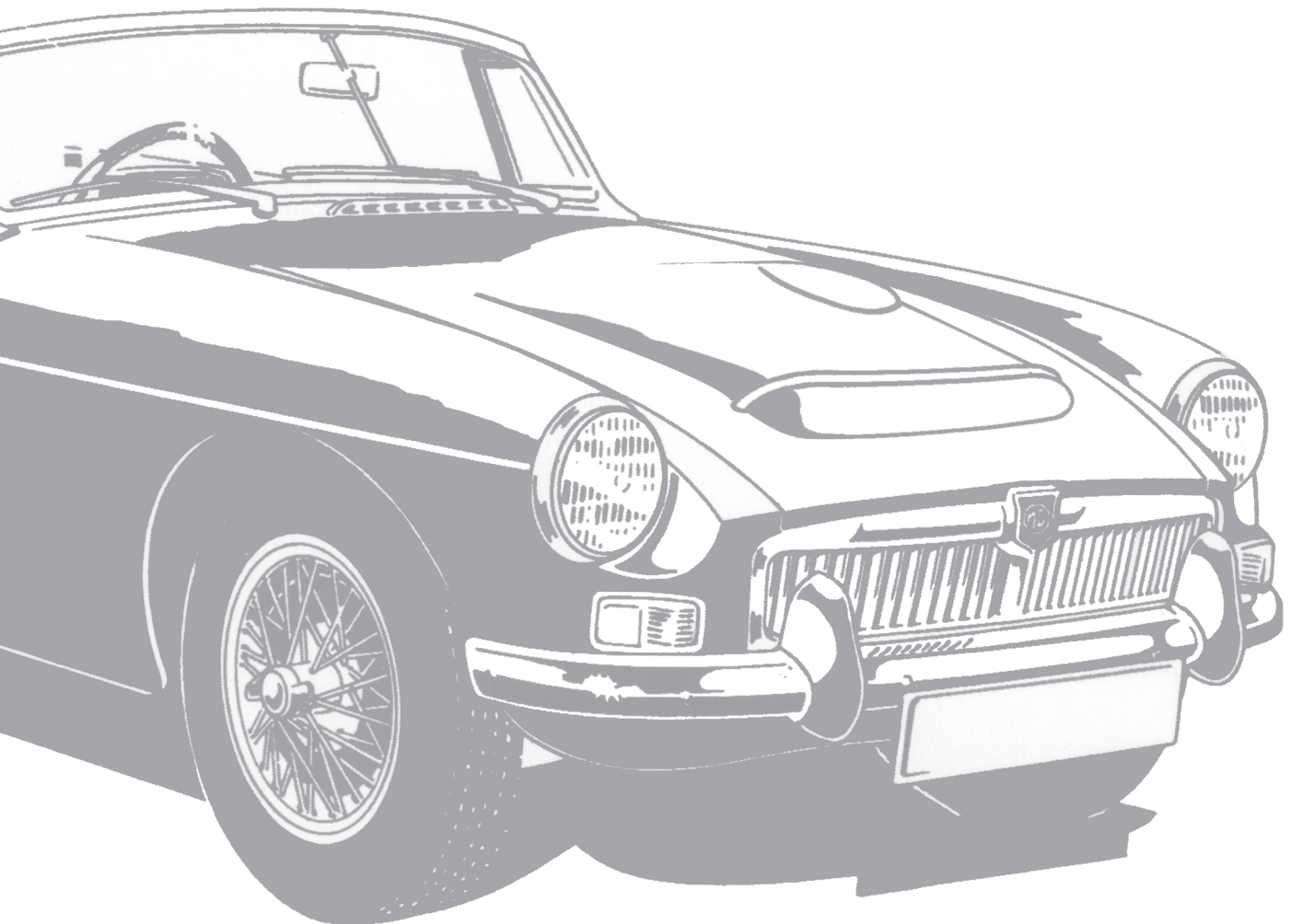




Parts Catalogue

MGC &
MGC GT



Buy online at... www.mgocspares.co.uk



MGOC Spares & Accessories
A department of the MG Owners Club



Thank you for viewing the MGOC Spares & Accessories Catalogue, featuring our unrivalled range of quality parts and accessories. We are sure that you will find this major club benefit valuable when ordering parts and maintaining your MG.

This Document contains the following:

- Fully illustrated Parts Supplement MGC and MGC GT models 1967 to 1969, designed to be used in conjunction with the MGOC Spares MGB and MGB GT Parts Catalogue
- The MGOC range of original MG parts, MGC performance upgrades and optional accessories
- MGOC PRICE LOOK UP System. Look up by part number and create your order to email, telephone, fax or post ***Not Available
- Useful web links to Buy Online at the foot of each parts list.

OUR SERVICE. We pride ourselves on offering the finest quality MG components available and continually strive to maintain our 5 Star level of service.

Our MGOC technical telephone personnel are MG enthusiasts, best placed to assist with any question relating to our products.

For full details of our terms & conditions of sale, warranty, returns, exchanges and exchange deposits [Click here](#).

Sales & Ordering

Tel: +44 (0)1954 230928 or +44 (0)1954 231318

Fax: +44 (0)1954 231923 or +44 (0)1954 231073

Email: sales@mgocspares.co.uk

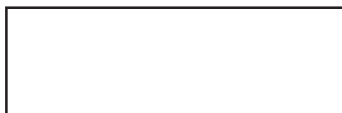
Buy Online at www.mgocspares.co.uk

MGOC Spares & Accessories.
Octagon House, Swavesey,
Cambridge
CB24 4QZ

© 2018 MGOC Spares Ltd

No part of this CD may be reproduced unless with prior written consent of MGOC Spares Ltd

Continue ►



MGOC Spares & Accessories is a department of MG Owners Club



MG trademark reproduced under BMH licence

ENGINE:

ENGINE TOP

ENGINE BOTTOM

HEAD ASSEMBLY

WATER PUMP/FANS

OIL COOLERS

ENGINE ELECTRICS

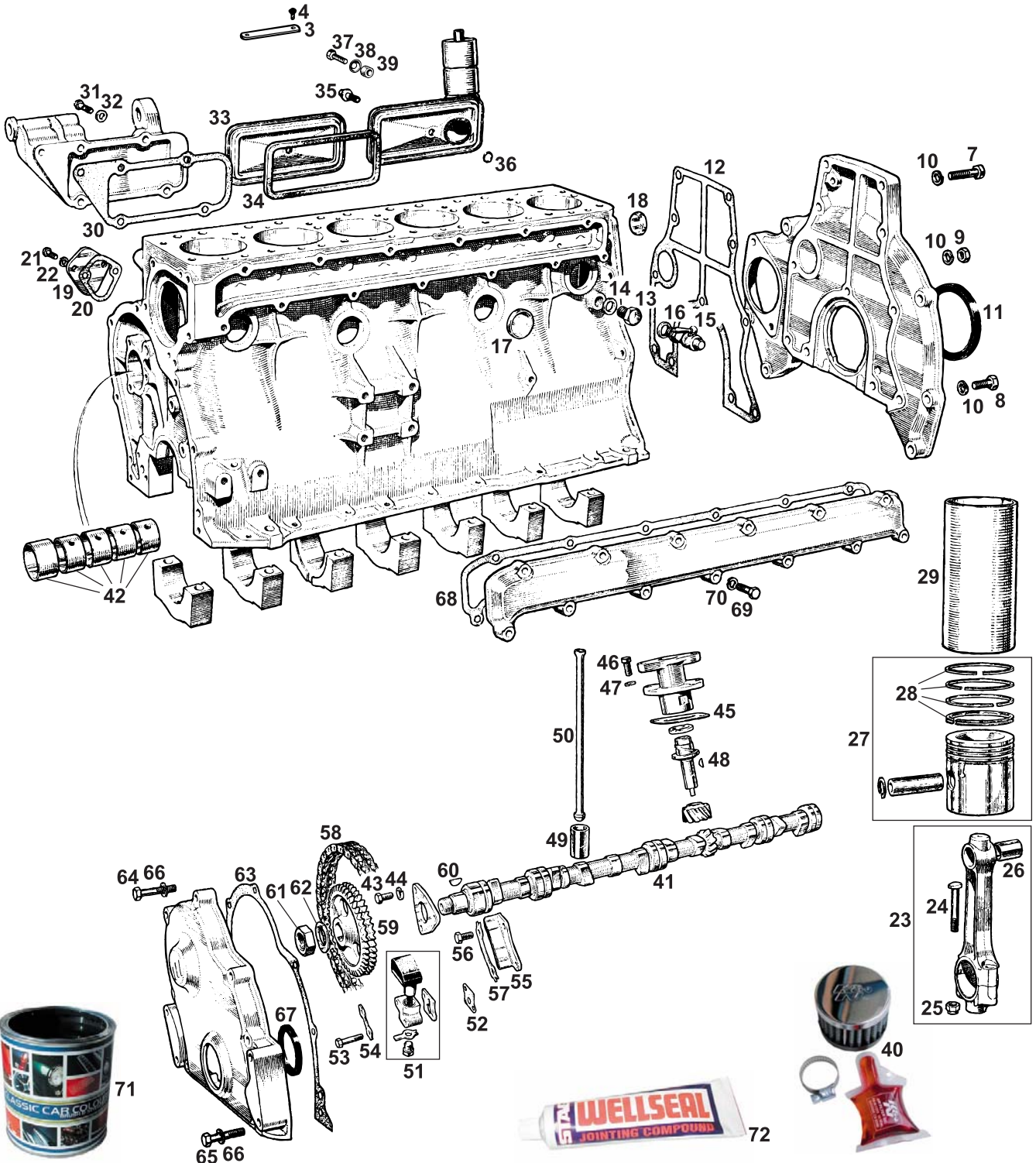
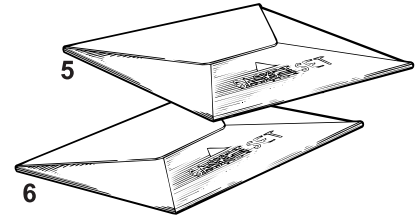
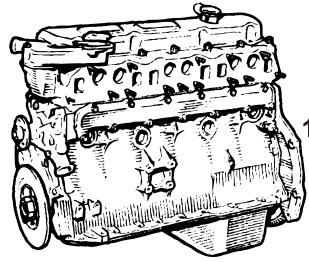
ENGINE CONTROLS

ENGINE MOUNTINGS





MGC & MGC GT



© 2007 MGOC Spares Ltd

Telephone: 01954 230928 Fax: 01954 231923, Email: sales@mgocspares.co.uk



- 1 68G347LF Engine - 2912cc - Lead Free - Exchange .1 29G unit, manual gearbox
- 1 68G355LF Engine - 2912cc - Lead Free - Exchange .1 29G unit, automatic gearbox

N.B. All standard engines listed are supplied less ancillaries (flywheel, starter motor, distributor, manifolds etc.). In some instances, due to a lack of serviceable core units, customers may be asked to provide their own units for reconditioning. Please contact our Spares Team for more information. 29GA units (USA, plus Canada from 1968) and 29GB units (France) may be considered for reconditioning, depending on parts availability - again, please contact our sales team for details.

- 2 G552 Engine - Club Stage 2 Performance1 29G units

N.B. Stage 2 engines include engine backplate, modified camshaft, gas flowed cylinder head, balanced flywheel, clutch, pistons, conrods and crankshaft, vernier duplex timing gears and a choice of increased capacities. They are guaranteed for 12 months (unlimited mileage). Full spec sheets are available.

- 3 BML2070 Engine Number Plate - Blank1
- 4 FAS2 Drive Screw - Number Plate2
- 5 GEG160 Gasket Set - Cylinder Head (Top End) . . .1

Includes gaskets for cylinder head, manifold, carburetters, air filters, rocker cover, filler neck and thermostat, plus valve stem oil seals.

- 6 GEG238 Gasket Set - Engine (Bottom End)1

Includes gaskets for front and rear engine plates, timing cover, oil pump and strainer, timing chain tensioner, sump, water pump, water manifold and tappet chest covers, heater elbow, distributor housing, fuel pump blanking plate, plus seals for oil drain plug and water drain tap.

- 7 SH606141 Screw - Backplate - Long2
- 8 GHF105 Screw - Backplate - Short6
- 9 GHF202 Nut1
- 10 GHF333 Washer - Spring9
- 11 LUF10002 Oil Seal - Crankshaft Rear1
- 12 12B1424 Gasket - Backplate1
- 13 53K2853 Plug - Drain - Cylinder Block1
- 14 6K638 Washer - Sealing1
- 15 3H576 Drain Tap1
- 16 ARH517 Washer - TapA/R
- 17 AEH592 Welch Plug - 1 5/8" dia.A/R
- 18 AEC876 Welch Plug - 1 5/16" dia.A/R
- 19 1G2443 Blanking Plate - Petrol Pump1
- 20 602180A Gasket - Blanking Plate1
- 21 GHF120 Screw2
- 22 GHF332 Washer - Spring2
- 23 8G2529 Con Rod Assembly - Reconditioned6
- 24 12B1457 Bolt - Con Rod12
- 25 AEC328 Nut - Con Rod12
- 26 88G464 Bush - Small End6
- 27 8G2576 Piston - Set of 6 - 2912cc1
- 28 8G2515 Piston Rings - Engine Set - 2912cc1

Alternative to plug
Use as many as required to shim the tap so that it points downwards

Customer's own unit reconditioned

} State Size Required STD/+20/+30/+40/+60

Piston and ring sets for original French market (2850cc) engines are usually not available 'off the shelf'. Please contact us for current availability.

- 29 AEC879 Cylinder Liner6
- 30 12B1349 Gasket - Side Cover - Front1
- 31 SH605091 Screw - Side Cover - Front5
- 32 AEC435 Washer - Sealing5
- 33 12A1386 Cover - Side - Centre1
- 34 12A1175B Gasket - Side Cover - Centre and Rear . . .2
- 35 53K1826 Screw - Side Cover - Centre and Rear . . .2
- 36 13H3755 O Ring - Screw2
- 37 SH605091 Screw1
- 38 12A1177 Washer - Cup1
- 39 12A1176 Oil Seal - Rubber1
- 40 G002 Engine Breather Filter - K&N1
- 41 12B2469E Camshaft - Reground - Exchange1
- 42 8G2518 Bearing Set - Camshaft1
- 43 GHF120 Screw - Cam Locating Plate3
- 44 GHF332 Washer - Spring3
- 45 12B1412 Gasket - Distributor Housing1
- 46 GHF103 Screw2
- 47 GHF332 Washer - Spring2
- 48 WKN505 Key - Distributor Gear1
- 49 12B1363 Cam Follower12
- 50 12B1364 Pushrod12
- 51 EAC3629 Tensioner Assembly - Timing Chain1
- 52 AEC339B Gasket - Tensioner1
- 53 SH604101 Screw2
- 54 AEC340 Locktab - Screw1
- 55 12B1432 Damper - Timing Chain1
- 56 GHF120 Screw2
- 57 12B1434 Locktab - Screw1
- 58 12B1430 Timing Chain1
- 59 12B1429 Gear - Camshaft1
- 60 WKN606 Woodruff Key - Camshaft1
- 61 AEC247 Nut - Camshaft1
- 62 1B1219 Locktab1
- 63 12B1336 Gasket - Timing Cover1
- 64 BH605141 Bolt - Timing Cover - Long5

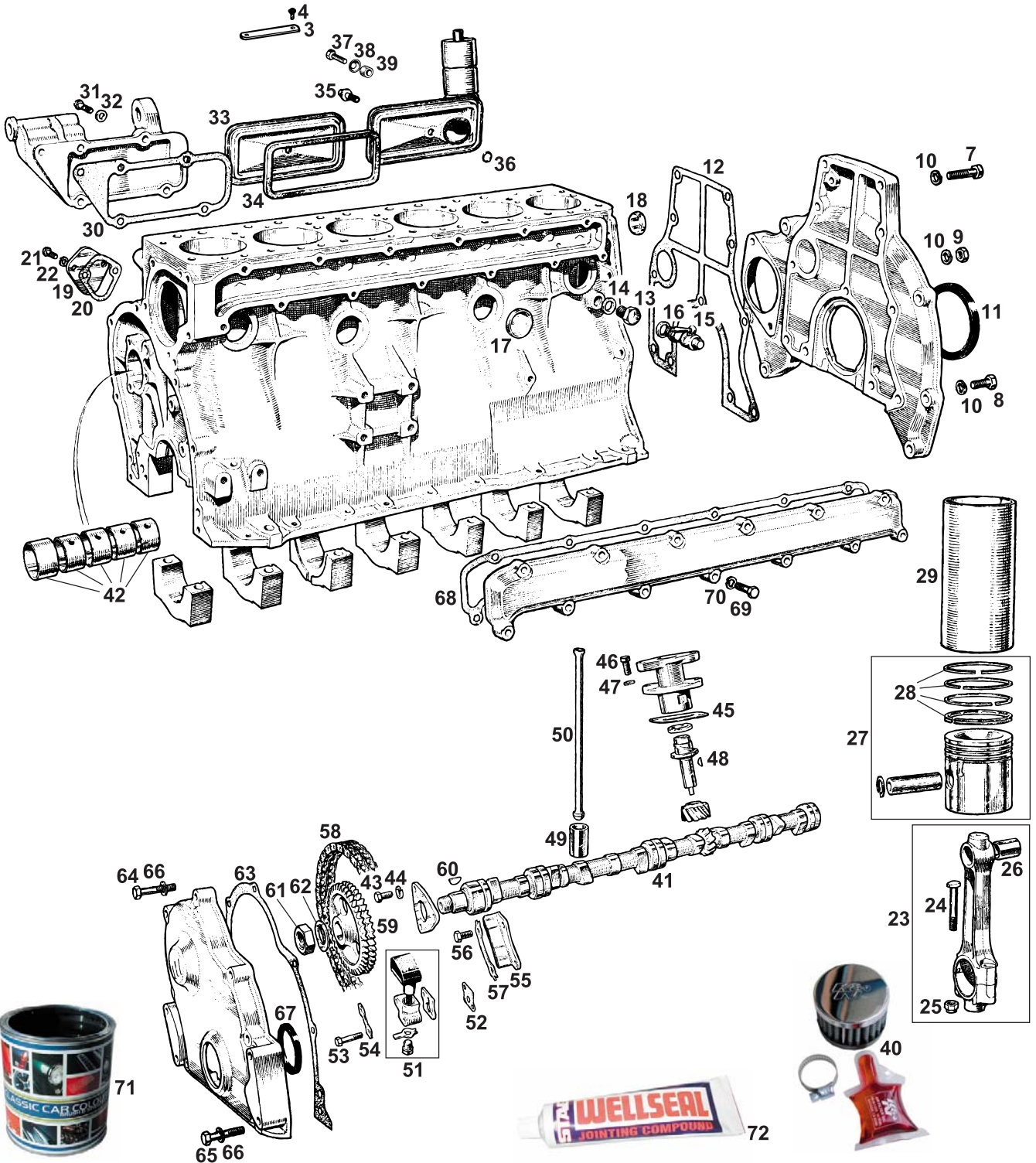
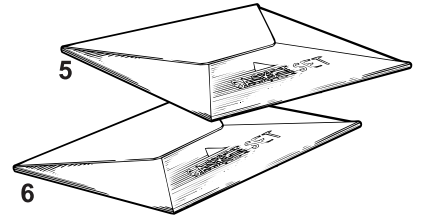
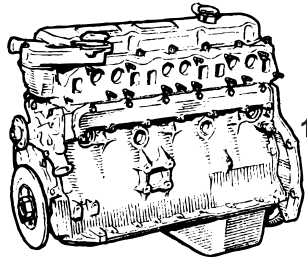
} Original centre and rear side cover fixing method

} Alternative centre and rear side cover fixing method

Use if desired to replace positive crankcase ventilation (PCV) system
Customer's own unit reconditioned



MGC
&
MGC GT



© 2007 MGOC Spares Ltd

Telephone: 01954 230928 Fax: 01954 231923, Email: sales@mgocspares.co.uk



MGC & MGC GT

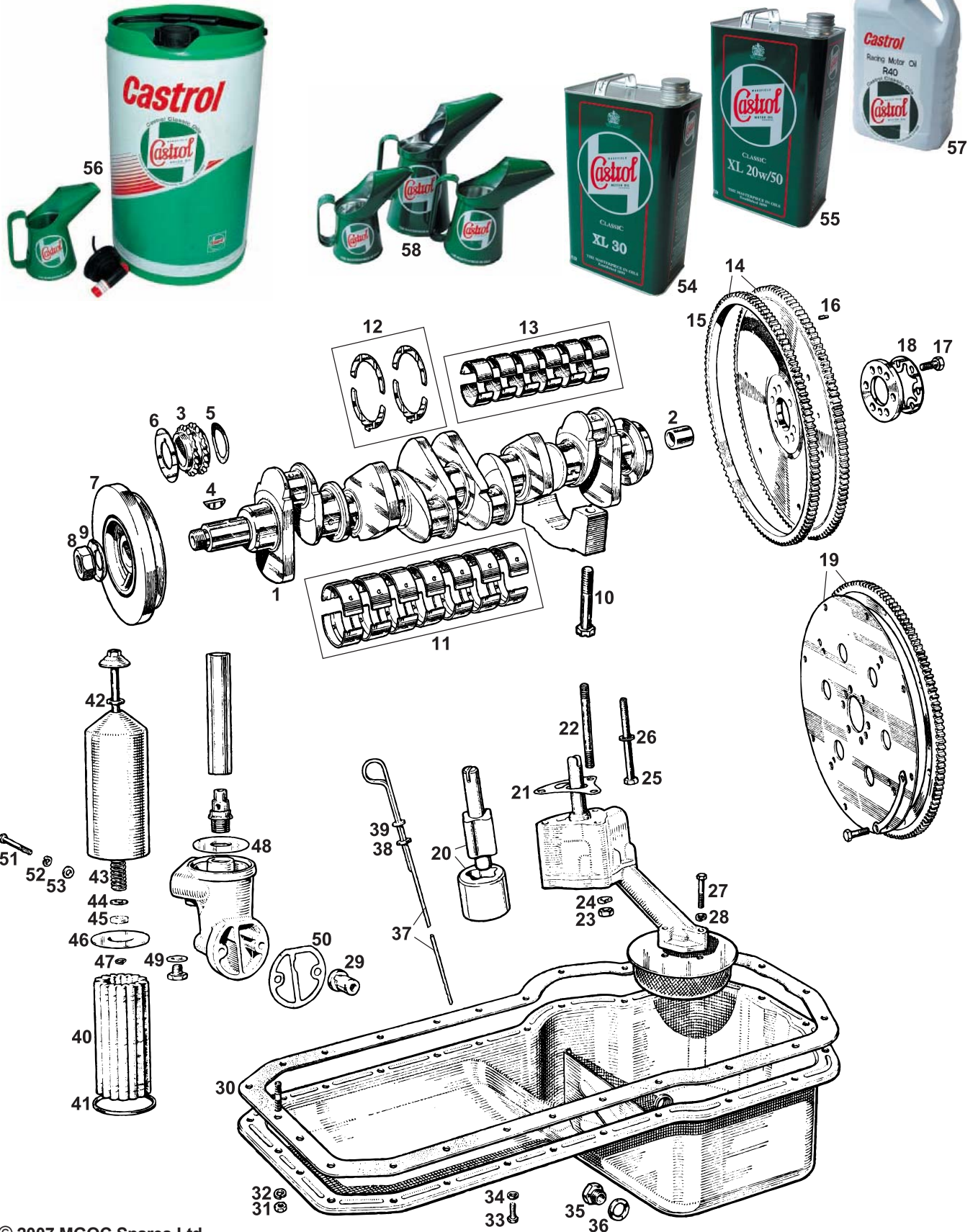


65	BH605131	Bolt - Timing Cover - Short2	
66	GHF332	Washer - Spring7	
67	AEC621	Oil Seal - Timing Cover1	
68	12B1333	Gasket - Water Manifold Cover1	
69	BH605101	Screw - Water Manifold Cover13	
70	GHF332	Washer - Spring13	
71	A030	Engine Paint - Black	A/R
71	A031	Engine Paint - Red	A/R
71	A032	Engine Paint - BMC Green	A/R
71	A033	Engine Paint - MGC Green	A/R
72	A140	Wellseal Jointing Compound - 100ml Tube	A/R	Non-hardening, non-flammable compound

**Telephone: 01954 230928 Fax: 01954 231923, Email: sales@mgocspares.co.uk
Buy Online at www.mgocspares.co.uk**



**MGC
&
MGC GT**



© 2007 MGOC Spares Ltd

Telephone: 01954 230928 Fax: 01954 231923, Email: sales@mgocspares.co.uk



1	68G349E	Crankshaft - Reground - Exchange	1
1	68G350E	Crankshaft - Reground - Exchange	1
2	12H1630	Spigot Bush	1
2	12B1397	Spigot Bush	1
3	12B1980	Gear - Crankshaft	1
4	WKN608	Woodruff Key - Crankshaft	2
5	2K8725	Shim - Packing	A/R
6	12B1436	Oil Thrower	1
7	12B1437	Pulley - Crankshaft - With Damper	1
7	12B1894	Pulley - Crankshaft - With Damper	1
8	12B2072	Nut - Crank Pulley	1
9	12B681	Lock Washer - Crank Pulley	1
10	12B2356	Screw - Main Bearing Cap	14
11	8G2517	Bearing Set - Main	1
12	BHM3000	Thrust Washer Set	1
13	8G2516	Bearing Set - Big End	1
14	22B306E	Flywheel and Ring Gear - Exchange	1
15	22B554	Ring Gear	1
16	1G2984	Dowel - Clutch to Flywheel	3
17	12B2290	Screw - Flywheel to Crankshaft	6
18	12B681	Locktab	1
19	12B2084	Drive Plate Assembly	1

Manual gearbox; customer's own unit reconditioned
Automatic gearbox; customer's own unit reconditioned
Manual gearbox
Automatic gearbox

29G units (not USA; not Canada 1968 on)
29GA units (USA; Canada 1968 on)

State Size Required STD/10/20/30/40
State Size Required STD/005
State Size Required STD/10/20/30/40
Manual gearbox ; customer's own unit reconditioned

Manual gearbox

Automatic gearbox

The automatic drive plate (or 'flexplate') and its ring gear and fixings have become very scarce items. Please contact MGOC Spares if you require any of these items and we will strive to source them on your behalf.

20	12B1467X	Repair Kit - Oil Pump	1
21	12B1468	Gasket - Oil Pump	1
22	FHS2528	Stud - Oil Pump Securing	3
23	GHF201	Nut	3
24	GHF332	Washer - Spring	3
25	8G2579	Bolt - Oil Pump Securing	3
26	PWZ205	Washer - Plain	3

Early type pump fixing

Late type pump fixing

The later type oil pump fixing bolt is not available; however the early type of fixing using studs, spring washers and nuts may be used instead.

27	BH604101	Bolt - Strainer to Pump	3
28	GHF331	Washer - Spring	3
29	13H5727	Valve Assembly - Oil Pressure Relief	1
30	GEG525	Gasket - Sump	1
31	NT604041	Nut - Sump - Front	4
32	GHF331	Washer - Spring	4
33	SH604041	Screw - Sump	21
34	GHF321	Washer - Shakeproof	21
35	2H4685	Drain Plug - Sump	1
36	AEC699	Washer - Sealing	1
37	12B1461	Dipstick Assembly	1
38	AEC671	Washer - Dipstick - Rubber	1
39	PWZ204	Washer - Dipstick - Plain	1
40	48G171	Oil Filter - Felt	1
40	GFE104	Oil Filter - Paper Element	1
41	13H998	Ring - Sealing Oil Filter Cannister	1
42	37H1173	Seal - Centre Bolt	1
43	7H1764	Spring - Pressure Plate	1
44	7H1765	Washer - Plain - Metal	1
45	7H1758	Washer - Plain - Felt	1
46	17H846	Plate - Pressure - Upper	1
47	7H1952	Circlip	1
48	MM021-438	Plate - Pressure - Lower	1
49	27H9377	Washer - Sealing	1
50	12B1465	Gasket - Oil Filter Head to Block	1
51	BH606221	Bolt - Oil Filter Head to Block	2
52	GHF333	Washer - Spring	2
53	PWZ206	Washer - Plain	2
54	G601	Castrol Classic XL30 - 4.5 Litres	A/R
	G611	Castrol Classic XL30 - 25 Litres	A/R
55	G600	Castrol Classic XL 20w/50 - 4.5 Litres	A/R
56	G610	Castrol Classic XL 20w/50 - 25 Litres	A/R

Alternative to paper element
Alternative to felt

Monograde engine oil for earlier MGs

Low detergent classic multigrade engine oil
Supplied with 1 pint jug and drum tap

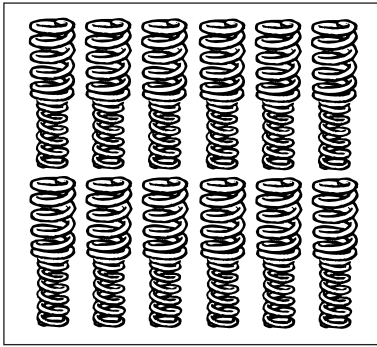
XL 20w/50, XL30 and Formula RS are all available in home workshop 25 litre drums. Delivery is free (UK mainland). The most economical supply of quality engine oil for your MG.

57	G605	Castrol Classic R40 - 4.5 Litres	A/R
	G606	Castrol Formula RS 10w/60 - 20 Ltr Only	A/R
	G657	Castrol Running In Oil - 5 Litres	A/R
58	G700 on	Castrol Classic Pouring Jug	A/R

High performance castor-based engine oil with distinctive aroma
High performance fully synthetic engine oil
First fill for remanufactured engines
Half, one or two pint sizes, or set of three



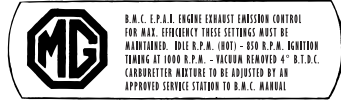
**MGC
&
MGC GT**



30

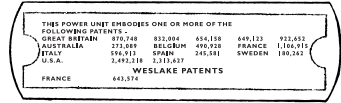


1



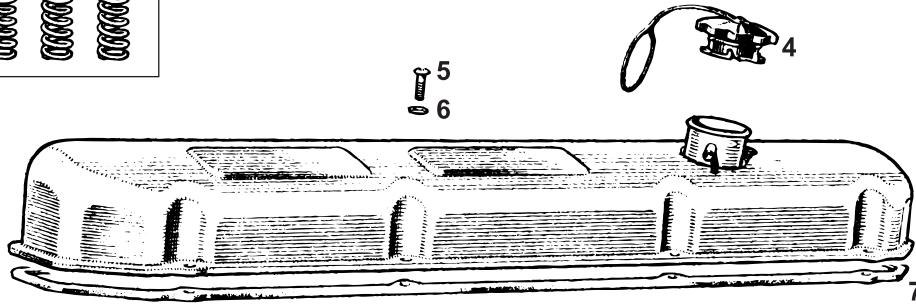
2

B.M.C. L.P.A.B. ENGINE EXHAUST EMISSION CONTROL FOR MAX. EFFICIENCY THESE SETTINGS MUST BE MAINTAINED. IDLE R.P.M. (100) - 850 R.P.M. LIGHTNING TANKING AT 1000 R.P.M. - VACUUM REMOVED 4" B.T.D.C. CARBURETTOR MIXTURE TO BE ADJUSTED BY AN APPROVED SERVICE STATION TO B.M.C. MANUAL

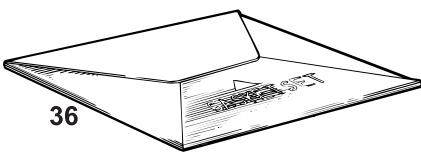
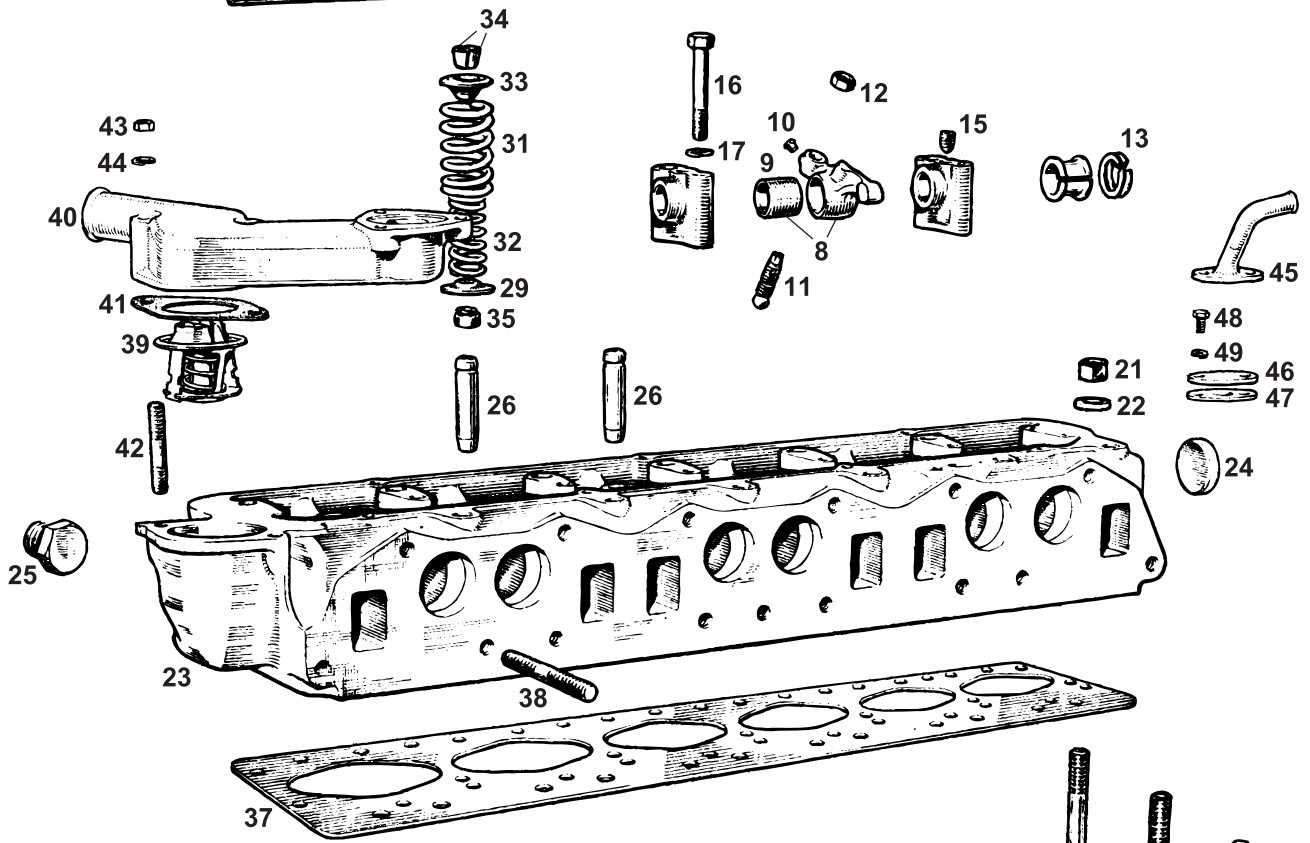


3

THE POWER UNIT EMBODIES ONE OR MORE OF THE FOLLOWING PATENTS -
 GREAT BRITAIN 1,571,740 1939/40 544,510 1942/43
 AUSTRALIA 272,049 1952/53 BELGIUM 490,938 1954/55 FRANCE 1,104,915 1955/56
 ITALY 548,912 1956/57 SWEDEN 745,581 1958/59 U.S.A. 2,492,218 2,512,837
 FRANCE 643,574 WESLAKE PATENTS



14



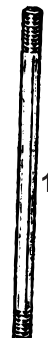
36



28



27



18



19



20



MGC & MGC GT

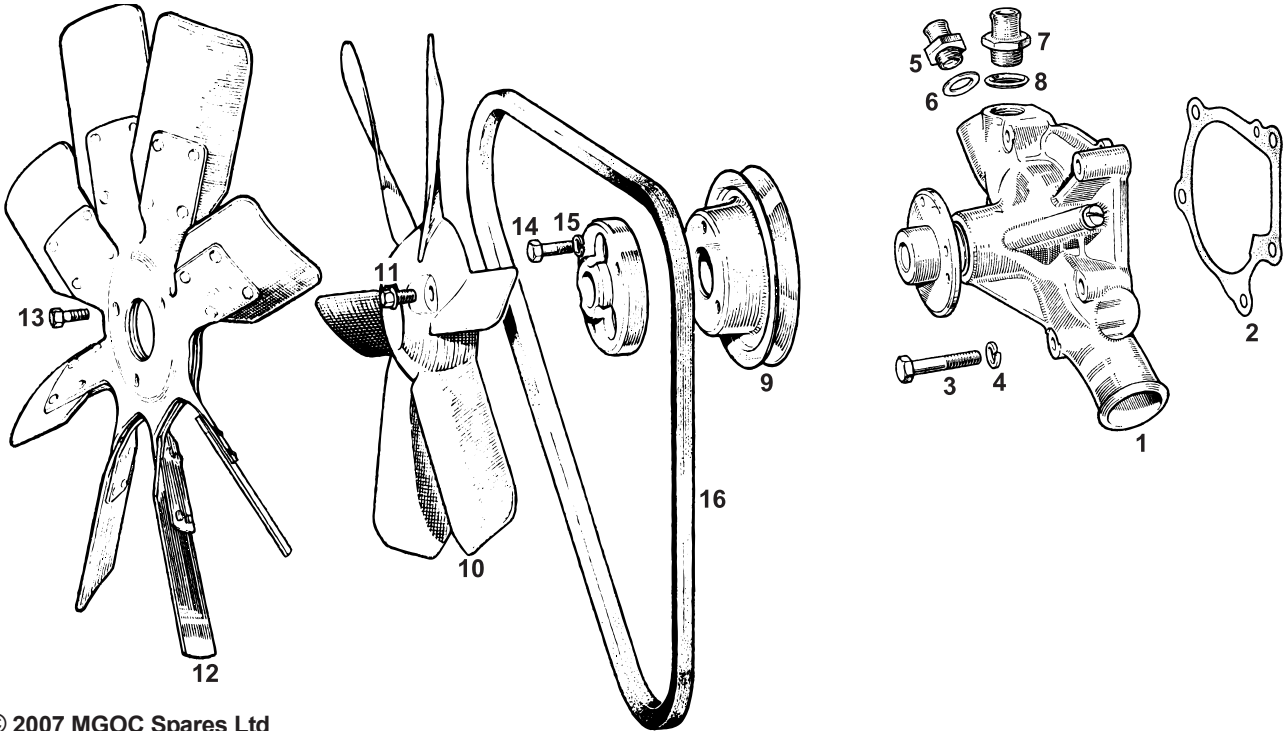


1	BML1005	Label - Rocker Cover - 'MG'	1	Not USA, Canada
2	CRST133	Label - Rocker Cover - Emissions	1	USA, Canada
3	BML1007	Label - Rocker Cover - Patent	1	
4	12A402	Oil Filler Cap	1	
5	SE604051	Screw - Rocker Cover to Cylinder Head ..	7	
6	PWZ204	Washer - Plain	7	
7	GEG419	Gasket - Rocker Cover	1	
8	12B1356	Rocker Arm Assembly	12	
9	12B1410	Bush - Rocker Arm	12	
10	2K4608	Rivet - Bush	12	
11	48G207	Screw - Tappet Adjusting	12	
12	FNZ505	Lock Nut	12	
13	2K2564	Washer - Double Coil	6	
14	12B1351	Rocker Shaft	1	
15	12G584	Grub Screw - Shaft Locating	1	
16	BH605201	Bolt - Rocker Pedestal to Head	7	
17	GHF332	Washer - Spring	7	
18	12B1329	Stud - Cylinder Head - Long	7	
19	12B2535	Stud - Cylinder Head - Medium	2	
20	12B1330	Stud - Cylinder Head - Short	5	
21	AEC139	Nut - Cylinder Head	14	
22	12B2246	Washer - Cylinder Head Nut	14	
23	68G348LF	Cylinder Head - Lead Free - Exchange ..	1	Not USA, Canada
N.B. The cylinder head listed is lead free and is supplied with guides, valves and springs. USA and Canadian heads designed for air injection may also be reconditioned on a 'customer's own unit' basis.				
24	AEC876	Welch Plug	1	
25	ADP210	Plug - Thermal Transmitter Boss	1	
26	12B1339	Valve Guide - Inlet and Exhaust	12	
26	TMG10796	Valve Guide - Inlet and Exhaust	12	Silicon Bronze
27	12B1342	Valve - Inlet	6	
28	88G466	Valve - Exhaust	6	
29	1H726	Seat - Valve Spring	12	
30	12B1344K	Spring Set - Valves	1	
31	12H1679	Valve Spring - Outer	12	
32	12B1344	Valve Spring - Inner	12	
33	12H3309	Valve Cap	12	
34	AHU1709	Cotter - Pair	12	
35	12B2104	Oil Seal - Valve Stem	12	
36	GEG160	Gasket Set - Cylinder Head (Top End) ..	1	
Includes gaskets for cylinder head, manifold, carburetters, air filters, rocker cover, filler neck and thermostat, plus valve stem oil seals.				
37	AJM323B	Gasket - Head	1	
38	FHS2614	Stud - Manifold to Head	15	
39	GTS102	Thermostat - 74°C - Hot	1	
39	GTS104	Thermostat - 82°C - Standard	1	
39	GTS106	Thermostat - 88°C - Cold	1	
40	12B1814	Housing - Thermostat	1	
41	115467	Gasket - Thermostat	1	
42	FHS2520	Stud - Thermostat Housing	2	
43	FNZ505	Nut	2	
44	GHF331	Washer - Spring	2	
45	CHA349	Elbow - Heater Outlet	1	
46	1G1282	Blanking Plate - Heater Outlet	1	When heater not fitted
47	12H3868	Gasket - Elbow or Blanking Plate	1	
48	SH604051	Screw	2	
49	GHF331	Washer - Spring	2	

**Telephone: 01954 230928 Fax: 01954 231923, Email: sales@mgocspares.co.uk
Buy Online at www.mgocspares.co.uk**



**MGC
&
MGC GT**



© 2007 MGOC Spares Ltd



Telephone: 01954 230928 Fax: 01954 231923, Email: sales@mgocspares.co.uk



**MGC
&
MGC GT**



1	GWP111	Water Pump Assembly - New	1	Supplied without adaptors
2	12B1446	Gasket - Water Pump	1	
3	BH605131	Bolt - Water Pump Attachment	5	
4	GHF332	Washer - Spring	5	
5	12A922	Adaptor - Heater System	1	
6	267604	Washer - Sealing	1	
7	12B1444	Adaptor - Bypass	2	
8	12B1445	Washer - Sealing	2	
9	12B1447	Pulley - Water Pump	1	
10	13H3635	Fan - Plastic - 6 Blade	1] Not USA; not Canada 1968 on
11	53K1839	Screw - Fan to Spacer	3	
12	13H4988	Fan - Metal - 8 Blade	1] USA; Canada 1968 on
13	SH505091	Screw - Fan to Spacer	3	
14	SH605111	Screw - Spacer to Pulley	3	
15	GHF332	Washer - Spring	3	
16	GCB21075	Fan Belt	1	
17	G112	Kenlowe Fan Kit	1	

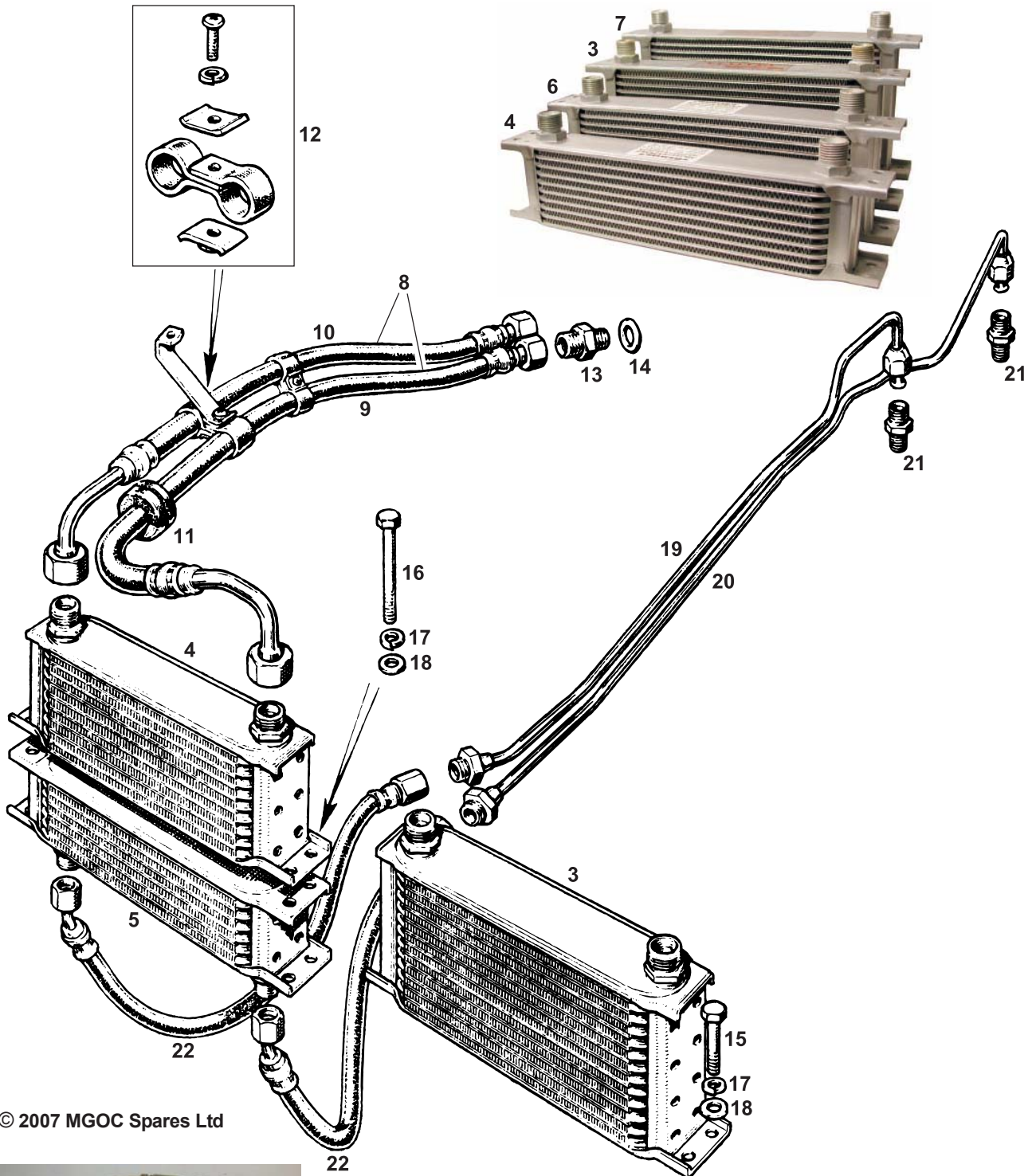
The Kenlowe electric fan replaces existing fan blades and operates thermostatically - it cuts in only when required, allowing full warm-up of the engine. It also increases engine power and reduces noise.

18	G119	Fan Thermo-Switch Kit	1	Fits in top hose to activate fan when required.
----	------	-----------------------	---	---

**Telephone: 01954 230928 Fax: 01954 231923, Email: sales@mgocspares.co.uk
Buy Online at www.mgocspares.co.uk**



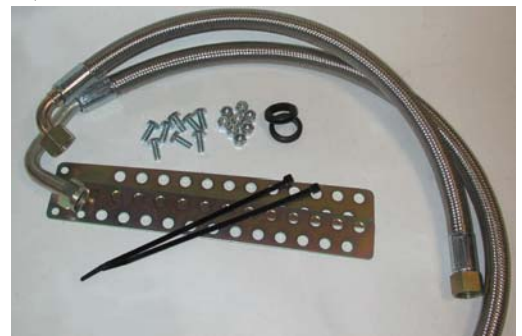
MGC & MGC GT



© 2007 MGOC Spares Ltd



1



2

Telephone: 01954 230928 Fax: 01954 231923, Email: sales@mgocspares.co.uk



- 1 G172 Oil Cooler Kit - Engine Oil 1
- 2 G204 Oil Cooler Kit - Engine Oil 1

Oil cooler kits include a 16 row oil cooler, a pair of hoses (rubber or stainless braided) plus connections and fixings. The fixings may not all be the same as those used with original, factory-fitted MGC oil coolers.

- Manual gearbox models; rubber hoses
- Manual gearbox models; stainless braided hoses

Oil cooler kits include a 16 row oil cooler, a pair of hoses (rubber or stainless braided) plus connections and fixings. The fixings may not all be the same as those used with original, factory-fitted MGC oil coolers.

- 3 G122 Oil Cooler - 16 Row - Engine 1
- 4 G120 Oil Cooler - 10 Row - Engine 1
- 5 ARO9804 Oil Cooler - 7 Row - Gearbox 1
- 6 G121 Oil Cooler - 13 Row 1
- 7 G123 Oil Cooler - 19 Row 1
- 8 G137 Hoses - Engine Oil Cooler - Pair 1
- 8 G157 Hoses - Engine Oil Cooler - Pair 1
- 9 AHC323 Hose - Engine Oil Cooler - Long 1
- 9 AHC323S Hose - Engine Oil Cooler - Long 1
- 10 AHC324 Hose - Engine Oil Cooler - Short 1
- 10 AHC324S Hose - Engine Oil Cooler - Short 1
- 11 AHA8401 Grommet - Long Hose 1
- 12 AHH6866K Hose Strap Kit 2
- 13 AHH6701 Adaptor - Hose 1
- 14 6K431B Washer - Sealing 1
- 15 BH604141 Bolt - Engine Oil Cooler 4
- 16 BH604221 Bolt - Engine and Gearbox Oil Coolers . . . 4
- 17 GHF331 Washer - Spring 4
- 18 GHF300 Washer - Plain 4
- 19 AHC391 Pipe - Gearbox Oil Cooler - Short 1
- 20 AHC392 Pipe - Gearbox Oil Cooler - Long 1
- 21 AHC394 Adaptor - Pipes 2
- 22 AHC335 Hose - Gearbox Oil Cooler 2
- 22 AHC335S Hose - Gearbox Oil Cooler 2

- Manual gearbox models
- Automatic gearbox models
- Automatic gearbox models
- Alternative
- Alternative for tuned engines or very hot climates
- Rubber original
- Stainless braided alternative
- Rubber original
- Stainless braided alternative
- Rubber original
- Stainless braided alternative

- Manual gearbox models
- Automatic gearbox models

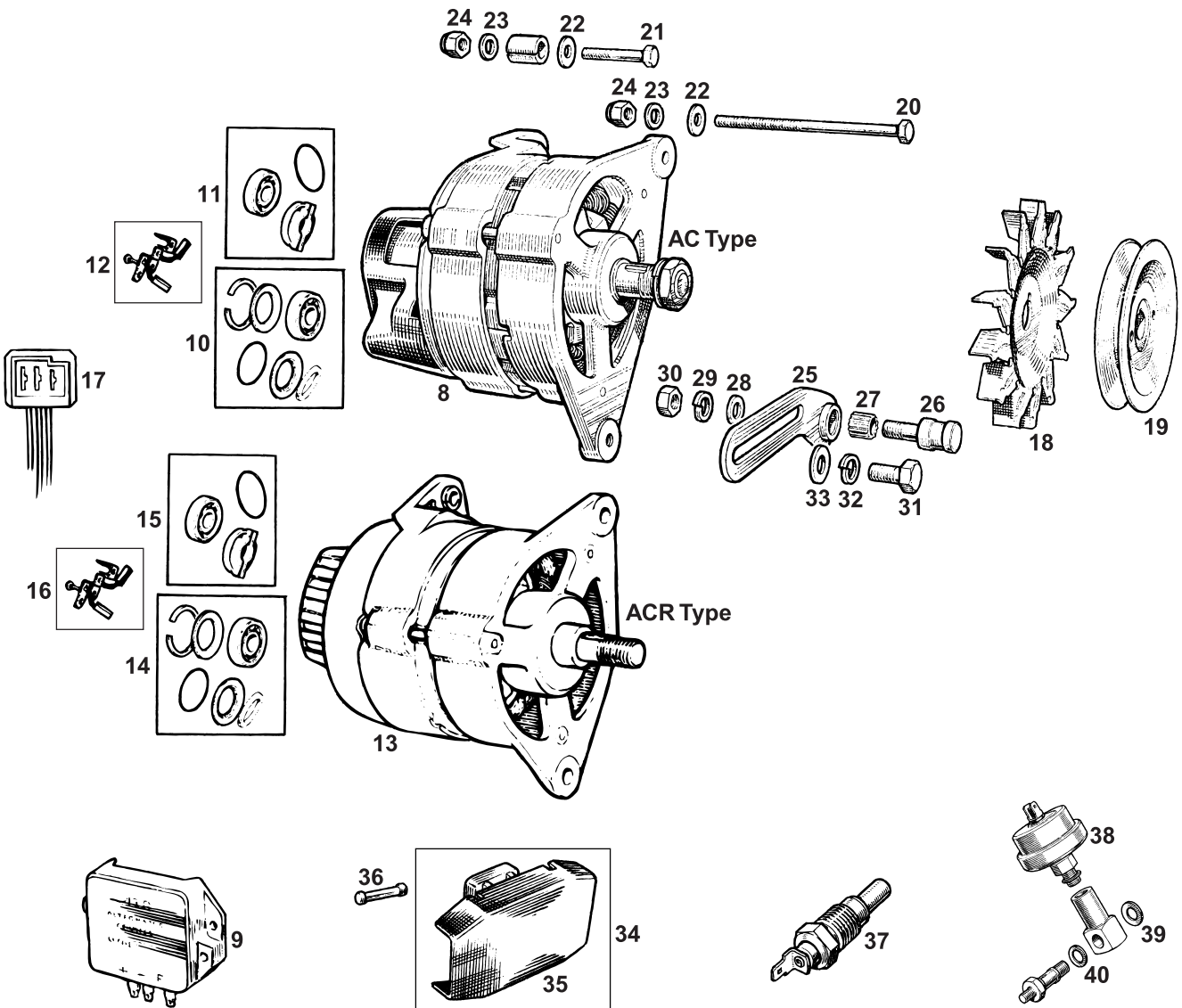
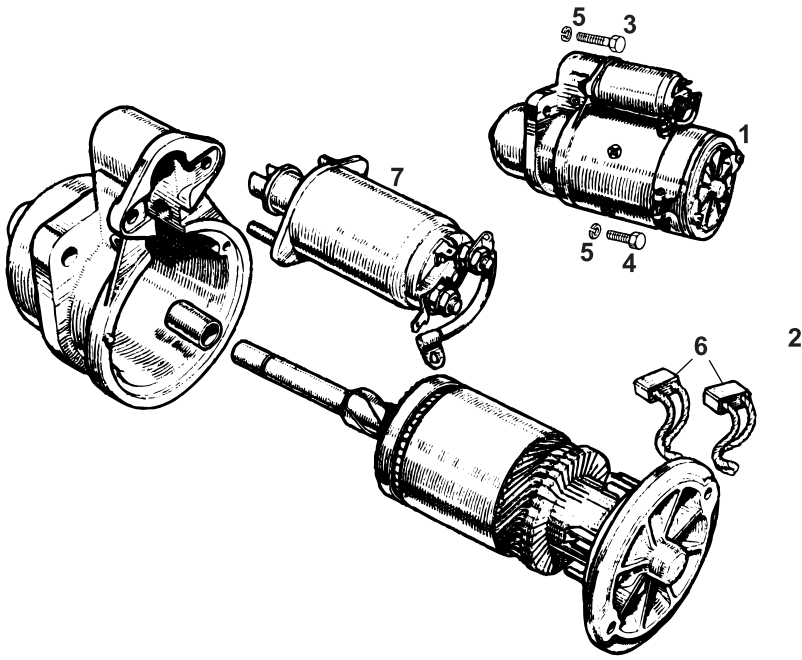
} Automatic gearbox models

- Rubber original; automatic gearbox models
- Stainless braided alternative; automatic gearbox models

**Telephone: 01954 230928 Fax: 01954 231923, Email: sales@mgocspares.co.uk
Buy Online at www.mgocspares.co.uk**



MGC & MGC GT



© 2007 MGOC Spares Ltd

Telephone: 01954 230928 Fax: 01954 231923, Email: sales@mgocspares.co.uk



- 1 13H3300E Starter Motor - Reconditioned Exchange ... 1
- 2 13H3300X Starter Motor - Hi-Torque - New 1

The Hi-Torque starter motor is reduction geared, delivering 200% more torque and using 50% less current. It cranks the engine faster and drains less battery power. Compact and lightweight, it is fitted with a direct acting solenoid.

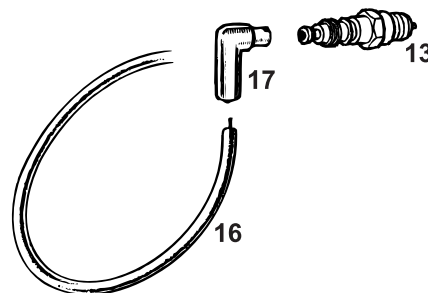
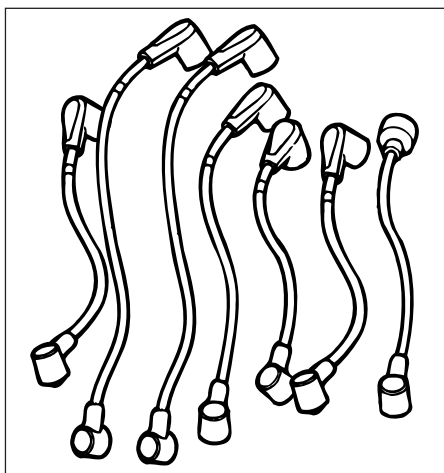
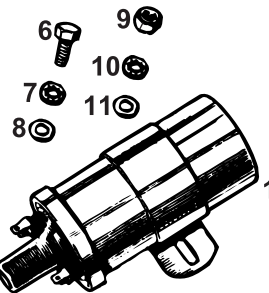
- 3 BH606221 Bolt - Starter to Gearbox - Long 1
- 4 SH606111 Screw - Starter to Gearbox - Short 1 Manual gearbox
- 4 SH606091 Screw - Starter to Gearbox - Short 1 Automatic gearbox
- 5 GHF333 Washer - Spring 2
- 6 GSB103 Brush Kit - Starter Motor 1
- 7 AEU1649 Solenoid Assembly 1 } Not Hi-Torque unit

MGCs were originally equipped with 16AC or 16ACR alternators. The most obvious visual difference between the two is the location of the regulator ('control box'). On AC-equipped cars the regulator is attached to the car body and the alternator has a black plastic moulding which only covers half of the back of the unit. By contrast, the ACR type alternator contains its own regulator, hidden within a full-width cover on the back of the unit.

Parts with which to rebuild AC type alternators are increasingly hard to come by, and it is sometimes now more effective in time and money to replace a malfunctioning AC alternator with a later ACR type, by-passing the then-redundant AC alternator's regulator in the car at the same time and converting the car's wiring harness with a GEU250 Euro termination kit to enable the ACR alternator to be plugged in. This process is not entirely straight forward, requiring a fair degree of knowledge of car charging circuit wiring systems. If the description above sets fear in your heart you should entrust the conversion work to a well recommended auto electrician.

- 8 37H2245E Alternator - Exchange 1 AC (external regulator) type. Please see notes above.
- 9 BHA4789 Regulator (control box) - External 1 For use with AC alternators only
- 10 529221A Bearing - Front 1
- 11 18G8620 Bearing - Rear 1 } AC alternator
- 12 GGB503 Brush Kit - Alternator 1
- 13 GEU208E Alternator - Exchange 1 ACR (internal regulator) type
- 13 GEU208RE Alternator - Exchange 1 ACR (internal regulator) type; alternative
- 14 18G8619 Bearing - Front 1 ACR alternators (MGC original fitment Lucas 23566A units only)
- 15 18G8620 Bearing - Rear 1 } ACR alternators
- 16 GGB504 Brush Kit - Alternator 1
- 17 GEU250 Plug Kit - Euro Termination 1 ACR alternators; also required if converting from AC to ACR
- 18 C37222 Fan - Alternator 1
- 19 12H1578 Pulley 1
- 20 BH605401 Bolt - Alternator to Side Cover - Front 1
- 21 BH605141 Bolt - Alternator to Side Cover - Rear 1
- 22 GHF301 Washer - Plain 2
- 23 PWZ305 Washer - Plain 2
- 24 GHF222 Nut - Nyloc 2
- 25 12B1451 Link - Adjusting 1
- 26 12B1415 Pillar - Adjusting Link 1
- 27 13H3298 Ring - Tolerance 1
- 28 PWZ205 Washer - Plain 1
- 29 GHF332 Washer - Spring 1
- 30 GHF201 Nut 1
- 31 SH505071 Screw - Alternator to Link 1
- 32 GHF332 Washer - Spring 1
- 33 PWZ305 Washer - Plain - Small 1
- 34 606253 Fuse Box - 2 Fuse Type 1
- 35 505158 Cover - Fuse Box 1
- 36 GFS3035S Fuse - 35 Amp A/R
- 36 GFS3050S Fuse - 50 Amp A/R
- 37 GTR104 Transmitter - Water Temperature 1 USA; Canada 1968 on
- 38 13H3819 Switch - Oil Pressure 1
- 39 233220 Washer - Sealing - Banjo to Engine 1
- 40 6K638 Washer - Sealing - Bolt to Banjo 1

Telephone: 01954 230928 Fax: 01954 231923, Email: sales@mgocspares.co.uk
Buy Online at www.mgocspares.co.uk





**MGC
&
MGC GT**



1	GCL110	Coil - Push In HT Lead	1	Original type
2	G101	Coil - Lucas Sports - Push In HT Lead	1	For stronger spark, better economy and performance
3	G283	MS3 High Energy Coil	1	High power coil for use with Magnetronic electronic ignition
4	G284	MS4 High Energy Coil	1	High power coil for use with Optroncronic electronic ignition
5	LMG1091	Decal - Coil - Lucas	1	
6	SH605051	Screw - Coil to Wheel Arch	2	
7	GHF332	Washer - Spring	2	} Not USA; not Canada 1968 on
8	GHF301	Washer - Plain	2	
9	GHF200	Nut - Coil Attaching	2	} USA; Canada 1968 on
10	GHF331	Washer - Spring	2	
11	PWZ204	Washer - Plain	2	
12	K019	Custom Coil Cover - Stainless Steel	1	
13	GSP4362	Spark Plug - Standard N9YC Type	6	
13	BP6ES	Spark Plug - NGK Type	6	
14	G098	Spark Plug - NGK Gold	6	With gold palladium electrodes for premium performance
14	G095	Spark Plug - 'Softer'	6	For tuned long-stroke engines. Helps prevent run-on
15	GHT1001	HT Lead Kit	1	
16	AAA5981M	HT Lead - Copper Core	A/R	
17	3H1422	Cap - Spark Plug - Suppressed	6	Sold per metre

**Telephone: 01954 230928 Fax: 01954 231923, Email: sales@mgocspares.co.uk
Buy Online at www.mgocspares.co.uk**



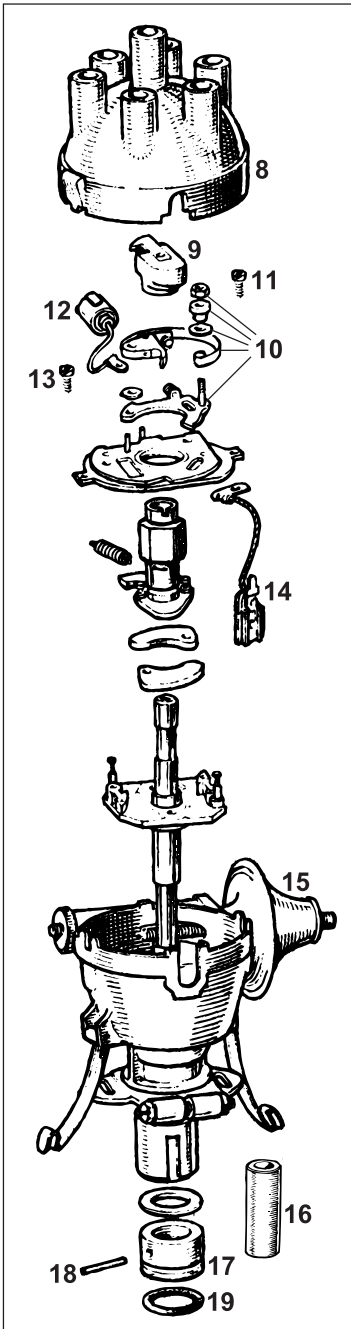
MGC & MGC GT



2



3



1



4



5



6



7



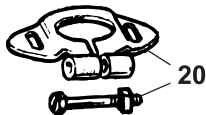
21



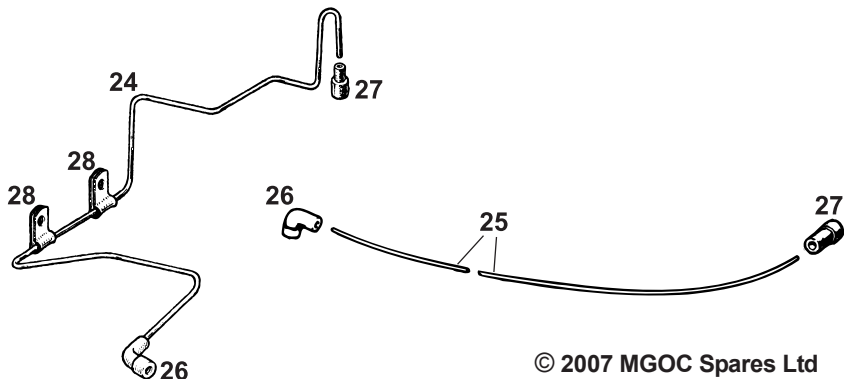
22



23



20



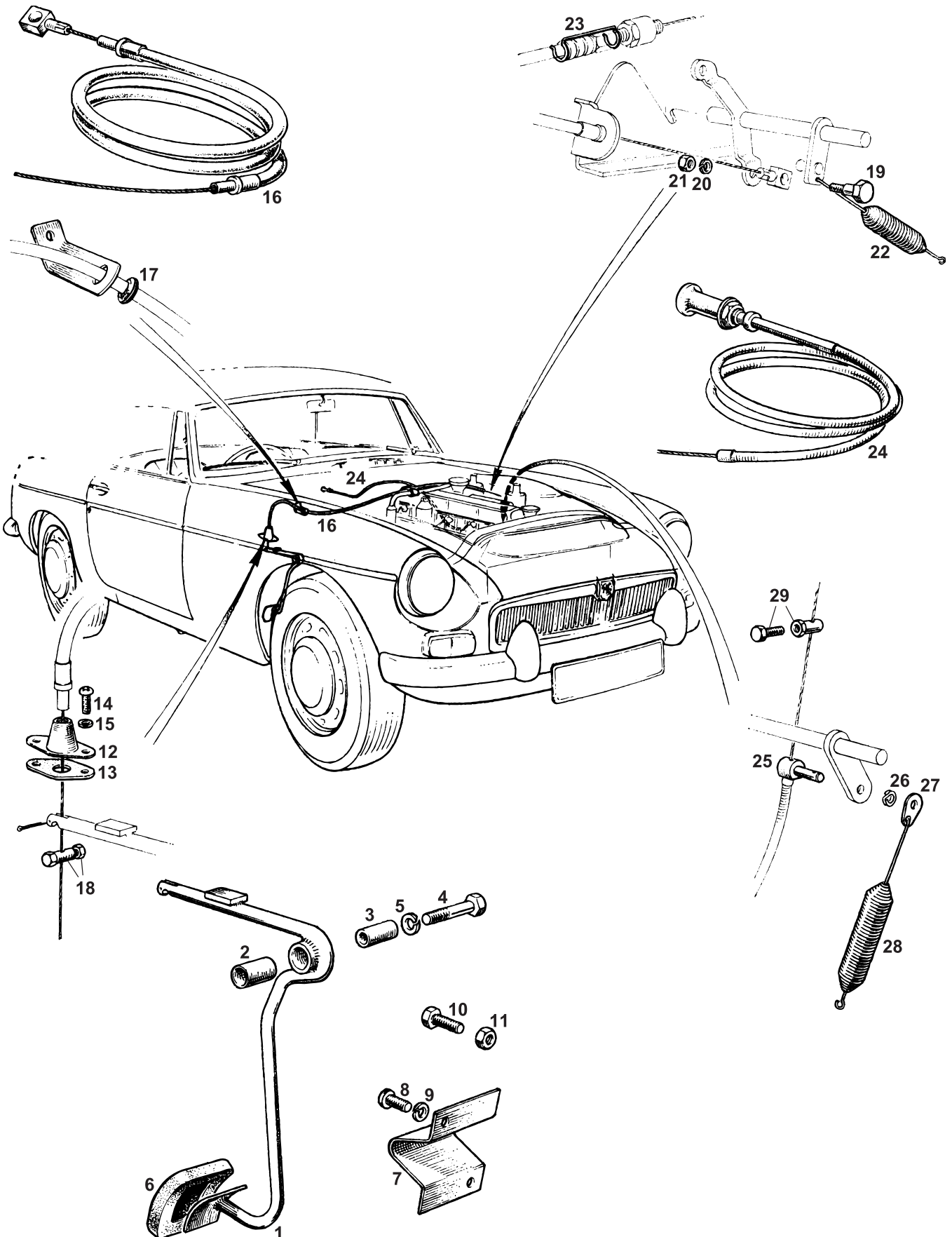
© 2007 MGOC Spares Ltd

1	12B2510E	Distributor - Reconditioned1	Not USA; not Canada 1968 on. Lucas no 41201; one for one exchange
1	12B2510UE	Distributor - Reconditioned1	USA; Canada 1968 on. Lucas no 41224; customer's own reconditioned
2	G100C	123 Electronic Ignition1	
<p>The 123 Ignition is a high-tech ignition system concealed in distributor-like case. It incorporates the latest Hall-effect technology with a micro-processor that adjusts dwell angle throughout the rev range for peak energy and performance. Say goodbye to all the moving parts in your conventional distributor!</p>				
3	G275	Magnetronic Ignition Kit1	
<p>Entry level electronic ignition kit. Simplicity itself - only two wires to connect and kit is concealed within the distributor, leaving under-bonnet appearance unchanged. Use of G283 Magnetronic coil also recommended.</p>				
4	G070/2	Optronic Ignition Kit1	
<p>The Lumenition Optronic advanced electronic ignition kit is suitable for positive or negative earth cars and requires the use of a G284 Optronic coil (see previous section). Specifically designed for MG cars with mechanical distributors containing contact breaker 'points', its great advantage is in having no wearing parts - once set, your MG's distributor will remain permanently in tune without the need for servicing. Optronic ignition gives you a better starting, more efficiently (and economically) running MG.</p>				
5	G078/2	Performance Lumenition Ignition Kit1	
<p>Incorporating the features and advantages of Optronic ignition, this kit also includes a high performance coil and matching high output amplifier. Suitable for positive or negative earth fast road or competition cars.</p>				
6	G070C	Lumenition Amplifier Bracket1	Fits to coil mounting
7	G079	Rev Limiter1	Prevents over-revving beyond pre-set limit
8	GDC115	Distributor Cap - Top Entry1	
9	GRA102	Rotor Arm1	
10	GCS2107	Contact Set1	Original type
10	GCS2101	Contact Set1	One piece type
11	CBS101	Screw - Contact Breaker1	
12	GSC2111	Condenser1	
13	GSC1001S	Screw - Condenser1	
14	600329A	Low Tension Lead1	With bush and Lucar terminal
15	510890	Vacuum Unit1	Not USA; not Canada 1968 on
15	27H7645	Vacuum Unit1	USA; Canada 1968 on
16	606895	Bush - Distributor Spindle1	
17	513679A	Dog - Distributor Drive1	
18	57992	Pin1	
19	513682A	O Ring1	
20	3H2138	Clamp - Distributor1	Includes clamp screw
21	GHF117	Screw - Clamp to Housing2	
22	GHF331	Washer - Spring2	
23	GHF300	Washer - Plain2	
24	12B2067	Vacuum Pipe - Metal1	Original type
25	37H4229M	Vacuum Pipe - Nylon - Per Metre A/R	Replacement type
26	12B2062	Pipe Connector - Rubber - 90° Angle1	
27	ACH9041	Pipe Connector - Rubber - Straight1	
27	12B2095	Pipe Connector - Rubber - Straight1	Alternative
28	12H90	Clip - Vacuum Pipe2	

**Telephone: 01954 230928 Fax: 01954 231923, Email: sales@mgocspares.co.uk
Buy Online at www.mgocspares.co.uk**



MGC
&
MGC GT



© 2007 MGOC Spares Ltd

Telephone: 01954 230928 Fax: 01954 231923, Email: sales@mgocspares.co.uk



**MGC
&
MGC GT**

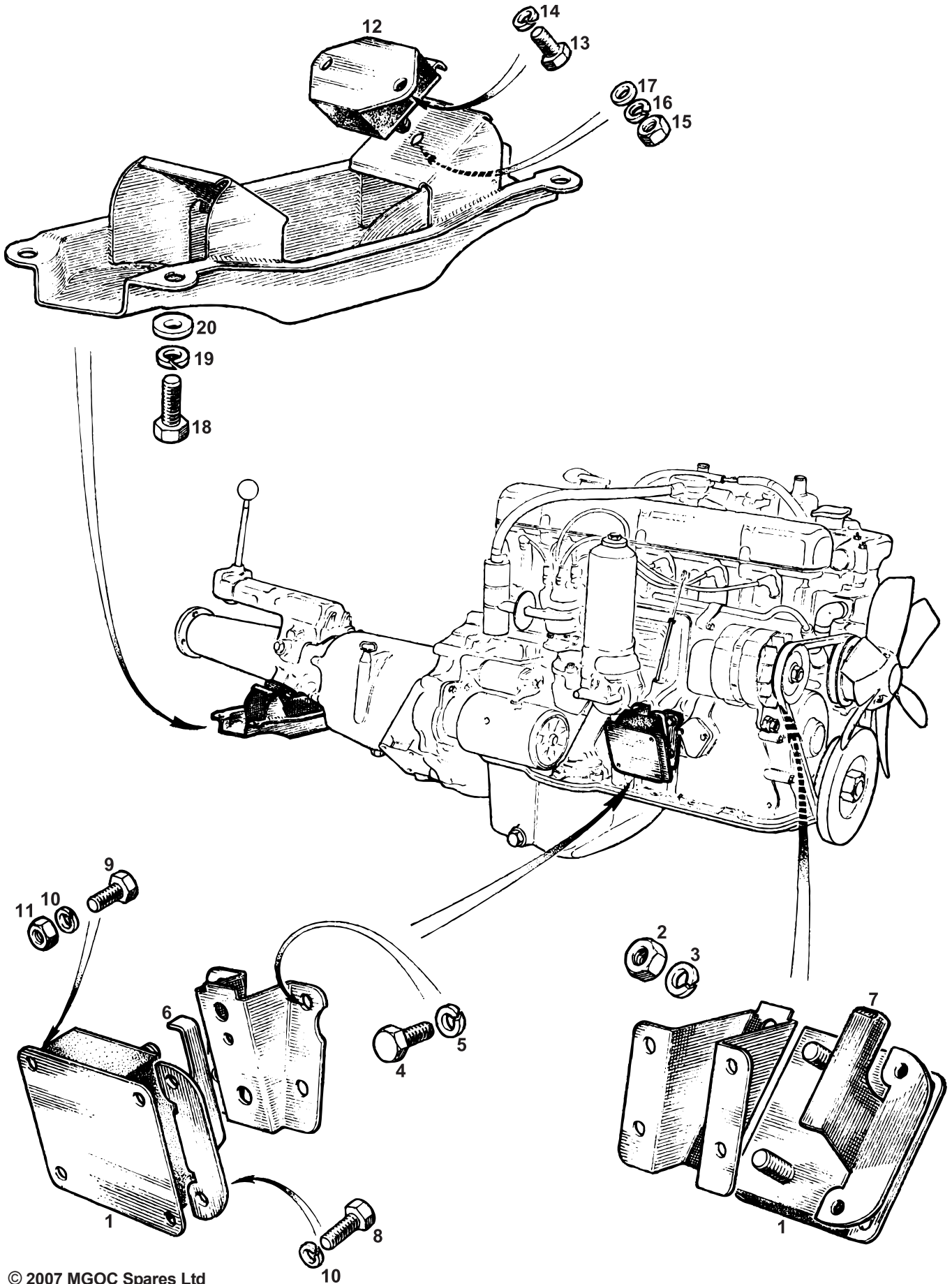


1	AHC135	Pedal - Accelerator	1	Right hand drive
1	AHC647	Pedal - Accelerator	1	Left hand drive
2	AHH5301	Bush - Pedal Pivot	1	
3	AHH6504	Tube - Distance	1	
4	BH605111	Bolt - Pedal Pivot	1	
5	GHF332	Washer - Spring	1	
6	AHH5100	Pad - Pedal - Rubber	1	Not original equipment, but good modification
7	AHB7162	Stop - Pedal	1	Right hand drive
7	AHH6494	Stop - Pedal	1	Left hand drive
8	SE604051	Screw - Pedal Stop	2	
9	GHF331	Washer - Spring	2	
10	SH604091	Screw - Pedal Return Stop	1	
11	GHF200	Nut	1	
12	AHH5308	Guide - Accelerator Cable	1	
13	ACA5073	Gasket - Cable Guide	1	
14	PMZ307	Screw - Guide to Body	2	
15	WL700101	Washer - Spring	2	
16	BHH1120	Cable - Accelerator	1	
17	RFR103	Grommet - Cable Support Bracket	1	Right hand drive
18	AHC284	Pin - Cable to Pedal	1	
19	AHC281	Bolt - Cable to Relay Shaft	1	
20	WL700101	Washer - Spring	1	
21	GHF220	Nut - Nyloc	1	
22	AEC2075	Spring - Return	1	
23	AHC279	Clip - Kick Down Cable Adjustment	1	Automatic gearbox
24	AHC67	Cable - Choke	1	Right hand drive
24	AHH7703	Cable - Choke - Original Type	1	} Left hand drive. Not USA; not Canada 1968 on
24	BHH653	Cable - Choke - Replacement Type	1	
24	AHC754	Cable - Choke	1	Left hand drive. USA; Canada 1968 on
25	AHH6734	Abutment - Choke Cable	1	
26	AJD7721	Washer - Double Coil	1	
27	12A4	Anchor - Return Spring	1	
28	AHC70	Spring - Return	1	
29	AUE34	Trunnion and Screw	1	

**Telephone: 01954 230928 Fax: 01954 231923, Email: sales@mgocspares.co.uk
Buy Online at www.mgocspares.co.uk**



MGC
&
MGC GT



© 2007 MGOC Spares Ltd

Telephone: 01954 230928 Fax: 01954 231923, Email: sales@mgocspares.co.uk



**MGC
&
MGC GT**



1	AHC91	Mounting - Engine	2
2	GHF203	Nut - Mounting to Bracket	4
3	GHF334	Washer - Spring	4
4	SH606061	Screw - Bracket to Block	8
5	GHF333	Washer - Spring	8
6	AHC154	Restrictor - Mounting - RH	1
7	AHC155	Restrictor - Mounting - LH	1
8	GHF103	Screw - Restrictor and Mounting to Body	4
9	GHF120	Screw - Mounting to Body	4
10	GHF332	Washer - Spring	8
11	GHF200	Nut	4
12	AHC800	Mounting - Gearbox	2
13	SH505051	Screw - Mounting to Gearbox	4
14	GHF332	Washer - Spring	4
15	GHF201	Nut - Mounting to Crossmember	2
16	GHF332	Washer - Spring	2
17	GHF301	Washer - Plain	2
18	SH606091	Screw - Crossmember to Body	4
19	GHF333	Washer - Spring	4
20	GHF302	Washer - Plain	4

**Telephone: 01954 230928 Fax: 01954 231923, Email: sales@mgocspares.co.uk
Buy Online at www.mgocspares.co.uk**

FUEL SYSTEM:

CARBURETTERS

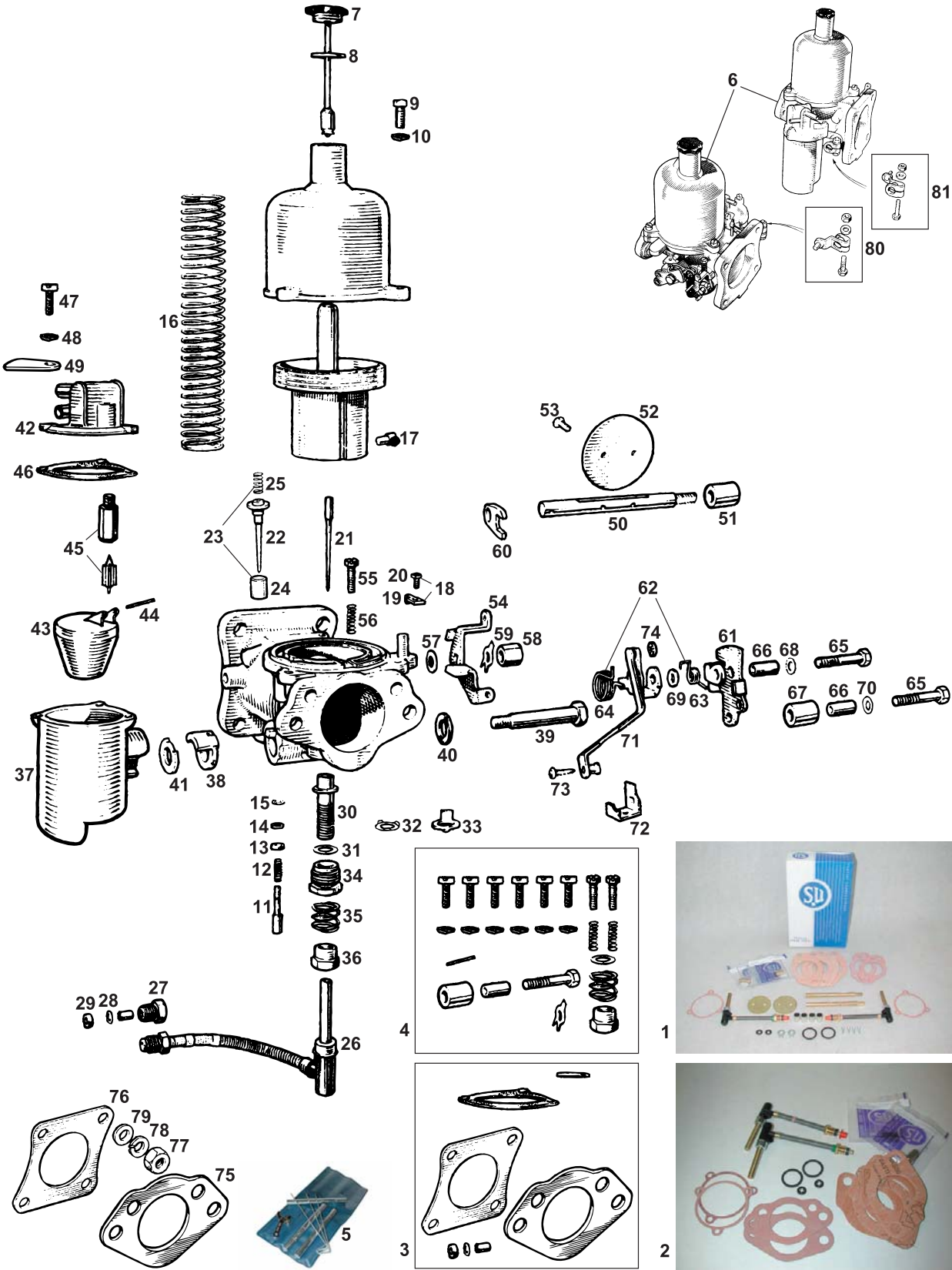
AIR FILTERS

ENGINE BREATHING

INLET MANIFOLDS

FUEL LINES





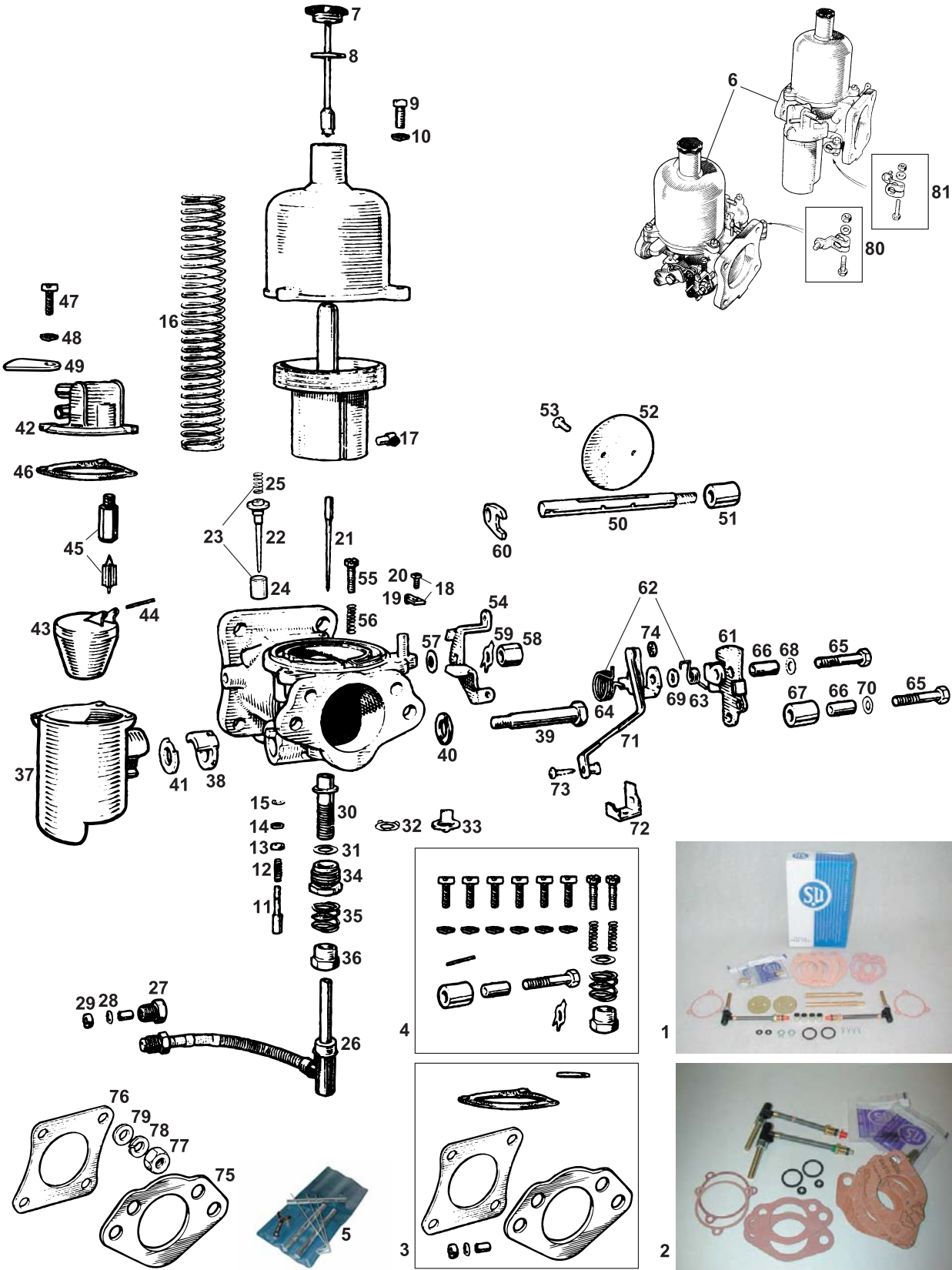


**MGC
&
MGC GT**



1	CRK253	Carb Rebuild Kit - HS6 1	
A rebuild kit includes the service kit, plus throttle spindles, throttle spindle bushes, throttle discs and throttle disc screws for two carburetters.				
2	CSK63	Carb Service Kit - HS6 1	
A service kit includes the gasket kit, plus float chamber needles and seats, jet assemblies and clips for the jet pick up links for two carburetters.				
3	AUE812A	Carb Gasket Kit - HS6 2	
A gasket kit includes manifold gasket, air filter gasket, suction chamber damper washer, float lid gasket and jet union washer and seal for one carburetter.				
4	CSK003	Sundries Kit - HS6 2	
A sundries kit includes choke cam pivot bolt and tubes, suction chamber screws, float lid screws and washers, stop screws and springs, jet nut, jet spring and washer, spindle lock tab and float pivot pin for one carburetter.				
5	Z015	S.U. - Tuning Tool Kit 1	
	AUD2693	S.U. - Jet Adjusting Spanner 1	Included in tool kit
	BCC500	S.U. - Carb Cleaner - Aerosol 500ml	.. A/R	
6	AUD150P	Carburetters - HS6 - Pair - Reconditioned	. 1	Up to 29G 3200. Not USA, Canada. One for one exchange
6	AUD150T	Carburetters - HS6 - Pair - New 1	Up to 29G 3200. Not USA, Canada
6	AUD341P	Carburetters - HS6 - Pair - Reconditioned	. 1	29G 3201 and 29GB 101 on. Not USA, Canada. One for one exchange
6	AUD341T	Carburetters - HS6 - Pair - New 1	29G 3201 and 29GB 101 on. Not USA, Canada
6	AUD287P	Carburetters - HS6 - Pair - Reconditioned	. 1	Up to 29GA 4200. USA, Canada. Customer's own units reconditioned
6	AUD287T	Carburetters - HS6 - Pair - New 1	Up to 29GA 4200. USA, Canada
6	AUD342P	Carburetters - HS6 - Pair - Reconditioned	. 1	29GA 4201 on. USA, Canada. Customer's own units reconditioned
6	AUD342T	Carburetters - HS6 - Pair - New 1	29GA 4201 on. USA, Canada
7	AUC8103	Damper - Plastic Cap 2	
8	AUC4900	Washer - Damper 2	
9	JZX1394	Screw - Dashpot 6	
10	WL700101	Washer - Spring 6	
11	AUC2065	Pin - Piston Lift 2	
12	AUC2066	Spring - Piston Lift Pin 2	
13	AUC4943	Washer - Neoprene 2	
14	AUC4944	Washer - Brass 2	
15	AUD4150	Circlip - Piston Lift Pin 2	
16	AUC1167	Spring - Piston - Yellow 2	
17	AUC2057	Screw - Needle Locking - Fixed Needle	. 2	AUD150, AUD341, AUD287 carbs
17	AUD4251	Screw - Needle Locking - Biased Needle	. 2	AUD342 carbs
18	WZX1120	Piston Guide Key Kit 2	
19	AUC2054	Key - Piston Guide 2	
20	AUC2099	Screw - Piston Guide Key 2	
21	AUD1335	Needle - Fixed - ST - Standard 2	} AUD150, AUD341 carbs
21	AUD1117	Needle - Fixed - C1W - Weak 2	
21	AUD1332	Needle - Fixed - SQ - Rich 2	} AUD287 carbs
21	AUD1537	Needle - Fixed - KM - Standard 2	
22	CUD1103	Needle - Biased - BAD - Standard 2	AUD342 carbs
23	WZX1276	Biased Needle Guide Kit 1	For biased needle carburetters
24	JZX1039	Guide - Biased Needle 1	} Included in needle guide kit
25	AUD3306	Spring - Biased Needle 1	
26	AUD9105	Jet Assembly - Front Carburetter 1	Red jet body with yellow identification sleeve
26	AUD9106	Jet Assembly - Rear Carburetter 1	Red jet body with orange identification sleeve
Originally AUD342 carbs had AUD9872 (white and blue identification sleeves) and AUD9873 (blue and pink sleeves) jets fitted. These are now superseded by AUD9105 and AUD9106 jets, as used on all other MGC carburetters.				
27	AUD2129	Nut - Jet Union 2	
28	AUD2193	Washer - Jet Union 2	
29	AUD2194	Seal - Jet Union 2	
30	AUC8460	Bearing - Jet - Coarse Thread 2	AUD150, AUD341 carbs
30	JZX2075	Bearing - Jet - Fine Thread 2	AUD287 carbs
30	JZX1182	Bearing - Jet - Fine Thread 2	AUD342 carbs
31	AUC8478	Washer - Bearing - Brass 2	AUD150, AUD341 carbs
32	AUD2987	Washer - Jet Centering 2	AUD287 carbs
33	AUD3235	Washer - Tab 2	AUD287, AUD342 carbs
34	AUC2002	Nut - Jet Locking 2	
35	AUC2114	Spring - Jet Locking 2	
36	AUC8461	Nut - Adjusting - Coarse Thread 2	AUD150, AUD341 carbs
36	JZX1183	Nut - Adjusting - Fine Thread 2	AUD287, AUD342 carbs
37	AUD2140	Float Chamber 2	
38	AUD2179	Adaptor - Front Carburetter 1	Colour coded blue
38	AUD2178	Adaptor - Rear Carburetter 1	Colour coded dark red
39	AUC1319	Bolt - Float Chamber Attachment 2	
40	AUC1318	Grommet - Bolt 2	
41	AUC1329	Washer - Support 2	If fitted
42	AUE272	Float Lid Assembly - Front Carburetter 1	} Includes float, needle and seat, plus gasket
42	AUE600	Float Lid Assembly - Rear Carburetter 1	
43	WZX1300	Float Kit 2	Includes gasket
44	AUC1152	Pin - Float Hinge 2	
45	WZX1100	Needle and Seat Assembly 2	Includes gasket
45	GAC9201X	Needle and Seat - Grose Jet 2	Improved design
46	AUC8459	Gasket - Float Lid 2	
47	JZX1394	Screw - Float Lid 6	
48	WL700101	Washer - Spring 6	

**Telephone: 01954 230928 Fax: 01954 231923, Email: sales@mgocspares.co.uk
Buy Online at www.mgocspares.co.uk**





- 49 AUC1038 Tag - Carburetter Identification 1
- AUC1038 is a blank tag requiring the carburetter number to be stamped on it.
- 50 WZX1178 Throttle Spindle Kit 2 Includes lock tab, disc screws, manifold and air filter gaskets
- 51 AUD3080 Bush - Throttle Spindle 4

Note that the throttle spindle bosses on the carburetter body must be reamed to 9.5mm diameter before fitting bushes.

- 52 WZX1321 Throttle Disc Kit 2 Includes disc screws, manifold and air filter gaskets.
- 53 AUC1358 Screw - Throttle Disc 4
- 54 AUD2788 Lever - Throttle Return - Front Carburetter . 1
- 54 AUD2787 Lever - Throttle Return - Rear Carburetter . 1
- 55 AUC8483 Screw - Throttle Stop and Idle Adjustment . 4
- 56 AUC2451 Spring - Screws 4
- 57 AUC2625 Washer - Brass 2
- 58 AUC1424 Nut - Throttle Spindle 2
- 59 AUC1206 Lock Tab 2
- 60 JZX1328 Lever - Lost Motion 2
- 61 AUD2163 Choke Cam Lever - Front Carburetter . . . 1 } AUD150, AUD287 Carbs
- 61 AUD2164 Choke Cam Lever - Rear Carburetter . . . 1 }
- 61 AUD3346 Choke Cam Lever - Front Carburetter . . . 1 } AUD341, AUD342 Carbs
- 61 AUD3347 Choke Cam Lever - Rear Carburetter . . . 1 }
- 62 WZX1336 Choke Lever Spring Kit - Front Carburetter 1 } Includes cam lever spring and pick up lever spring
- 62 WZX1335 Choke Lever Spring Kit - Rear Carburetter 1 }
- 63 AUD2431 Spring - Cam Lever - Front Carburetter . . . 1
- 63 AUD2432 Spring - Cam Lever - Rear Carburetter . . . 1
- 64 AUC8462 Spring - Pick Up Lever - Front Carburetter . 1
- 64 AUC1375 Spring - Pick Up Lever - Rear Carburetter . 1
- 65 AUC1426 Bolt - Pivot 2
- 66 AUC8473 Tube - Distance 2
- 67 AUD2430 Tube - Outer 2 AUD341, AUD342 Carbs
- 68 AUC5032 Washer - Bolt 2 AUD150, AUD287 Carbs
- 69 AUC2433 Washer - Distance 2
- 70 AUD2429 Washer - Special 2 AUD341, AUD342 Carbs
- 71 AUD9653 Lever and Link - Pick Up - Front Carburetter . 1 }
- 71 AUD9654 Lever and Link - Pick Up - Rear Carburetter . 1 }
- 71 AUD9288 Lever and Link - Pick Up - Front Carburetter . 1 }
- 71 AUD9289 Lever and Link - Pick Up - Rear Carburetter . 1 }
- 72 JZX1307 Bracket - Front Carburetter 1
- 72 AUD2428 Bracket - Rear Carburetter 1
- 73 AB606051 Screw - Link to Jet 2
- 74 AUC5002 Washer - Starlock - Lever to Link 2
- 75 AEC375 Gasket - Air Filter 2
- 76 AUC4279 Gasket - Manifold and Insulator 6
- 77 GHF201 Nut - Carburetter to Manifold 8
- 78 GHF332 Washer - Spring 8
- 79 PWZ205 Washer - Plain 8

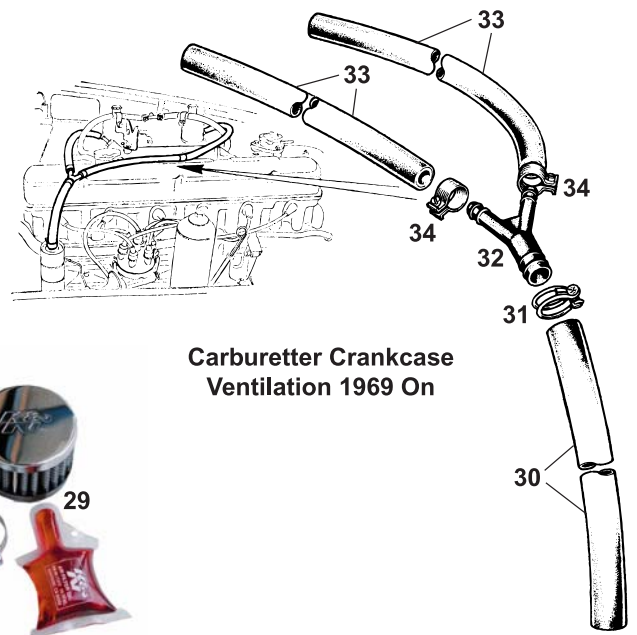
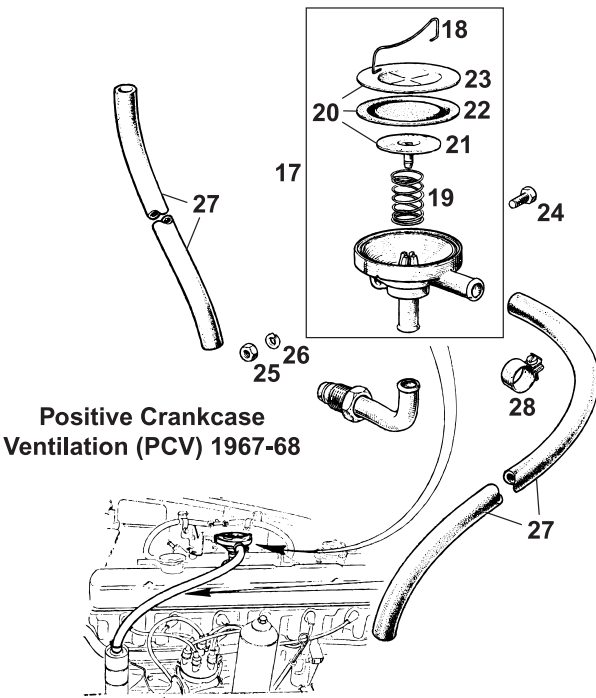
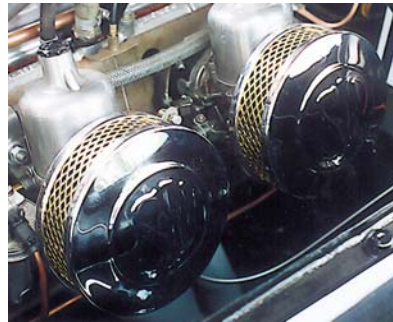
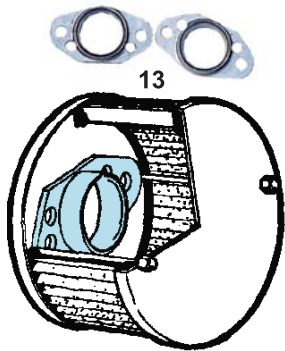
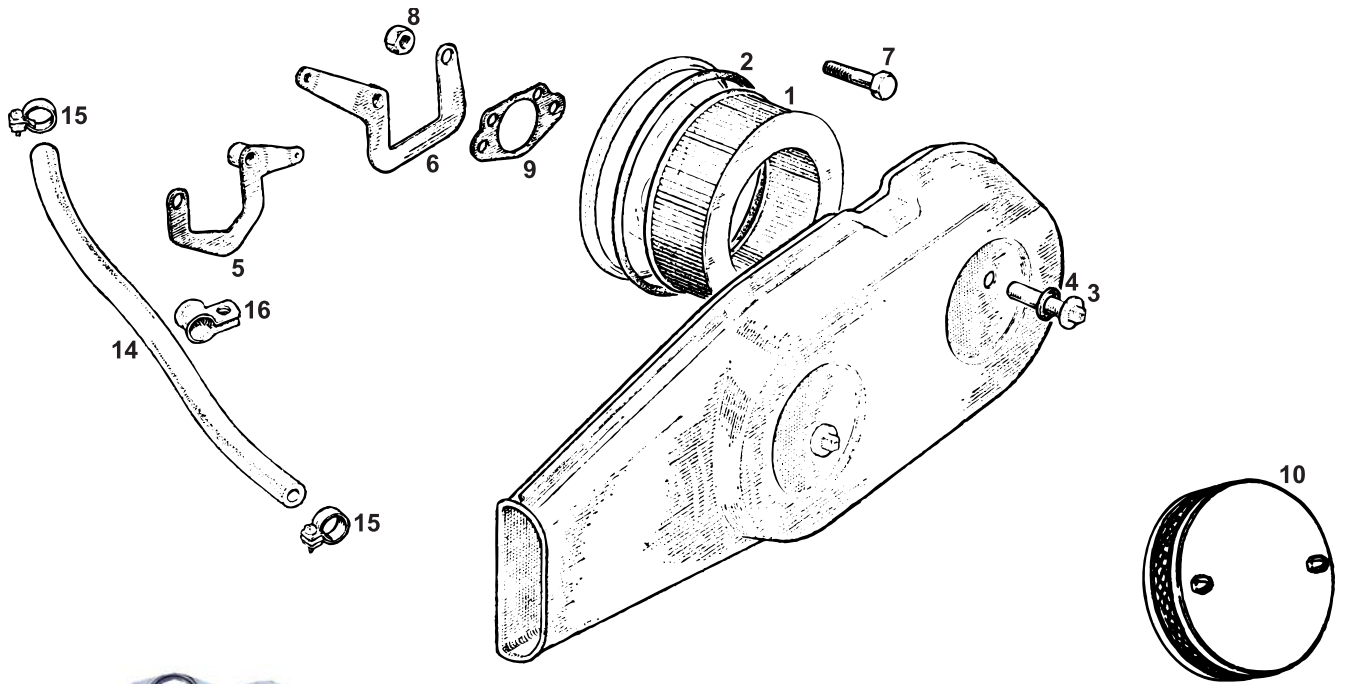
Very little of the 'progressive linkage' design connecting MGC carburetters both to each other and to the control cables is available (no doubt because it is both complex and fitted to few cars, relatively speaking). Only the levers from the throttle and choke connecting rods are available 'off the shelf' and so are the only items shown here:

- 80 AUE586 Lever Assembly - Front 2
- 81 AUE587 Lever Assembly - Rear 2

**Telephone: 01954 230928 Fax: 01954 231923, Email: sales@mgocspares.co.uk
Buy Online at www.mgocspares.co.uk**



**MGC
&
MGC GT**



© 2007 MGOC Spares Ltd

Telephone: 01954 230928 Fax: 01954 231923, Email: sales@mgocspares.co.uk



MGC & MGC GT



1	GFE1010	Element - Air Filter2	
2	27H8223	Washer - Sealing - Rubber2	
3	27H8222	Nut - Tube - Air Filter Casing2	
4	27H8224	Washer - Sealing - Fibre2	
5	AHC776	Plate - Mounting - Front Carburetter1] Later style
6	AHC751	Plate - Mounting - Rear Carburetter1	
7	AHC430	Bolt - Air Cleaner to Carburetter 4/2] 2 only required for USA and Canada air filters Not required for early style mounting plates
8	GHF221	Nut - Nyloc - Mounting Plate2	
9	AEC375	Gasket - Air Filter to Carburetter2	
10	PF103	Air Filter - Accessory Type - Chrome2	
11	G229	Air Filter - SU Style - Chrome2	

These attractive, chrome plated foam filters with the distinctive SU logo will enhance your MG's engine bay and improve air flow and performance. Greater performance improvements still are available when used with stub stacks G222.

12 G217 Air Filter - K&N Pancake - Stainless Steel .2
The most efficient performance filters available, K&Ns provide up to 40% more air flow than conventional filters, with extremely high levels of filtration. They require minimal cleaning and are supplied pre-oiled, ready for use. May be fitted with stub stacks G222 for further improvements.

13 G222 Stub Stack2
Ideal for use with G229 SU or G217 K&N air filters. Highly recommended, they greatly improve air flow into the carburetters.

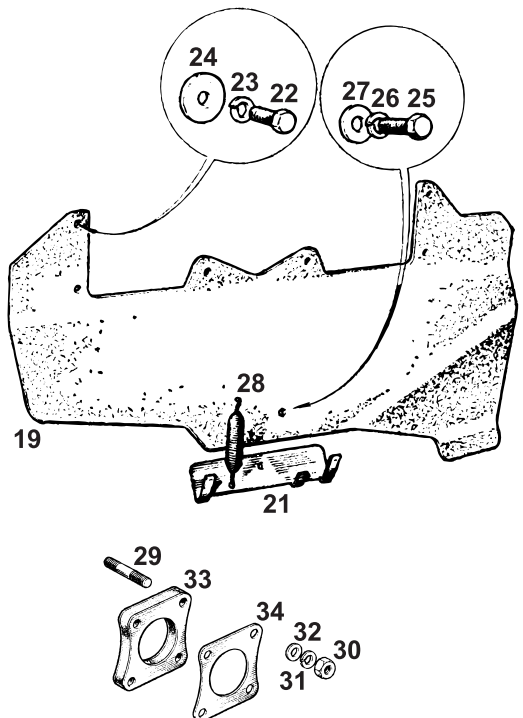
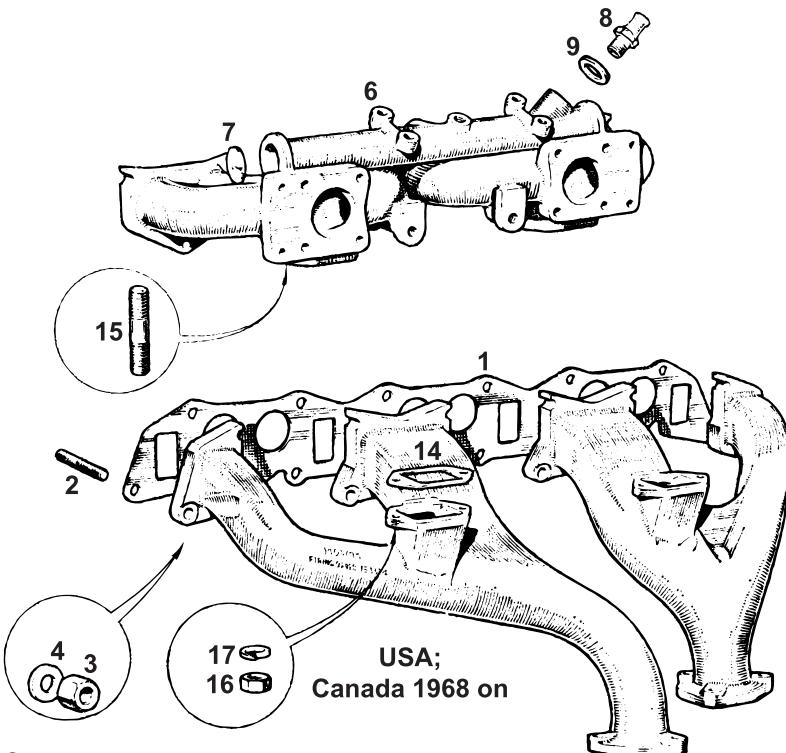
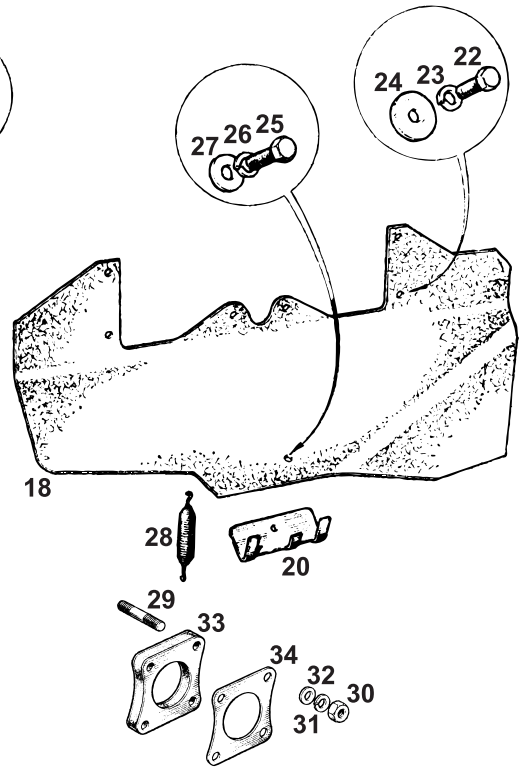
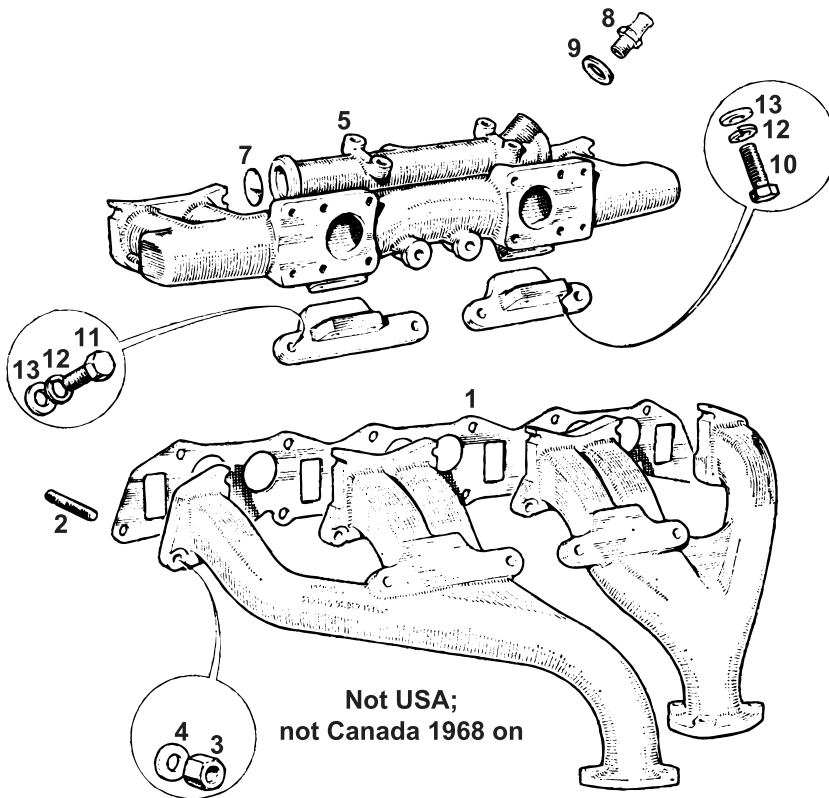
14	GRH1005M	Hose - Rocker Cover to Air Cleaner	... A/R	Sold per metre
15	88G308	Clip - Hose2	
16	PCR811	Clip - Hose to Engine2	

On MGCs not destined for the USA (1967-69) or Canada (1968-69), emission control equipment came in two varieties: positive crankcase ventilation (PCV) on 1967-68 models and carburetter crankcase ventilation on 1969 models. Details of the ventilation components, all of which are available, plus the engine number change points are shown below. For USA market and 1968 on Canadian market MGCs, emission control equipment was far more extensive - in addition to PCV or carb crankcase ventilation, these cars were also fitted with air injection equipment (including air pump and manifold, gulp valve and check valve) and the mass of plumbing that went with it. Very little of this extra USA/Canada equipment is now available and there is little point in listing it all here. However, if you are in need of some of these items please contact MGOC Spares and we will strive to locate the parts for you.

Similarly the USA/Canada markets MGC carburetter float chamber cooling system (a temperature-controlled blower motor ducting cool air to the carburetters) has been for many years almost completely unavailable and is therefore not listed here.

17	13H5191	Valve Ass'y - Positive Crankcase Ventilation	1] Up to 29G 3200 (not USA) and 29GA 1400 (USA, Canada)
18	27H7760	Clip - Cover1	
19	27H7756	Spring1	
20	517582	Service Kit - Valve1	
21	149342	Plunger1	
22	27H7758	Diaphragm1	
23	27H7759	Cover1	
24	GHF117	Screw - Valve to Bracket1	
25	GHF200	Nut1	
26	GHF331	Washer - Spring1	
27	BAU5065M	Hose - Valve - Sold Per Metre A/R] 29G 3201 on (not USA, Canada), 29GA 1401 on (USA, Canada) and 29GB 101 on (France)
28	GHC507	Clip - Hose4	
29	G002	Engine Breather Filter - K&N1	
30	BAU5065M	Hose - Oil Separator to Y Piece - Per Metre	A/R	
31	GHC507	Clip - Hose2	
32	12G2134	Y Piece1	
33	GRH1005M	Hose - Y Piece to Carburetters - Per Metre	A/R	
34	88G308	Clip - Hose4	

**Telephone: 01954 230928 Fax: 01954 231923, Email: sales@mgocspares.co.uk
Buy Online at www.mgocspares.co.uk**





**MGC
&
MGC GT**



1	GEG623	Gasket - Manifold	1
2	FHS2614	Stud - Manifolds to Head	15
3	AEC250	Nut - Manifolds to Head	15
4	PWZ206	Washer - Plain	15
5	12B1831E	Manifold - Inlet - Exchange	1
6	12B2645E	Manifold - Inlet - Exchange	1
7	2K8159	Plug - Welch	2
8	AHC630	Adaptor - Brake Servo	1
9	267604	Washer - Copper	1
8	21K8342	Adaptor - Brake Servo	1
9	1B3664	Washer - Fibre	1
10	BH505101	Bolt - Hot Spot Connector to Inlet Manifold	4
11	SH505091	Screw - Hot Spot Connector to Exh. Manifold	4
12	GHF332	Washer - Spring	8
13	PWZ305	Washer - Plain - Small	8
14	12B1578	Gasket - Hot Spot	2
15	CHS2510	Stud - Exhaust Manifold to Inlet Manifold	4
16	GHF201	Nut	4
17	GHF332	Washer - Spring	4
18	12B2317	Heatshield	1
19	12B2498	Heatshield	1
20	12B1948	Plate - Return Spring Anchor	1
21	12B2597	Plate - Return Spring Anchor	1
22	SH504051	Screw - Heatshield to Manifold	6
23	GHF331	Washer - Spring	6
24	PWZ204	Washer - Plain	6
25	SH604051	Screw - Anchor Plate to Heatshield	1
26	GHF321	Washer - Shakeproof	1
27	PWZ204	Washer - Plain	1
28	AHC70	Spring - Carburetter Return	2
29	CHS2516	Stud - Carburetter to Manifold	8
30	GHF201	Nut	8
31	GHF332	Washer - Spring	8
32	PWZ205	Washer - Plain	8
33	12B561	Insulator - Carburetter Mounting	2
34	AUC4279	Gasket - Manifold and Insulator	6

Not USA; not Canada 1968 on. Customer's own unit reconditioned
USA; Canada 1968 on. Customer's own unit reconditioned

Up to chassis no 1153; not USA, Canada

From chassis no 1154; all USA, Canada

Not USA; not Canada 1968 on

USA; Canada 1968 on

Not USA; not Canada 1968 on

USA; Canada 1968 on

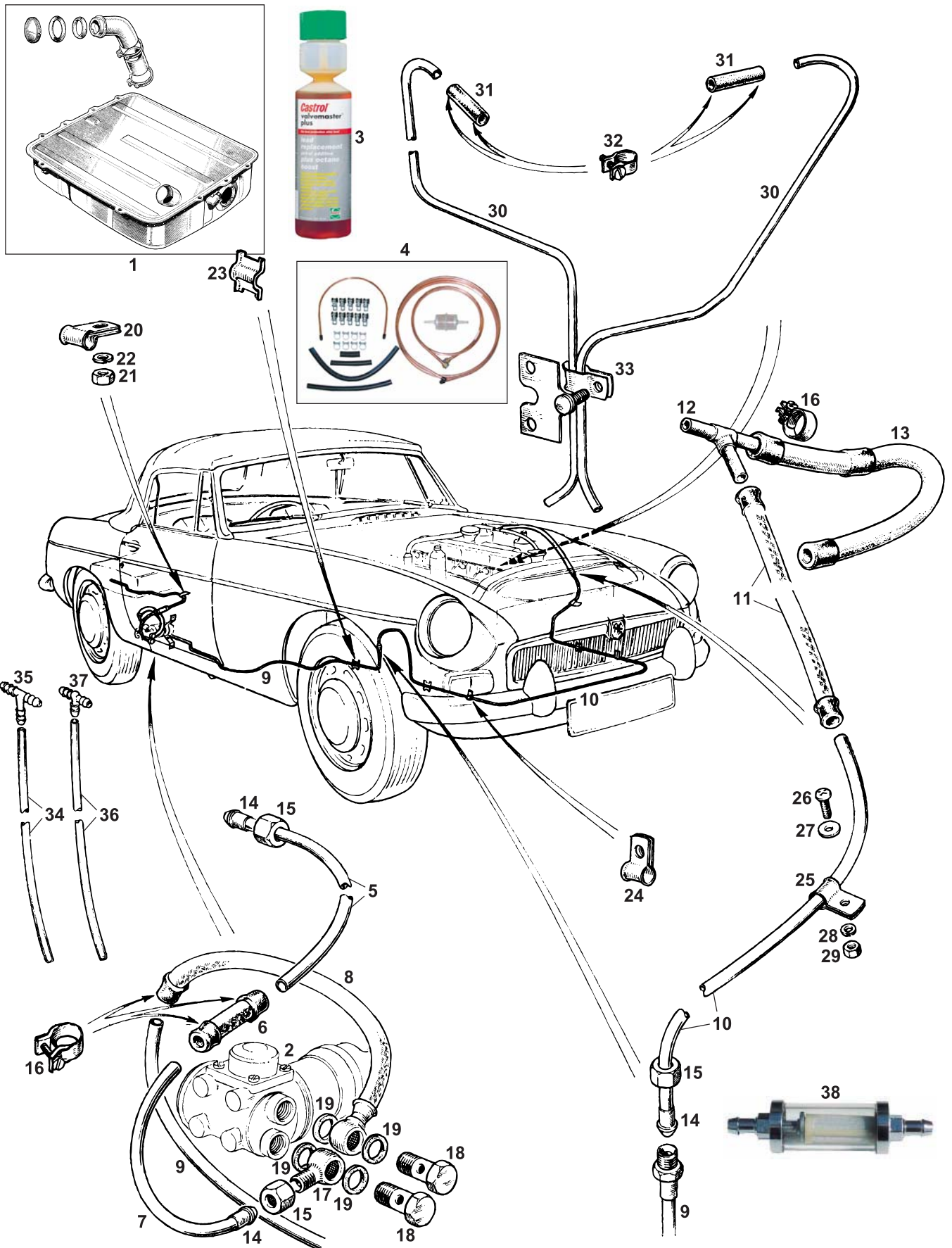
Not USA; not Canada 1968 on

USA; Canada 1968 on

**Telephone: 01954 230928 Fax: 01954 231923, Email: sales@mgocspares.co.uk
Buy Online at www.mgocspares.co.uk**



**MGC
&
MGC GT**



© 2007 MGOC Spares Ltd

Telephone: 01954 230928 Fax: 01954 231923, Email: sales@mgocspares.co.uk

1 - Tank - Fuel 1

For details of the fuel tank, including mountings, filler caps and the sender unit, please refer to the relevant section in the MGOC Spares MGB catalogue, where parts fitted to MGBs between chassis numbers 138401 and 187210 (1967 to 1969) are also applicable to MGC.

2 - Pump - Fuel 1

For details of original and alternative fuel pumps, please refer to the relevant section in the MGOC Spares MGB catalogue, where parts fitted to MGBs between chassis numbers 138401 and 187210 (1967 to 1969) are also applicable to MGC.

3 G770 Castrol Valvemaster Plus A/R

Reduces pinking and knocking or the need to retune the engine when using unleaded fuel (raises octane rating). Treats 250 litres of fuel. Castrol Valvemaster Plus was shown to offer the highest level of protection of all products tested by the Federation of British Historic Vehicle Clubs.

4 F066 Fuel Pipe Kit - Copper 1

Kit includes all fuel pipes required for an MGC, plus a selection of fixings.

5	AHC526	Pipe - Fuel - Tank to Hose 1	Includes nut and pipe nipple
6	GGT101	Hose - Petroflex - Tank Pipe to Pump Pipe 1	
7	AHC532	Pipe - Fuel - Hose to Pump 1	Includes nut and pipe nipple
8	AHH7371	Hose - Petroflex - Pump to Main Feed Pipe 1	
9	AHC527	Pipe - Fuel - Main Feed - Rear 1	Includes union
10	AHC529	Pipe - Fuel - Main Feed - Front 1	Includes nut and pipe nipple
11	GGT105	Hose - Petroflex - Main Feed Pipe to T Piece 1	
12	12H889	T Piece 1	
13	GGT106	Hose - Petroflex - T Piece to Carburettors 2	
14	AHH5383A	Nipple - Fuel Pipe Union 6	
15	AHH5385	Nut - Fuel Pipe Union 6	
16	ACH5854	Clip - Petroflex Hose 9	
17	AUC1833	Union - Banjo - Pump Inlet 1	
18	AUC2698	Bolt - Banjo 2	
19	AUC2141	Washer - Fibre 4	
20	PCR509	Clip - Pipe to Boot Floor 1	
21	GHF200	Nut 1	
22	GHF331	Washer - Spring 1	
23	AHC172	Clip - Pipe to Front Side Members 3	
24	PCR511	Clip - Pipe to Radiator Mounting Brackets 2	
25	PCR507	Clip - Pipe to Front Inner Wing 1	
26	PMZ308	Screw - Clip to Inner Wing 1	
27	GHF306	Washer - Plain 1	
28	WL700101	Washer - Spring 1	
29	GHF206	Nut 1	
30	37H7148M	Pipe - Overflow A/R] Sold per metre
31	37H7615M	Hose - Overflow Pipe to Carburetter A/R	
32	88G308	Clip - Overflow Hose 4	
33	AHH7355	Clip - Overflow Pipes 1	Not USA; not Canada 1968 on
33	PCR411	Clip - Overflow Pipes 2	USA; Canada 1968 on
34	GWW201M	Tubing - Pump Breather - 3mm Int. Dia. A/R	Sold per metre
35	GWW404	T Piece 1	
36	GWW202M	Tubing - Pump Breather - 4mm Int. Dia. A/R	Sold per metre
37	GWW404	T Piece 1	
38	G067	In-Line Fuel Filter 1	Chrome and toughened glass construction.

**Telephone: 01954 230928 Fax: 01954 231923, Email: sales@mgocspares.co.uk
Buy Online at www.mgocspares.co.uk**

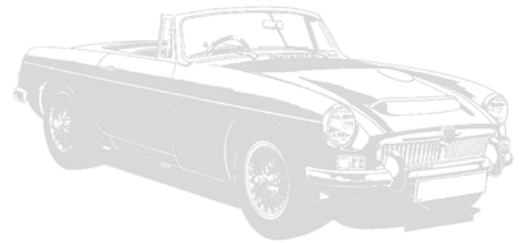
COOLING:

RADIATORS

HOSES

EXPANSION TANKS

COOLANT

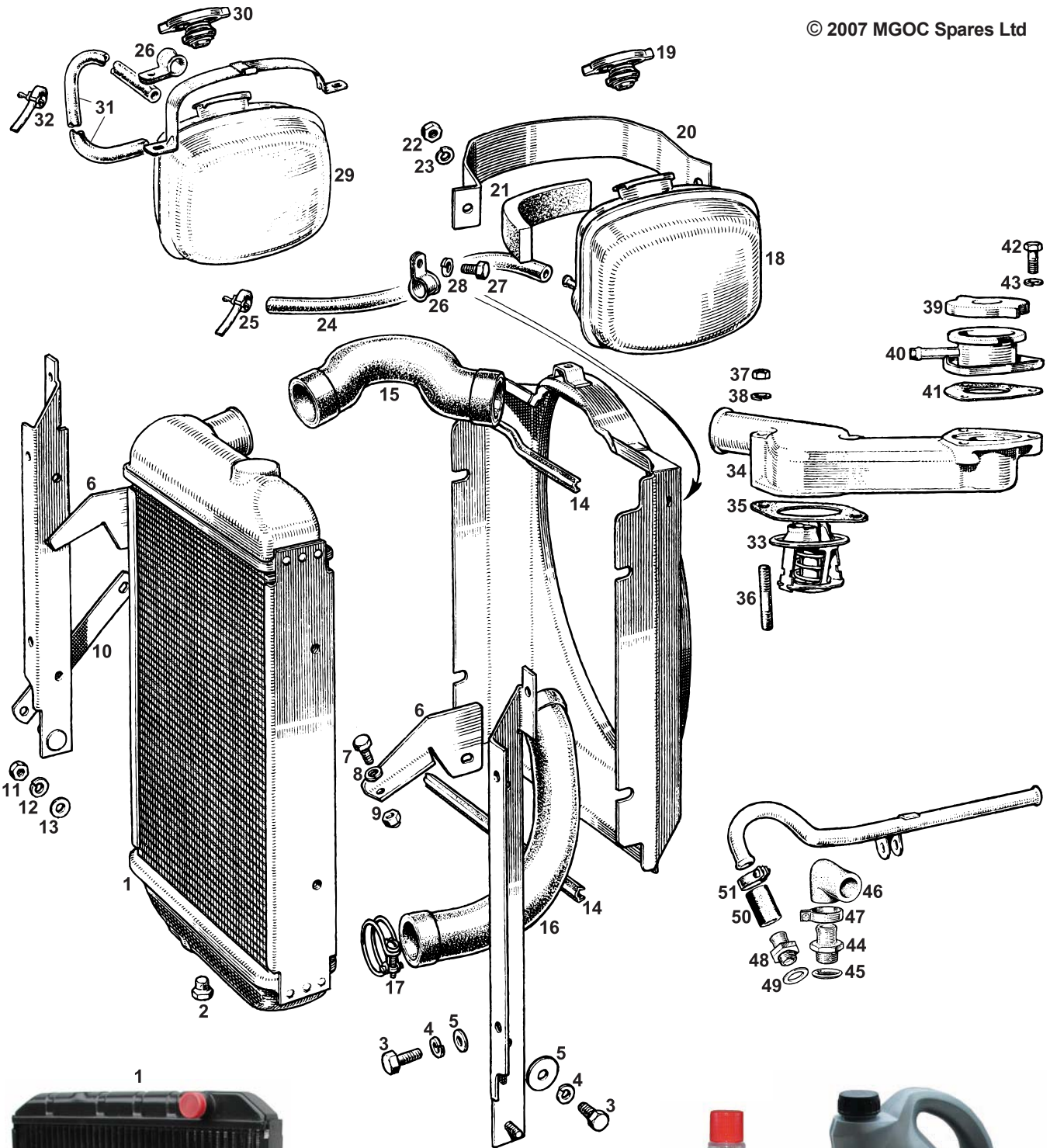




**MGC
&
MGC GT**



© 2007 MGOC Spares Ltd



Telephone: 01954 230928 Fax: 01954 231923, Email: sales@mgocspares.co.uk



1	ARC54	Radiator - New	1	
1	ARC54E	Radiator - Reconditioned - Exchange	1	One for one exchange
2	ARA1618	Plug - Drain	1	
3	SH605051	Screw - Radiator and Mounting Bracket	8	
4	GHF332	Washer - Spring	8	
5	PWZ205	Washer - Plain	8	
6	AHC148	Tie Bracket - Upper - RH	1	
6	AHC149	Tie Bracket - Upper - LH	1	
7	53K126	Screw - Tie Bracket	2	
8	WL700101	Washer - Spring	2	
9	GHF220	Nut - Nyloc	2	
10	AHC145	Tie Bracket - Lower	2	
11	GHF201	Nut	4	
12	GHF332	Washer - Spring	4	
13	GHF301	Washer - Plain	4	
14	AHC460	Seating - Fan Cowl	2	Requires slight modification for use in upper position
15	GRH359	Hose - Top	1	
16	GRH360	Hose - Bottom	1	
17	CS4029	Clip - Hose - Supergrip	4	Wire type clip
17	GHC1217	Clip - Hose - Jubilee	4	Worm-drive type clip
18	ARC71	Tank - Expansion	1	
19	GRC130	Pressure Cap - Tank - 10lbs	1	
20	AHC461	Clip - Tank Retaining	1	
21	ACA9872	Pad - Rubber	2	
22	GHF201	Nut	2	
23	GHF332	Washer - Spring	2	
24	GRH1005M	Hose - Expansion Tank - Sold Per Metre A/R		Not USA; not Canada 1968 on
25	21K8341	Clip - Expansion Tank Hose	2	
26	PCR1009	Clip - Hose to Fan Cowl	1	
27	SH604041	Screw - Clip to Cowl	1	
28	GHF331	Washer - Spring	1	
29	ARC78	Tank - Expansion	1	
30	GRC110	Pressure Cap - Tank - 15lbs	1	
31	GRH1005M	Hose - Expansion Tank - Sold Per Metre A/R		USA; Canada 1968 on
32	21K8341	Clip - Expansion Tank Hose	2	
33	GTS102	Thermostat - 74°C - Hot	1	
33	GTS104	Thermostat - 82°C - Standard	1	
33	GTS106	Thermostat - 88°C - Cold	1	
34	12B1814	Housing - Thermostat	1	
35	115467	Gasket - Thermostat	1	
36	FHS2520	Stud - Thermostat Housing	2	
37	FNZ505	Nut	2	
38	GHF331	Washer - Spring	2	
39	GRC126	Cap - Unpressurised - Filler	1	
40	ARH2072	Neck - Filler	1	
41	12B2066	Gasket - Filler Neck	1	
42	SH505051	Screw - Filler Neck	3	
43	GHF331	Washer - Spring	3	
44	12B1444	Adaptor - Water Pump - Bypass	1	
45	12B1445	Washer - Sealing	1	
46	12B1408	Hose - Bypass	1	
47	3H2963	Clip - Bypass Hose	2	
48	12A922	Adaptor - Water Pump - Heater Outlet	1	
49	267604	Washer - Sealing	1	
50	GRH1006M	Hose - Heater Outlet	A/R	Sold per metre
51	CS4012	Clip - Heater Hose - Supergrip	2	Wire type clip
51	GHC507	Clip - Heater Hose - Jubilee	2	Worm-drive type clip
52	F210	Kenlowe Hotstart	1	

Pre-heats engine to normal working temperature before engine is started. Uses 220-240 Volt supply. Benefits include non-use of choke on start up and instant heat from heater.

53 G231 Water Wetter - 335ml Bottle A/R
This cooling system heat transfer agent lowers the engine temperature by up to 15°C. One bottle treats 15 litres of coolant.

54 G230 Forlife Radiator Fluid A/R
Protects against corrosion and scale, preserves hoses and gives frost protection down to -42°C. Maintains properties for 10 years.

**Telephone: 01954 230928 Fax: 01954 231923, Email: sales@mgocspares.co.uk
Buy Online at www.mgocspares.co.uk**

EXHAUST:

SYSTEMS

TAIL PIPES

MANIFOLDS

FIXINGS

BANDAGE

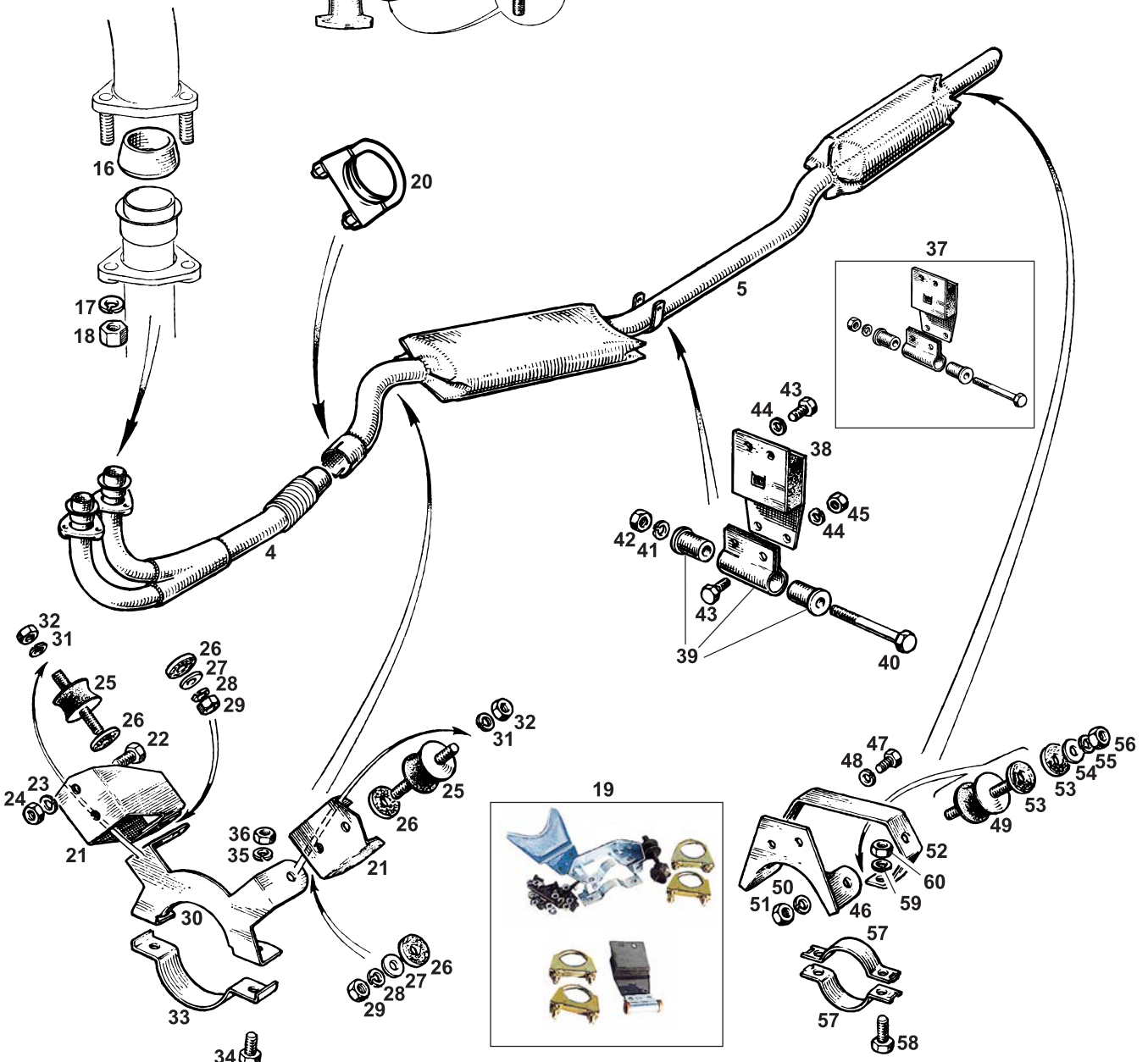
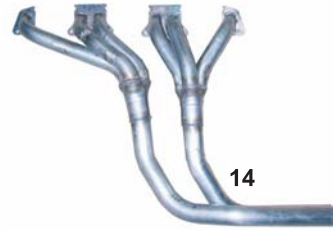
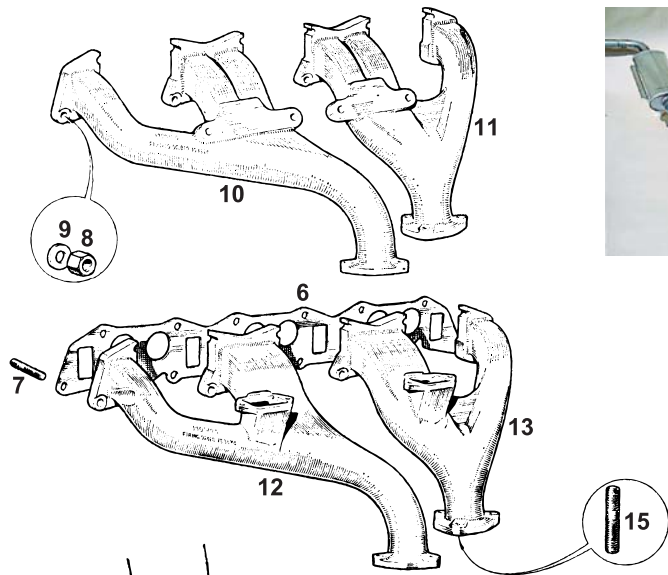
PASTE

PAINT





**MGC
&
MGC GT**



© 2007 MGOC Spares Ltd

Telephone: 01954 230928 Fax: 01954 231923, Email: sales@mgocspares.co.uk



1 B060 Club Stainless Steel Exhaust System 1 With mirror finish silencer and lifetime guarantee
Manufactured to exacting Club standards by Double 'S' Exhausts, Britain's premier stainless exhaust company, the B060 system is made from 309 and 401 grade stainless steels and features mirror-finish silencers. Produced to fine tolerances for easy DIY fitment, it comes with a lifetime guarantee.

2 C073 Exhaust Tail Trim - Chrome 1
3 C082 Exhaust Tail Trim - Stainless Steel 1 } Suitable for B060 exhaust system
These tail trims are of excellent quality and come in a choice of straight (C073) or lipped (C080) styles.

4 GEX1317 Front Pipe Assembly - Mild Steel 1
4 BMG51 Front Pipe Assembly - Stainless Steel 1
5 GEX3266 Rear Pipe and Silencers - Mild Steel 1
5 BMG52 Rear Pipe and Silencers - Stainless Steel . 1
6 GEG623 Gasket - Manifold 1
7 FHS2614 Stud - Manifolds to Head 15
8 AEC250 Nut - Manifolds to Head 15
9 PWZ206 Washer - Plain 15
10 12B1829 Manifold - Exhaust - Front 1
11 12B1830 Manifold - Exhaust - Rear 1 } Not USA; not Canada 1968 on
12 12B2496 Manifold - Exhaust - Front 1
13 12B2497 Manifold - Exhaust - Rear 1 } USA; Canada 1968 on
14 B061 Manifold - Stainless Steel - Six Branch . . . 1
15 AEH194 Stud - Manifold to Front Pipe 6
16 GEX7196 Seal - Manifold to Front Pipe 2
17 GHF333 Washer - Spring 6
18 AHH8382 Nut 6
19 C120 Mounting Kit - Exhaust System 1
The exhaust mounting kit includes all clamps, mountings and fixings for a standard MGC exhaust system.

20 C089 Clip - Front Pipe to Rear Pipe 1
21 GEX7197 Bracket - Mounting - Front 2
22 GHF120 Screw - Bracket to Crossmember 4
23 GHF332 Washer - Spring 4
24 GHF201 Nut 4
25 GEX7251 Rubber - Mounting - Front 2
26 AHC442 Washer - Insulation 4
27 PWZ205 Washer - Plain 2
28 GHF332 Washer - Spring 2
29 GHF201 Nut 2
30 GEX7198 Bracket - Hanger - Front 1
31 GHF332 Washer - Spring 2
32 GHF201 Nut 2
33 GEX7200 Saddle - Front 1
34 GHF120 Screw - Saddle to Hanger 2
35 GHF332 Washer - Spring 2
36 GHF201 Nut 2
37 EFK1 Mounting Kit - Intermediate 1
38 GEX7204 Mounting - Intermediate 1
39 GEX7182K Bush and Bracket Kit 1
40 BH605221 Bolt 1 } Included in intermediate mounting kit
41 GHF332 Washer - Spring 1
42 GHF201 Nut 1
43 GHF117 Screw - Intermediate Mounting 4
44 GHF331 Washer - Spring 4
45 GHF200 Nut 2
46 GEX7201 Bracket - Mounting - Rear 1
47 GHF117 Screw - Mounting to Body 2
48 GHF331 Washer - Spring 2
49 GEX7251 Rubber - Mounting - Rear 2
50 GHF332 Washer - Spring 2
51 GHF201 Nut 2
52 GEX7202 Bracket - Hanger - Rear 1
53 AHC442 Washer - Insulation 4
54 PWZ205 Washer - Plain 2
55 GHF332 Washer - Spring 2
56 GHF201 Nut 2
57 GEX7203 Saddle - Rear 2
58 SH605071 Screw - Saddle to Hanger 2
59 GHF332 Washer - Spring 2
60 GHF201 Nut 2

**Telephone: 01954 230928 Fax: 01954 231923, Email: sales@mgocspares.co.uk
Buy Online at www.mgocspares.co.uk**





**MGC
&
MGC GT**



1 C061 Exhaust Manifold Wrap1
Thermal protection plus extra horsepower! Easy to fit, using C067 Wrap Fixings Set.

2 C067 Exhaust Wrap Fix Set1

3 C068 Exhaust Aluminium Cloth - 1m x 1m1

This aluminised fabric sheeting has a multitude of uses, including engine bay and bonnet protection.

4 C051 High Temperature Exhaust Paint - Black A/R

4 C050 High Temperature Exhaust Paint - Silver A/R

4 C052 High Temperature Exhaust Paint - Red A/R

4 C053 High Temperature Exhaust Paint - White A/R

5 C097 Exhaust Jointing Seal A/R

**Telephone: 01954 230928 Fax: 01954 231923, Email: sales@mgocspares.co.uk
Buy Online at www.mgocspares.co.uk**

TRANSMISSION:

MANUAL GEARBOX

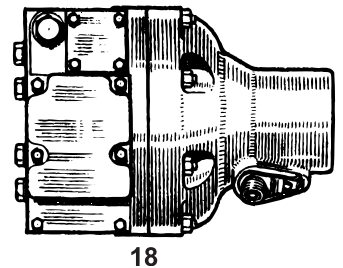
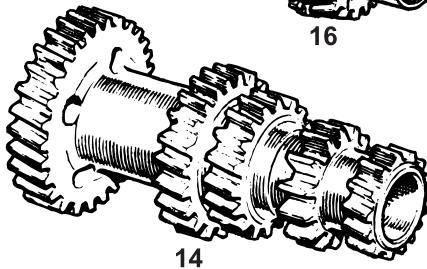
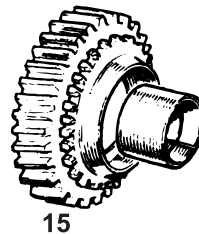
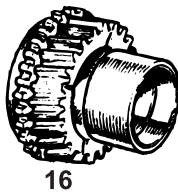
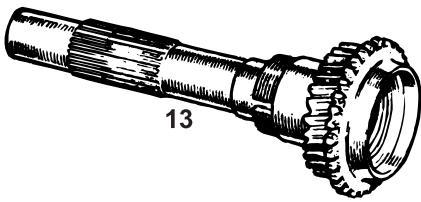
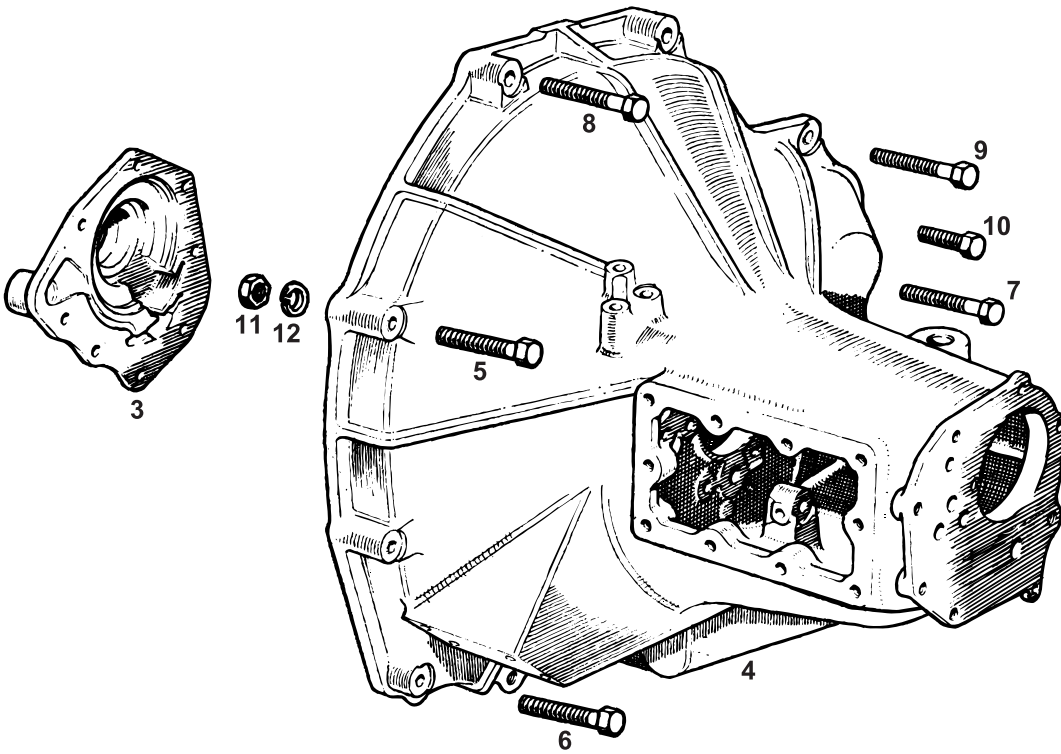
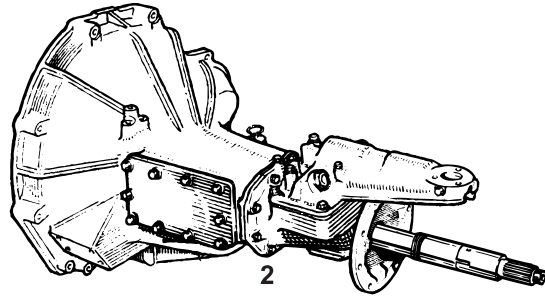
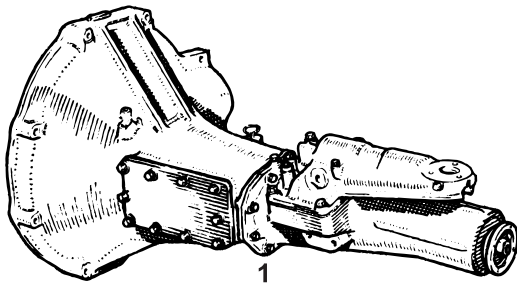
OVERDRIVE

AUTOMATIC GEARBOX





**MGC
&
MGC GT**



© 2007 MGOC Spares Ltd

Telephone: 01954 230928 Fax: 01954 231923, Email: sales@mgocspares.co.uk

The MGC manual gearbox is almost exactly the same as the 4 synchromesh MGB gearbox. The only parts that differ are as follows:

Front Cover	The clutch release arm pivot point is relocated
Main Casing	The clutch housing profile follows that of the MGC's rear engine plate and the gearbox to engine attachment hardware follows suit
Gears	The ratios are usually higher than MGB, affecting the 1st motion shaft, laygear, 2nd and 3rd gears (the only exception being the earliest non-overdrive MGCs, which originally retained the lower MGB ratios)

As a result, only the gears and the casing details differing from those listed in the MGOC Spares MGB Parts Catalogue are listed here; for all other parts - both internal and external - please refer to the 4 Synchromesh Gearbox sections in that publication. Note also that the MGC clutch release arm and gaiter details differ from MGB. These may be found in the Clutch and Propshaft section in this catalogue.

1	22B438E	Gearbox - Non Overdrive - Low Ratio	1] Up to engine nos. 29G 3200 and 29GA 1400. One for one exchange Application as per 22B438E. Customer's own unit reconditioned Includes increased number of new parts, over and above standard reconditioning scheme
1	22B438QE	Gearbox - Non Overdrive - Low Ratio	1	
1	68G384E	Gearbox - Non Overdrive - High Ratio	1] Eng. nos. 29G 3201, 29GA 1401, 29GB 101 on. One for one exchange Application as per 68G384E. Customer's own unit reconditioned Includes increased number of new parts, over and above standard reconditioning scheme
1	68G384QE	Gearbox - Non Overdrive - High Ratio	1	
2	22B411E	Gearbox - Overdrive - High Ratio	1] All overdrive models. One for one exchange Application as per 22B411E. Customer's own unit reconditioned Includes increased number of new parts, over and above standard reconditioning scheme
2	22B411QE	Gearbox - Overdrive - High Ratio	1	
3	22B384	Cover - Gearbox - Front	1	
4	22B514	Casing - Gearbox - Main	1	
5	BH606281	Bolt - Gearbox to Mounting Plate - Long	3	
6	BH606221	Bolt - Gearbox to Mounting Plate - Medium	2	
7	BH606181	Bolt - Gearbox to Mounting Plate - Short	1	
8	GHF126	Bolt - Gearbox to Crankcase	2	
9	BH606221	Bolt - Starter to Gearbox	1	
10	SH606111	Screw - Starter to Mounting Plate	1	
11	GHF202	Nut	7	
12	GHF333	Washer - Spring	10	
13	22B556	Shaft - 1st Motion	1] Non-overdrive, up to engine nos. 29G 3200 and 29GA 1400. Non-overdrive, engine nos. 29G 3201 on, 29GA 1401 on, 29GB 101 on. All overdrive models.
13	22B564	Shaft - 1st Motion	1	
14	22B557	Laygear	1] Non-overdrive, up to engine nos. 29G 3200 and 29GA 1400. Non-overdrive, engine nos. 29G 3201 on, 29GA 1401 on, 29GB 101 on. All overdrive models.
14	22B565	Laygear	1	
15	DAM6228	Gear - 2nd Speed	1] Non-overdrive, up to engine nos. 29G 3200 and 29GA 1400. Non-overdrive, engine nos. 29G 3201 on, 29GA 1401 on, 29GB 101 on. All overdrive models.
15	22B566	Gear - 2nd Speed	1	
16	DAM6230A	Gear - 3rd Speed	1] Non-overdrive, up to engine nos. 29G 3200 and 29GA 1400. Non-overdrive, engine nos. 29G 3201 on, 29GA 1401 on, 29GB 101 on. All overdrive models.
16	22B568	Gear - 3rd Speed	1	
17	22B469	Pinion - Speedometer	1] Non-overdrive, up to engine nos. 29G 3200 and 29GA 1400. Non-overdrive, engine nos. 29G 3201 on, 29GA 1401 on, 29GB 101 on. All overdrive models.
17	22B471	Pinion - Speedometer	1	

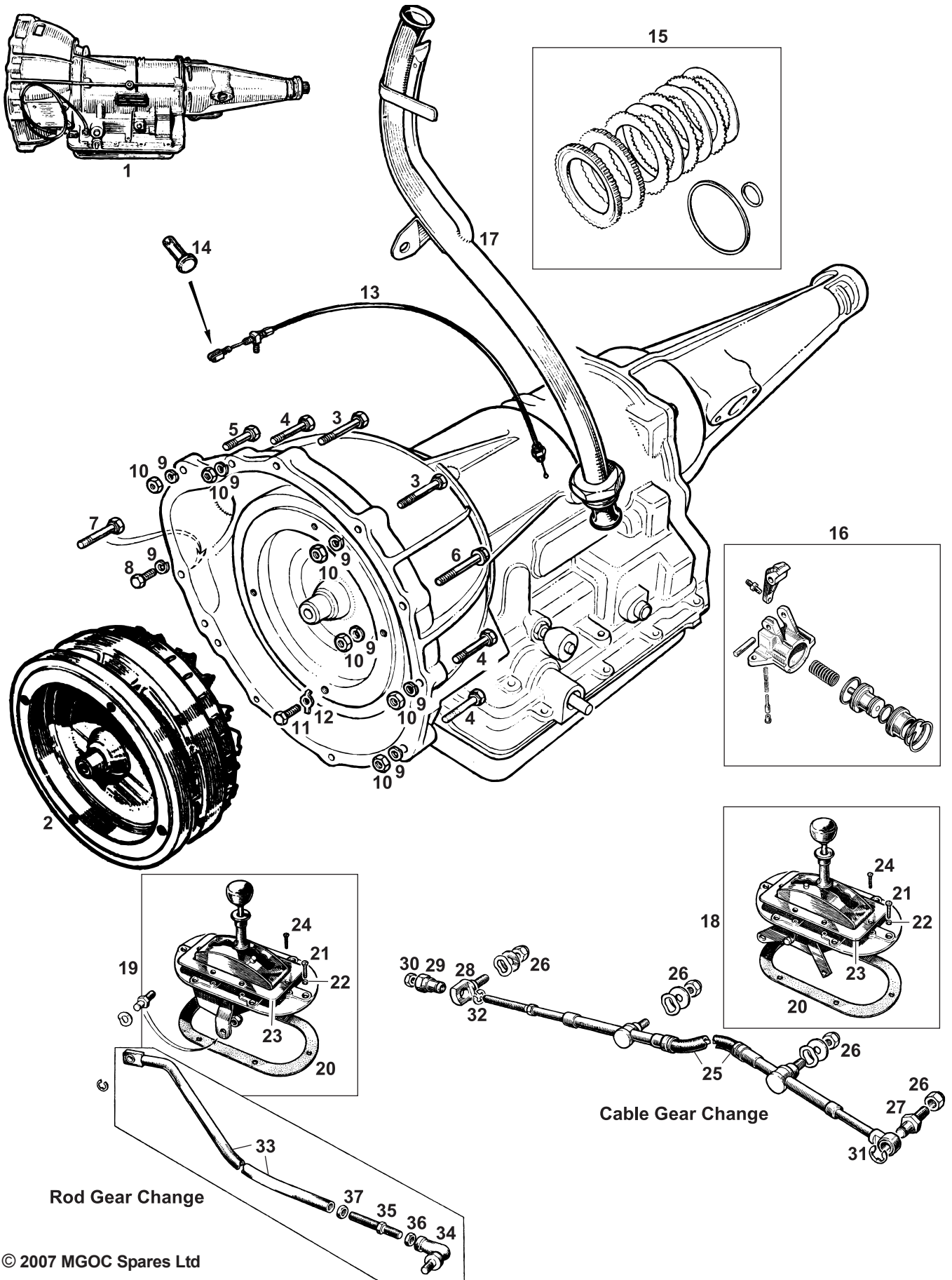
The MGC overdrive unit is unsurprisingly the same Laycock LH unit fitted to chrome bumper MGBs with 4 synchromesh gearboxes, but fitted with a different clutch engagement spring and relief valve (neither of which are available as new parts). For all other details, please refer to the 4 Synchro Overdrive section in the MGOC Spares MGB Parts Catalogue.

18	22B687E	Overdrive Unit - LH Type - 1280TPM	1	One for one exchange
----	---------	------------------------------------	---	----------------------

**Telephone: 01954 230928 Fax: 01954 231923, Email: sales@mgocspares.co.uk
Buy Online at www.mgocspares.co.uk**



**MGC
&
MGC GT**



© 2007 MGOC Spares Ltd

Telephone: 01954 230928 Fax: 01954 231923, Email: sales@mgocspares.co.uk

The MGC automatic gearbox is a mildly modified version of the Borg Warner Type 35 transmission to be found in the MGB automatic models. The only differences are as follows:

Main Casing	Incorporates unions to feed the oil to the MGC's gearbox oil cooler
Torque Converter Housing	Profile follows that of the MGC's rear engine plate and the gearbox to engine attachment hardware follows suit
Torque Converter	Redesigned to match dimensions and torque of MGC engine
Kickdown Cable	Attachment method changed to match MGC throttle linkage
Rear Clutch Plate Assembly	Higher torque specification
Front Servo	On the MGC it incorporates an exhaust valve
Governor	Valve body modified for MGC performance
Dipstick Tube	Revised profile to clear MGC engine bay

In addition, very early automatic MGCs (up to chassis number 1299) used a cable gear change mechanism whereas all later models adopted the far more simple MGB rod change system in its entirety. The selector assembly on the gearbox tunnel is mostly the same between cable and rod change models, the only difference being the fulcrum pin under the selector lever which is on the LH side for cable change models and the RH side for rod change.

Customers should use the Automatic Gearbox section in the MGOC Spares MGB Parts Catalogue for the majority of MGC automatic gearbox components, referring to this page only for components unique to the MGC.

1	22B421E	Gearbox - Automatic - Reconditioned (including converter)	1	} Customer's own unit reconditioned
2	37H2960E	Torque Converter - Reconditioned	1	
3	GHF126	Bolt - Gearbox to Crankcase	2	} Customer's own unit reconditioned
4	BH606221	Bolt - Gearbox to Rear Plate - Long	3	
5	BH606201	Bolt - Gearbox to Rear Plate - Short	1	
6	22B352	Dowel Bolt - Gearbox to Rear Plate	2	
7	BH606221	Bolt - Gearbox to Starter Motor	1	
8	SH606091	Screw - Starter Motor to Rear Plate	1	
9	GHF333	Washer - Spring	10	
10	GHF202	Nut	7	
11	22B231	Screw - Drive Plate to Converter	4	
12	12H537	Lock Tab	4	
13	27H8595	Cable - Kickdown	1	
14	AUC2381	Clevis Pin - Kickdown Cable	1	
15	GAB606	Clutch Plate Kit - Rear	1	
16	27H8587	Servo Assembly - Front	1	
17	AHC753	Tube - Dipstick	1	
18	AHC319	Selector Assembly	1	} Up to chassis number 1299; cable change Chassis number 1300 on; rod change
19	AHH8548	Selector Assembly	1	
20	AHC188	Seal - Gearbox Tunnel	1	
21	SF604061	Screw - Selector to Tunnel	6	
22	6K9012	Washer - Shakeproof	6	
23	AHC215	Retainer - Carpet	1	
24	RMP308	Screw - Retainer to Selector	6	
25	AHC312	Cable - Selector Control	1	} Up to chassis number 1299; cable change
26	GHF272	Nut - Nyloc - Cable Trunnion Attachment	4	
27	AHC225	Trunnion - Cable to Selector	1	
28	AHC227	Trunnion - Cable to Gearbox	1	
29	AHC226	Nut - Cable Adjustment	1	
30	NT604041	Nut - Lock	1	
31	BHA4567	Circlip - Selector Trunnion	1	
32	BHA4570	Circlip - Adjustment Nut	1	} Chassis number 1300 on; rod change
33	AHH8544	Rod - Selector Control	1	
34	TT9941	Ball Joint - Rod	1	
35	AHH8547	Adjuster - Rod	1	
36	NT605041	Nut - RH Thread	1	
37	FNZ2205	Nut - LH Thread	1	

**Telephone: 01954 230928 Fax: 01954 231923, Email: sales@mgocspares.co.uk
Buy Online at www.mgocspares.co.uk**

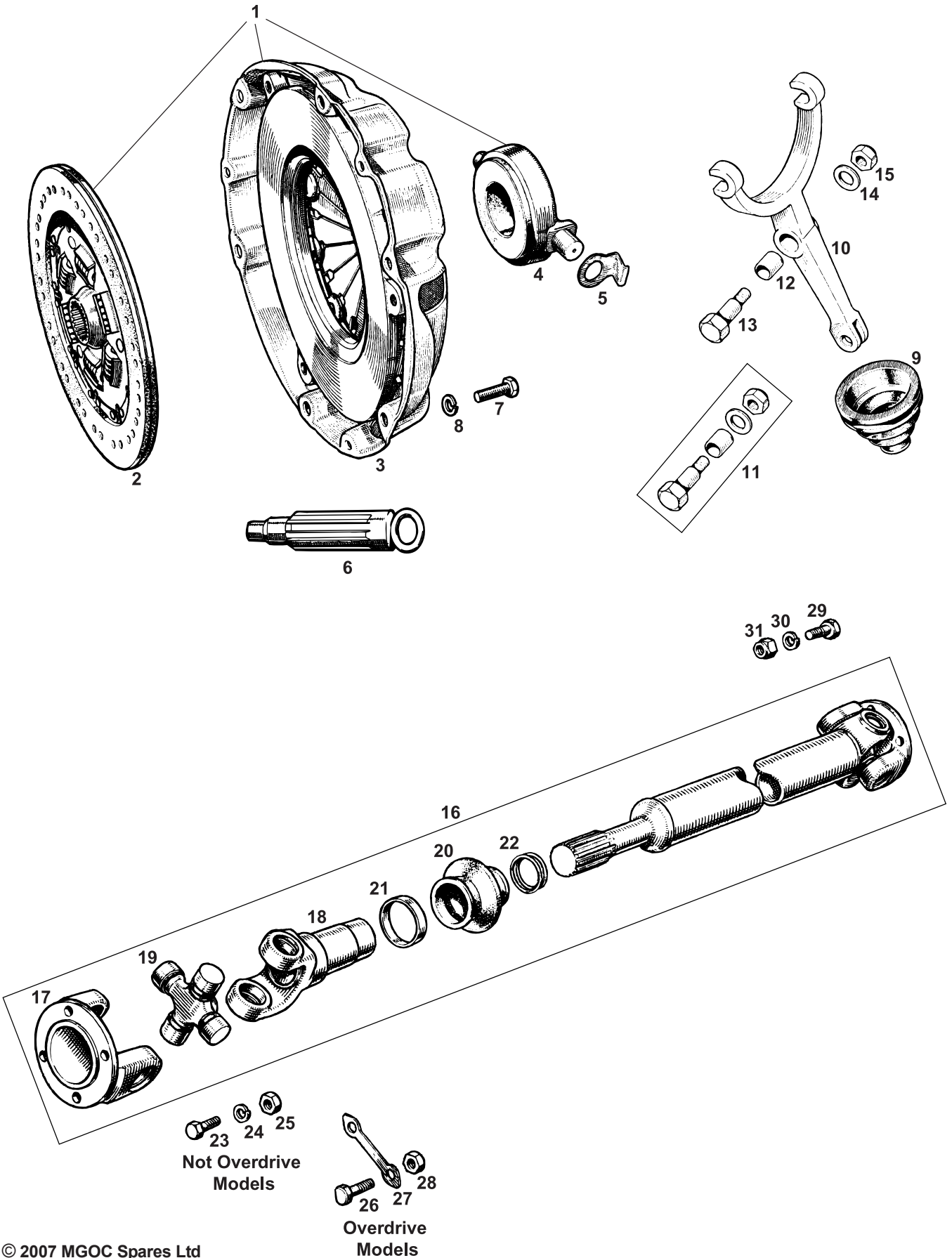
DRIVE TRAIN:

CLUTCH

PROPSHAFT

AXLE







MGC & MGC GT



1	GCK306	Clutch Kit - 3 Piece	1	
2	GCP110	Clutch Plate	1	
3	GCC112	Clutch Cover	1	
4	GRB104	Release Bearing	1	
5	22B66	Clip - Bearing	2	
6	GAC5058	Clutch Alignment Tool	1	Also fits MGB 1965 on
7	GHF120	Screw - Clutch to Flywheel	6	
8	GHF332	Washer - Spring	6	
9	22B450	Gaiter - Release Arm	1	
10	22B382	Release Arm	1	
11	RAK1	Fitting Kit - Release Arm	1	
12	11G3195	Bush - Release Arm	1	
13	11G3196	Bolt - Release Arm	1	
14	12H2178	Washer - Plain	1	
15	GHF223	Nut - Nyloc	1	
16	AHC113	Propshaft Assembly - New	1	
16	AHC113E	Propshaft Assembly - Reconditioned	1	One for one exchange
17	600656	Flange - Yoke	2	
18	27H8095	Sleeve - Yoke	1	
19	GUJ108	Universal Joint - Sealed	2	
20	140753	Gaiter - Yoke	1	
21	27H8097	Clip - Gaiter - Large	1	
22	27H8100	Clip - Gaiter - Small	1	
23	53K117	Bolt - Gearbox Flange	4	
24	WL600051	Washer - Spring	4	Not overdrive models
25	GHF323	Nut - Nyloc	4	
26	22B483	Bolt - Gearbox Flange	4	
27	2K5914	Lock Tab	2	Overdrive models
28	GHF202	Nut	4	
29	53K1048	Bolt - Axle Flange	4	
30	WL600051	Washer - Spring	4	
31	GHF323	Nut - Nyloc	4	

**Telephone: 01954 230928 Fax: 01954 231923, Email: sales@mgocspares.co.uk
Buy Online at www.mgocspares.co.uk**



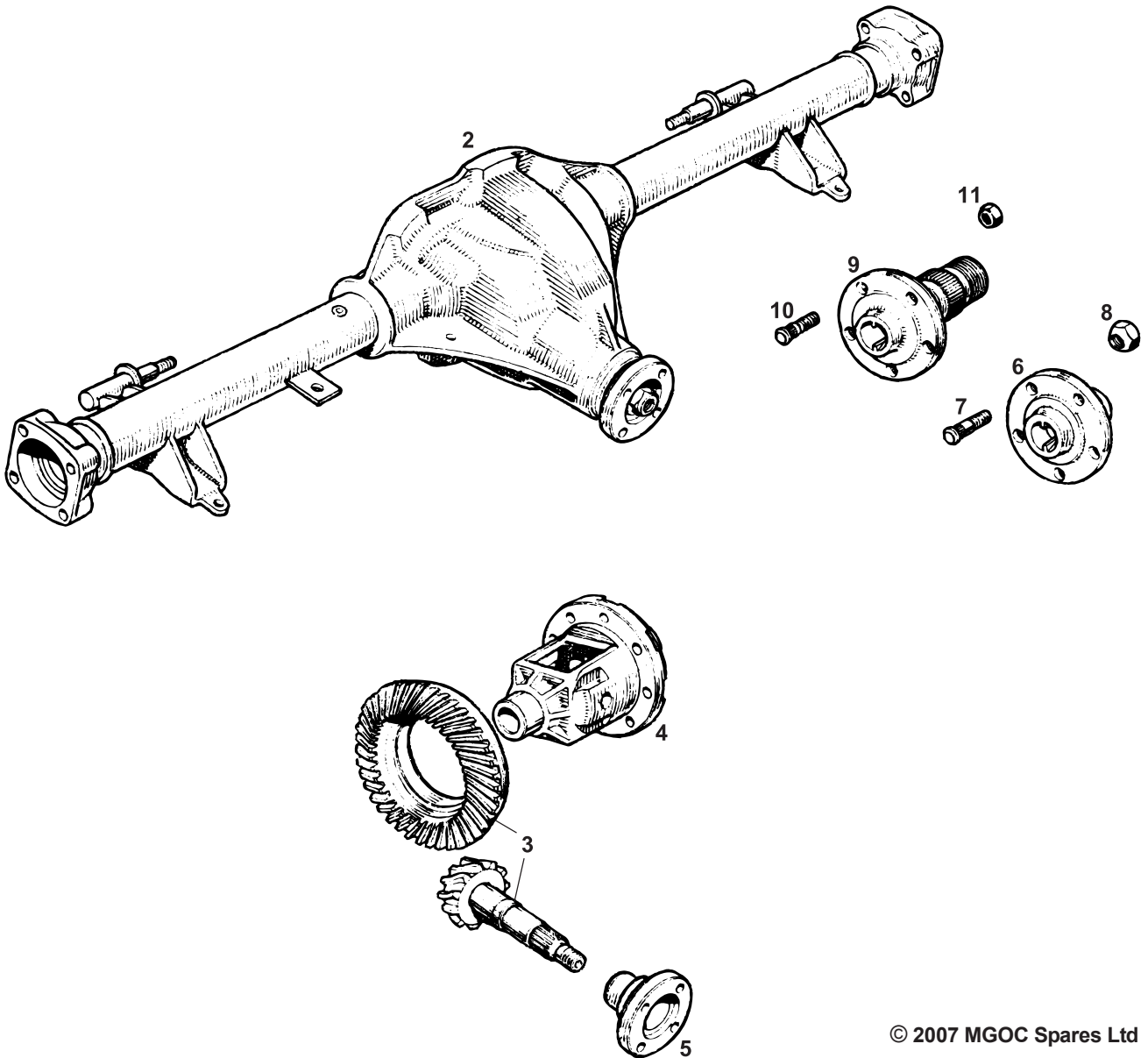
MGC
&
MGC GT



1



12



© 2007 MGOC Spares Ltd

Telephone: 01954 230928 Fax: 01954 231923, Email: sales@mgocspares.co.uk

The MGC rear axle assembly, like most of the car's drive train, is a slightly modified version of that fitted to concurrent MGBs. The only differences are as follows:

Crown Wheel and Pinion	Different ratios fitted for MGC models
Differential cage	Modified for MGC crown wheel and pinion sets
Propshaft Flange	More substantial for MGC fitment
Drive Flanges	Sturdier 5 stud fixing flanges used on MGCs

The different axle ratios were applied to MGC models thus:

Non-overdrive models	3.071:1 fitted up to chassis number 4235 (Roadster) and 4265 (GT) 3.307:1 fitted from chassis number 4236 (Roadster) and 4266 (GT)
Overdrive models	3.307:1 fitted up to chassis number 4235 (Roadster) and 4265 (GT) 3.7:1 fitted from chassis number 4236 (Roadster) and 4266 (GT)
Automatic models	3.307:1 fitted to all cars

Please refer to the 'Axle - Tube' section of the MGOC MGB Parts Catalogue for all MGC axle components, excepting the MGC unique items listed on this page.

1 G940 Limited Slip Differential - Quaife 1

With a standard MG differential, if one wheel loses grip the other loses power immediately. The limited slip differential compensates by transferring power evenly to both wheels, providing excellent grip when accelerating fast or when cornering hard.

2 BTB1068E	Rear Axle - Recon - 3.071:1 - Steel Wheels	1	Customer's own unit reconditioned
2 BTB1058E	Rear Axle - Recon - 3.307:1 - Steel Wheels	1	} One for one exchange item
2 BTB1130E	Rear Axle - Recon - 3.7:1 - Steel Wheels	1	
2 BTB1069E	Rear Axle - Recon - 3.071:1 - Wire Wheels	1	Customer's own unit reconditioned
2 BTB1059E	Rear Axle - Recon - 3.307:1 - Wire Wheels	1	} One for one exchange item
2 BTB1131E	Rear Axle - Recon - 3.7:1 - Wire Wheels	1	
3 BTB900	Crown Wheel and Pinion - 3.071:1	1	14/43 teeth
3 BTB841	Crown Wheel and Pinion - 3.307:1	1	13/43 teeth
3 BTB1244	Crown Wheel and Pinion - 3.7:1	1	10/37 teeth
4 BTB840	Cage - Differential	1	
5 BTB855	Flange - Propshaft	1	
6 BTB864	Flange - Driving	2	
7 BTB229	Stud - Wheel	10	} Steel Wheels
8 BTB354	Nut - Wheel	10	
9 BTB858	Flange - Driving - Splined - RH	1	} Wire Wheels
9 BTB860	Flange - Driving - Splined - LH	1	
10 BTB187	Stud - Brake Drum	10	
11 BTB728	Nut - Brake Drum to Flange	10	
12 W165	Wire Wheel Conversion Kit	1	

This MGC wire wheel conversion kit includes specially adapted rear splined drive flanges to compensate for the greater width of the steel wheel axle being converted, creating the correct wheel arch clearance necessary for wire wheel fitment.

**Telephone: 01954 230928 Fax: 01954 231923, Email: sales@mgocspares.co.uk
Buy Online at www.mgocspares.co.uk**

SUSPENSION:

FRONT SUSPENSION

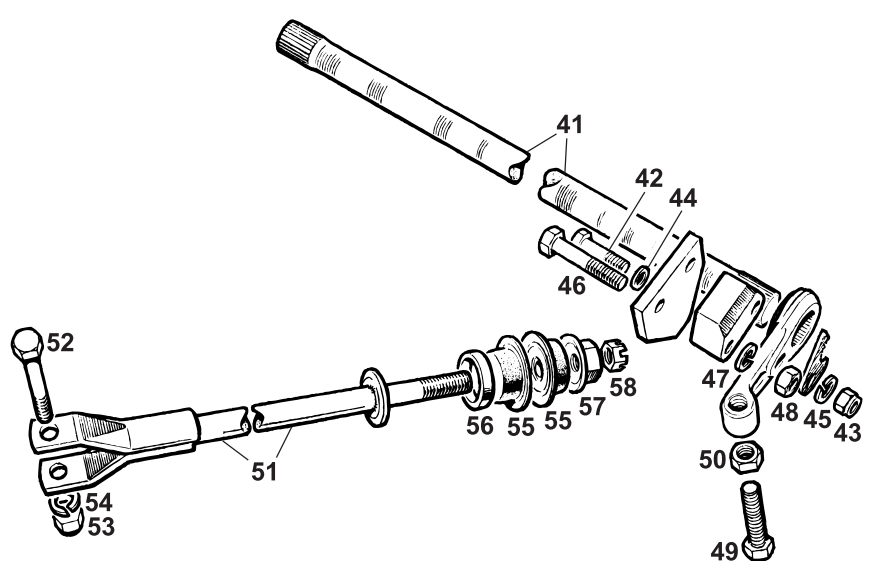
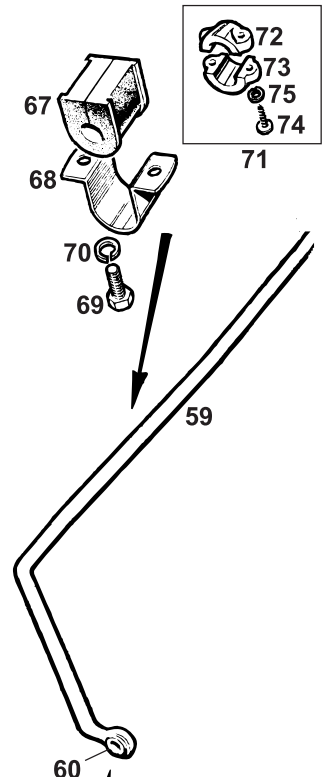
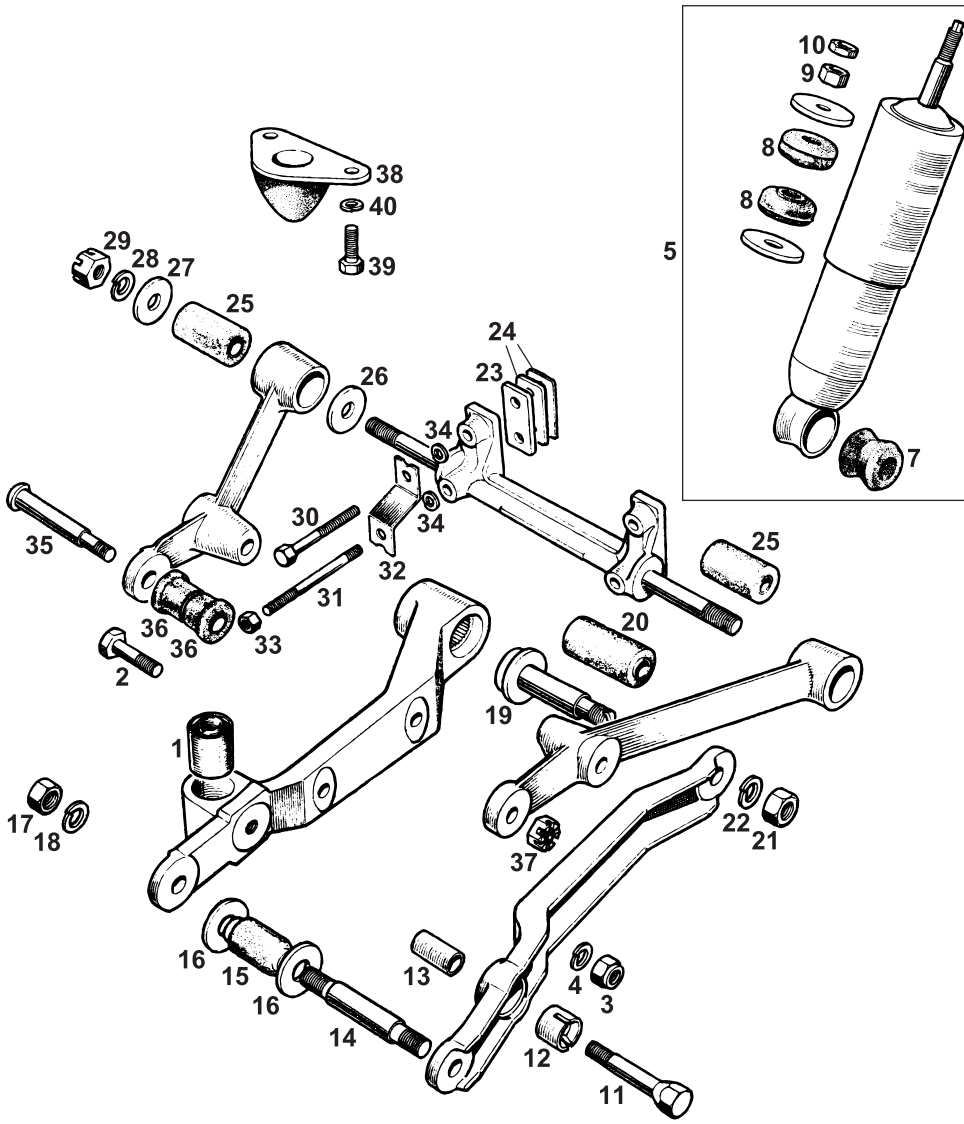
STUB AXLES/HUBS

REAR SUSPENSION





**MGC
&
MGC GT**



© 2007 MGOC Spares Ltd



MGC & MGC GT



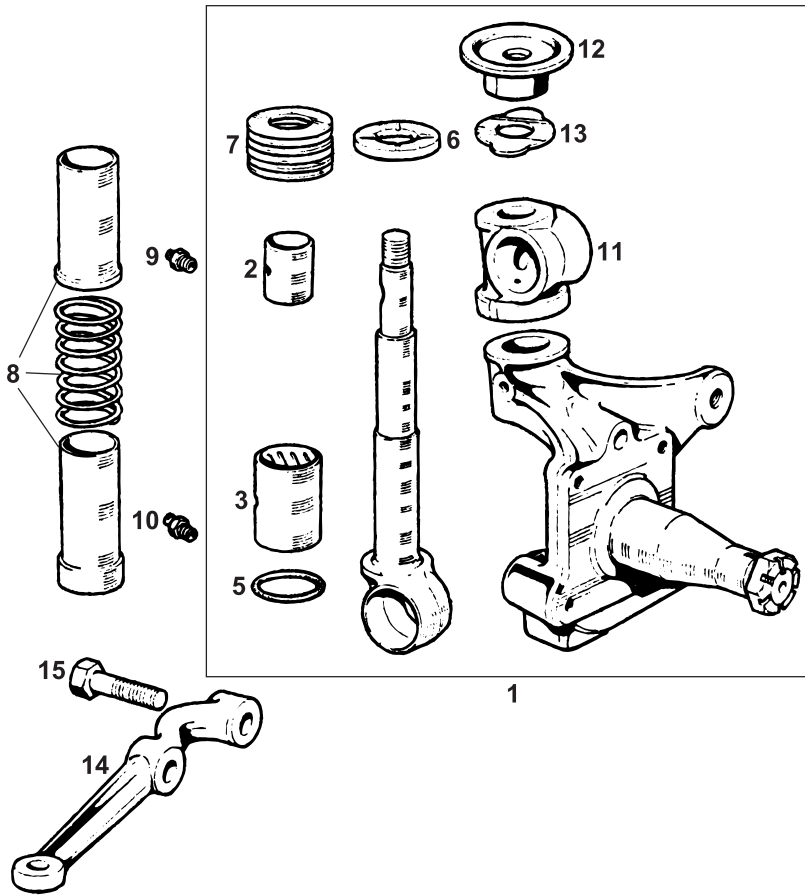
1	BTB827	Bush - Lower Rear Arm	2
2	BH606131	Bolt - Lower Arm Assembly	4
3	GHF223	Nut - Nyloc	4
4	GHF333	Washer - Spring	4
5	GSA121	Shock Absorber - Standard	2
6	H035	Shock Absorbers - Spax Gas Filled - Pair	1

Spax telescopic shock absorbers are gas-filled with a 14 point, instantly adjustable mechanism varying from soft to hard ride within seconds.

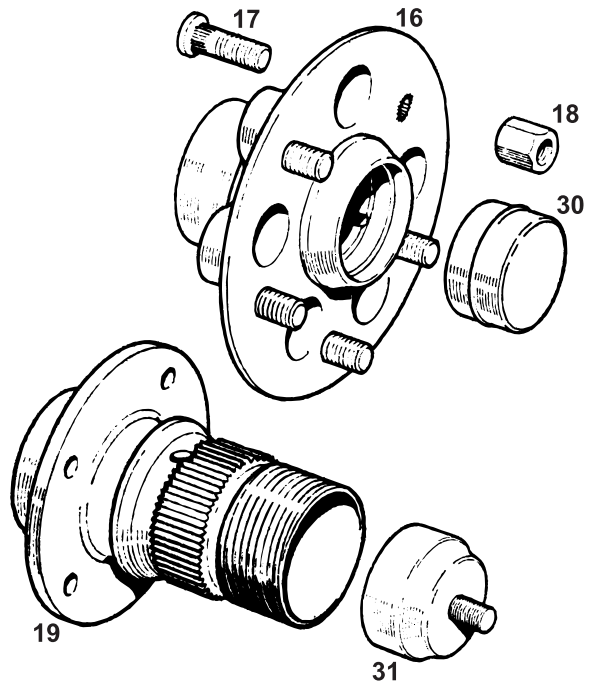
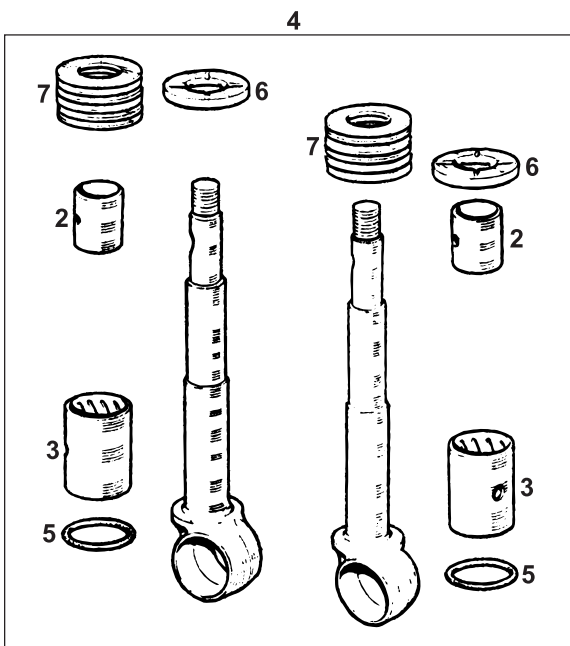
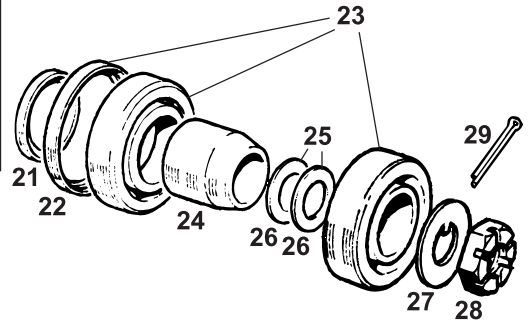
H055A	Shock Absorbers - Gaz Gas Filled - Pair	1	(not illustrated)
-------	---	---	-------------------

Gaz telescopic shock absorbers are zinc plated and freon gas-filled with very positive adjustment through 32 settings.

7	27H8870	Bush - Shock Absorber - Lower	2
8	21A860	Bush - Shock Absorber - Upper	4
9	GHF202	Nut	2
10	NT605041	Nut - Lock	2
11	AHC82	Pin - Lower	2
12	AHC84	Collar - Split	2
13	AHC83	Distance Tube	2
14	AHC81	Pin - Swivel - Bottom	2
15	AHC722	Bush - Lower Arm - Outer	2
16	AHC724	Washer - Bush	4
17	FNZ508	Nut - High Tensile	4
18	GHF335	Washer - Spring	4
19	AHC650	Fulcrum - Inner	2
20	AHC653	Bush - Fulcrum	2
21	FNZ508	Nut - High Tensile	2
22	GHF335	Washer - Spring	2
23	AHC594	Shim - Pivot Bracket - 0.120"	4
24	AHC90	Shim - Pivot Bracket - 0.064"	A/R
24	AHC150	Shim - Pivot Bracket - 0.036"	A/R
25	BTB818	Bush - Top Arm Pivot	4
26	BTB819	Washer - Inner	4
27	BTB820	Washer - Outer	4
28	GHF335	Washer - Spring	4
29	FNZ708	Nut - Slotted	4
30	BH605141	Bolt - Pivot Bracket	4
31	AHC782	Stud - Pivot Bracket	4
32	AHC292	Plate - Lock - Pivot Bracket	4
33	GHF201	Nut	4
34	GHF332	Washer - Spring	8
35	1G4349	Pin - Link - Top	2
36	8G621	Bush - Link - Top	4
37	NL607041	Nut - Slotted	2
38	AHC58	Bump Stop	2
39	GHF120	Screw - Bump Stop	4
40	GHF332	Washer - Spring	4
41	AHC238	Bar - Torsion	2
42	BH605141	Bolt - Vernier Lever	2
43	GHF222	Nut - Nyloc	2
44	GHF301	Washer - Plain	2
45	GHF332	Washer - Spring	2
46	BH606201	Bolt - Vernier Block and Plate	4
47	GHF333	Washer - Spring	4
48	GHF202	Nut	4
49	AHC46	Bolt - Vernier	2
50	FNZ208	Nut - Lock	2
51	AHC49	Tie Bar	2
52	AHC147	Bolt - Tie Bar	2
53	GHF224	Nut - Nyloc	2
54	GHF334	Washer - Spring	2
55	AHC406	Bush - Tie Bar	4
56	ACG4020	Retainer - Bush	2
57	AHC73	Nut - Flanged	2
58	NL608041	Nut - Slotted	2
59	AHC53	Bar - Anti Roll	1
60	AHH5939	Bush - Anti Roll Bar	2
61	AHC56	Link - Anti Roll Bar	2
62	GHF203	Nut	2
63	GHF334	Washer - Spring	2
64	AHC146	Bolt - Link to Anti Roll Bar	2
65	GHF274	Nut - Nyloc	2
66	GHF334	Washer - Spring	2
67	11H460	Bush - Mounting Anti Roll Bar	2
68	11H459	Strap - Bush	2
69	GHF120	Screw - Mounting to Body	4
70	GHF332	Washer - Spring	4
71	11H462K	Anti Roll Bar Stop Kit	2
72	11H462	Stop - Upper	2
73	11H463	Stop - Lower	2
74	PMZ312	Screw - Stop	4
75	WL700101	Washer - Spring	4



20





MGC & MGC GT

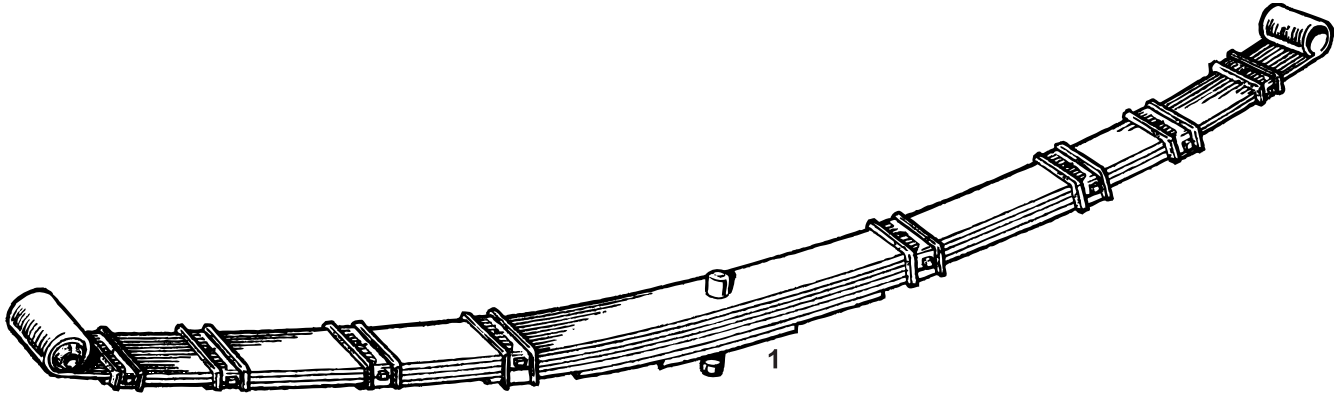


1	BTB798E	Swivel Axle - RH - Reconditioned	1	} One for one exchange
1	BTB799E	Swivel Axle - LH - Reconditioned	1	
2	1B4610	Bush - Top	2	
3	1B4611	Bush - Bottom	2	
4	8G4230/1	Swivel Pin Kit - Pair	1	
5	TRS1721	Ring - Sealing	4	
6	ATC4264	Washer - Thrust	2	
7	ATC4261	Washer - Thrust - Floating	A/R	0.052 to 0.057"
7	ATC4262	Washer - Thrust - Floating	A/R	0.058 to 0.063"
7	ATC4263	Washer - Thrust - Floating	A/R	0.064 to 0.069"
8	21B225K	Dust Excluder Tube Kit	2	
9	UHN400	Nipple - Grease - Straight	2	
10	UHN445	Nipple - Grease - 45°	2	
11	BTB804	Trunnion - Top - RH	1	
11	BTB805	Trunnion - Top - LH	1	
12	BTB831	Pad - Reaction	2	
13	BTB834	Lock Tab - Reaction Pad	2	
14	BTB806	Lever - Steering - RH	1	
14	BTB807	Lever - Steering - LH	1	
15	BTB410	Bolt - Steering Lever	4	
16	BTB813	Hub - Wheel	2	} Steel Wheels
17	BTB187	Stud - Wheel	10	
18	BTB354	Nut - Wheel	10	
19	BTB878	Hub - Wheel - Splined - RH	1	} Wire Wheels
19	BTB879	Hub - Wheel - Splined - LH	1	
20	W165	Wire Wheel Conversion Kit	1	

This MGC wire wheel conversion kit includes specially adapted rear splined drive flanges to compensate for the greater width of the steel wheel axle being converted, creating the correct wheel arch clearance necessary for wire wheel fitment.

21	BTB183	Collar - Oil Seal	2	
22	GHS101	Seal - Oil	2	
23	GHK1005	Wheel Bearing Kit	2	} Kit includes inner bearing, outer bearing and oil seal
24	88G484	Spacer - Bearing	2	
25	ATB4242K	Shim Kit - Wheel Bearing	2	
26	ATB4240	Shim - Wheel Bearing - 0.008"	A/R	
26	ATB4241	Shim - Wheel Bearing - 0.005"	A/R	
26	ATB4242	Shim - Wheel Bearing - 0.010"	A/R	
26	BTB656	Shim - Wheel Bearing - 0.030"	A/R	
27	1A4742	Washer - Retaining	2	
28	53K330	Nut - Slotted	2	
29	GHF505	Split Pin	2	
30	ATB4098	Cap - Grease	2	Steel wheels
31	BTC392	Cap - Grease	2	Wire wheels

**Telephone: 01954 230928 Fax: 01954 231923, Email: sales@mgocspares.co.uk
Buy Online at www.mgocspares.co.uk**



© 2007 MGOC Spares Ltd



**MGC
&
MGC GT**



All components of the MGC rear suspension are the same as those used on chrome bumper tube axle MGB models, with the exception of the MGC unique leaf spring assemblies which are listed here. Please refer to the 'Suspension Rear' section of the MGOC Spares MGB Parts Catalogue for all other MGC rear suspension parts.

1	AHC797	Rear Spring Assembly	2	Roadster
1	AHC791	Rear Spring Assembly	2	GT

**Telephone: 01954 230928 Fax: 01954 231923, Email: sales@mgocspares.co.uk
Buy Online at www.mgocspares.co.uk**

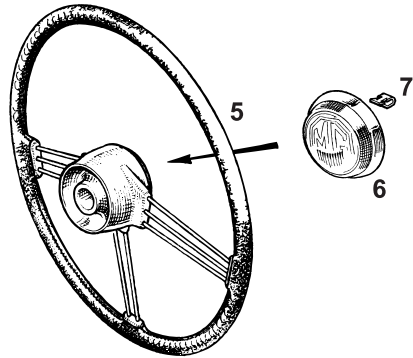
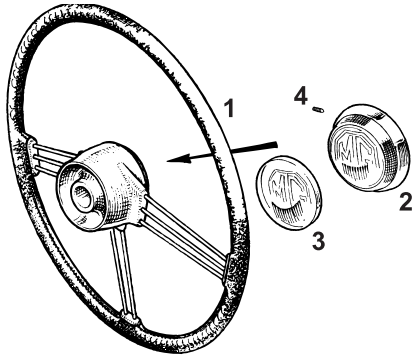
STEERING:

***STEERING WHEELS
COLUMNS
RACK***





MGC
&
MGC GT



© 2007 MGOC Spares Ltd

Telephone: 01954 230928 Fax: 01954 231923, Email: sales@mgocspares.co.uk



1	AHC882	Steering Wheel - Leather Rim - MGC Type	1] Not USA; not Canada 1968 on. For models with horn push
1	AHH9284	Steering Wheel - Plain Rim - MGB Type	1	
2	AHH6319	Horn Push - Original Style	1	
3	57H5593	Badge - Horn Push	1	
4	53K2613	Grub Screw - Horn Push Retaining	3] USA; Canada 1968 on. For models without horn push
5	AHC883	Steering Wheel - Leather Rim - MGC Type	1	
5	AHH9285	Steering Wheel - Plain Rim - MGB Type	1	
6	AHH8682	Motif - Steering Wheel Centre	1	
7	613766	Clip - Motif Retaining	3	
8	S131	Steering Wheel - Wood	1	

Reproduction of the 1960s competition wheel with machine-turned patterning on the spokes.

9	S100	Steering Wheel - Moto Lita - 13" - Wood	1] Flat spokes
9	S101	Steering Wheel - Moto Lita - 14" - Wood	1	
9	S102	Steering Wheel - Moto Lita - 14" - Wood	1] Dished spokes
9	S103	Steering Wheel - Moto Lita - 15" - Wood	1	
9	S104	Steering Wheel - Moto Lita - 15" - Wood	1] Dished spokes
10	S110	Steering Wheel - Moto Lita - Walnut Rim	1	

Handmade wheel with walnut rim to complement interior walnut fascias and fittings. Available with new aluminium boss billet, standard boss or classic horn push.

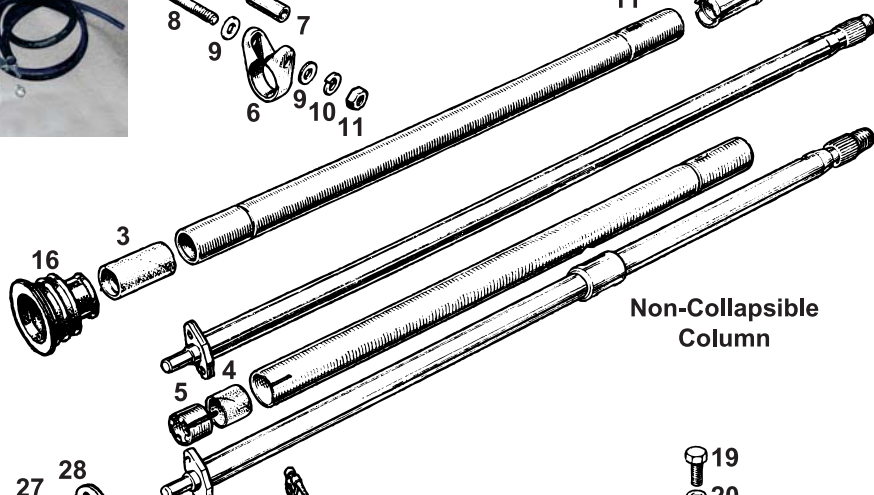
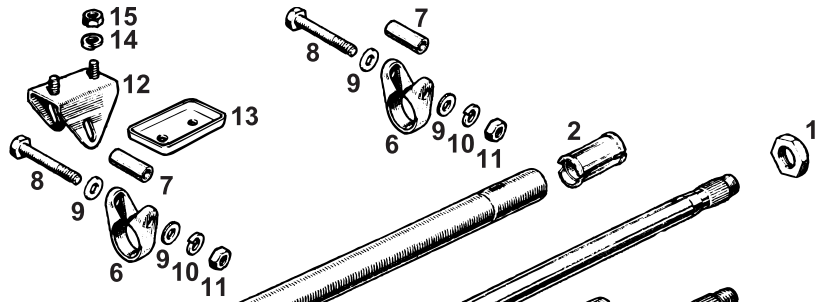
11	S120	Steering Wheel - Moto Lita - 13" - Leather	1] Flat spokes
11	S121	Steering Wheel - Moto Lita - 14" - Leather	1	
11	S122	Steering Wheel - Moto Lita - 14" - Leather	1] Dished spokes
11	S123	Steering Wheel - Moto Lita - 15" - Leather	1	
12	S207	Steering Wheel - Club - 13.5" - Wood	1] Semi-dished spokes
13	S200	Steering Wheel - Club - 13" - Leather	1	
13	S201	Steering Wheel - Club - 14" - Leather	1] Black spokes
14	S204	Steering Wheel - Club - 13" - Leather	1	
14	S205	Steering Wheel - Club - 14" - Leather	1] Polished spokes
15	S301	Steering Wheel - Momo Prototipo - 350mm	1	
16	S161	Boss Kit - Moto Lita - Without Screws	1] Moto Lita wheels include screws
17	S213	Boss Kit - Club - With Screws	1	
	S222	Screw Pack - Club Boss	1] Club wheels do not include screws
18	S293	Boss Kit - Momo - With Screws	1	
19	S153	Wheel Centre - Aluminium - No Horn Push	1] Momo wheels do not include screws
20	S151	Wheel Centre - Aluminium - Horn Push	1	
21	S150	Wheel Centre - Aluminium - Horn Push	1] Leaves wheel screws exposed
22	S145	Wheel Centre - Classic Style - Horn Push	1	

As fitted to early MGB/MGC, the attractive Classic Style centre incorporates the Club's own fitting modification and can be fitted to Moto Lita or competition wheels.

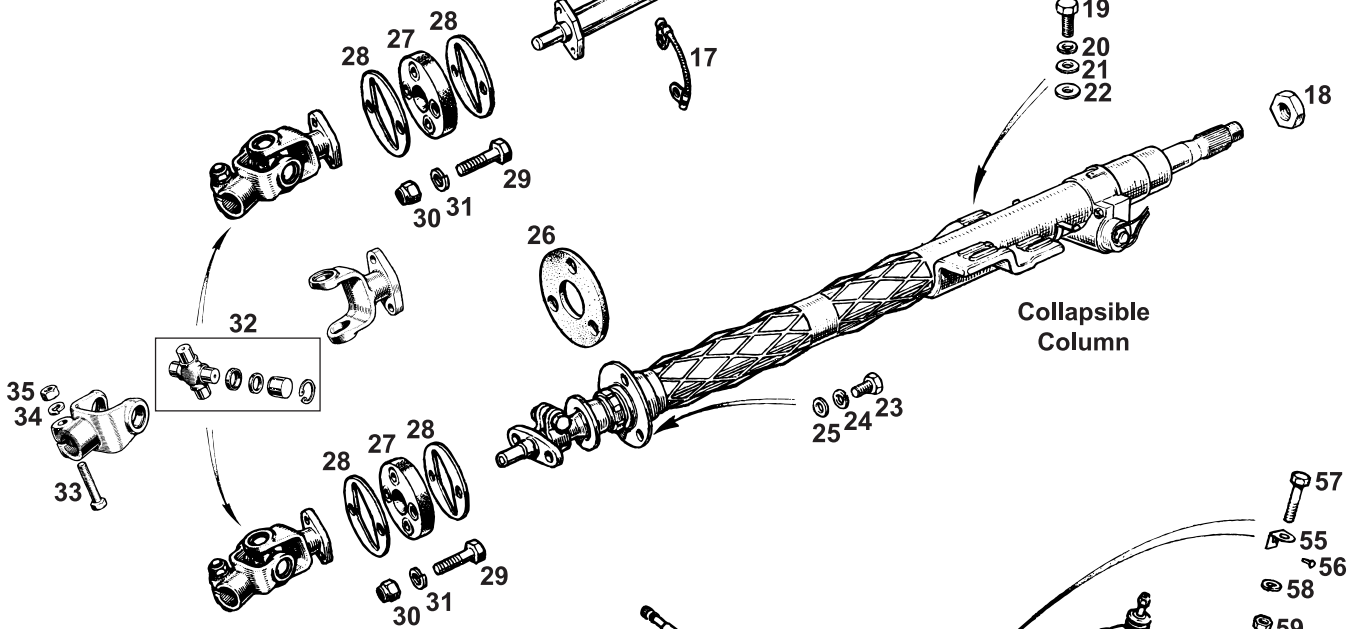
**Telephone: 01954 230928 Fax: 01954 231923, Email: sales@mgocspares.co.uk
Buy Online at www.mgocspares.co.uk**



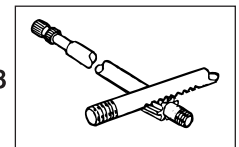
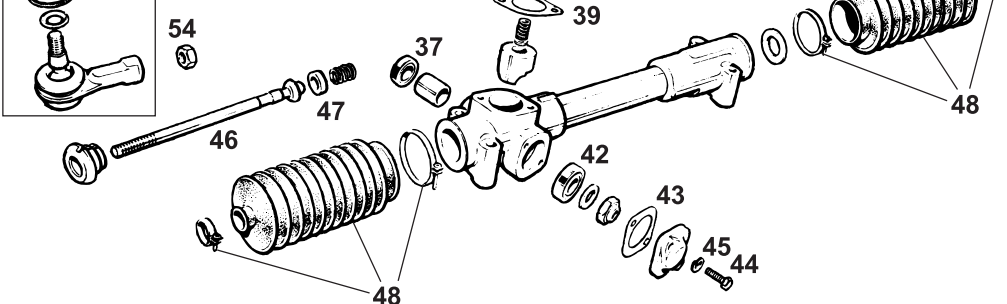
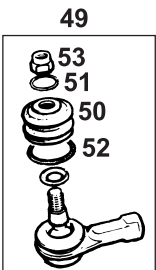
60



Non-Collapsible Column



Collapsible Column





1	ACH6001	Nut - Steering Wheel Retaining	1	
2	GSV1095	Bush - Column - Upper	1	
3	17H6565	Bush - Column - Lower - No Steering Lock	1	
4	13H569	Bush - Column - Lower - For Steering Lock	1	
5	13H568	Clip - Lower Bush - For Steering Lock	1	
6	AHH6005	Clamp - Column	2	
7	AHH6006	Distance Piece	2	
8	BH605181	Bolt	2	
9	PWZ205	Washer - Plain	4	Non-collapsible column. Not USA; not Canada 1968 on
10	GHF332	Washer - Spring	4	
11	GHF201	Nut	2	
12	AHH6311	Bracket - Lower - Column	1	
13	AHH6312	Plate - Blanking	1	
14	GHF332	Washer - Spring	2	
15	GHF201	Nut	2	
16	AHC153	Seal - Column to Bulkhead	1	
17	130581	Cable - Steering Column Earth	1	
18	AHH8561	Nut - Steering Wheel Retaining	1	
19	SH606101	Screw - Mounting - Upper	3	
20	GHF333	Washer - Spring	3	
21	PWZ206	Washer - Plain	3	
22	PWZ206	Washer - Plain - Packing Mounting	A/R	
23	GHF120	Screw - Mounting - Lower	3	
24	GHF332	Washer - Spring	3	
25	GHF301	Washer - Plain	3	
26	AHA8720	Seal - Column to Bulkhead	1	
27	AHC634	Coupling - Flexible	1	
28	AHC635	Plate - Coupling	2	
29	AHC636	Bolt - Coupling	4	
30	GHF222	Nut - Nyloc	4	
31	GHF332	Washer - Spring	4	
32	GUJ200	Universal Joint Kit	1	
33	BH605131	Bolt - Pinch	1	
34	GHF332	Washer - Spring	1	
35	GHF201	Nut	1	
36	AHC4	Steering Rack - RH Drive - New	1	Exchange item
36	AHC4E	Steering Rack - RH Drive - Recon	1	One for one exchange item
36	AHC4QE	Steering Rack - RH Drive - Quick Ratio	1	Customer's own unit reconditioned
36	AHC5	Steering Rack - LH Drive - New	1	Exchange item
36	AHC5E	Steering Rack - LH Drive - Recon	1	One for one exchange item
36	AHC5QE	Steering Rack - LH Drive - Quick Ratio	1	Customer's own unit reconditioned
37	17H6560	Seal - Pinion	1	
38	18G8348	Rack and Pinion Kit - Standard Ratio	1	RH Drive
38	18G8348X	Rack and Pinion Kit - Quick Ratio	1	
38	18G8349	Rack and Pinion Kit - Standard Ratio	1	LH Drive
38	18G8349X	Rack and Pinion Kit - Quick Ratio	1	
39	17H6566	Shim - Yoke Cover - 0.0024"	A/R	
39	17H6567	Shim - Yoke Cover - 0.005"	A/R	
39	17H6568	Shim - Yoke Cover - 0.010"	A/R	
40	SH505071	Screw - Yoke Cover	2	
41	GHF332	Washer - Spring	2	
42	6K803	Bearing - Pinion	1	
43	17H6564	Gasket - Pinion End Cover	1	
44	SH505101	Screw - Pinion End Cover	2	
45	GHF332	Washer - Spring	2	
46	27H8077	Track Rod	2	
47	17H6571	Seat - Ball	2	
48	GSV1155	Gaiter Kit - Track Rod	2	Includes clips
49	GSJ168	Track Rod End	2	
50	17H3501	Boot - Track Rod End	2	
51	17H3502	Retainer - Boot	2	
52	7H3565	Spring - Boot	2	
53	GHF224	Nut - Nyloc	2	
54	53K320	Nut - Locking Track Rod End	2	
55	AHH6007	Shim - Packing	A/R	
56	GHF600	Rivet - Shim	A/R	
57	BH605221	Bolt - Rack Mounting	4	
58	GHF332	Washer - Spring	4	
59	GHF222	Nut - Nyloc	4	

The power steering kit is the ultimate and most worthwhile MG accessory yet, exclusively from MGOC Spares. Comprising a modern electro-hydraulic power steering pump/motor or conventional mechanical pump, together with a new hydraulically assisted steering rack. This greatly reduces the effort required to steer when manoeuvring at low speeds or when parking, and also provides virtually effortless control throughout long journeys, still retaining positive road feel. A properly engineered power steering conversion, produced by an accredited British specialist manufacturer.

60 H600 on Power Steering Conversion 1 Please contact MGOC Spares for details.

BRAKES:

FRONT DISCS/PADS

REAR DRUMS/SHOES

BRAKE TOOLS

HANDBRAKE CABLE

HYDRAULICS (INCL. CLUTCH)

SINGLE LINE SERVOS

DUAL LINE SERVO

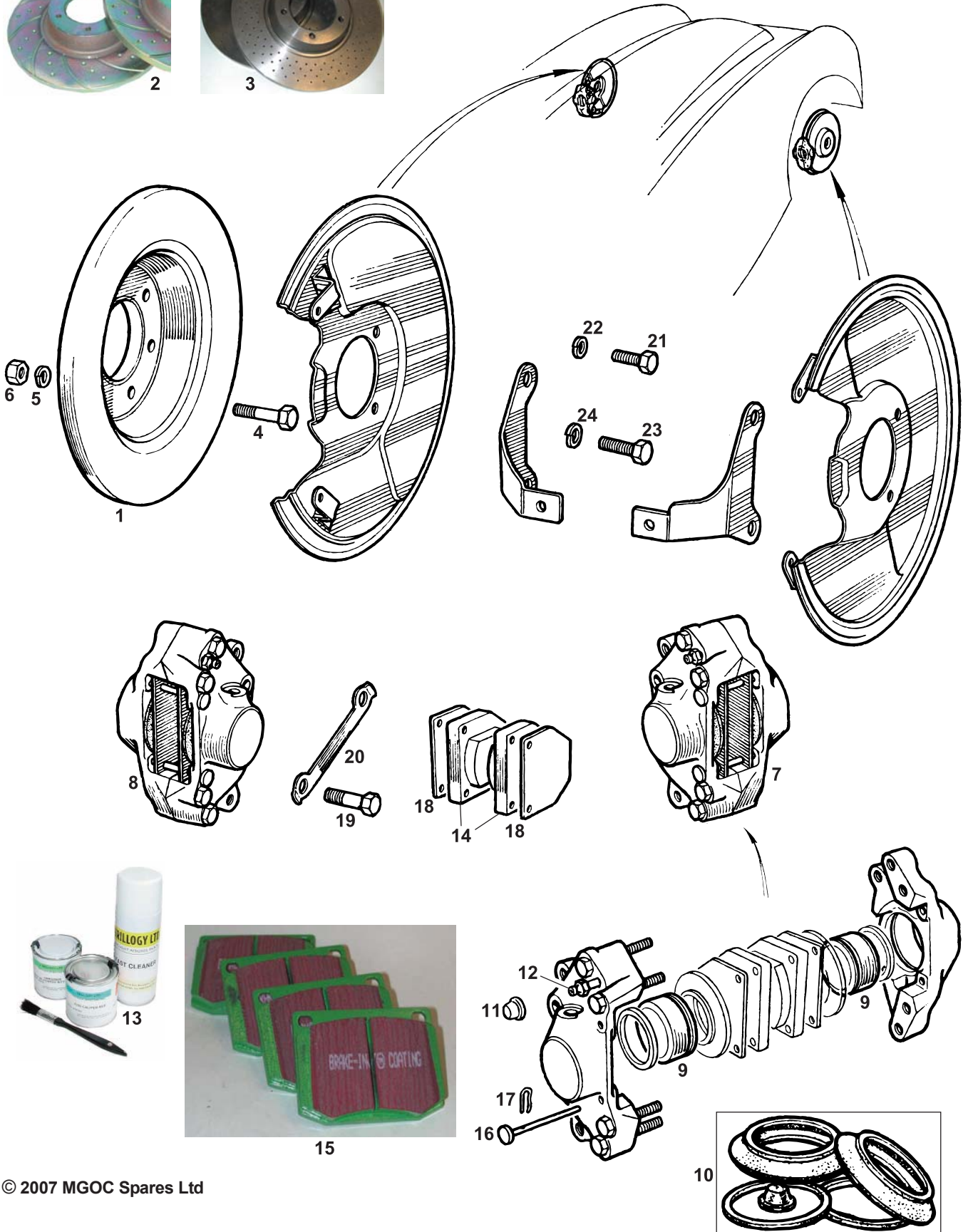
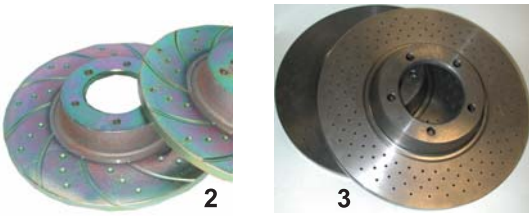
SINGLE LINE PIPES/HOSES (INCL. CLUTCH)

DUAL LINE PIPES/HOSES (INCL. CLUTCH)





**MGC
&
MGC GT**



© 2007 MGOC Spares Ltd

Telephone: 01954 230928 Fax: 01954 231923, Email: sales@mgocspares.co.uk



1 BTC371 Brake Disc - Standard2

Slotted and dimpled or drilled discs improve braking efficiency by trapping and removing the gas film given off by pad materials under heavy braking which would otherwise lessen brake friction. These discs are especially good when used with Kevlar pads.

2	H397	Brake Discs - EBC Slotted1	
3	H217A	Brake Discs - Drilled1	
4	53K1048	Bolt - Disc to Hub10	
5	GHF333	Washer - Spring10	
6	GHF202	Nut10	
7	27H2988E	Calliper - RH - Reconditioned Exchange	..1	} One for one exchange item
8	27H2989E	Calliper - LH - Reconditioned Exchange	..1	
9	27H2949	Piston - Calliper4	
10	18G8837	Repair Kit - Calliper2	
11	SMP100030	Cap - Bleed Screw2	
12	601959	Screw - Bleed2	
13	A350	Calliper Paint Kit - Red1	
13	A350A	Calliper Paint Kit - Black1	
13	A350S	Calliper Paint Kit - Silver1	

Calliper paint kits include heat resistant two pack paint and pre-cleaner. Sufficient for 4 callipers.

14	GBP114	Brake Pad Set - Axle Set - Standard1
15	H367	Brake Pad Set - EBC Kevlar1

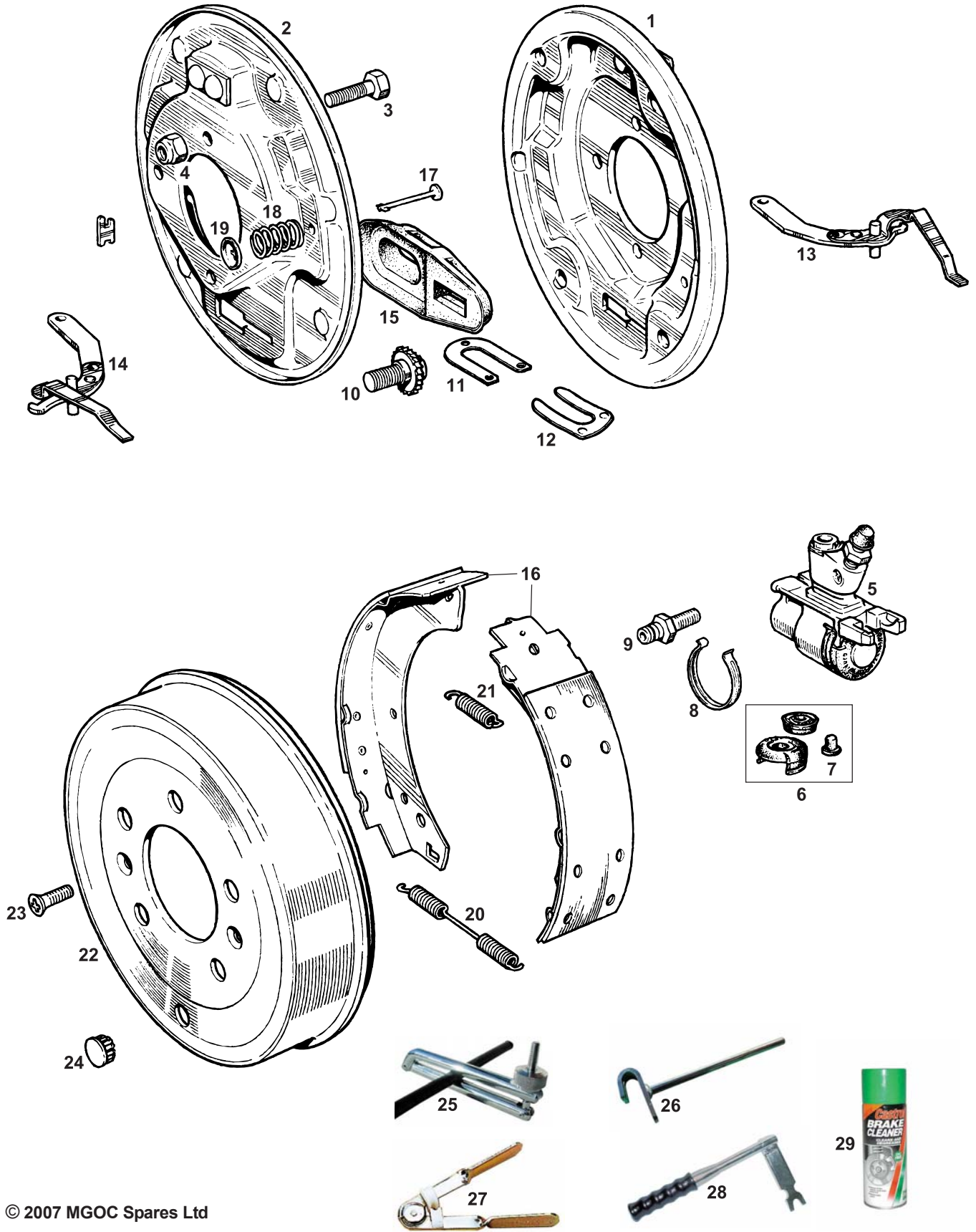
The fabled EBC 'Green Stuff' Kevlar pads, which increase friction and brake efficiency with minimal dust. Designed for conditions varying from every day road driving to occasional track day use, they are effective from cold without the need for a warm up period and provide reassuring, progressive braking.

16	17H4640	Pin - Pad Retaining4
17	17H4639	Clip - Pin Retaining4
18	27H2953	Shim - Pad - Anti Squeal4
19	BTA376	Bolt - Calliper Mounting4
20	BTB932	Lock Tab - Calliper Mounting Bolt2
21	SH604031	Screw - Dust Cover - Small4
22	GHF331	Washer - Spring4
23	SH605041	Screw - Dust Cover - Large4
24	GHF332	Washer - Spring4

**Telephone: 01954 230928 Fax: 01954 231923, Email: sales@mgocspares.co.uk
Buy Online at www.mgocspares.co.uk**



MGC
&
MGC GT



© 2007 MGOC Spares Ltd

Telephone: 01954 230928 Fax: 01954 231923, Email: sales@mgocspares.co.uk



**MGC
&
MGC GT**



1	27H8037	Back Plate - Brake - RH	1
2	27H8036	Back Plate - Brake - LH	1
3	BH606161	Bolt - Back Plate to Axle	8
4	GHF243	Nut - Philidas	8
5	GWC1117Z	Wheel Cylinder Assembly	2
6	18G8182	Repair Kit - Wheel Cylinder	2
7	SMP100030	Dust Cap - Bleed Screw	2
8	17H4395	Clip - Boot Retaining	2
9	556508A	Screw - Bleed	2
10	519798	Quadrant - Adjusting - RH	1
10	519797	Quadrant - Adjusting - LH	1
11	120138	Plate - Cylinder Retaining	2
12	37H6132	Plate - Spring Retainer	2
13	27H8043	Lever - Operating - RH	1
14	27H8044	Lever - Operating - LH	1
15	27H8047	Boot - Lever	2
16	GBS741	Brake Shoe Set - Axle Set	1
17	27H8041	Pin - Shoe Steady	4
18	17H4375	Spring	4
19	17H4374	Washer - Cup	4
20	27H8039	Spring - Return - Cylinder End	2
21	27H8040	Spring - Return - Abutment End	2
22	BTB862	Brake Drum	2
23	SF604101	Screw - Drum Retaining	4
24	AHH5514	Plug - Brake Drum	2
25	F199	Brake Hose Clamp	1

Allows safe clamping of flexible brake hoses for routine maintenance of brake components.

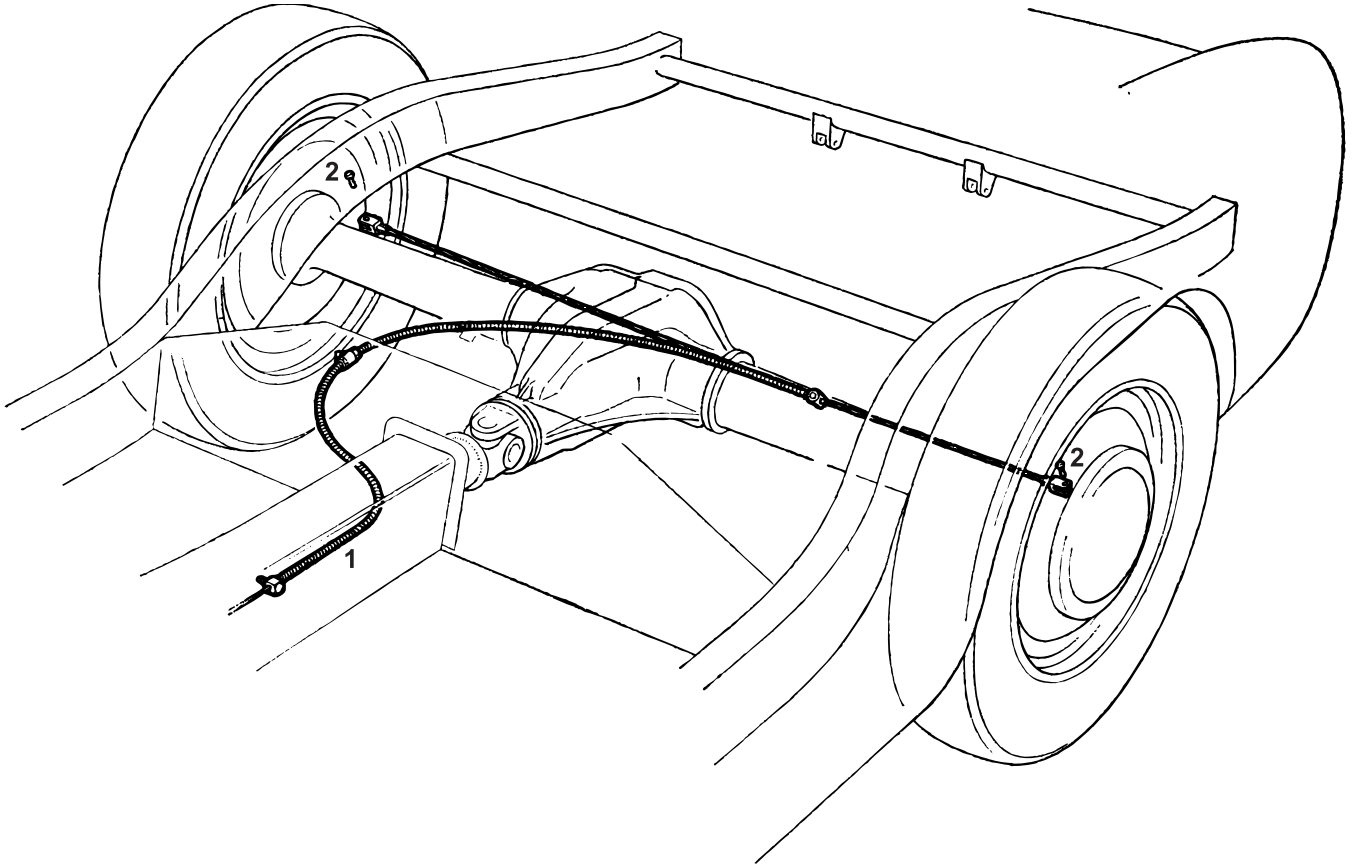
26 T4 Girling Shoe Horn 1
This brake shoe lever tool makes easy work of brake shoe replacement.

27 F197 Pipe Bending Tool - Small 1
27 F198 Pipe Bending Tool - Large 1
Pipe bending tools make for perfect shaping of copper brake pipes.

28 T2 Girling Retraction Tool 1
Designed to replace brake pads without damaging calliper pistons.

29 G649 Castrol Brake Cleaner - 400ml Aerosol ... 1

**Telephone: 01954 230928 Fax: 01954 231923, Email: sales@mgocspares.co.uk
Buy Online at www.mgocspares.co.uk**



© 2007 MGOC Spares Ltd



**MGC
&
MGC GT**



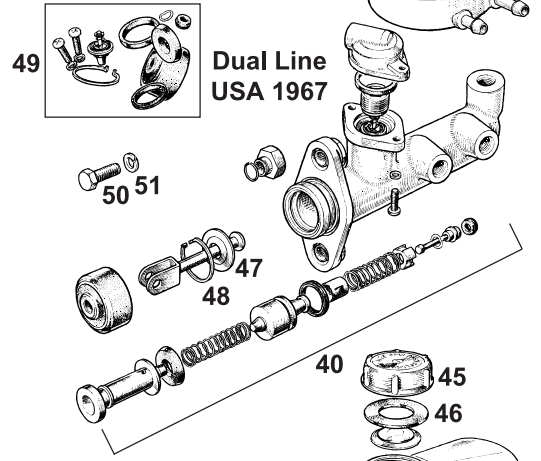
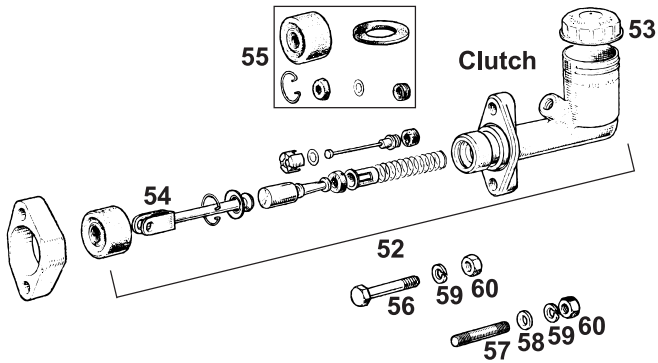
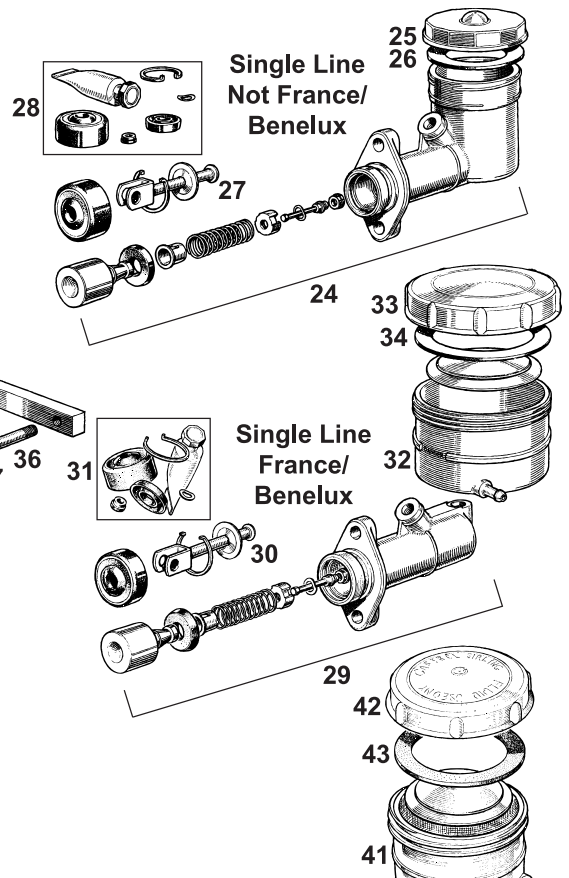
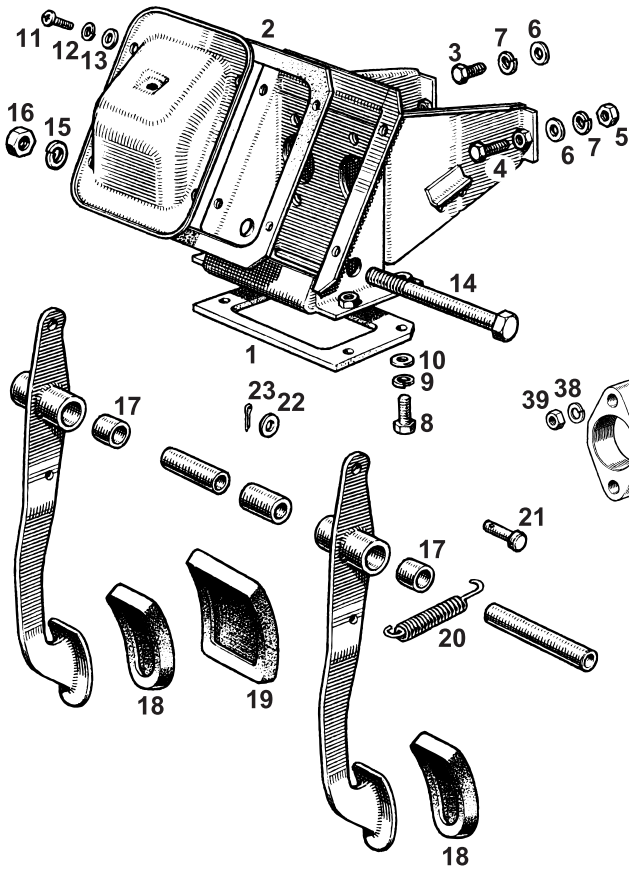
All components of the MGC handbrake are the same as those used on chrome bumper MGB models, with the exception of the handbrake cables and attachment clevis pins which are listed here. Please refer to the 'Handbrake - Cables, Linkages' section of the MGOC Spares MGB Parts Catalogue for all other MGC handbrake parts.

1	AHC178	Cable Assembly - Handbrake	1	Steel Wheels
1	AHC179	Cable Assembly - Handbrake	1	Wire Wheels
2	CLZ410	Clevis Pin - Cable to Rear Brake Levers . . .	2	

**Telephone: 01954 230928 Fax: 01954 231923, Email: sales@mgocspares.co.uk
Buy Online at www.mgocspares.co.uk**



**MGC
&
MGC GT**



61



62

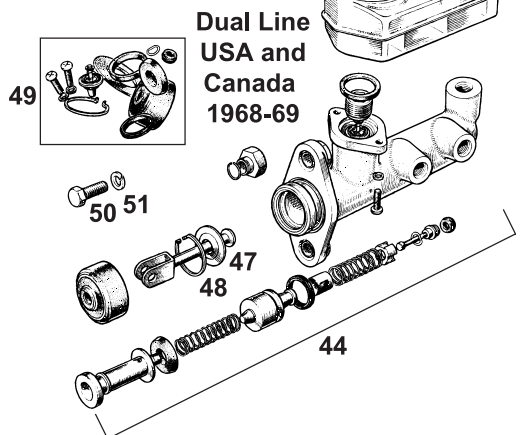


63



65

64



© 2007 MGOC Spares Ltd

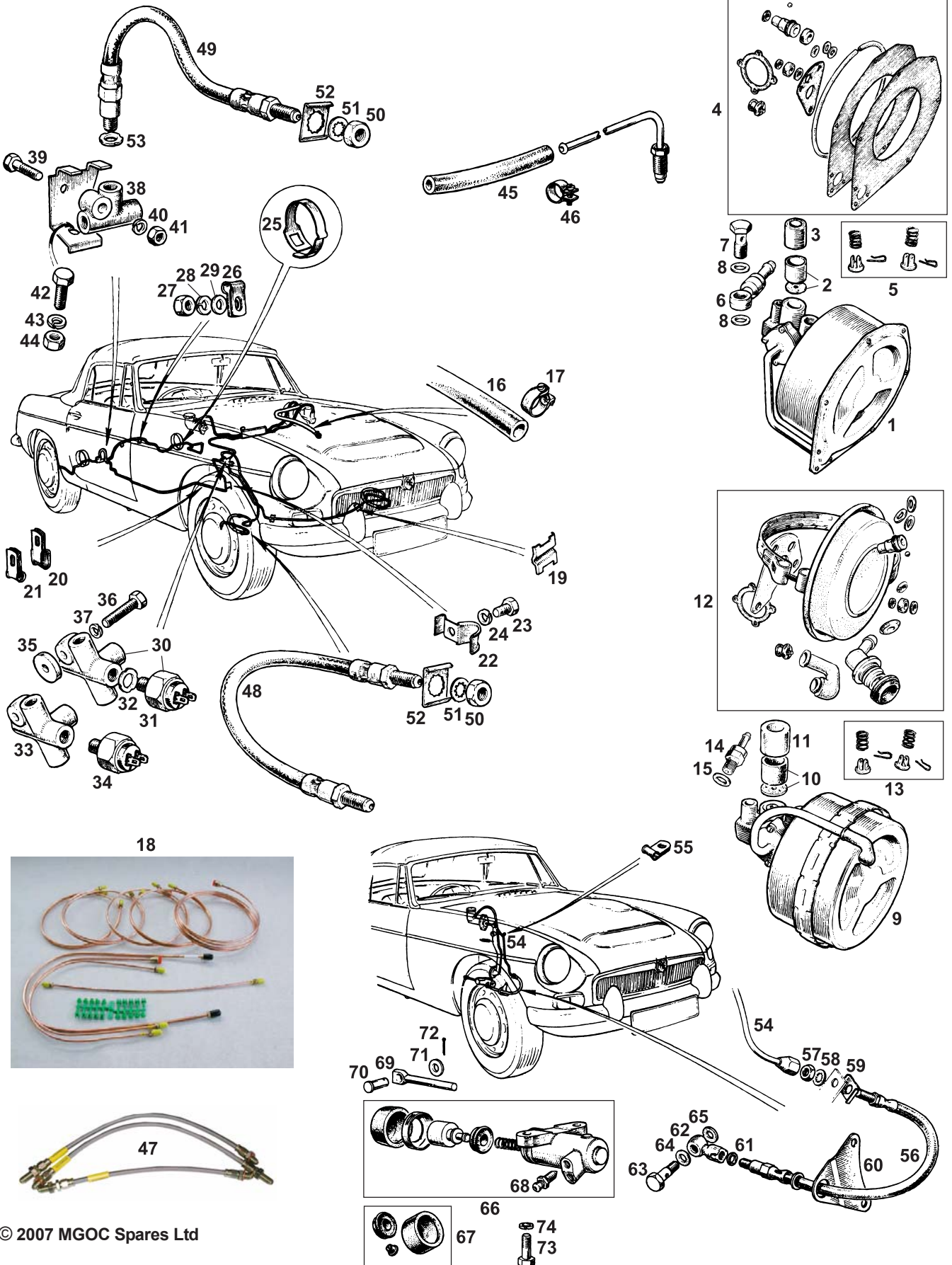
Telephone: 01954 230928 Fax: 01954 231923, Email: sales@mgocspares.co.uk



1	AHC383	Seal - Pedal Box to Bulkhead	1	
2	AHC122	Seal - Pedal Box Cover	1	
3	SH604051	Screw - Pedal Box to Dash - Short	1	
4	SH604071	Screw - Pedal Box to Dash - Long	1	
5	GHF200	Nut	1	
6	GHF300	Washer - Plain	2	
7	GHF331	Washer - Spring	2	
8	SH604051	Screw - Pedal Box to Bulkhead	4	
9	GHF331	Washer - Spring	4	
10	PWZ204	Washer - Plain	4	
11	SE910201	Screw - Cover to Pedal Box	4	
12	WL700101	Washer - Spring	4	
13	GHF306	Washer - Plain	4	
14	BH608421	Bolt - Pedal Fulcrum	1	
15	GHF335	Washer - Spring	1	
16	GHF204	Nut	1	
17	1G9310	Bush - Pedal	3/1	1 for brake pedal, 2 for clutch pedal. Qty decreases for automatic gearbox
18	AHH5100	Pad - Brake and Clutch Pedal - Rubber	2	Manual gearbox
19	ACC8592	Pad - Brake Pedal - Rubber	1	Automatic gearbox
20	AAA1628	Spring - Pedal Return	2/1	
21	CLZ514	Clevis Pin - Pedal to Master Cylinder	2/1	Qty decreases for automatic gearbox
22	GHF301	Washer - Plain	2/1	
23	GHF501	Split Pin	2/1	
24	BHA4521	Master Cylinder - Brake - New - Exchange	1	
24	BHA4521E	Master Cylinder - Brake - Recon - One for One Exchange	1	
25	510844	Cap - Filler	1	Single line brakes. Not USA; not Canada from 1968. Not France/Benelux
26	606404A	Seal - Cap	1	
27	27H8141	Push Rod	1	
28	18G8186	Repair Kit - Master Cylinder	1	
29	BHA4648	Master Cylinder - Brake - Exchange	1	
30	27H8141	Push Rod	1	
31	18G8186	Repair Kit - Master Cylinder	1	Single line brakes. France and Benelux
32	BHA4669	Tank - Fluid - Plastic	1	
33	37H1794	Cap - Filler	1	
34	37H1796	Seal - Cap	1	
35	SH605161	Screw - Master Cylinder Securing	1	
36	FHS2520	Stud - Master Cylinder Securing	1	
37	GHF301	Washer - Plain	1	Single line brakes
38	GHF332	Washer - Spring	2	
39	GHF201	Nut	2	
40	BHA4699	Master Cylinder - Brake - Exchange	1	
41	BHA4681	Tank - Fluid - Plastic	1	Dual line brakes. USA up to 1968
42	37H1794	Cap - Filler	1	
43	37H1796	Seal - Cap	1	
44	BHA4701	Master Cylinder - Brake - Exchange	1	Dual line brakes. USA and Canada from 1968
45	37H2949	Cap - Filler	1	
46	106095	Seal - Cap	1	
47	37H2944	Push Rod	1	
48	37H2945	Circlip - Push Rod Retaining	1	
49	18G8399	Repair Kit - Master Cylinder	1	Dual line brakes
50	GHF105	Screw - Master Cylinder Securing	2	
51	GHF333	Washer - Spring	2	
52	BHA4520	Master Cylinder - Clutch	1	
53	500201	Cap - Filler	1	
54	27H8140	Push Rod	1	
55	GRK1029	Repair Kit - Master Cylinder	1	Manual gearbox
56	SH605161	Screw - Master Cylinder Securing	1	
57	FHS2520	Stud - Master Cylinder Securing	1	
58	GHF301	Washer - Plain	1	
59	GHF332	Washer - Spring	2	
60	GHF201	Nut	2	
61	1774	Castrol - Response - Dot 4 - 1 Litre	A/R	
61	1774/6610	Castrol - Response - Dot 4 - 500ml	A/R	
Synthetic brake and clutch fluid for use where DOT3 or DOT4 is specified. For all MG models in normal road use.				
62	1775	Castrol - Response - Super Dot 4 - 1 Litre	A/R	High boiling point synthetic fluid for competition use where DOT5 is required.
63	1767	Castrol - SRF - 1 Litre	A/R	High performance motor sport application DOT4 synthetic brake fluid.
64	F195	Silicone Brake Fluid - 1 Litre	A/R	
65	F196	Silicone Brake Fluid - 500ml	A/R	DOT5 specification, non-corrosive and will not absorb water. Unlike glycol, does not require frequent changing.



**MGC
&
MGC GT**



© 2007 MGOC Spares Ltd

Telephone: 01954 230928 Fax: 01954 231923, Email: sales@mgocspares.co.uk

Important note: this section details the single circuit brake system fitted to all RH drive MGCs and some LH drive MGCs. The dual circuit brake system fitted to all LH drive cars originally exported to the USA and to all LH drive cars from 1968 onwards originally exported to Canada is detailed in the next section.

1	13H3360E	Servo Assembly - Girling - Reconditioned . 1	}	Up to chassis no 1153
2	27H2419K	Air Filter and Seal Kit - Servo 1		
3	27H5941	Cover - Air Filter 1		
4	18G8126	Repair Kit - Servo 1		
5	37H8775	Repair Kit - Air Valve 1		
6	148479	Valve - Non Return 1		
7	534156A	Bolt - Banjo 1		
8	267604	Washer - Sealing 2		
9	BHA4700	Servo Assembly - Girling - Original 1		
9	BHA4700X	Servo Assembly - Lockheed - Alternative . 1		
10	27H2419K	Air Filter and Seal Kit - Servo 1	}	From chassis number 1154 on
11	27H5941	Cover - Air Filter 1		
12	18G8724G	Repair Kit - Original Girling Servo 1		
12	18G8724AP	Repair Kit - Alternative Lockheed Servo . 1		
13	37H8775	Repair Kit - Air Valve 1		
14	ADU1402	Valve - Non Return 1		
15	267604	Washer - Sealing 1		
16	BAU5065M	Hose - Servo A/R		
17	AHC234	Clip - Hose - Original Type 2		
17	GHC507	Clip - Hose - Jubilee Type 2		
18	F179	Brake and Clutch Pipe Kit - Copper 1	RH drive	
18	F179L	Brake and Clutch Pipe Kit - Copper 1	LH drive	

Sets of malleable copper pipes, easy to shape for professional appearance and non-corroding. Brass unions are ready fitted and each pipe is labelled for easy installation.

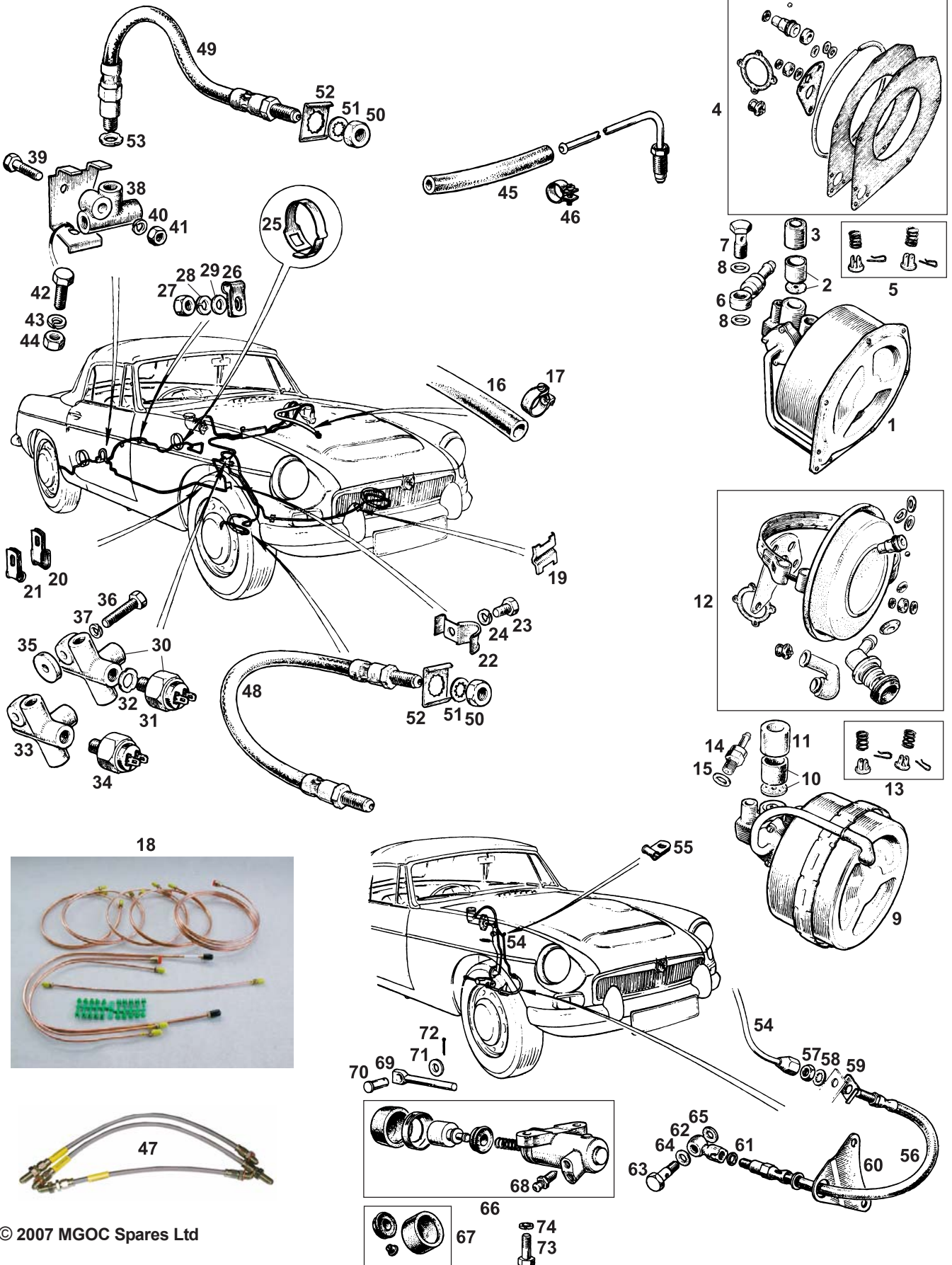
19	AHC171	Clip - LH Front Brake Pipe 2	}	Manual gearbox Automatic gearbox
20	AHA8683	Clip - Pipe to Front Side Member 2		
21	PCR307	Clip - Pipe to Front Side Member 2	}	1967 approx.
22	AHC310	Clip - Pipe to Clutch Hose Bracket 1		
23	SH604041	Screw - Clip to Clutch Hose Bracket 1		
24	GHF331	Washer - Spring 1		
25	ACH8650	Clip - Pipe to Rear Axle 2		
26	PCR311	Clip - Pipe to Differential 2		
27	GHF201	Nut - Clip to Differential 2		
28	GHF332	Washer - Spring 2		
29	GHF301	Washer - Plain 2		
30	279412K	Adaptor Kit - 4 Way - With Small Switch . 1		
31	21B291	Switch - Brake Light - Small 1		
32	233220	Washer - Sealing 1	}	France and Benelux
33	17H7108	Adaptor - 4 Way and Large Switch Boss . 1		
34	C16062	Switch - Brake Light - Large 1		
35	AHH6247	Spacer - Adaptor 1		
36	SH604111	Screw 1		
37	GHF331	Washer - Spring 1		
38	BTB657	Adaptor - 3 Way 1		
39	BH604091	Bolt - Adaptor to Bracket 1		
40	GHF331	Washer - Spring 1		
41	GHF200	Nut 1		
42	SH605071	Screw - Bracket Securing 1	}	
43	GHF332	Washer - Spring 1		
44	GHF201	Nut 1		
45	CHA793	Hose - Reservoir 1		
46	88G308	Clip - Reservoir Hose 2		
47	F115	Brake Hose Set - Stainless Braided 1		

Set of stainless braided brake hoses with PTFE inner linings, for positive pedal and responsive braking.

48	GBH166	Brake Hose - Front - Rubber 2	}	RH drive LH drive RH drive
49	GBH175	Brake Hose - Rear - Rubber 1		
50	NT606041	Nut 3		
51	GHF323	Washer - Shakeproof 3		
52	1G9198	Lock Plate 3		
53	233220	Washer - Copper - Rear Brake Hose . . . 1		
54	11H217	Pipe - Clutch 1		
54	21B121	Pipe - Clutch 1		
55	PCR311	Clip - Clutch Pipe 1		
56	GBH136	Hose - Clutch - Rubber 1		
57	NT606041	Nut 1	}	
58	GHF323	Washer - Shakeproof 1		
59	1G9198	Lock Plate 1		
60	AHC559	Bracket - Clutch Hose 1		
61	233220	Washer - Sealing 1		
62	13H1512	Connector - Banjo 1		
63	13H1984	Bolt - Banjo 1		
64	2H4810	Washer - Sealing 1		
65	233220	Washer - Sealing 1		
66	13H3891	Slave Cylinder - Clutch 1		



**MGC
&
MGC GT**



© 2007 MGOC Spares Ltd

Telephone: 01954 230928 Fax: 01954 231923, Email: sales@mgocspares.co.uk



**MGC
&
MGC GT**

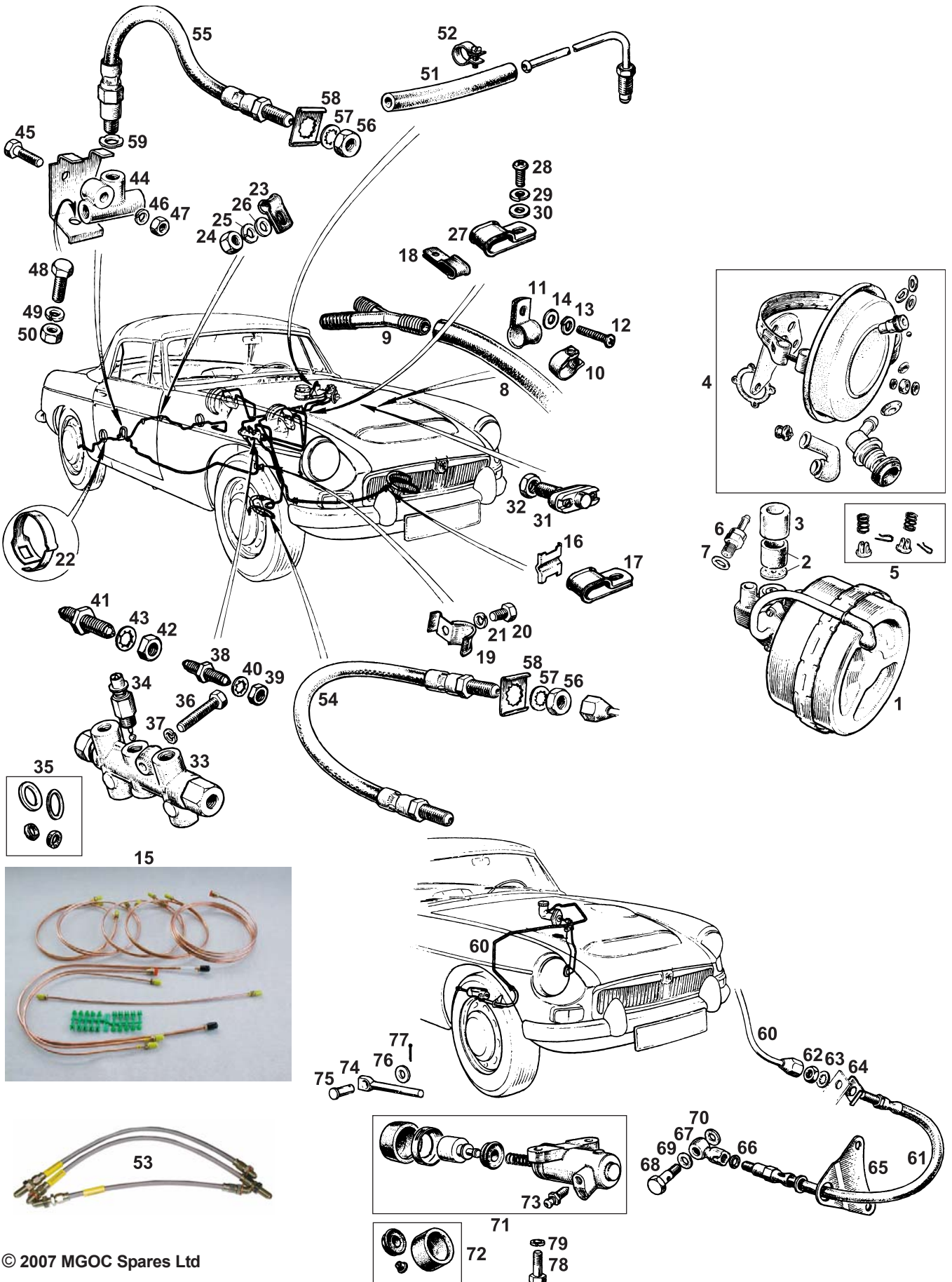


67	8G8885	Repair Kit - Slave Cylinder	1
68	556508A	Bleed Nipple	1
69	22B65	Push Rod	1
70	CLZ517	Clevis Pin	1
71	GHF301	Washer - Plain	1
72	GHF502	Split Pin	1
73	SH506091	Screw - Slave Cylinder Attaching	2
74	GHF333	Washer - Spring	2

**Telephone: 01954 230928 Fax: 01954 231923, Email: sales@mgocspares.co.uk
Buy Online at www.mgocspares.co.uk**



**MGC
&
MGC GT**



© 2007 MGOC Spares Ltd

Telephone: 01954 230928 Fax: 01954 231923, Email: sales@mgocspares.co.uk

Important note: this section details the dual circuit brake system fitted to all LH drive USA market MGCs and from 1968 onwards to LH drive Canadian market MGCs. The single circuit brake system fitted to all other MGCs, both RH drive and LH drive, is detailed in the previous section.

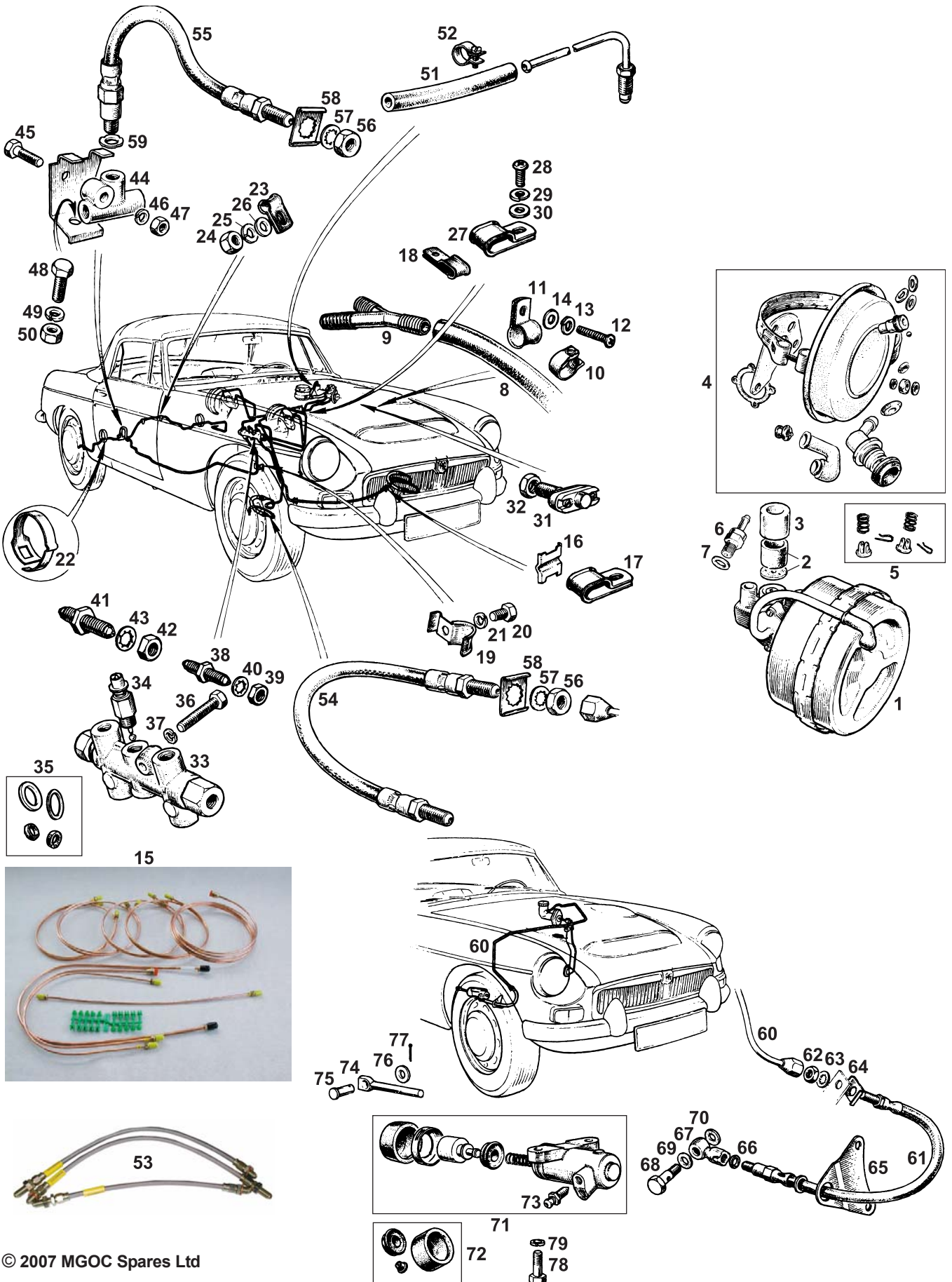
1	BHA4700	Servo Assembly - Girling - Original	2	
1	BHA4700X	Servo Assembly - Lockheed - Alternative	2	
2	27H2419K	Air Filter and Seal Kit - Servo	2	
3	27H5941	Cover - Air Filter	2	
4	18G8724G	Repair Kit - Original Girling Servo	2	
4	18G8724AP	Repair Kit - Alternative Lockheed Servo	2	
5	37H8775	Repair Kit - Air Valve	2	
6	ADU1402	Valve - Non Return	2	
7	267604	Washer - Sealing	2	
8	BAU5065M	Hose - Servo	A/R	Sold per metre
9	12G2134	Y Piece	1	
10	AHC234	Clip - Hose - Original Type	6	
10	GHC507	Clip - Hose - Jubilee Type	6	
11	PCR1007	Clip - Hose to Heater	1	
12	PMZ316	Screw	1	
13	WL700101	Washer - Spring	1	
14	GHF306	Washer - Plain	1	
15	GL4988	Brake and Clutch Pipe Kit - Copper	1	Includes pipes for early type remote reservoir
16	AHC171	Clip - LH Front Brake Pipe	2	
17	PCR307	Clip - Pipe to Front Side Member	2	Automatic gearbox
18	PCR309	Clip - Pipe to Dash	2	
19	AHC310	Clip - Pipe to Clutch Hose Bracket	1	
20	SH604041	Screw - Clip to Clutch Hose Bracket	1	
21	GHF331	Washer - Spring	1	
22	ACH8650	Clip - Pipe to Rear Axle	2	
23	PCR311	Clip - Pipe to Differential	2	
24	GHF201	Nut - Clip to Differential	2	
25	GHF332	Washer - Spring	2	
26	GHF301	Washer - Plain	2	
27	AHA8683	Clip - Pipes to Heater	1	
28	SE604041	Screw	1	
29	GHF331	Washer - Spring	1	
30	GHF300	Washer - Plain	1	
31	BHA4675	Switch - Mechanical - Brake Light	1	
32	NT606041	Nut - Locking	1	

Due to supply difficulties from the mid 1970s onwards, new PDWA (pressure differential warning activator) valves have alternated between cast iron and brass bodied designs ever since. Note that repair kits are not interchangeable between the two designs.

33	13H5905	PDWA Valve - With Switch - Brass	1	
33	RTC2525	PDWA Valve - With Switch - Cast Iron	1	
34	AAU1700A	Switch - PDWA Valve	1	
35	BAU1704A	Repair Kit - PDWA Valve	1	For brass PDWA valves
35	BAU1775	Repair Kit - PDWA Valve	1	For cast iron PDWA valve
36	SH604111	Screw	1	
37	GHF331	Washer - Spring	1	
38	BHA4750	Connector - Small	1	
39	NT606041	Nut - Locking	1	
40	GHF323	Washer - Shakeproof	1	
41	BHA4751	Connector - Large	1	
42	NT607041	Nut - Locking	1	
43	GHF324	Washer - Shakeproof	1	
44	BTB657	Adaptor - 3 Way	1	
45	BH604091	Bolt - Adaptor to Bracket	1	
46	GHF331	Washer - Spring	1	
47	GHF200	Nut	1	
48	SH605071	Screw - Bracket Securing	1	
49	GHF332	Washer - Spring	1	
50	GHF201	Nut	1	
51	CHA793	Hose - Reservoir	2] USA up to 1968] USA up to 1968
52	88G308	Clip - Reservoir Hose	4	
53	F115	Brake Hose Set - Stainless Braided	1	
54	GBH166	Brake Hose - Front - Rubber	2	
55	GBH175	Brake Hose - Rear - Rubber	1	
56	NT606041	Nut	3	
57	GHF323	Washer - Shakeproof	3	
58	1G9198	Lock Plate	3	
59	233220	Washer - Copper - Rear Brake Hose	1	
60	BMK441	Pipe - Clutch	1	
61	GBH136	Hose - Clutch - Rubber	1	
62	NT606041	Nut	1	
63	GHF323	Washer - Shakeproof	1	
64	1G9198	Lock Plate	1	
65	AHC559	Bracket - Clutch Hose	1	
66	233220	Washer - Sealing	1	
67	13H1512	Connector - Banjo	1	
68	13H1984	Bolt - Banjo	1	
69	2H4810	Washer - Sealing	1	



**MGC
&
MGC GT**



© 2007 MGOC Spares Ltd

Telephone: 01954 230928 Fax: 01954 231923, Email: sales@mgocspares.co.uk



**MGC
&
MGC GT**



70	233220	Washer - Sealing	1
71	13H3891	Slave Cylinder - Clutch	1
72	8G8885	Repair Kit - Slave Cylinder	1
73	556508A	Bleed Nipple	1
74	22B65	Push Rod	1
75	CLZ517	Clevis Pin	1
76	GHF301	Washer - Plain	1
77	GHF502	Split Pin	1
78	SH506091	Screw - Slave Cylinder Attaching	2
79	GHF333	Washer - Spring	2

**Telephone: 01954 230928 Fax: 01954 231923, Email: sales@mgocspares.co.uk
Buy Online at www.mgocspares.co.uk**

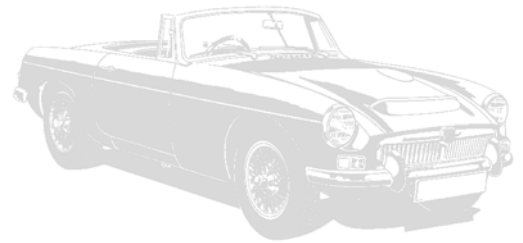
WHEELS:

WHEELS/TYRES

WHEEL NUTS/SPINNERS

JACK

TOOL KIT





MGC & MGC GT



1



2



3



4



5



6



7



8



9



10



11



12

© 2007 MGOC Spares Ltd

Telephone: 01954 230928 Fax: 01954 231923, Email: sales@mgocspares.co.uk

1 W003 Alloy Wheel - Clubsport - Silver A/R 5.5 x 15". MGC wheel not pictured - photo for reference purposes only.
 Clubsport alloy wheels simply bolt on to MGC steel wheel type hubs. Please see the next section on Wheel Nuts/Spinners for details of the wheel nuts required.

2 W065 Alloy Wheel - Centre Lock - Silver A/R] 5.5 x 15"
 3 W066 Alloy Wheel - Centre Lock - Anthracite A/R]

This true centre locking alloy wheel design, available in a choice of Silver paint or Anthracite paint with machined rim finishes, is both eye-catching and stylish. It also makes a great 'winter wheel', saving wire wheels for less wet and dirty road conditions in summer months.

4 W098 Wire Wheel - Painted - Original Spec A/R] 5 x 15". Original size
 4 W099 Wire Wheel - Chrome - Original Spec A/R]
 5 W100 Wire Wheel - Painted A/R] 5.5 x 15". Optional size
 6 W105 Wire Wheel - Chrome A/R]

Note that, depending on the tyres fitted, 5.5 x 15" wheels may require the lips of the car's rear wheel arches to be dressed to create sufficient clearance.

7 W700 on Tyre - Yokohama A/R

The exciting range of world famous Yokohama tyres at excellent discounted prices, in sizes and speed ratings for all applications. Tyres may be supplied individually or ready fitted to wheel rims of your choice; in the latter instance they will be delivered to your home, balanced and ready to fit to your MG. Please contact our tyre department for sales and expert advice on correct sizing, compounds, speed ratings and suitability.

8 W530 Tyre Trim Set - Whitewall 1
 W515 Tyre Trim Set - 0.5" Wide Whiteband 1
 9 W532 Tyre Lettering Pen 1 For tyre customising
 10 A092 Tyre Inflator - 567g Aerosol 1 Inflator and Puncture Repair
 11 A445 Wheel Cleaner A/R

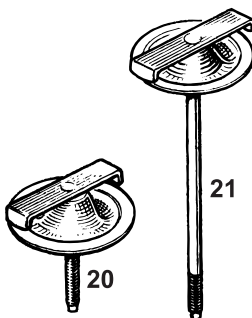
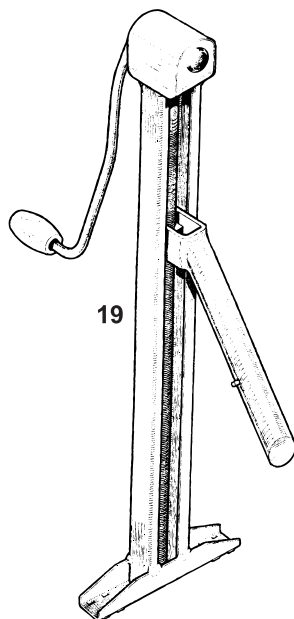
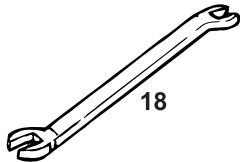
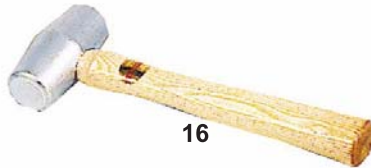
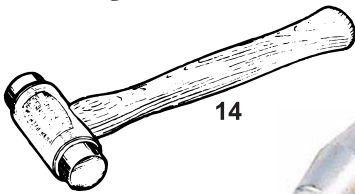
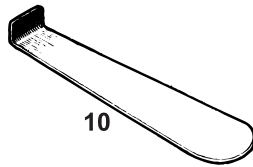
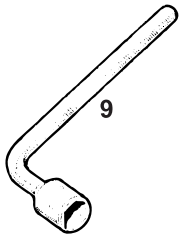
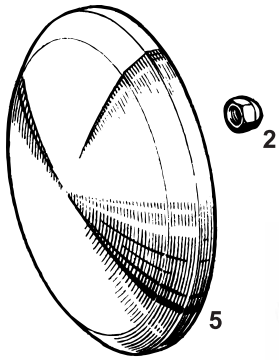
Effectively cleans alloy, laquered and steel wheels - safe for chrome wheels.

12 A430 Tyre Dressing A/R Cleans and restores tyre walls to satin shine
 Cleans and restores tyre walls to satin shine.

Maintaining Chromework:

The chromium plating on all club products is top quality and complies with BS1224, the industry standard for automotive products. To protect and preserve the chromium finish it is important that you apply Wonder Wax/Wonder Chrome - BEFORE FITTING - and reapply at regular intervals. Wiping surfaces with a soft cloth soaked in Castrol DWF will also give excellent protection against corrosion in winter.

**Telephone: 01954 230928 Fax: 01954 231923, Email: sales@mgocspares.co.uk
 Buy Online at www.mgocspares.co.uk**





MGC & MGC GT



- | | | | | |
|---|--------|------------------------|---------|--------------|
| 1 | W533 | Valve Cap Set - Chrome |1 | |
| 2 | BTB354 | Wheel Nut |20 | Steel wheels |

Choose between W605A, W660A or W665A wheel nuts to complement Clubsport alloy wheels:

- | | | | | |
|---|-------|-----------------------------------|---------|--------------------------|
| 3 | W605A | Wheel Nut - Chrome - With Logo |20 |] Clubsport Alloy wheels |
| 3 | W665A | Wheel Nut - Stainless - With Logo |20 | |
| 4 | W660A | Wheel Nut - Stainless - Plain |20 | |

- | | | | | |
|---|--------|---------|--------|--------------|
| 5 | AHC101 | Hub Cap |4 | Steel wheels |
|---|--------|---------|--------|--------------|

- | | | | | |
|---|-------|------------------------------------|-----------|---------------|
| 6 | W180R | Spinner - 2 Ear - Plain - RH | A/R |] Wire wheels |
| 6 | W180L | Spinner - 2 Ear - Plain - LH | A/R | |
| 6 | W181R | Spinner - 2 Ear - MG Logo - RH | A/R | |
| 6 | W181L | Spinner - 2 Ear - MG Logo - LH | A/R | |
| 7 | W170R | Spinner - Octagonal - Plain - RH | A/R | |
| 7 | W170L | Spinner - Octagonal - Plain - LH | A/R | |
| 7 | W171R | Spinner - Octagonal - MG Logo - RH | A/R | |
| 7 | W171L | Spinner - Octagonal - MG Logo - LH | A/R | |
| 8 | W184R | Spinner - 3 Ear - Plain - RH | A/R | |
| 8 | W184L | Spinner - 3 Ear - Plain - LH | A/R | |

- | | | | | |
|----|---------|-------------------------------|--------|---------------------------|
| 9 | 516677 | Wheel Brace |1 | Steel wheel nuts |
| 9 | AHH9153 | Wheel Brace |1 | Clusport Alloy wheel nuts |
| 10 | 11H1051 | Hub Cap Lever |1 | Steel wheels |
| 11 | W174 | Spanner - Octagonal Spinners |1 | Wire wheels |
| 12 | W176 | Wheel Spinner Remover - Steel |1 | 2 ear spinners only |

Made in steel with long handle to easily remove or fit wheel spinners.

- | | | | | |
|----|------|-------------------------|--------|---------------------|
| 13 | W178 | Spinner Saver - Plywood |1 | 2 ear spinners only |
|----|------|-------------------------|--------|---------------------|

Protect the chrome on your spinners with this sturdy plywood saver.

- | | | | | |
|----|---------|---------------------------------|--------|---------------|
| 14 | 11B5166 | Hammer - Copper - Original Type |1 |] Wire wheels |
| 15 | W190 | Hammer - Copper/Hide |1 | |
| 16 | W175 | Hammer - Lead |1 | |

Aside from their traditional use for fitting wire wheels, these soft-faced hammers are a must for any workshop.

- | | | | | |
|----|-----------|----------------------|--------|---------------|
| 17 | W195 | Wheel Cleaning Brush |1 |] Wire wheels |
| 18 | MM385-800 | Spoke Spanner |1 | |

- | | | | | |
|----|---------|----------------------------------|--------|------------------|
| 19 | AHH6538 | Jack - Side Lift - Original Type |1 |] Later MGB type |
| 19 | BHA5329 | Jack - Side Lift - Alternative |1 | |
| 20 | AHC326 | Clamp - Spare Wheel |1 | |
| 21 | AHH7043 | Clamp - Spare Wheel |1 | Steel wheels |
| | | | | Wire wheels |

Maintaining Chromework:

The chromium plating on all club products is top quality and complies with BS1224, the industry standard for automotive products. To protect and preserve the chromium finish it is important that you apply Wonder Wax/Wonder Chrome - BEFORE FITTING - and reapply at regular intervals. Wiping surfaces with a soft cloth soaked in Castrol DWF will also give excellent protection against corrosion in winter.

**Telephone: 01954 230928 Fax: 01954 231923, Email: sales@mgocspares.co.uk
Buy Online at www.mgocspares.co.uk**

ELECTRICS:

WINDSCREEN WASHERS

WIRING LOOMS

BATTERY

CABLES

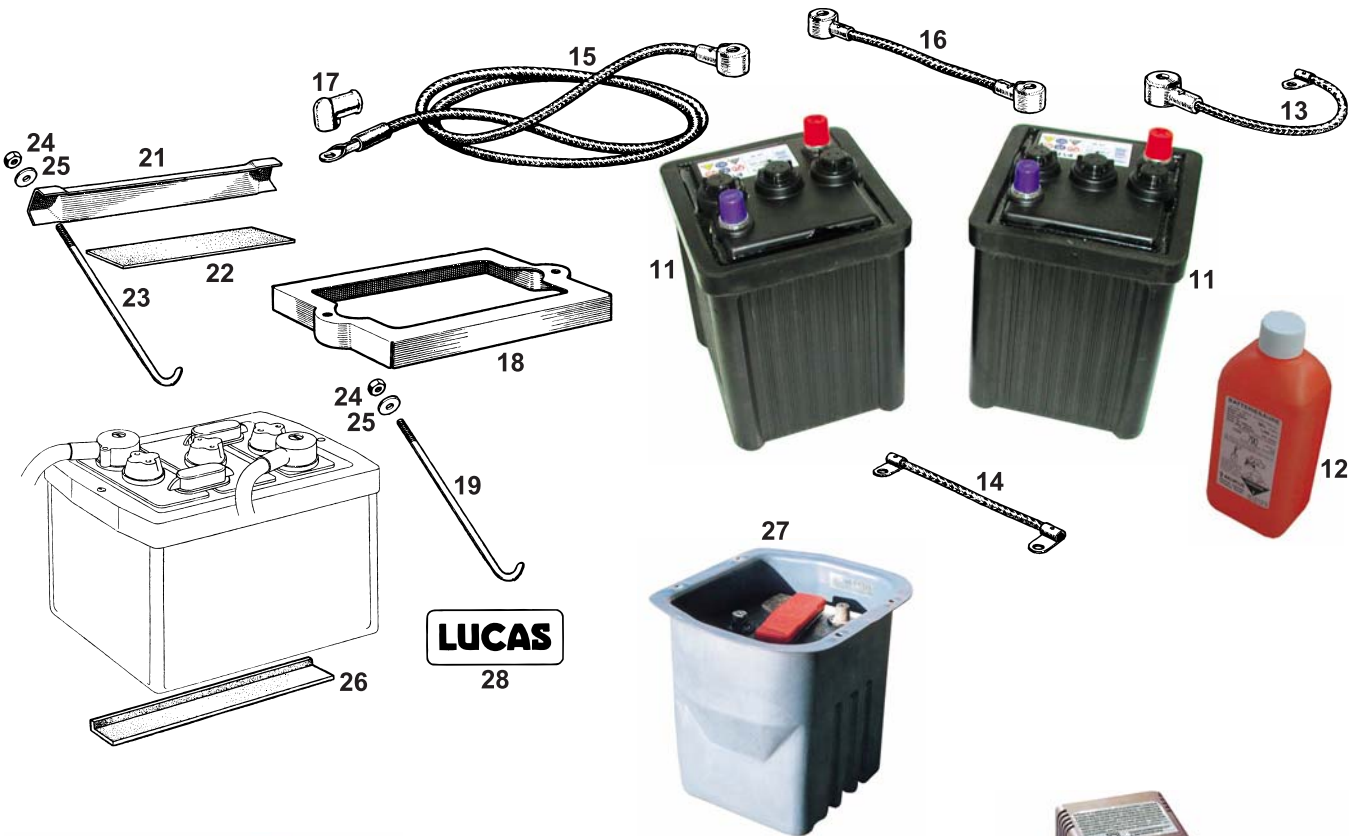
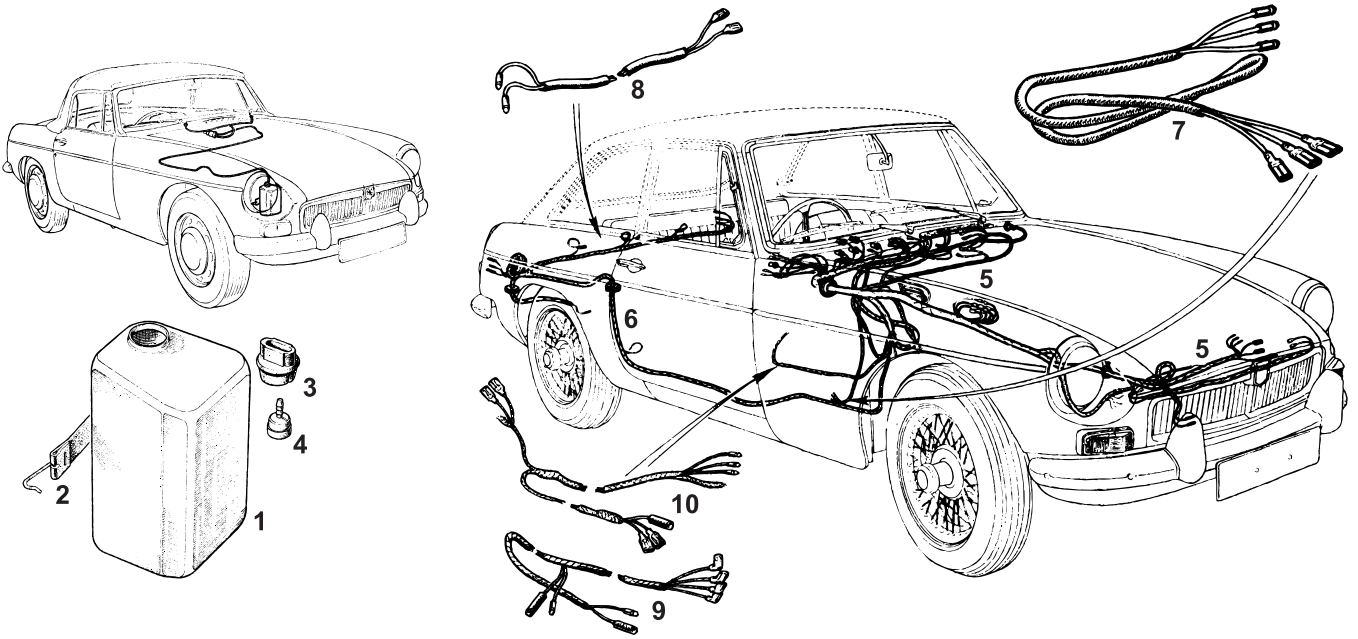
CLAMPS

CONDITIONER





**MGC
&
MGC GT**



© 2007 MGOC Spares Ltd

Telephone: 01954 230928 Fax: 01954 231923, Email: sales@mgocspares.co.uk

Front, Rear and Interior Lamps:

For details of the front, rear and interior lamps, please refer to the relevant section in the MGOC Spares MGB catalogue, where parts fitted to MGBs between chassis numbers 138401 and 187210 (1967 to 1969) are also applicable to MGC.

Windscreen Wipers and Washers:

For details of the windscreen wipers, motor and drive mechanism, please refer to the relevant section in the MGOC Spares MGB catalogue, where parts fitted to MGBs between chassis numbers 138401 and 187210 (1967 to 1969) are also applicable to MGC. The same applies to the windscreen washer system, with the exception of the washer reservoir which is unique to MGC:

1	AHC363	Reservoir - Washer Fluid1
2	CHA458	Strap - Reservoir Retaining1
3	GWV951	Cap - Reservoir1
4	GWV506	Valve - Foot - Non Return1

General Electrics (Horns, Switches and Wiring Looms):

For details of horns and switches, please refer to the relevant section in the MGOC Spares MGB catalogue, where parts fitted to MGBs between chassis numbers 138401 and 187210 (1967 to 1969) are also applicable to MGC. While wiring loom fittings and clips are also shared with MGBs, the wiring looms and extension looms themselves are unique to MGC:

5	BL633C	Main Loom - Cloth - For AC Alternator1	} Not USA; not Canada 1968 on
5	BL633	Main Loom - Vinyl - For AC Alternator1	
5	BL634C	Main Loom - Cloth - For ACR Alternator1	
5	BL634	Main Loom - Vinyl - For ACR Alternator1	
5	AHC738	Main Loom - Cloth - For AC Alternator1	} USA; Canada 1968 on
5	AHC875	Main Loom - Cloth - For ACR Alternator1	
6	BL655	Body Loom - Cloth Bound1	} Roadster
6	BL635	Body Loom - Vinyl Bound1	
6	BL656	Body Loom - Cloth Bound1	} GT
6	BL636	Body Loom - Vinyl Bound1	
7	AHC141	Extension Loom - Dip Switch1	} Manual gearbox Automatic Gearbox
8	AHC257	Extension Loom - Reverse Light Switch1	
9	AHC259	Extension Loom - Reverse/Inhibitor Switch1	
10	AHC258	Extension Loom - Overdrive1	

Battery:

11 D001 Battery - 6 Volt - Heavy Duty2 Dry charged
Six volt batteries are supplied dry charged. Order with or without bottle of acid on mail order to your door - simply fill with acid and start the engine!

12 D010 Battery Acid - 1Kg Bottle6
The Club's unique mail order acid pack, containing acid to the correct specific gravity, allows overnight delivery of a ready-to-use battery.

13	5L924	Cable - Battery to Earth (Negative)1	Battery earth cable
14	AHC448	Cable - Engine to Earth (Negative)1	Engine earth cable
15	AHC749	Cable - Battery to Starter (Positive)1	
16	BHA4348	Cable - Battery to Battery1	
17	8G548	Cap - InsulatingA/R	
18	AHH7109	Clamp - Battery2	} Original 'heavy duty' type
19	BHH198	Bolt - Clamp4	
20	BCK6AS	Battery Clamp Kit - Stainless Steel1	} Alternative MGB type. Improves appearance and beats corrosion
21	AHH6353	Clamp - Battery - Black2	
22	AHH5169	Packing - Clamp2	} Alternative MGB type
23	AHH6750	Bolt - Clamp4	
24	NT604041	Nut8	
25	GHF300	Washer - Plain4	
26	AHH6351	Pad - Battery4	
27	D101	Battery Bin - 6 Volt Type2	

Battery bins are durable plastic containers to protect batteries otherwise exposed to the elements under the car.

28 LMG1099 Decal - Battery - 'Lucas'2

A valuable safety device in the event of accident or electrical fire, a battery master switch can be easily located behind the driver's seat. It has a removable key for extra security:

29	E009	Master Switch - Battery1	Standard type
29	E001	Master Switch - Battery1	FIA type
	E001A	Key - Switch1	Fits standard or FIA types
30	E008	Switch - Battery Isolator - Disconnect1	

Mounts to battery posts and cuts off power at turn of a knob. With by-pass fuse to power clock etc.

31 D021 Accumate Battery Conditioner1

The Accumate battery charger and maintainer is completely automatic, safe and simple to use. The advanced 3-stage charging programme features both constant current and constant voltage charging to completely and correctly charge a variety of battery types. It also properly maintains a battery at its correct voltage during storage and long periods of non-use without overcharging and gassing. The Accumate is reverse polarity protected and spark proof and features 5 LED indicator lights, 3 of which indicate the battery's current charge status.

This unit is outstanding for charging and maintaining batteries up to 55Ah and comes with useful ring and clip style cables that have a quick disconnect if you are only maintaining one battery. Accumate is fitted with a UK mains plug and runs with a supply of 220-240 volts only. It has a 2 year guarantee.

INSTRUMENTS:

SPEEDOMETERS

SPEEDOMETER CABLES

TACHOMETERS

OIL/WATER GAUGES

FUEL GAUGES

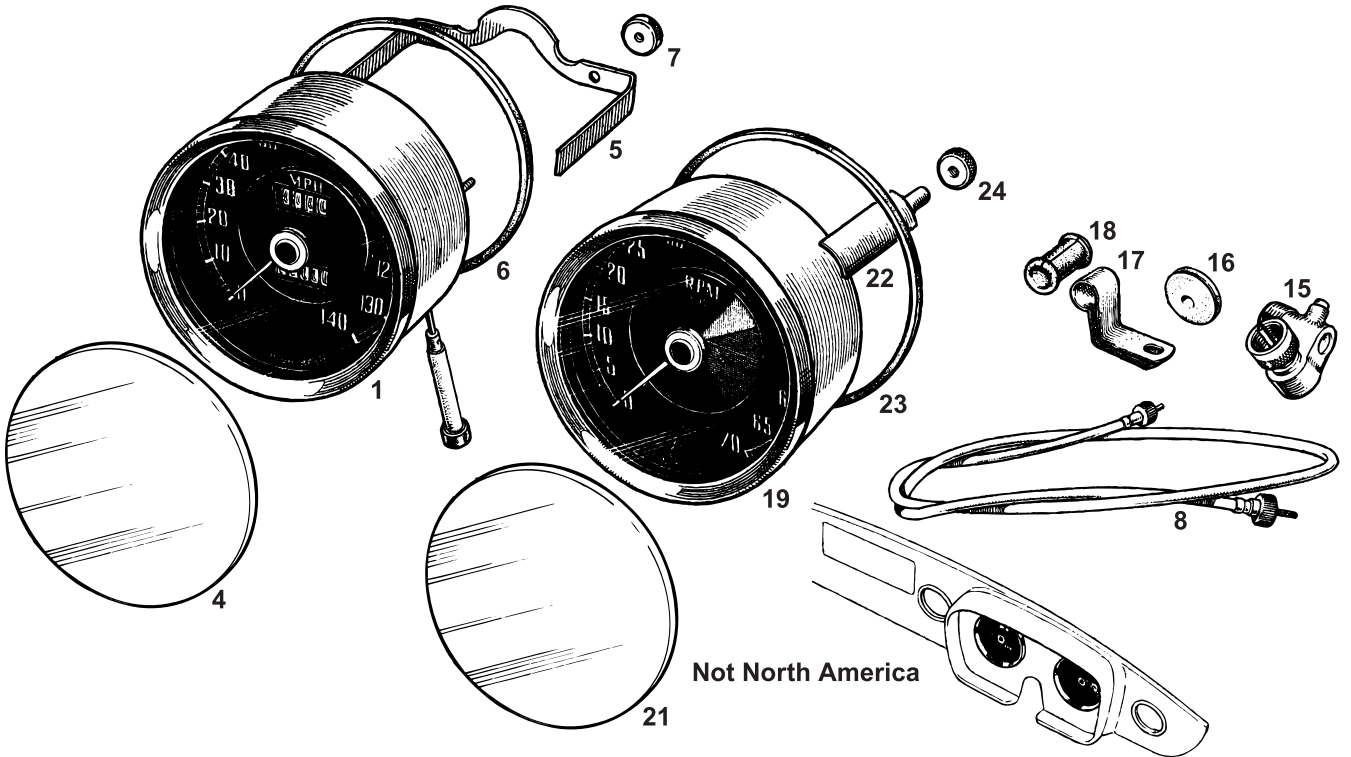




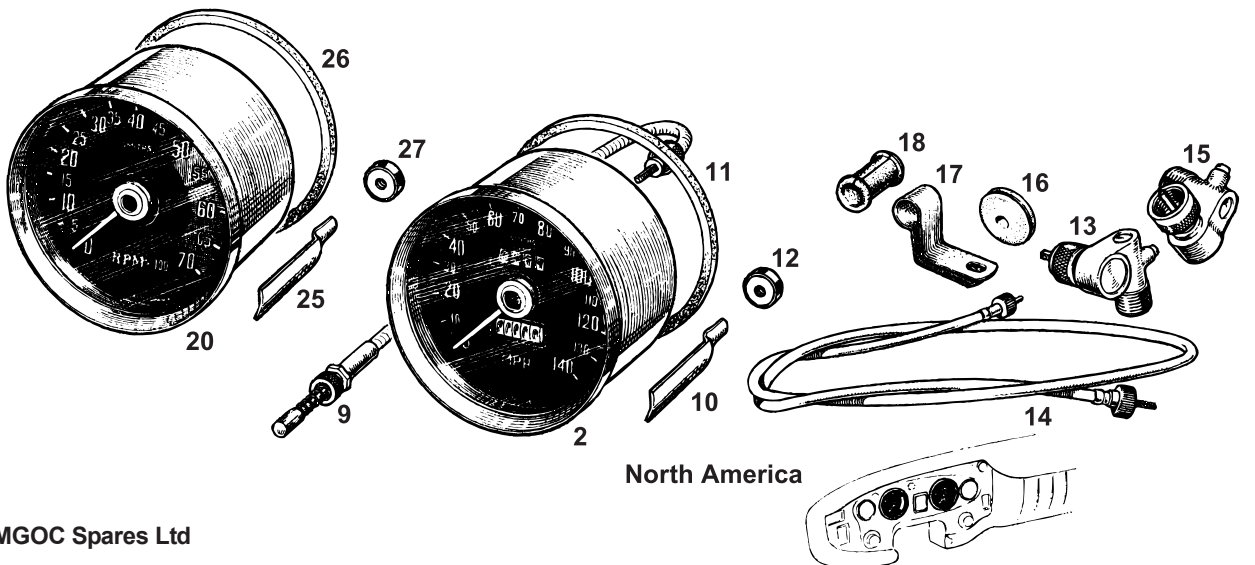
MGC
&
MGC GT



3



Not North America



North America

© 2007 MGOC Spares Ltd

Telephone: 01954 230928 Fax: 01954 231923, Email: sales@mgocspares.co.uk

Speedometers and tachometers fitted to MGCs are of broadly two types. The UK and most export countries received cars with traditional MGB type steel fascias, equipped with 4" diameter instruments. All USA market MGCs and Canadian models from 1968 onwards got the so-called 'Abingdon Pillow' safety fascia with slightly smaller instruments. The latter are referred to as North America instruments in this section.

Due to scarcity of old units, MGC speedometers and tachometers are available either on a 'one for one' reconditioned exchange basis or the reconditioning is carried out on the customer's own unit. The speedometer fitted depends upon the rear axle ratio, of which there were three varieties used at different times to different models:

- Non-overdrive models 3.071:1 ratio rear axle fitted up to chassis number 4235 (Roadster) and 4265 (GT)
3.307:1 ratio rear axle fitted from chassis number 4236 (Roadster) and 4266 (GT)
- Overdrive models 3.307:1 ratio rear axle fitted up to chassis number 4235 (Roadster) and 4265 (GT)
3.7:1 ratio rear axle fitted from chassis number 4236 (Roadster) and 4266 (GT)
- Automatic models 3.307:1 ratio rear axle fitted to all cars

Speedometers are listed here by their 'SN' numbers and should be ordered accordingly (the 'SN' number may be found on the face of the instrument). This is much, much easier than trying to work out which one you require by the change point and application notes, which are unfortunately very complex for MGC.

For 3.071:1 and 3.307:1 ratio rear axles:

- | | | | | |
|---|------------|---|---|--|
| 1 | SN6144/10E | Speedometer - MPH - One For One Exch. | 1 |] Not North America or Germany |
| 1 | SN6144/11E | Speedometer - KPH - Customer's Own Unit | 1 | |
| 1 | SN6144/12E | Speedometer - KPH - Customer's Own Unit | 1 | Germany |
| 1 | SN6144/33E | Speedometer - MPH - Customer's Own Unit | 1 | Police |
| 2 | SN5226/00E | Speedometer - MPH - Customer's Own Unit | 1 | North America up to chassis number 4235 (Roadster) and 4265 (GT) |
| 2 | SN5227/02E | Speedometer - MPH - Customer's Own Unit | 1 | North America from chassis number 4236 (Roadster) and 4266 (GT) |
| 2 | SN5226/02E | Speedometer - MPH - Customer's Own Unit | 1 | North American personnel in Germany up to chassis number 4235 (Roadster) and 4265 (GT) |

For 3.7:1 ratio rear axle:

- | | | | | |
|---|------------|---|---|---------------------|
| 1 | SN6144/31E | Speedometer - MPH - Customer's Own Unit | 1 |] Not North America |
| 1 | SN6144/32E | Speedometer - KPH - One For One Exch. | 1 | |
| 2 | SN5227/19E | Speedometer - MPH - Customer's Own Unit | 1 | North America |

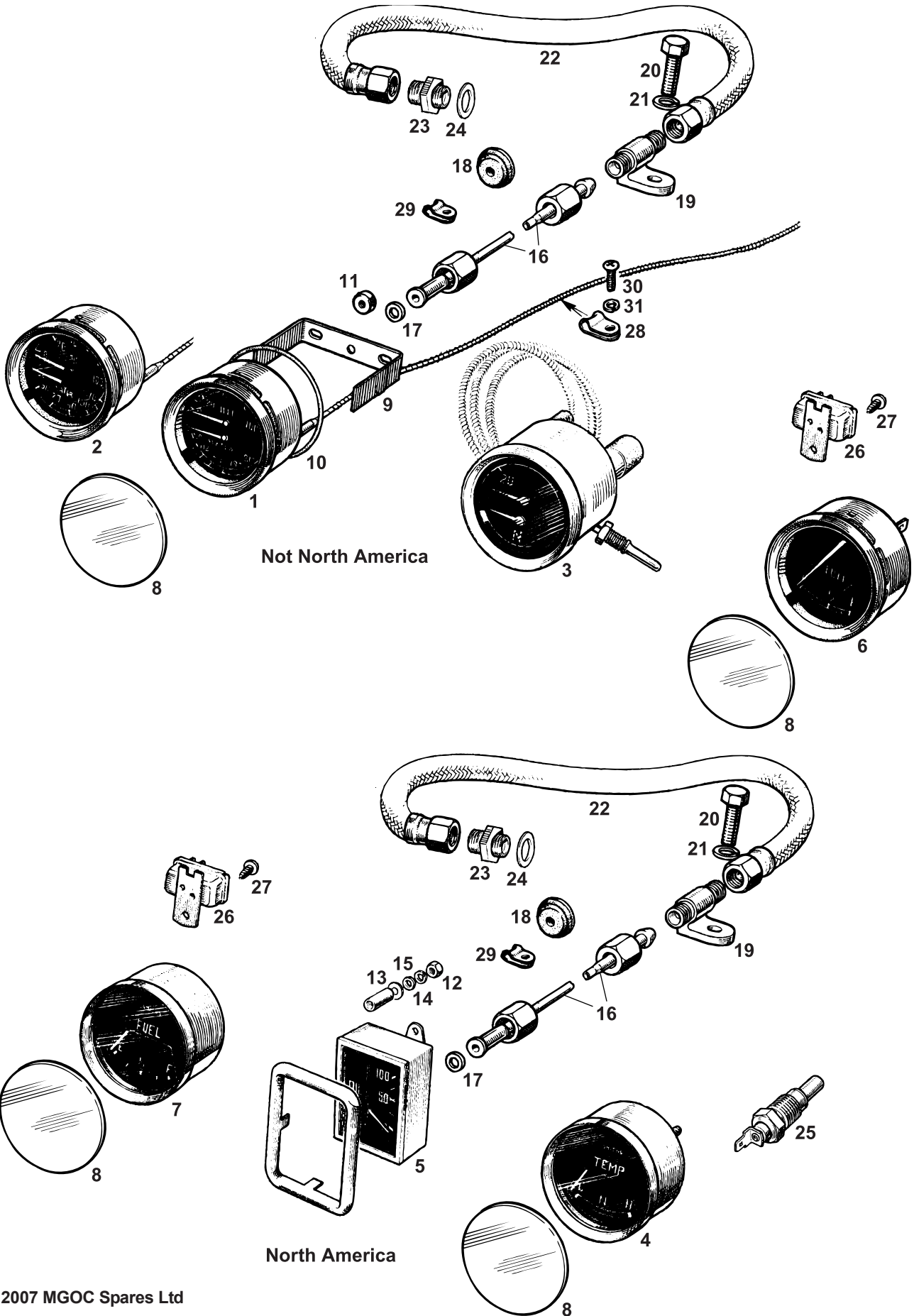
Original instruments can also, on request, be refurbished with Magnolia or Silver faces to contrast with or enhance the dashboard. Please contact us for details.

- | | | | | |
|----|-------------|--|-----|-----------------------------------|
| 3 | - | Magnolia or Silver Faced Instruments | A/R | |
| 4 | AJH5177 | Glass - Speedometer | 1 |] Not North America |
| 5 | AJH5176 | Clamp - Speedometer | 1 | |
| 6 | AJH5178 | O Ring - Speedometer | 1 | |
| 7 | 17H1304 | Nut - Knurled | 2 | |
| 8 | GSD249 | Cable - Speedometer - Standard - RHD | 1 | |
| 8 | GSD115 | Cable - Speedometer - Overdrive - RHD | 1 | |
| 8 | GSD103 | Cable - Speedometer - Automatic - RHD | 1 | |
| 8 | GSD113 | Cable - Speedometer - Standard - LHD | 1 | |
| 8 | GSD114 | Cable - Speedometer - Overdrive - LHD | 1 | |
| 8 | GSD115 | Cable - Speedometer - Automatic - LHD | 1 | |
| 9 | BHA4772 | Control - Remote | 1 |] North America |
| 10 | 17H3744 | Clamp - Speedometer | 2 | |
| 11 | 17H2105 | O Ring - Speedometer | 1 | |
| 12 | 17H1304 | Nut - Knurled | 2 | |
| 13 | BHA4794 | Angle Drive - On Speedometer | 1 | |
| 14 | GSD104 | Cable - Speedometer - Standard - LHD | 1 | |
| 14 | GSD151 | Cable - Speedometer - Overdrive - LHD | 1 | |
| 14 | GSD117 | Cable - Speedometer - Automatic - LHD | 1 | |
| 15 | 120694 | Angle Drive - On Gearbox | 1 | |
| 16 | ACB8474 | Grommet - Speedometer Cable | 1 | |
| 17 | AHC580 | Clip - Cable | 1 |] Overdrive models |
| 18 | ACH8529 | Ferrule - Clip | 1 | |
| 19 | RV12619/00E | Tachometer - Recon - Customer's Own Unit | 1 |] Alternatives; not North America |
| 19 | RV12630/00E | Tachometer - Recon - Customer's Own Unit | 1 | |
| 20 | RV11612/00E | Tachometer - Recon - Customer's Own Unit | 1 | |
| 20 | RV11613/00E | Tachometer - Recon - One For One Exch. | 1 | North America up to May 1968 |
| 21 | AJH5177 | Glass - Tachometer | 1 | North America from May 1968 |
| 22 | 17H3744 | Clamp - Tachometer | 2 |] Not North America |
| 23 | AJH5178 | O Ring - Tachometer | 1 | |
| 24 | 17H1304 | Nut - Knurled | 2 | |
| 25 | 17H1339 | Clamp - Tachometer | 2 |] North America |
| 26 | 17H2105 | O Ring - Tachometer | 1 | |
| 27 | 17H1304 | Nut - Knurled | 2 | |

Telephone: 01954 230928 Fax: 01954 231923, Email: sales@mgocspares.co.uk
Buy Online at www.mgocspares.co.uk



**MGC
&
MGC GT**



© 2007 MGOC Spares Ltd

Telephone: 01954 230928 Fax: 01954 231923, Email: sales@mgocspares.co.uk

As with speedometers and tachometers in the previous section, all USA markets MGCs, plus Canada from 1968, received different oil, water and fuel gauges to those used in the rest of the world. These are referred to here as North America gauges. Unlike speedometers and tachometers, many of the gauges here are available as a choice of either new or reconditioned exchange units.

1	BHA4737	Oil/Water Gauge - '°F' - New	1	} 1967-68, not North America	
1	BHA4737E	Oil/Water Gauge - '°F' - Recon Exchange	1		
2	BHA4764	Oil/Water Gauge - '°C' - New	1	} 1969, not North America	
2	BHA4764E	Oil/Water Gauge - '°C' - Recon Exchange	1		
3	BHA4900	Oil/Water Gauge - 'CNH' - New	1	} North America	
3	BHA4900E	Oil/Water Gauge - 'CNH' - Recon Exchange	1		
4	BHA4686E	Water Gauge - Electric - Recon Exchange	1	} Not North America	
5	BHA4687E	Oil Gauge - Recon - One For One Exch.	1		
6	BHA4736	Fuel Gauge - New	1	} North America	
6	BHA4736E	Fuel Gauge - Recon Exchange	1		
7	BHA4685E	Fuel Gauge - Recon - One For One Exch.	1	} North America	
8	17H1068	Glass - Oil/Water, Water and Fuel Gauges A/R			
9	AJH5187	Clamp - Oil/Water, Water and Fuel Gauges A/R			
10	17H1642	O Ring - Oil/Water, Water and Fuel Gauges A/R			
11	17H932	Nut - Knurled	A/R		
12	NH806011	Nut - Oil Gauge	2		
13	PWZ102	Washer - Plain	2		
14	PWZ202	Washer - Plain	4		
15	WL700061	Washer - Spring	2		
16	AHH6678	Tube Assembly - Oil Gauge	1		
17	2K4936	Washer - Leather	1		
18	AAA643	Grommet - Oil Tube	1		} 1967, plus all North America 1968-69, not North America
18	AHC805	Grommet - Oil Tube	1		
19	AAA628	Connector - Pipe to Hose	1	} North America	
20	GHF101	Screw	1		
21	GHF331	Washer - Spring	1		
22	AHH6554	Hose - Oil	1		
23	2A269	Adaptor - Oil Hose	1		
24	2K4956	Washer - Fibre	1		
25	GTR104	Transmitter - Water Temperature	1		
26	BHA4602	Stabilizer - Voltage	1		
27	AB610051	Screw - Stabilizer	1		
28	PCR309	Clip - Large - Capillary Tube to Bulkhead	1		} Not North America
28	PCR307	Clip - Small - Capillary Tube to Bulkhead	1		
29	PCR307	Clip - Oil Pipe to Bulkhead	1		} North America
30	PMZ307	Screw	1		
31	WL700101	Washer - Spring	1		

**Telephone: 01954 230928 Fax: 01954 231923, Email: sales@mgocspares.co.uk
Buy Online at www.mgocspares.co.uk**

HEATER:

MATRIX

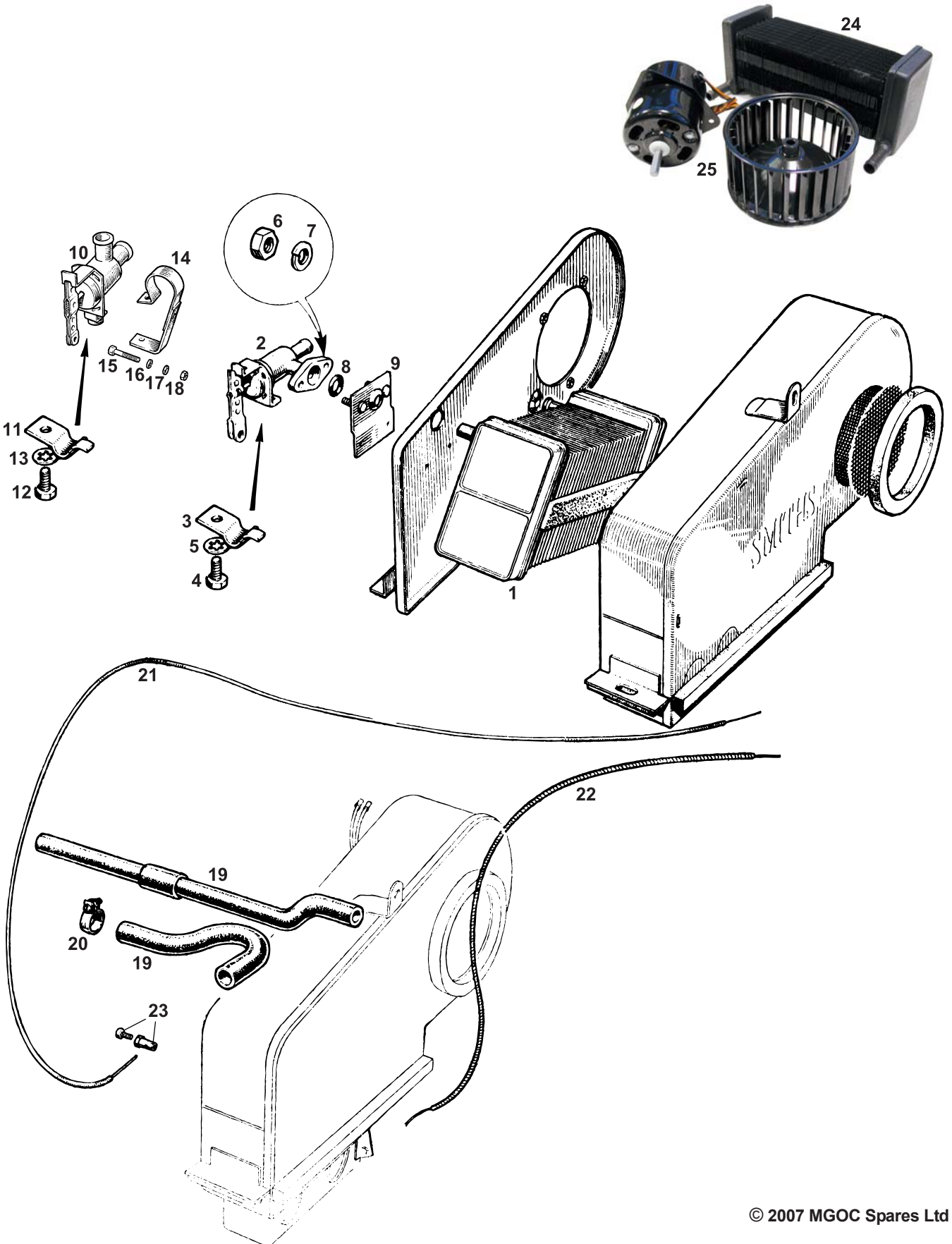
MOTOR/FAN

CABLES/CONTROLS

WATER VALVE

HOSES





The MGC was fitted with two heater types during its production life:

The early type heater, fitted up to chassis numbers 2063 (Roadster) and 2603 (GT), looks and is very similar to an MGB heater, the only difference being that the heater water valve directly attaches to the matrix by being screwed to a bracket on the front of the heater casing. An MGB heater matrix may be used in an early MGC heater, following slight modification. All other heater unit parts are the same as MGB - please refer to the MGOC Spares MGB parts catalogue.

The late type heater, fitted from chassis numbers 2064 (Roadster) and 2604 (GT) onwards, is exactly the same as MGB since the water valve is no longer attached to it and resides instead on the engine cylinder head (the water valve itself is not however the same as an MGB item). Again, please refer to the MGOC Spares MGB parts catalogue for heater parts.

Other parts in the heater system differing from MGB include the water inlet and outlet hoses (originally moulded in early and late heater versions, now not available and superseded by hose sold by the metre from roll), plus the control cables (some of which are now superseded to 'borrowed' MGB items).

1	ARO1994	Matrix - Heater - Standard	1	Require slight modification for early heaters
2	27H8836Z	Valve - Water - Early Type	1	
3	27H1193	Clamp - Cable	1	Early heater; up to chassis numbers 2063 (Roadster) and 2603 (GT)
4	53K126	Screw - Clamp	1	
5	WF702101	Washer - Shakeproof	1	
6	GHF200	Nut - Valve to Heater	2	
7	GHF331	Washer - Spring	2	
8	C9928A	O Ring - Valve to Heater	1	
9	27H8841	Bracket - Valve to Heater	1	
10	BHA4918	Valve - Water - Late Type - Original	1	
10	JJC10018	Valve - Water - Alternative (needs modifying)	1	
11	27H1193	Clamp - Cable	1	
12	53K126	Screw - Clamp	1	
13	WF702101	Washer - Shakeproof	1	
14	AHC885	Bracket - Valve to Cylinder Head	1	
15	GHF117	Screw - Valve Clamping	1	
16	GHF300	Washer - Plain	1	
17	GHF331	Washer - Spring	1	
18	GHF200	Nut	1	
19	GRH1006M	Hose - Heater	A/R	
20	GHC507	Clip - Heater Hose - Jubilee	A/R	Sold per metre
20	CS4012	Clip - Heater Hose - Supergrip	A/R	Worm-drive type clip
21	AHC752	Cable - Heat Control	1	Wire type clip
22	BHH679	Cable - Air Control	1	RH drive
22	BHH1220	Cable - Air Control	1	LH drive
23	24G1482K	Trunnion and Screw Kit - Cables	4	

MG heaters are notoriously ineffective so new improved components increase the volume of warm air to the interior:

24	ARO1994HE	Heater Matrix - High Efficiency	1
25	F217	Heater Motor and Fan - Uprated	1

**Telephone: 01954 230928 Fax: 01954 231923, Email: sales@mgocspares.co.uk
Buy Online at www.mgocspares.co.uk**

BODY:

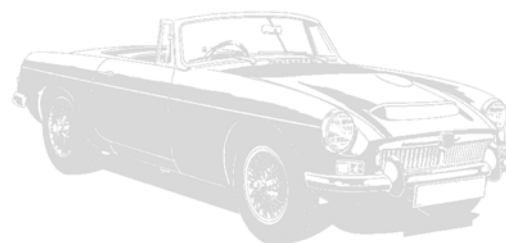
BONNET & FITTINGS

FRONT INNER PANELS

BADGES

DECAL KITS

SEBRING BODY STYLING

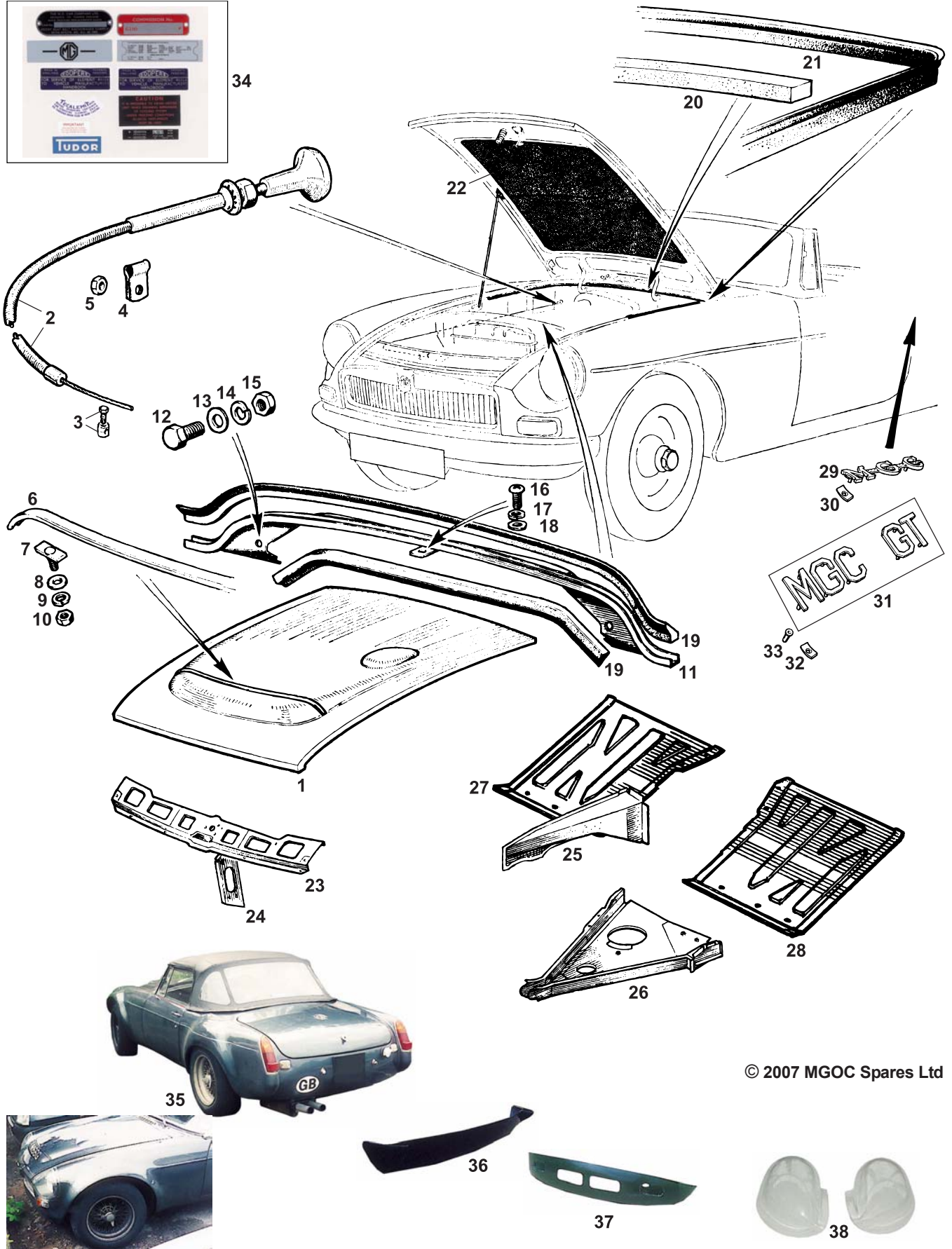




MGC & MGC GT



34



© 2007 MGOC Spares Ltd

Telephone: 01954 230928 Fax: 01954 231923, Email: sales@mgocspares.co.uk

The majority of MGC body panels, fittings and trim are, of course, either shared with the MGB or capable of being adapted from MGB parts. Please refer to the MGOC Spares MGB parts catalogue for such items. Where the MGC differs significantly from the MGB is in the bodyshell front end substructure (most of which is not available), the bonnet and badging. Body items unique to MGC and which are currently available are as follows:

1	HZA1318	Bonnet Assembly - Aluminium	1	Original fitment
1	MBP3	Bonnet Assembly - Fibre Glass	1	Alternative
2	AHC19	Cable Assembly - Bonnet	1	
3	24G1052K	Trunnion and Screw - Cable	1	
4	PCR311	Clip - Cable	2	
5	GHF201	Nut - Clip	2	
6	AHC12	Moulding - Bonnet	1	
7	AHA9447	Stud Plate - Moulding	6	
8	GHF306	Washer - Plain	6	
9	WL700101	Washer - Spring	6	
10	GHF206	Nut	6	
11	AHC400	Sealing Plate - Bonnet	1	
12	SH605051	Screw - Plate to Radiator Mounting	2	
13	GHF301	Washer - Plain	2	
14	GHF332	Washer - Spring	2	
15	GHF201	Nut	2	
16	PMZ307	Screw - Plate to Fan Cowl	1	
17	WL700101	Washer - Spring	1	
18	GHF306	Washer - Plain	1	
19	AHC404	Seal - Bonnet to Plate and Plate to Radiator	2	
20	BHH2270	Seal - Bonnet - Rear Channel	1	
21	BHH209	Seal - Bonnet - Rear Lip	1	
22	N044	Soundproofing Kit - Bonnet	1	
23	HZA1413	Platform - Bonnet Locking	1	
24	HZA1115	Support - Bonnet Locking Platform	1	
25	HZA1392A	Reinforcement - Inner Wing - RH	1	} Often referred to as inner wing 'trumpets'
25	HZA1393A	Reinforcement - Inner Wing - LH	1	
26	HZA1406A	Rear Section - Front Side Member - RH	1	
26	HZA1407A	Rear Section - Front Side Member - LH	1	
27	MC22R	Main Floor Repair - Front - RH	1	
28	MC22L	Main Floor Repair - Front - LH	1	
29	AHC76	Badge - Boot Lid - 'MGC'	1	} Roadster
30	PFS103	Push Fix - Badge	2	
31	AHC7836/9	Letter Set - Tailgate - 'MGC GT'	1	} GT
32	PFS103	Push Fix - Letter Set	10	
33	352985	Blind Fix - Letter Set - Alternative	10	

Exact reproductions of the stickers, transfers, decals and plates originally to be found on your MGC are available in sets to take away the guesswork of what should be on your car. Each item is also available separately.

34	A281	Decal and Plate Set - MGC	1	Roadster (not North America)
34	A280	Decal and Plate Set - MGC	1	Roadster (North America)
34	A282	Decal and Plate Set - MGC	1	GT

Fibre glass replicas of the panels fitted to the famous Sebring MGCs are available - the ultimate body building kit for your MG!

35	H095	Sebring Wing Kit - Four Wings	1	Roadster
35	H096	Sebring Wing Kit - Four Wings	1	GT
36	H090	Sebring Rear Valance	1	

As fitted to many competition MGBs and MGCs in the 1960s, improving aerodynamics and appearance.

37	H085	Sebring Front Valance	1	
----	------	-----------------------	---	--

This valance first appeared on the Sebring MG racing cars and features air scoops to direct air towards the front brakes. May be used as part of a Sebring conversion or as a replacement front valance.

38	H099	Sebring Headlamp Cowls - Pair	1	
----	------	-------------------------------	---	--

**Telephone: 01954 230928 Fax: 01954 231923, Email: sales@mgocspares.co.uk
Buy Online at www.mgocspares.co.uk**

WORKSHOP:

LUBRICANTS

CAR CARE

SERVICING

TUNING/TOOLS

TERMS & CONDITIONS





MGC & MGC GT



© 2007 MGOC Spares Ltd

Telephone: 01954 230928 Fax: 01954 231923, Email: sales@mgocspares.co.uk



- | | | | | |
|---|---------|--|-----|---|
| 1 | G770 | Castrol Valvemaster Plus | A/R | |
| Reduces pinking and knocking or the need to retune the engine when using unleaded fuel (raises octane rating). Treats 250 litres of fuel. | | | | |
| 2 | G601 | Castrol Classic XL30 - 4.5 Litres | A/R | Monograde engine oil for earlier MGs |
| | G611 | Castrol Classic XL30 - 25 Litres | A/R | |
| 3 | G600 | Castrol Classic XL 20w/50 - 4.5 Litres | A/R | Low detergent classic multigrade engine oil |
| 4 | G610 | Castrol Classic XL 20w/50 - 25 Litres | A/R | Supplied with 1 pint jug and drum tap |
| XL 20w/50, XL30 and Formula RS are all available in home workshop 25 litre drums. Delivery is free (UK mainland). The most economical supply of quality engine oil for your MG. | | | | |
| 5 | G605 | Castrol Classic R40 - 4.5 Litres | A/R | High performance castor-based engine oil with distinctive aroma |
| | G606 | Castrol Formula RS 10w/60 - 20 Litre | A/R | High performance fully synthetic engine oil |
| | G657 | Castrol Running In Oil - 5 Litres | A/R | First fill for remanufactured engines |
| 6 | G700 on | Castrol Classic Pouring Jug | A/R | Half, one or two pint sizes, or set of three |
| 7 | G621 | Castrol EP90 Gear Oil - 1 Litre | A/R | For gearboxes and differentials requiring SAE90 |
| 8 | G620 | Castrol EPX80w/90 Gear Oil - 1 Litre | A/R | For differentials requiring SAE 80W/90 |

In addition, lifestyle accessories each bearing the classic Castrol logo tell others that you use the best lubricants in your MG:

- | | | | | |
|----|---------|--|-----|--|
| 9 | G750 | Race Cap - Castrol | A/R | 100% cotton with embroidered logo |
| 10 | G725 on | Lapel Badge - Wakefield Castrol | A/R | Enamelled chrome; available in different sizes |
| 11 | G720 | Key Fob - Wakefield Castrol | A/R | Enamelled chrome with leather fob |
| 12 | G752 | Woven Race Decal - Castrol Classic | A/R | Cloth overall motif in 60s racing theme |
| 13 | G732 on | T Shirt - Castrol Classic | A/R | Quality cotton in M, L or XL size |

Choose from a range of brake/clutch fluids specially selected for road or competition use:

- | | | | |
|----|-----------|--|-----|
| 14 | 1774 | Castrol - Response - Dot 4 - 1 Litre | A/R |
| 14 | 1774/6610 | Castrol - Response - Dot 4 - 500ml | A/R |
| 15 | 1775 | Castrol - Response - Super Dot 4 - 1 Litre | A/R |
| 16 | 1767 | Castrol - SRF - 1 Litre | A/R |
| 17 | F195 | Silicone Brake Fluid - 1 Litre | A/R |
| 17 | F196 | Silicone Brake Fluid - 500ml | A/R |

- | | | | |
|--|------|---------------------------------------|-----|
| 18 | G231 | Water Wetter - 335ml Bottle | A/R |
| Lowers engine temperature by up to 15°C. One bottle treats 15 litres of coolant. | | | |

- | | | | |
|--|------|----------------------------------|-----|
| 19 | G230 | Forlife Radiator Fluid | A/R |
| Protects against corrosion and scale, preserves hoses and gives frost protection down to -42°C. Maintains properties for 10 years. | | | |

- | | | | | |
|----|------|---|-----|---------------------------------------|
| 20 | G649 | Castrol Brake Cleaner - 400ml Aerosol | A/R | |
| 21 | C097 | Exhaust Jointing Seal | A/R | |
| 22 | A140 | Wellseal Jointing Compound - 100ml Tube | A/R | Non-hardening, non-flammable compound |

Forte Liquid Maintenance is a range of automotive problem solving treatments for professional or home workshop use, for classic and modern MGs:

- | | | | |
|----|------|--|-----|
| 23 | A500 | Forte Gas Treatment - 400ml | A/R |
| 23 | A501 | Forte Carb and Injector Cleaner - 400ml | A/R |
| 23 | A502 | Forte Diesel Conditioner - 400ml | A/R |
| 23 | A505 | Forte Diff and Gear Treatment - 125ml | A/R |
| 23 | A507 | Forte Seal Conditioner - 125ml | A/R |
| 23 | A510 | Forte Motor Flush - 400ml | A/R |
| 23 | A512 | Forte Oil Treatment - 400ml | A/R |
| 23 | A513 | Forte Oil Fortifier - 400ml | A/R |
| 23 | A514 | Forte Top End Treatment - 400ml | A/R |
| 23 | A520 | Forte Radiator Stop Leak - 500ml | A/R |
| 23 | A521 | Forte Cooling System Flush - 500ml | A/R |
| 23 | A522 | Forte Cooling Conditioner - 500ml | A/R |
| 23 | A530 | Forte Auto Gearbox Treatment - 125ml | A/R |
| 23 | A540 | Forte Bio Degreaser - 400ml | A/R |
| 23 | A550 | Forte Power Steering Treatment - 75ml | A/R |
| 23 | A560 | Forte Air Intake Cleaner - 400ml | A/R |
| 23 | A570 | Forte Air Conditioning Treatment - 200ml | A/R |

- | | | | |
|--|------|---------------------------------------|-----|
| 24 | A095 | Toughseal Alloy Wax - 500ml | A/R |
| Cleans, polishes and protects alloy, chrome and highly polished wheels, all in one | | | |

The Turtle Wax Platinum Series range of car care products is highly recommended and is available as individual products or as a valeting kit comprising car wax, car wash, tar, tree sap and insect remover, wheel cleaner (chrome friendly), tyre dressing and cockpit shine, each in 500ml containers. Further Turtle Wax car care products are also available for chrome polishing, leather and other upholstery cleaning and conditioning etc. Please contact MGOC Spares for details.

- | | | | |
|----|------|--|-----|
| 25 | A400 | Club Car Valeting Kit | A/R |
| 26 | A435 | Tyre Dressing - Turtle Wax - 500ml | A/R |
| 27 | A450 | Cockpit Shine - Turtle Wax - 500ml | A/R |
| 28 | A460 | Tar, Tree Sap and Insect Remover - 500ml | A/R |
| 29 | A405 | Car Wax - Turtle Wax - 500ml | A/R |
| 30 | A445 | Wheel Cleaner - Turtle Wax - 500ml | A/R |
| 31 | A425 | Car Wash - Turtle Wax - 500ml | A/R |

Periodical Maintenance Table

Note: The periodical maintenance table shows the maintenance schedule advised by the MG Car Company in their technical publications at the time of MGC production. It therefore relates to cars in regular use, as they would have been at the time, and does not account for occasional use or cars which are stored for some time. Some interpretation may therefore be necessary to account for typical MGC use today. It is suggested that for cars covering low annual mileages, the 3000 mile service should be carried out at 3 month intervals while the car is in use, the 6000 mile service at 6 month intervals, and so on.

In addition to the periodical maintenance described in the table, the following checks should be made weekly:

- Check oil level in engine and top up if necessary.
- Check water level in radiator and top up if necessary.
- Check brake pressure warning light (if fitted).
- Check brake fluid level and top up reservoir if necessary.
- Check battery electrolyte level and top up if necessary.
- Check windscreen washer reservoir and top up if necessary.
- Check function of original equipment: exterior lamps, wipers and indicators.
- Check tyres for tread depth and any damage, including cuts in fabric, exposure of carcass, lumps or bulges.
- Check tyre pressures, including spare, and tightness of wheel fastenings.

MAINTENANCE PERIODS	3000 Miles (5000 Km)	6000 Miles (10000 Km)	12000 Miles (20000 Km)	24000 Miles (40000 Km)
Engine				
Top up carburettor piston dampers	X	X	X	X
Top up radiator	X	X	X	X
Check fan and air pump (if fitted) belt tension	X	X	X	X
Fit new elements to carburettor and air pump (if fitted) air cleaners			X	X
Check exhaust emission		X	X	X
Oscilloscope tune up			X	X
Check valve rocker clearances and adjust if necessary		X	X	X
Closed circuit breathing system: test and clean crankcase breather valve			X	X
Top up windscreen washer bottle	X	X	X	X
Ignition				
Check automatic ignition control, lubricating drive shaft, cam and advance mechanism		X	X	X
Check distributor contact points and adjust if necessary		X	X	X
Clean and adjust spark plugs		X		
Fit new spark plugs			X	X
Suspension and Steering				
Check suspension and steering moving parts for wear			X	X
Check wheel alignment and adjust if necessary		X	X	X
Clutch				
Check level of fluid in hydraulic clutch supply tank and top up if necessary	X	X	X	X
Gearbox and Overdrive (if fitted)				
Clean overdrive filters				X
Automatic Transmission (if fitted)				
Check fluid level and top up if necessary	X	X	X	X
Brakes				
Make visual inspection of brake lines and pipes and check reservoir fluid level	X	X	X	X
Inspect disc brake friction pads for wear		X	X	X
Inspect and clean out brake linings and drums			X	X
Check brake pedal free travel and adjust brakes if required		X	X	X
General				
Check rear road spring seat bolts			X	X
Electrical				
Check battery cell specific gravity readings and top up to correct level	X	X	X	X
Check all lamps for correct functioning	X	X	X	X
Check headlamp beam setting and reset if necessary			X	X
Lubrication				
Top up oil level in engine	X			
Change engine oil		X	X	X
Fit new oil filter element		X	X	X
Top up oil levels in gearbox and rear axle		X	X	X
Lubricate water pump sparingly (early pumps only)			X	X
Lubricate all grease nipples	X	X	X	X
Lubricate door locks and hinges		X	X	X
Wheels and Tyres				
Check tyre pressures and check wheel nuts for tightness	X	X	X	X
Check wheel alignment			X	X

Lubrication Chart

Note: Ensure that the car is standing on a level surface when checking the oil levels.

Every Week

- 1 ENGINE. Check the oil level with the dipstick and replenish if necessary with Castrol Classic XL20w/50 oil.

Every 3000 Miles (5000Km)

- 2 SWIVEL AXLES (four nipples). Give three or four strokes of a gun filled with Castrol LM grease.
- 3 CARBURETTORS. Remove the cap from the top of each suction chamber and top up to the correct level with a few drops of SU Carburetter Damper Oil.
- 4 AUTOMATIC TRANSMISSION. Check the fluid level and top up if necessary with Castrol TQF.
- 5 ENGINE (if using monograde or single viscosity oil). Drain and refill with Castrol SAE 30.

Every 6000 Miles (10000Km)

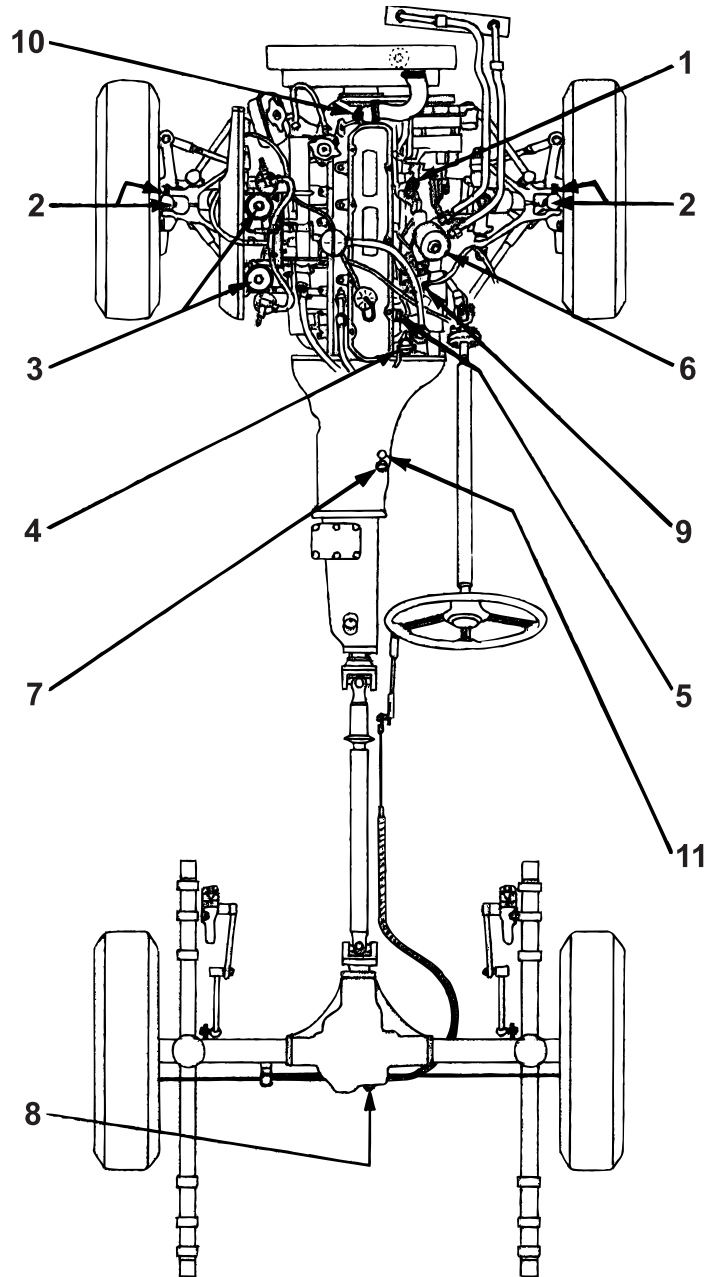
- 5 ENGINE. Drain and refill with Castrol SAE 30 (if using monograde or single viscosity oil) or Castrol Classic XL20w/50 (if using multigrade oil).
- 6 ENGINE OIL FILTER. Drain, wash the bowl in fuel and fit a new element.
- 7 GEARBOX. Check the oil level and top up if necessary with Castrol Classic XL20w/50 oil.
- 8 REAR AXLE. Remove the filler plug and replenish to the filler plug level with Castrol EP90 oil.
- 9 DISTRIBUTOR. Withdraw the rotor arm and add a few drops of light oil to the cam bearing and advance mechanism, through the gap around the cam spindle. Add a spot of oil to the contact breaker pivot and smear the cam lightly with Castrol LM grease.

Every 12000 Miles (20000Km)

- 10 WATER PUMP. Remove the oiling plug (if fitted) from the water pump and lubricate sparingly with Castrol LM grease.

Every 24000 Miles (40000Km)

- 11 GEARBOX WITH OVERDRIVE FITTED. Drain, clean the overdrive sump and relief valve filters and refill with Castrol Classic XL20w/50 oil.



**Telephone: 01954 230928 Fax: 01954 231923, Email: sales@mgocspares.co.uk
Buy Online at www.mgocspares.co.uk**



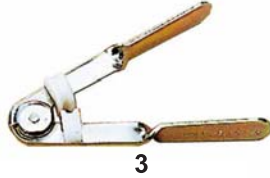
MGC & MGC GT



1



2



3



4



6



5



7



8



9



10



11



12



13



15



16



7



18



19



20



14

© 2007 MGOC Spares Ltd

Telephone: 01954 230928 Fax: 01954 231923, Email: sales@mgocspares.co.uk



MGC & MGC GT



1	F199	Brake Hose Clamp1
2	T4	Girling Shoe Horn1
3	F197	Pipe Bending Tool - Small1
3	F198	Pipe Bending Tool - Large1
4	T2	Girling Retraction Tool1
5	F305	Car Polisher1

Brake shoe lever tool makes easy work of brake shoe replacement

Designed to replace brake pads without damaging calliper pistons

This mains-operated orbital motion car polisher has a 24cm polishing head supplied with a cotton bonnet for applying polish and a soft wool bonnet for buffing. This is the effortless way to restore your paintwork to a showroom shine.

6	Z015	Carburettor Tuning Tool Kit - SU1
7	Z067	Panel Cutter1
8	Z090	Trolley Jack - 2 Ton Capacity1
9	Z094	Axle Stands - Pair - 1500Kg Capacity1
10	Z091	Bottle Jack - Hydraulic - 2000Kg Capacity1
11	Z120 on	Mechanics Mate Wing Cover - Non-Slip A/R1

Original style set of exactly the right tools for your carburettors
Attaches to power drill and cuts cleanly through steel body panels
Ideal for home workshop use
Adjustable to maximum height of 370mm
Lift height from 181mm to 346mm

Mechanics Mate covers are made from machine-washable nylon with a non-slip padded backing and featuring an MG logo. Choose from 76 or 120cm long versions - please contact MGOC Spares for details.

12	Z200	MG Tool Roll - Includes 15 Tools1
----	------	----------------------------------	--------

Specially selected for MG use, the canvas 15 compartment tool roll contains the following quality tools: 7" combination pliers, 6 imperial spanners in the most commonly used sizes, spark plug wrench, spark plug brush, Posidrive and slotted screwdrivers, feeler gauge set, tyre gauge, circuit tester and adjustable wrench.

MGOC Spares offer the range of Gunsons tuning products to help tune your MG for peak economy and performance:

13	Z013	Tappet Adjuster - Gunsons 'Clik-Adjust'1
14	Z011	Advance Xenon Timing Light - Gunsons1
15	Z010	Gastester - Gunsons1
16	Z004	Carbalancer - Gunsons1
17	Z005	Colortune - Gunsons1
	Z005A	Adaptor Kit - 10mm - Colortune1
	Z005B	Adaptor Kit - 12mm - Colortune1
	Z005E	Adaptor Kit - 18mm - Colortune1
18	Z009	Hi-Gauge - Gunsons1
19	Z008	Autoranger - Gunsons1
20	Z012	Eezibleed - Gunsons1

Micrometer tappet adjuster for absolutely precise clearance
Stroboscopic light powered by the car battery for perfect dynamic timing
Analyses exhaust CO level
Helps equalise air flow through multiple carburettors
Use Colortune to ensure perfect air/fuel mixture

For compression testing cylinders
Multi-functional meter for revs, dwell angle, voltage, current and resistance
Automatic hydraulic brake and clutch bleeding kit

**Telephone: 01954 230928 Fax: 01954 231923, Email: sales@mgocspares.co.uk
Buy Online at www.mgocspares.co.uk**

TERMS & CONDITIONS OF SALE

1. All orders must be paid for prior to despatch unless other arrangements have been made.
2. All products supplied carry the manufacturer's warranty. This does not affect your statutory rights. When notifying a claim for faulty products, the original invoice number must be quoted.
3. All parts offered subject to availability. We reserve the right to alter prices without notice. All part numbers, illustrations and photographs used in our catalogues are intended for reference/identification purposes only, and are not necessarily an exact representation of the goods supplied. Whilst we make every effort to ensure the accuracy of product descriptions in our catalogues, they are based upon information supplied by the manufacturer/distributor at the time of publication.
4. All mail order parts are insured in transit either by ourselves, or our appointed carrier. Claims for shortages or damage must be notified to us within 24 hours of timed receipt of order.
5. We are unable to replace damaged goods if they have been signed for "Received in Good Condition". Do not sign until you have verified the condition of the consignment.
6. Retention of goods for a period of seven days or fitment will be taken as acceptance of the above conditions.
7. All goods supplied remain the property of MGOC (Spares) Ltd, until paid for in full.

WARRANTY

All products are fully warranted against defects in materials and workmanship. Please contact us immediately if any problem occurs within the warranty period. (12 months from the date of invoice) Claims are limited to the cost of the warranted component and do not extend to cover garage labour, delivery or any other consequential costs. No warranty claim will be accepted if failure is caused by misuse, neglect, overheating (engines), incorrect installation, or failure of a related component. Any replacement under warranty will have the benefit of the outstanding balance of the warranty given with original product. With any claim or correspondence, a copy of the purchase invoice must be produced. The warranty is in addition to, and does not detract from your statutory right as a consumer.

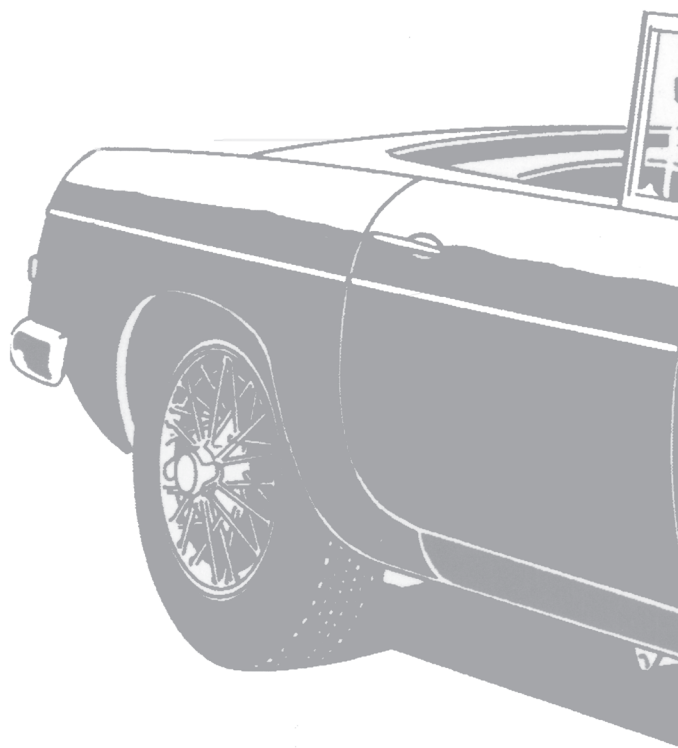
OTHER RETURNS FOR CREDIT OR EXCHANGE

Where we have correctly supplied a part as ordered, but find it is not the one you really needed, you may return it for exchange. If you require credit instead of exchange, there is a returns handling charge (usually 15%) to cover administration and stores costs. This charge is waived if the value of the return is offset against another order. The original invoice must accompany the goods returned and be within 1 month of purchase. Every effort is made to process returns as quickly and efficiently as possible, though in busy periods this could take up to 2 weeks. Please supply as much information as possible when making a return i.e. Membership No, Invoice No, reason for return etc, otherwise a delay may be incurred.

EXCHANGE DEPOSITS

When reconditioned or new products are sold on an exchange basis, an exchange deposit (sometimes called a surcharge) is applied. This is refunded to you when your old unit is received by us and checked to establish its suitability for reconditioning. The system allows you to have exchange replacement parts fitted thereby reducing garage bills for specialist reconditioning, and minimises the time your vehicle is off the road. Exchange Deposits are refunded in full except where returned components are incomplete, cracked or broken, thereby rendering them unserviceable for reconditioning. In such cases we reserve the right to retain all or part of the exchange deposit. When returning your old unit, always label it with your name, address, invoice number, and any exchange label provided for that purpose. Make sure old units are drained of oil, water, brake fluid etc. and packed properly for transport. Owing to the rarity of a certain few MG components, these can only be exchanged on a "one for one" basis. It may be that your component will be required for reconditioning and returned to you upon completion.

Continue ►



MGOC Spares & Accessories
Recommend and use Castrol Classic
Lubrication products

© 2018 MGOC Spares Ltd

Octagon House, Swavesey
Cambridge
CB24 4QZ



MG trademark reproduced under
BMH License