



Parts catalogue

MGB & MGB GT
1962 to 1980



Second edition



MGOC Spares and Accessories
A department of MG Owners Club



Thank you for loading the MGOC Spares & Accessories Compact Disc, featuring our unrivalled range of quality parts and accessories. We are sure that you will find this major club benefit valuable when ordering parts and maintaining your MG.

This CD contains the following:

- Fully illustrated Parts Catalogue for MGB 1800 1962 to 1980 (Edition 2, published 2008)
- The MGOC range of original MG parts, MGB performance upgrades and optional accessories
- MGOC PRICE LOOK UP System. Look up by part number and create your order to email, telephone, fax or post
- Useful web links to Buy Online at www.mgocspares.co.uk



OUR SERVICE. We pride ourselves on offering the finest quality MG components available and continually strive to maintain our 5 Star level of service. Our MGOC technical telephone personnel are MG enthusiasts, best placed to assist with any question relating to our products. For full details of our terms & conditions of sale, warranty, returns, exchanges and exchange deposits [Click here](#).



Sales & Ordering

Tel: +44 (0)1954 230928 or +44 (0)1954 231318

Fax: +44 (0)1954 231923 or +44 (0)1954 231073

Email: sales@mgocspares.co.uk

Buy Online at www.mgocspares.co.uk

MGOC Spares & Accessories.
Octagon House, Swavesey,
Cambridge
CB24 4QZ

© 2009 MGOC Spares Ltd

No part of this CD may be reproduced unless with prior written consent of MGOC Spares Ltd

Continue ►



MGOC Spares & Accessories is a department of MG Owners Club



MG trademark reproduced under BMH licence

ENGINE:

ENGINE TOP

ENGINE BOTTOM

HEAD ASSEMBLY

WATER PUMP & MECHANICAL FAN

OIL COOLERS

OIL FILTERS

ENGINE ELECTRICS

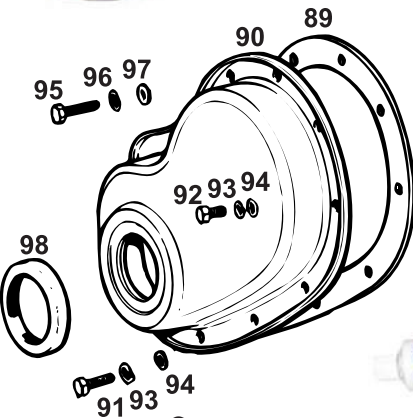
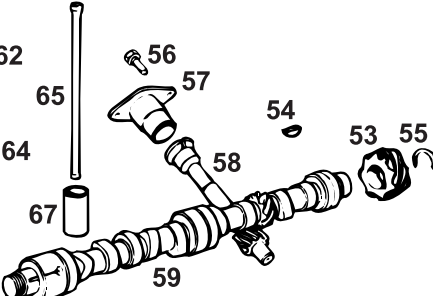
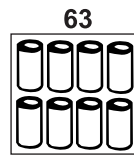
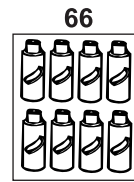
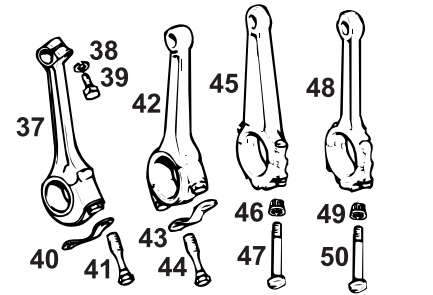
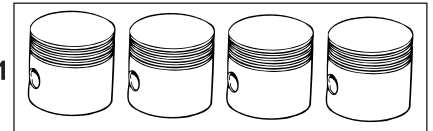
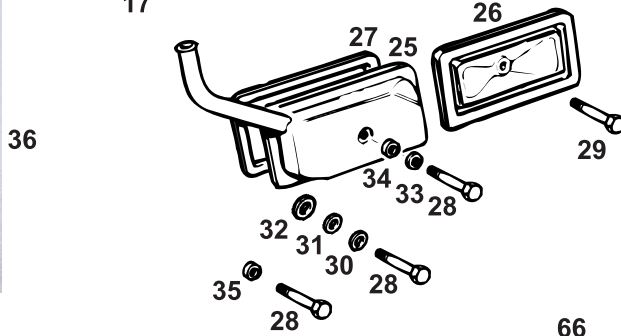
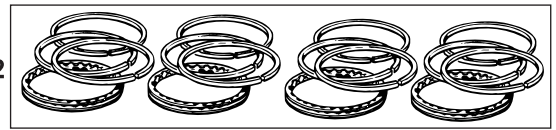
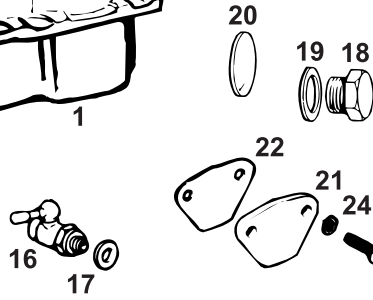
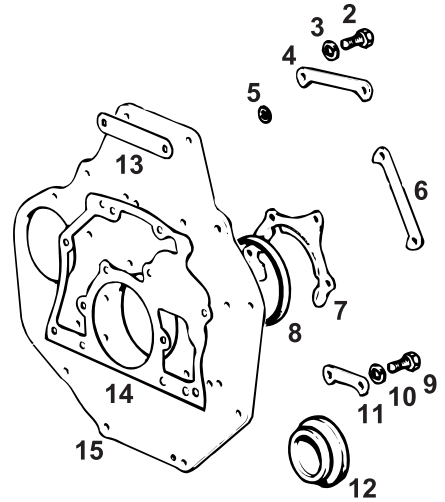
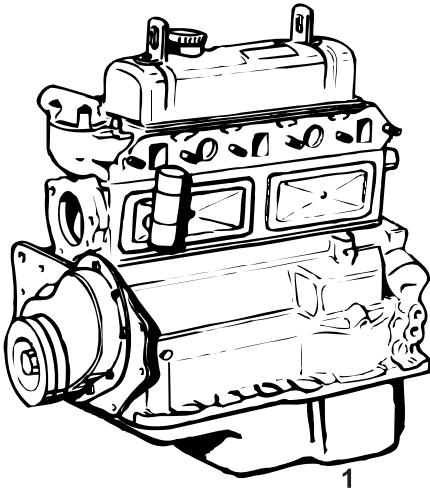
ENGINE CONTROLS

ENGINE MOUNTINGS





MGB & GT 1800



© 2008 MGOC Spares Ltd

Telephone: 01954 230928 Fax: 01954 231923, Email: sales@mgocspares.co.uk

Standard Engines

All standard engines are supplied less ancillaries (Flywheel, starter motor, distributor, manifolds etc) This does not apply to balanced engines that include backplate and flywheel only. A clutch can also be fitted at extra cost.

1	48G343LF	Engine - Unleaded - Exchange	1	} 3 Main bearing 18G/GA 1962-64
1	48G343BE	Engine - Unleaded - Balanced - Exchange	1	
1	48G739LF	Engine - Unleaded - Exchange	1	} 5 Main bearing 18GB 1965-67
1	48G739BE	Engine - Unleaded - Balanced - Exchange	1	
1	48G755LF	Engine - Unleaded - Exchange	1	} 5 Main bearing 18GD/GG 1968-71
1	48G755BE	Engine - Unleaded - Balanced - Exchange	1	
1	48G733LF	Engine - Unleaded - Exchange	1	} 5 Main bearing 18V 1971-74 (chrome bumper)
1	48G733BE	Engine - Unleaded - Balanced - Exchange	1	
1	BHM1111LF	Engine - Unleaded - Exchange	1	} 5 Main bearing 18V 1975-80 (rubber bumper)
1	BHM1111BE	Engine - Unleaded - Balanced - Exchange	1	

Performance Engines

Performance and tuned engines were once the hobby of the serious enthusiast only, requiring vast technical knowledge. Since that time a quiet revolution has taken place with large engine remanufacturers applying factory production techniques to the accepted and proven tuning specifications. You can now have a reliable performance engine, for everyday use, but at affordable costs.

Stage II engines go beyond the larger carbs, gas-flowed exhaust, high-flow air filters and performance distributor of Stage I by introducing a gas-flowed cylinder head and a modified camshaft. They also offer full engine balancing (including flywheel and clutch), giving a distinct improvement in smoothness of running and longer life through reduced vibration.

All Club Performance Engines provide faster and smoother acceleration, throughout the rev range. They will also sustain high speed cruising and run smoothly and quietly, all without detriment to reliability. Remanufactured and ready-tuned engines are now available for direct delivery via carrier to your door. Extra performance is now simply a matter of choosing the degree of tuning required to suit your driving needs.

1	G526	Engine - 1800 (3 Brg) Stage II - Unleaded	1	} State year and model; exchange
1	G500	Engine - 1860 Stage II - Unleaded	1	
1	G501BE	Engine - 1800 L/Comp. - Unleaded - Bal	1	
1	G509	Engine - 1950 Std - Unleaded	1	
1	G510	Engine - 2000 Std - Unleaded	1	
1	G510BE	Engine - 2000 Std - Unleaded - Balanced	1	
1	G510U	Engine - 2000 USA Std - Unleaded	1	
1	G520	Engine - 2000 Stage II - Unleaded	1	
1	G524	Engine - 2100 Hi-Torq - Unleaded	1	

Note: G524 only - Block bored and crank stroked to achieve 2,100cc, crank nitrided, performance camshaft, vernier power pulley, refaced flywheel, new ring gear, and clutch fitted. **See notes below.**

1	G525	Engine - 2100 Stage II - Unleaded	1	State year and model; exchange
---	------	-----------------------------------	---	--------------------------------

Note: G525 only - The largest capacity MGB modified engine yet, to 2,100cc. Supplied complete with HS6 AUD505M Special Tuning carburettors and inlet manifold, together with a performance distributor, balanced refaced flywheel and clutch. **See notes below.**

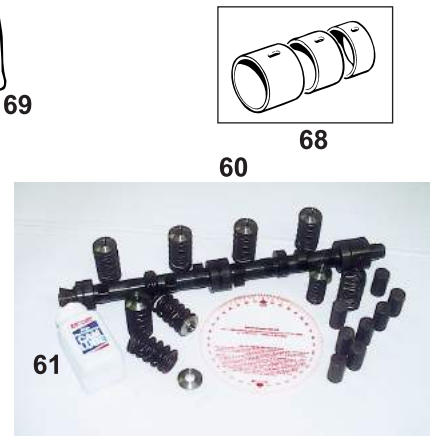
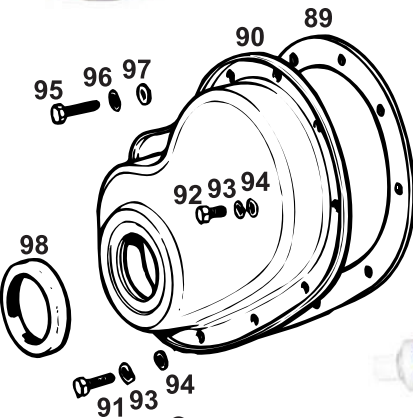
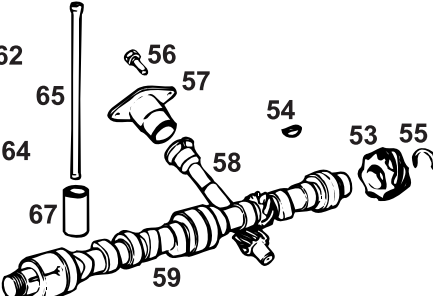
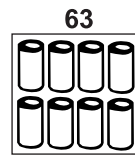
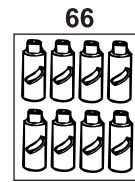
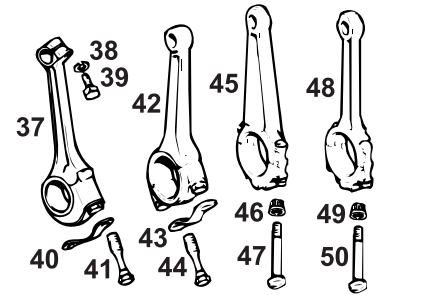
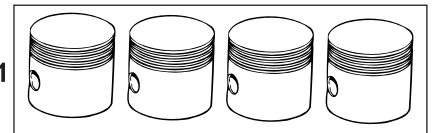
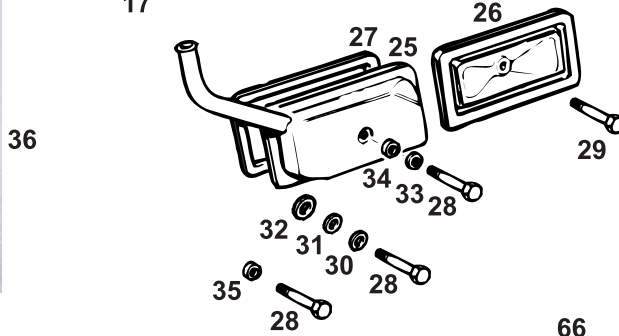
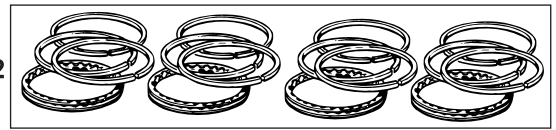
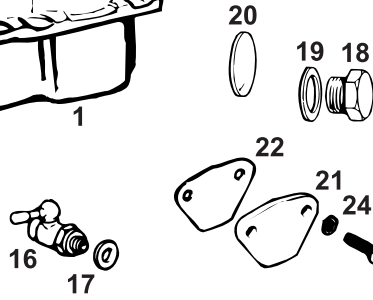
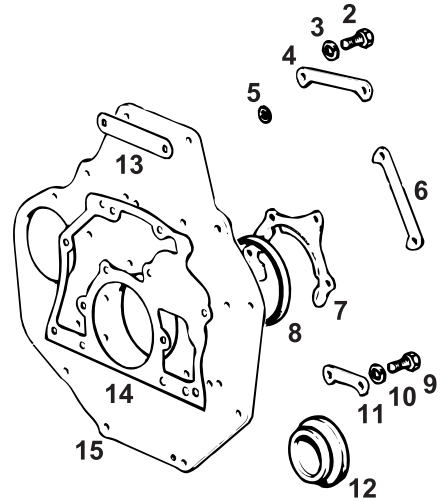
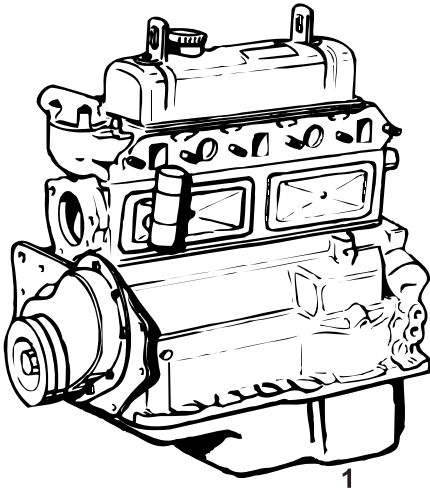
Note G524/G525 only: Please note that we advise you to fit a mechanical cooling fan to aid under bonnet cooling. (NB If a mechanical fan is not fitted, the engine's warranty will be affected). Therefore if the car does not already have a mechanical fan bolted to the water pump pulley, a plastic fan 12H4744 must be purchased. This fan fits cars 1973-1976. For cars after 1976 this same fan may be fitted but the plastic blades should be shortened by approximately 1 inch, to clear the top rubber hose.

Parts Availability: Certain components within the Engine section (e.g. some timing/tappet chest covers, backplates etc.) may not be currently available but are still included in the catalogue for reference purposes, or in anticipation that they may be reintroduced in future. These items may be identified by their absence or '0' pricing within our price look up program (please visit our website for price updates). In these circumstances customers should contact our spares team for advice - we will either provide an alternative or give second hand supplier sourcing information to MGOC members.

2	GHF105	Screw - Backplate	2	} 5 Bearing engines only
3	GHF333	Washer - Spring	2	
4	1H1021	Lock tab	1	
5	GHF332	Washer - Spring	4	
6	1H1020	Lock tab	1	
7	12H1547	Retainer - Oil seal	1	
8	LUF10002	Oil seal - Crank - Rear	1	
9	53K1779	Screw - Backplate	8	
9	SH606071	Screw - Backplate	8	
9	GHF105	Screw - Backplate	8	
10	GHF333	Washer - Spring	8	
11	2K6059	Locktab	2	
12	12H541	Blanking plug - Engine backplate	1	
13	12H762	Gasket - Backplate - Upper	1	
14	12H768	Gasket - Backplate - Lower	1	
15	12H752	Backplate - Engine to gearbox	1	} 18G/GA (3 main bearing)
15	12H1469	Backplate - Engine to gearbox	1	
15	CAM1003	Backplate - Engine to gearbox	1	} 18GD/GG/18V (4 synchro and automatic)
16	3H576	Drain tap	1	
17	ARH517	Washer - Tap	A/R	} Use washers as shims to set tap in vertical position
18	53K2853	Drain plug	1	
19	6K638	Washer - Plug	1	
20	2K8169	Welch plug - Dished	4	
20	AEH592	Welch plug - Cup	4	
21	2A265	Blanking plate - Petrol pump	A/R	
22	2A113	Gasket - Blanking plate	1	
23	SH605041	Screw	2	
24	GHF331	Washer - Spring	2	



MGB & GT 1800



© 2008 MGOC Spares Ltd

Telephone: 01954 230928 Fax: 01954 231923, Email: sales@mgocspares.co.uk



**MGB
& GT
1800**



25	12H4395	Cover - Tappet chest - Front	1	} 18GG23728 on, 18V
26	12A1386	Cover - Tappet chest - Rear	1	

Tappet chest covers for earlier engines (18G/GA/GB/GD and 18GG up to 23727) are usually not available new. The later covers listed here may be fitted to earlier engines with little modification, except in the case of open circuit breathing engines (usually 18G units) which require a unique 'swan neck' front cover.

27	12A1139B	Gasket - Tappet chest - 1/8" thick	2	} For original covers on 18G/GA/GB/GD, 18GG up to 23727
	12A1175B	Gasket - Tappet chest - 1/4" thick - Rubber	2	
	12A1175Z	Gasket - Tappet chest - 1/4" thick - Cork	2	
28	BH605201	Bolt - Front cover	1	} For original covers on 18G/GA/GB/GD, 18GG up to 23727
29	BH605141	Bolt - Rear cover	1	
29	BH605101	Bolt - Rear cover	1	
30	GHF301	Washer - Plain	2	} For original covers on 18G/GA/GB/GD, 18GG up to 23727
31	2K4958	Washer - Fibre	2	
32	12B63	Washer - Sealing	2	
33	12A1177	Washer - Cup	2	} 18GG 23728 on, 18V, plus later covers on earlier engines
34	12A1176	Bush - Rubber	2	
35	MRC1980A	Washer and bush - Combined	2	} Later design; may be used to replace 12A1177 and 12A1176
36	G002C	K & N Breather - Chrome top	1	
	G002	K & N Breather - Black top	1	

The K&N breather filter can be fitted to the front tappet chest cover when a closed circuit breathing system is disconnected. The filter may be cleaned and re-oiled, in the same way as K&N air filters (see Air Filters section for cleaner and oil).

37	12H998	Con rod - 1 and 3 cylinder	2	} 18G/GA (3 main bearing)
37	12H997	Con rod - 2 and 4 cylinder	2	
38	GHF331	Washer - Spring	4	
39	51K1774	Pinch bolt	4	
40	6K881	Tab washer	4	} 18GB/GD/early GG
41	12H1000	Bolt - Con rod	8	
42	12H1019	Con rod - Circlip type piston	4	
43	6K881	Tab Washer	4	
44	12H1000	Bolt - Con rod	8	} Late 18GG
45	12H2444	Con rod - Circlip type piston	4	
46	13H5872	Nut	8	} 18V
47	12G1300	Bolt - Con rod	8	
48	CAM1588	Con rod - Push fit type piston	4	} 18G/GA (3 main bearing); state size required std/+20/+30/+40/+60 18GB/GD/GG (5 main bearing); state size required std/+20/+30/+40/+60 18V; state size required std/+20/+30/+40/+60 Fits 12H961 and 12H2521 pistons; state size required std/+20/+30/+40/+60 Fits 12H5161 pistons; state size required std/+20/+30/+40/+60
49	13H5872	Nut	8	
50	12G1300	Bolt - Con rod	8	
51	12H961	Piston - Set of 4 - Pinch bolt type	1	
51	12H2521	Piston - Set of 4 - Circlip type	1	} 3 Main bearing engines (18G/GA)
51	12H5161	Piston - Set of 4 - Push fit type	1	
52	8G2506	Pistons rings - Engine set - 4 ring type	1	
	BHM1183	Pistons rings - Engine set - 3 ring type	1	
53	1H730	Gear - Tacho drive	1	} 3 Main bearing engines (18G/GA)
54	WKN304	Woodruff key - Tacho drive	1	
55	1H730	Circlip - Gear	1	
56	SF604061	Screw - Housing	1	
57	1G2285	Housing	1	} 3 Main bearing engines (18G/GA)
58	12G4499	Spindle - Distributor	1	
59	88G252	Camshaft	1	
59	88G252E	Camshaft - Reground - Exchange	1	
59	88G303	Camshaft	1	} 5 main bearing engines (18GB/GD/GG, 18V)
59	88G303E	Camshaft - Reground - Exchange	1	

Cam kits include camshaft, valve springs, cam followers, cam lube and static timing disc.

60	G028	Cam Kit - Mild - Exchange	1	} 3 Main bearing engines (18G/GA)
60	G029	Cam Kit - Fast - Exchange	1	
60	G030	Cam Kit - Mild - Exchange	1	} 5 main bearing engines (18GB/GD/GG)
60	G031	Cam Kit - Fast - Exchange	1	
60	G040	Cam Kit - Mild - Exchange	1	} 5 main bearing engines (18V)
60	G041	Cam Kit - Fast - Exchange	1	
60	G043	Camshaft 717 - Sports - Fast Road	1	
60	G044	Camshaft 718 - Supersports - Rally	1	
61	G045	Cam Lube	1	

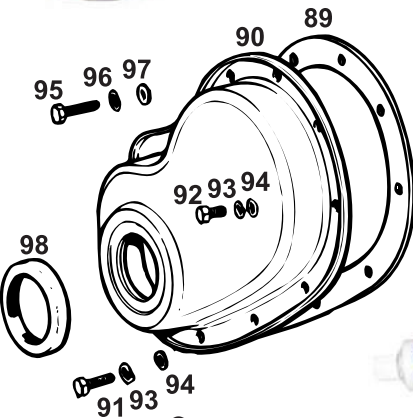
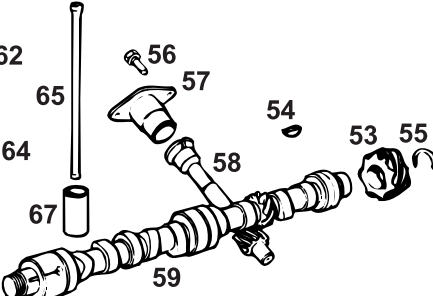
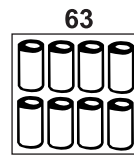
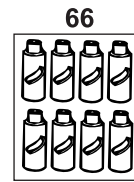
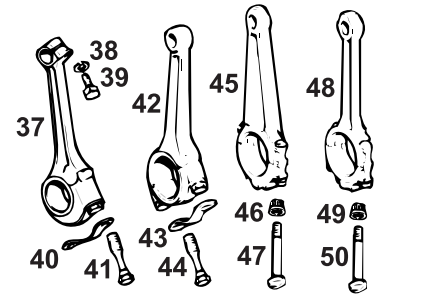
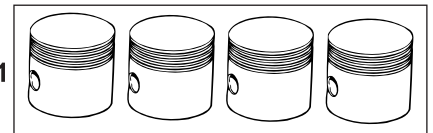
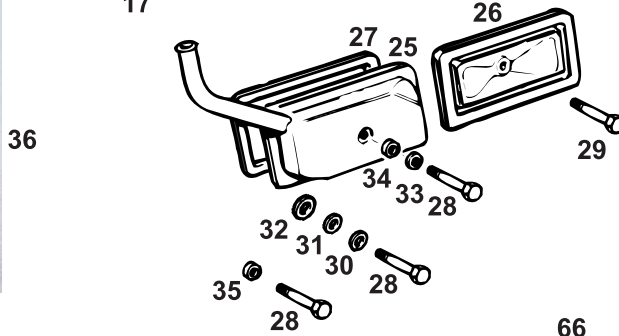
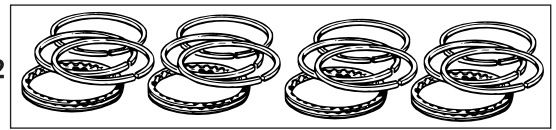
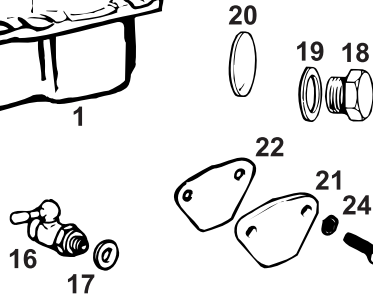
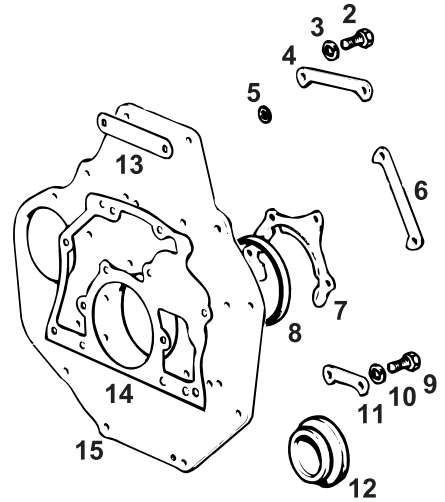
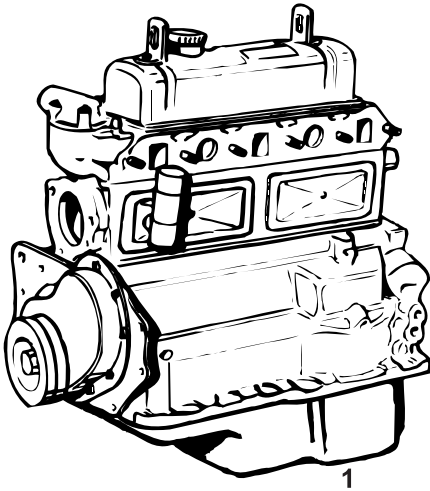
Cam lube guards against undue wear on a new cam and followers upon initial start up of a rebuilt engine.

62	11G241	Pushrod	8	} All 18G + engines
63	G042CF4	Cam follower set (engine set of 8)	1	
64	12H3167	Cam follower	8	
65	12H3357	Pushrod	8	
66	G042CF1	Cam follower set (engine set of 8)	1	} All 18V engines
67	2A13	Cam follower	8	
68	BHM1212	Bearing set - Camshaft	1	
69	12H1576	Gasket - Mounting plate	1	
70	12H1387	Mounting plate - Engine	1	} Chrome bumper Rubber bumper
70	12H3583	Mounting plate - Engine	1	
71	GHF332	Washer - Spring	3	
72	GHF120	Screw	3	
73	12H673	Thrust plate - Camshaft	1	

Telephone: 01954 230928 Fax: 01954 231923, Email: sales@mgocspares.co.uk
Buy Online at www.mgocspares.co.uk



MGB & GT 1800



© 2008 MGOC Spares Ltd

Telephone: 01954 230928 Fax: 01954 231923, Email: sales@mgocspares.co.uk



**MGB
& GT
1800**



74	GHF321	Washer - Shakeproof	3	
75	GHF117	Screw	3	
76	GHF332	Washer - Spring	3	
77	GHF120	Screw	3	
78	12H3292	Tensioner assembly - Timing chain	1	
79	GHF102	Bolt	2	
80	AEC340	Locktab	1	
81	11G203	Gear - Camshaft - Duplex	1] Use prior to CAM5333 and 3H2127
82	2H4905	Timing chain - Duplex	1	
83	CAM5333	Gear - Camshaft - Simplex	1] 18V583 H546 on
84	3H2127	Timing chain - Simplex	1	
85	G047	Duplex Vernier Timing Gear	1	

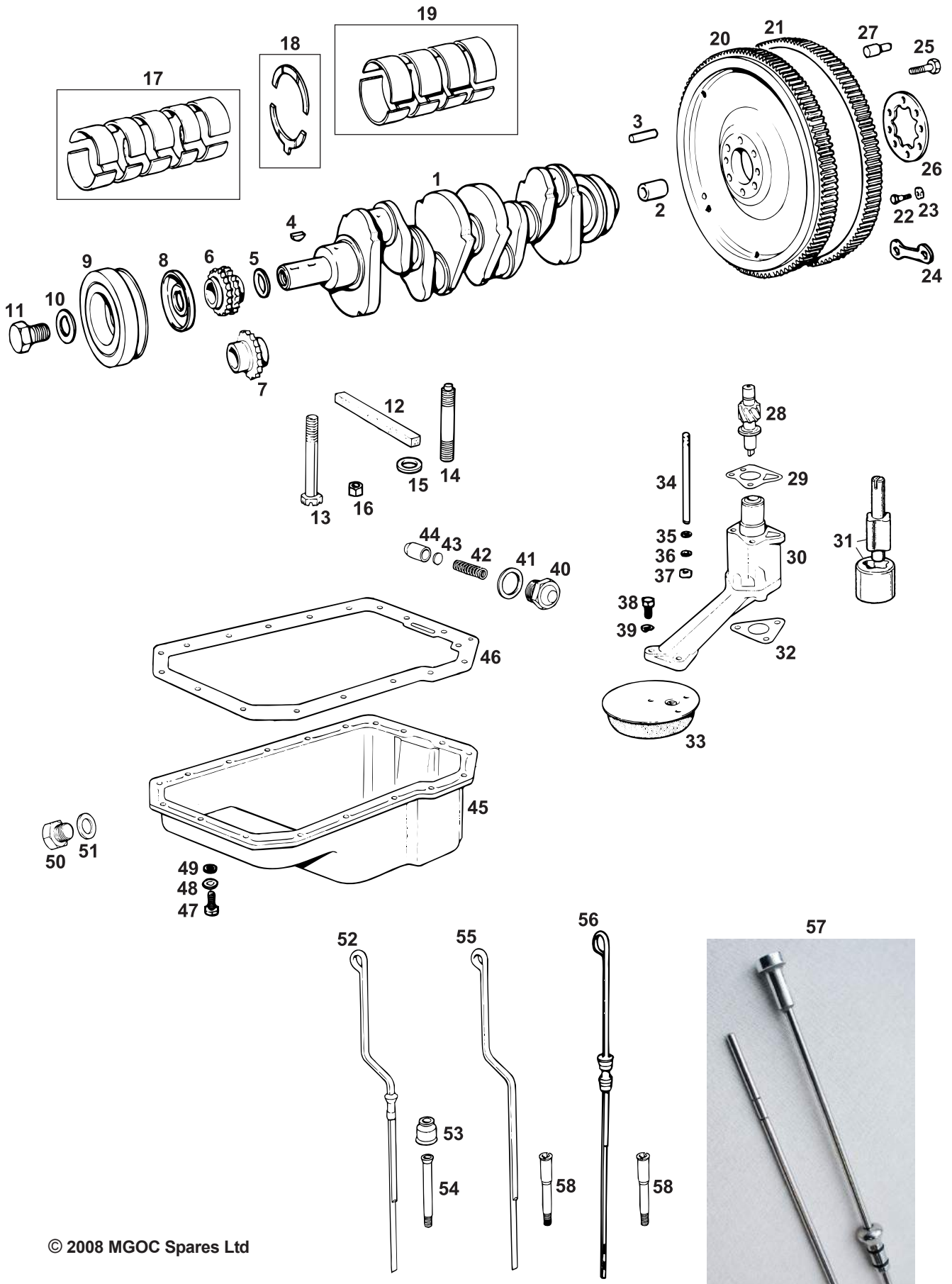
Vernier timing gears allow more accurate camshaft timing, in increments of one degree rather than to the nearest tooth on the gear. The 'duplex' double-row chain transmits accurate timing and has greater strength and wear resistance. Kit contains both gears, duplex chain, allen key and timing disc (protractor).

86	WKN505	Woodruff key - Camshaft	1	
87	2A759	Lock tab - Camshaft	1	
88	6K629	Nut - Camshaft	1	
89	12H1319	Gasket - Timing cover	1	
90	12H3317	Timing cover	1	18G + engines
90	12H3510	Timing cover	1	18V chrome bumper
90	CAM1393	Timing cover	1	18V rubber bumper
91	GHF117	Screw - Timing cover to bearing cap	2	
92	SH604031	Screw - Timing cover to plate	4	
93	2K5197	Washer - Oval	6	
94	GHF300	Washer - Plain	6	
95	GHF120	Screw - Timing cover to engine	4	
96	GHF332	Washer - Spring	4	
97	2K7440	Washer - Oval	4	
98	88G561	Oil seal - Timing cover	1	
99	A140	Wellseal jointing compound - 100ml	A/R	Non-hardening, non-flammable compound
100	A120	Blue Hylomar - 40g	A/R	
100	A121	Blue Hylomar - 100g	A/R	
101	A030	Engine paint - Black	A/R	
101	A031	Engine paint - Red	A/R	
101	A032	Engine paint - BMC Green	A/R	
101	A033	Engine paint - MGC Green	A/R	

**Telephone: 01954 230928 Fax: 01954 231923, Email: sales@mgocspares.co.uk
Buy Online at www.mgocspares.co.uk**



MGB
& GT
1800



© 2008 MGOC Spares Ltd

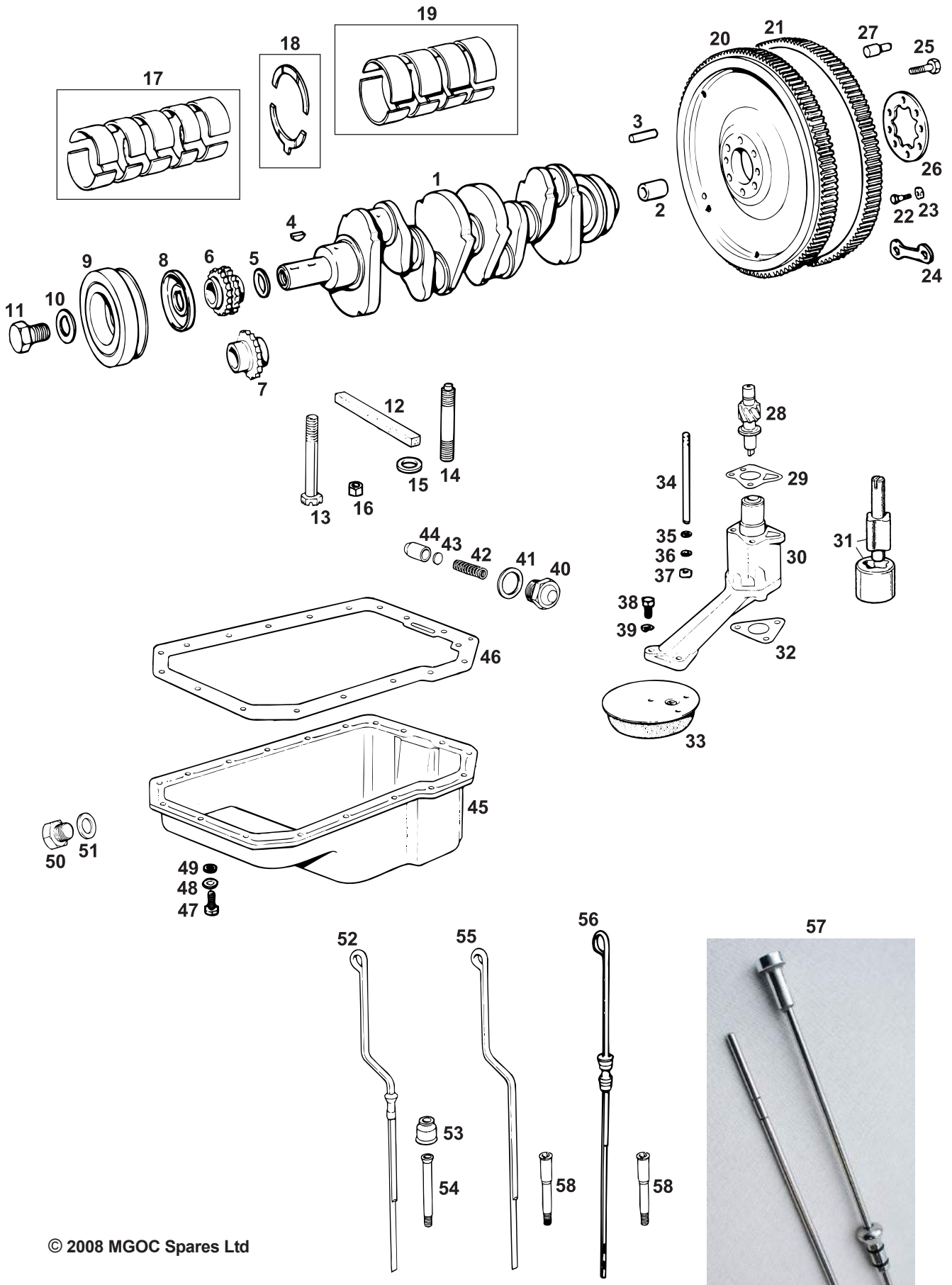
Telephone: 01954 230928 Fax: 01954 231923, Email: sales@mgocspares.co.uk

Parts Availability: Certain components within the Engine section (e.g. some automatic-specific components, sump pressings etc.) may not be currently available but are still included in the catalogue for reference purposes, or in anticipation that they may be reintroduced in future. These items may be identified by their absence or '0' pricing within our price look up program (please visit our website for price updates). In these circumstances customers should contact our spares team for advice - we will either provide an alternative or give second hand supplier sourcing information to MGOC members.

1	8G2749E	Crankshaft assembly - Reground	1	All 3 main bearing engines	
1	BHM1155	Crankshaft assembly - New	1	All 5 main bearing engines	
2	1G765	Spigot bush	1	3 main bearing engines	
2	12H1630	Spigot bush - 1 1/2 in long	1] Manual 5 main bearing engines - check length before ordering	
2	22H1416	Spigot bush - 1 in long	1		
2	12B1397	Spigot bush	1] Automatic 5 main bearing engines	
3	12H1301	Dowel - Crankshaft	2		
4	2H326	Woodruff key - Crankshaft	2] For Duplex timing gear For Simplex timing gear	
4	12H4301	Woodruff key - Crankshaft	2		
5	2K6633	Shim - Packing	A/R] Use prior to 12H4201 18V583 H546 on 18G/GA, up to 18GB 11850 18GB11851 on, 18GD/GG, 18V Very early 18G only; use with timing cover 12H3317 Later 18G, 18GA, GB, GD, early 18GG; use with timing cover 12H3317 Later 18GG, chrome bumper 18V; use with timing cover 12H3510 Rubber bumper 18V; use with timing cover CAM1393	
6	12A1553	Gear - Crankshaft - Duplex	1		
7	12H4201	Gear - Crankshaft - Simplex	1		
8	12H775	Oil thrower	1		
8	12H1740	Oil thrower	1		
9	12H773	Pulley - Crankshaft	1		
9	12H963	Pulley and damper - Crankshaft	1		
9	12H3515	Pulley and damper - Crankshaft	1		
9	12H3516	Pulley and damper - Crankshaft	1		
10	12A398	Lock washer - Crank pulley	1		
11	AEA312	Bolt - Crank pulley	1] Front/rear for 18G, GA. Front only for 18GB, GD, GG Front/rear for 18V. Rear only for 18GB, GD, GG	
12	12H1638	Cork seal - Main bearing cap	2/1		
12	12H1476B	Cork seal - Main bearing cap	2/1		
13	12B2356	Bolt - Main bearing cap	10		
14	51K1482	Stud - Main bearing cap	6/10		
15	ACA5521	Washer	6/10		
16	LNN208	Nut	6/10		
17	8G2389	Bearing Set - Main	1		
Discard 2 pairs of bearing shells if set to be fitted in 3 main bearing engine.] Qty increased for 5 main bearing engines
State size: std/+0.010/+0.020/+0.030/+0.040/+0.060					
18	BHM1295	Thrust washer set	1] State size: std/+0.003/+0.005 18G/GA; 3 main bearing. State size: std/+0.010/+0.020/+0.030/+0.040 5 main bearing. State size: std/+0.010/+0.020/+0.030/+0.040/+0.060 18G/GA 3 main bearing	
19	8G2207	Bearing set - Big end	1		
19	8G2664	Bearing set - Big end	1] 18GB; 5 main bearing, inertia starter motor, 3 synchro 18GD/GG, 18V; 5 main bearing, pre-engaged starter motor, 4 synchro Used on 12H713 and 12H1474 (inertia starter motor) Used on 12H2184 (pre-engaged starter motor)	
20	12H713E	Flywheel and ring gear - exchange	1		
20	12H1474E	Flywheel and ring gear - exchange	1		
20	12H2184E	Flywheel and ring gear - exchange	1		
21	1G2874	Ring gear	1		
21	12H2186	Ring gear	1		
20	12H2275	Drive plate	1		
	12H2187	Ring gear	1		
	SH605051	Screw	8		
	12H2194	Locktab	8		
	12H45	Screw	4		
	12H537	Locktab	4		
	12H219	Adaptor - Crankshaft to Driveplate	1		
	12H2192	Backplate - Driveplate to Locktab	1		
22	51K1022	Bolt - Crank to flywheel	6] Automatic	
23	FNZ506	Nut - Flywheel	6		
24	6K26	Lock washer - Flywheel	3] 18G/GA; 3 main bearing	
25	51K1809	Bolt - Flywheel	6		
26	12H1303	Locktab - Flywheel	1] 5 main bearing engines	
27	1G2984	Dowel - Clutch cover	3		
28	CAM1039	Spindle - Oil pump drive	1] 18G/GA; 3 main bearing	
29	88G420	Gasket - Pump to block	1		
30	88G296	Oil pump	1		
29	12H1018	Gasket - Pump to block	1		
30	GLP143	Oil pump	1		
31	GLP143X	Repair kit - Oil pump	1		
32	88G421	Gasket - Pump to strainer	1		
33	JAM2227	Strainer - Oil	1		
34	51K267	Stud - Oil pump	3		
35	GHF301	Washer	3		
36	GHF332	Washer - Spring	3		
37	GHF201	Nut	3		
38	SH604071	Screw - 7/8 in long	3/1] Qty reduced for 5 main bearing engines 5 main bearing engines	
38	SH604121	Screw - 1 1/2 in long	2		
39	GHF331	Washer - Spring	3		
40	12A1851	Cap - Oil release valve	1		
41	6K431B	Washer - Oil release cap	1		
42	1H756	Spring - Oil release valve	1		
43	AEH798	Packing piece	1		
44	12H865	Valve - Oil pressure relief	1		
45	12H395	Sump	1		
46	GEG503	Gasket - Sump	1		
45	12H3541	Sump	1		
46	GEG504	Gasket - Sump	1		



MGB
& GT
1800



© 2008 MGOC Spares Ltd

Telephone: 01954 230928 Fax: 01954 231923, Email: sales@mgocspares.co.uk



**MGB
& GT
1800**

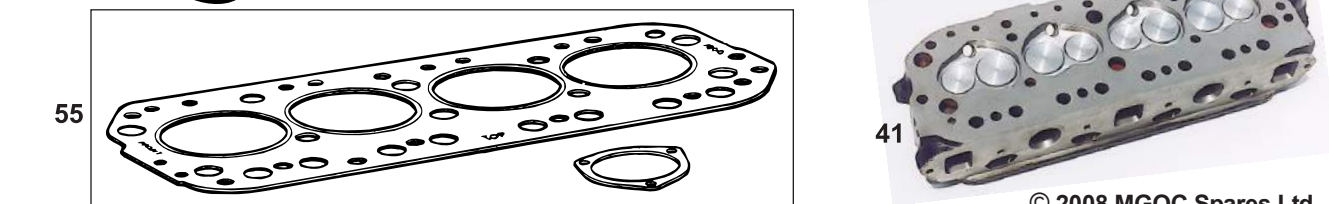
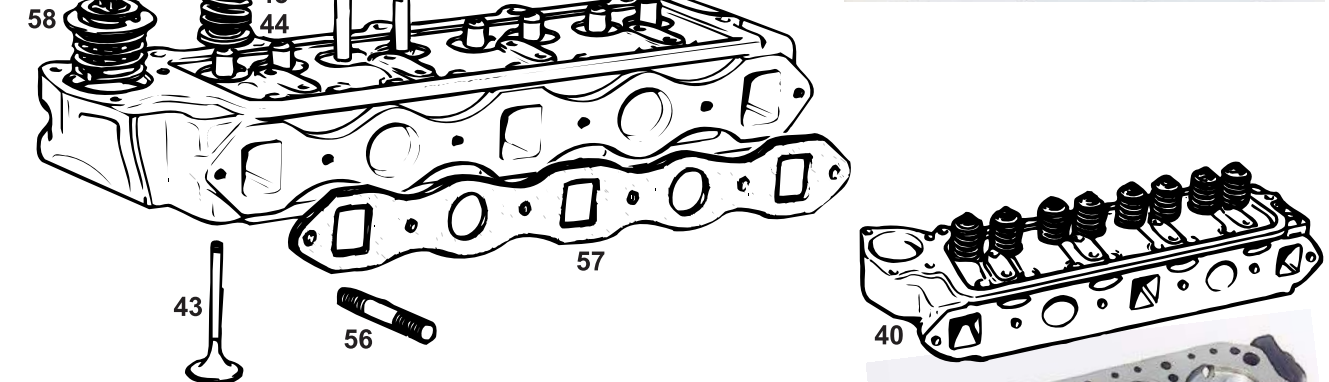
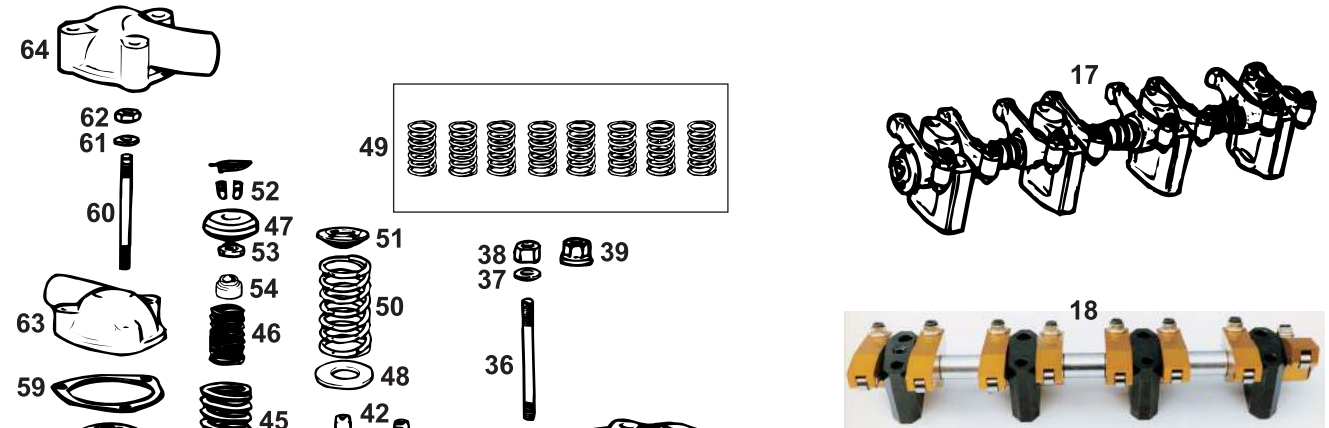
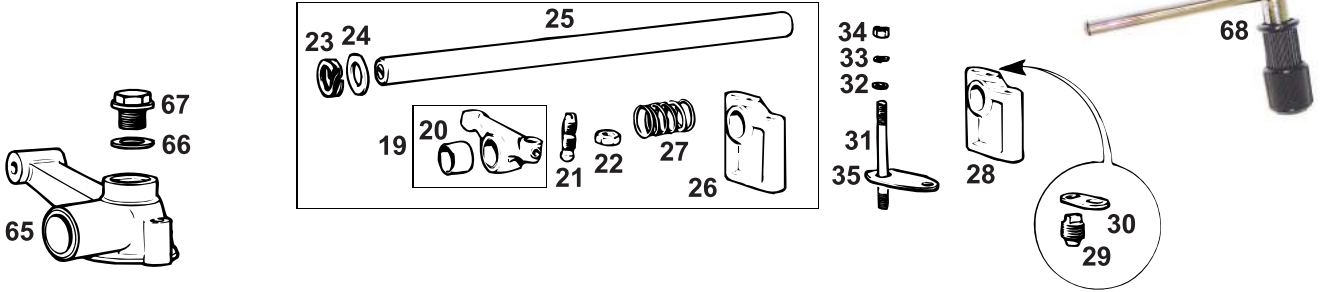
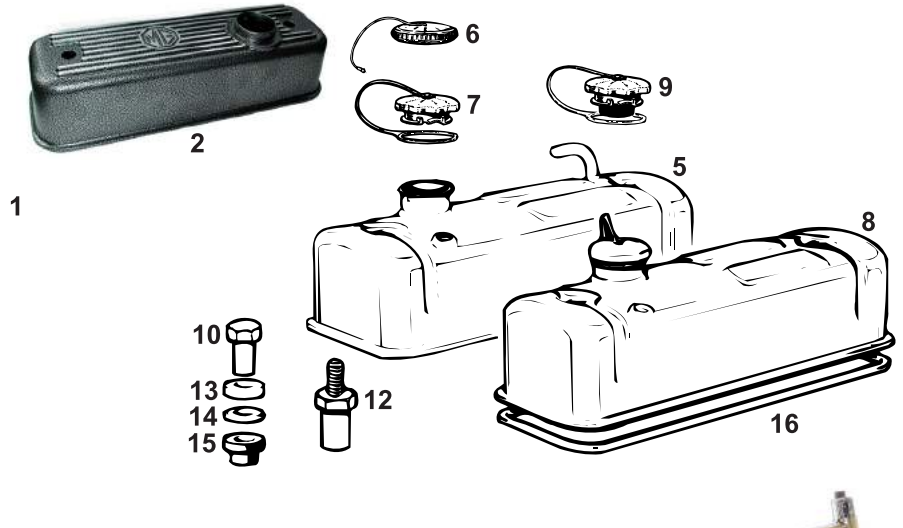
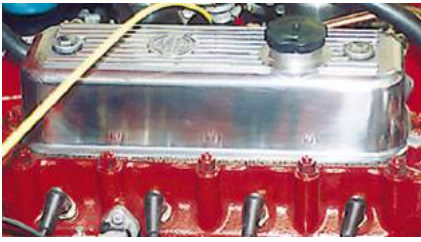


47	SH604041	Screw	19/18	} Qty reduced for 5 main bearing engines
48	GHF321	Washer - Shakeproof	19/18	
49	GHF300	Washer - Plain	18	
50	88G257	Drain plug - Sump	1	
51	6K638	Washer - Drain plug	1	
52	12H74	Dipstick	1	} 18G, GA, GB, GD
53	1B1735	Gaiter - Dipstick	1	
54	1B1063	Tube - Dipstick	1	
55	12H2964	Dipstick	1	18GG, 18V581/582/583 to 1972
56	12H3963	Dipstick	1	18V581/582/583 1973 on, 18V779/780/846/847
57	K039	Dipstick - Alloy	1	18V (1971 on)
58	12H3351	Tube - Dipstick	1	For 12H2964, 12H3963 and K039 dipsticks

**Telephone: 01954 230928 Fax: 01954 231923, Email: sales@mgocspares.co.uk
Buy Online at www.mgocspares.co.uk**



MGB
& GT
1800



© 2008 MGOC Spares Ltd

Telephone: 01954 230928 Fax: 01954 231923, Email: sales@mgocspares.co.uk



**MGB
& GT
1800**



1	K042	Alloy rocker cover - Polished 1	
2	K042X	Alloy rocker cover - Black crackle 1	
3	K045	Oil cap - Chrome 1] For K042 and K042X alloy rocker covers
4	K048	Fitting kit - Alloy rocker cover 1	
5	12H1838	Rocker cover (with breather) 1] 18G only
6	8G612	Oil cap (non-vented) - Metal 1	
7	12A402	Oil cap (non vented) - Black plastic 1] 18GA on
8	12H1836	Rocker cover (without breather) 1	
9	13H2296	Oil cap (vented) - Black plastic - Detailed 1	
9	GFE6003	Oil cap (vented) - Black plastic - Plain 1	
9	GFE6007	Oil cap (vented) - Red plastic 1	
10	2A150	Nut 2	18G, GA, GB
10	CAM6823	Nut - Chrome plated 2	18G, GA, GB. Alternative to 2A150; see also K048 fitting kit
11	K046	Nut - Knurled - Pair. 1	
12	12H2557	Nut with stud 2	18GD/GG, 18V
13	1B2925	Spacer 2	
13	CAM6921	Spacer - Chrome plated 2	Alternative to 1B2925; see also K048 fitting kit
14	1A2156	Cup washer 2	
14	12G679	Cup washer - Chrome plated 2	Alternative to 12G679; see also K048 fitting kit
15	12A1358	Bush - Rocker cover 2	
16	GUG33VC	Gasket - Rocker cover 1	
17	MRS1E	Rocker assembly - In Line - Exch 1	Originally 18G/GA/GB/GD/GG, 18V chrome bumper (see note below)
17	MRS2E	Rocker Assembly - Offset - Exch 1	Originally 18V rubber bumper (see note below)

In Line and Offset Rocker Feeds:

The two types of 18V cylinder head are identified by the position of the oil feed hole under the fourth rocker pedestal. Earlier 18V heads had a hole in line with the two studs securing the pedestal; later heads had an offset hole. While the modification is assumed to have taken place around the time of the introduction of the rubber bumper cars, factory rebuilt 18V engines (whether chrome or rubber bumper type) are supplied with either head and there is no documented engine number change point between the two. See diagram.



In Line



Offset

18	G050H	Roller Rockers - 1.625 - In Line 1
18	G050S	Roller Rockers - 1.426 - In Line 1
18	G051H	Roller Rockers - 1.625 - Offset 1
18	G051S	Roller Rockers - 1.426 - Offset 1

High efficiency and low friction, with the option of high lift: roller rockers are the ideal choice in a performance engine and enable precise setting of valve clearances. Ensure before fitting that the correct combination of valves, valve springs and camshaft are also being used.

19	12H3377	Rocker arm 8
20	1G2295	Bush - Rocker arm 8
21	12H3376	Adjusting screw - Rocker arm. 8
22	51K1178	Lock nut 8
23	1A2139	Washer- Double coil - Rocker shaft 2
24	2K6804	Washer- Plain - Rocker shaft 2
25	11G62	Rocker shaft 1
25	11G62T	Rocker shaft - Tufftrided 1
26	12H390	Pillar - Rocker shaft - Plain 3
27	6K871	Spring - Rocker spacing 3
28	12H389	Pillar - Centre oil feed 1
28	12H4737SR	Pillar - Off centre oil feed 1
29	2A258	Grub screw - Locating 1
30	2A259	Lock plate - Grub screw 1
31	51K881	Stud - Short - Rocker shaft 2
31	51K893	Stud - Long - Rocker shaft 2
32	GHF301	Washer - Plain 3
33	GHF332	Washer - Spring 4
34	GHF201	Nut 4
35	12H3960	Shim - Centre pillars 2
36	51K281	Stud - Cylinder head - Long 4
36	51K282	Stud - Cylinder head - Short 7
37	12H2178	Washer - Cylinder head 11
38	51K1193	Nut - Cylinder head 11
39	CAM4545	Nut - Cylinder head - Heavy duty 11
40	48G318LF	Cylinder head ass'y - Reconditioned 1
40	12H2708LF	Cylinder head ass'y - Reconditioned 1
40	12H2709LF	Cylinder head ass'y - New 1
40	12H4735LF	Cylinder head ass'y - Reconditioned 1
40	12H4736LF	Cylinder head ass'y - New 1
41	G570	Cylinder head ass'y - Stage II - Recon 1
41	G575	Cylinder head ass'y - Stage II - Recon 1
41	G576	Cylinder head ass'y - Stage II - New 1

Originally 18G/GA/GB/GD/GG, 18V chrome bumper (see note above)
Originally 18V rubber bumper (see note above)

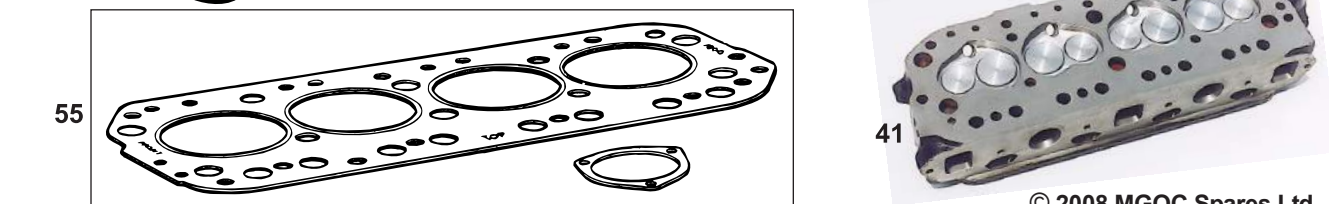
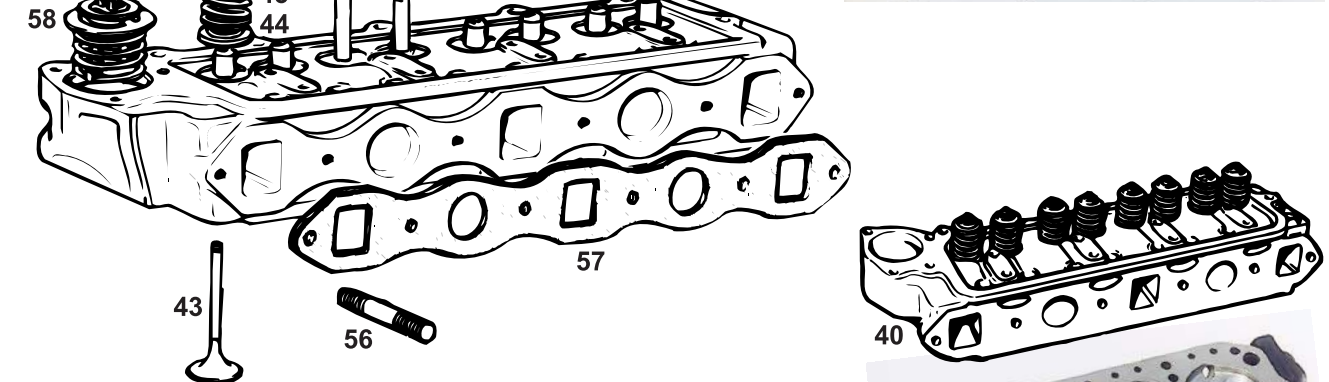
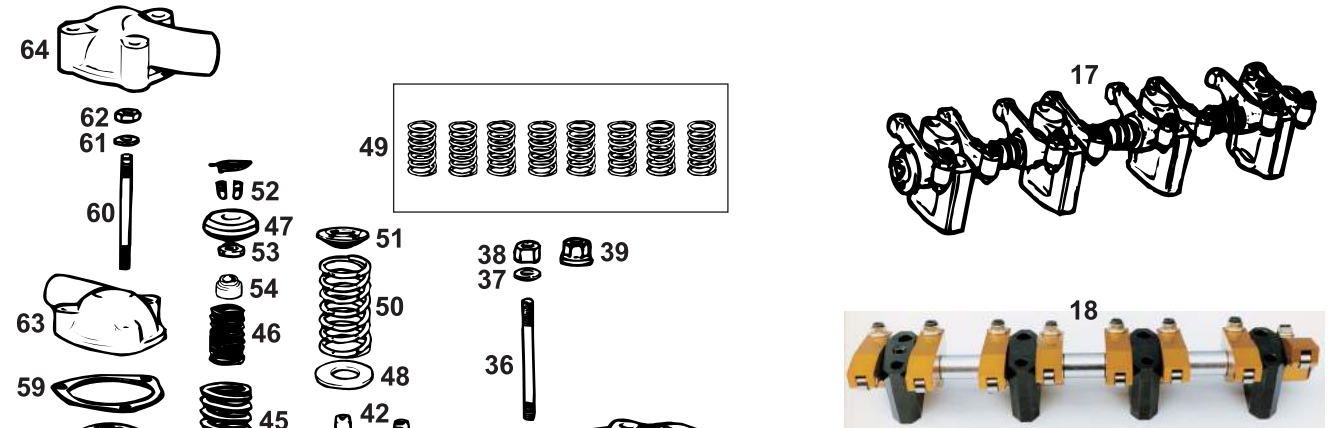
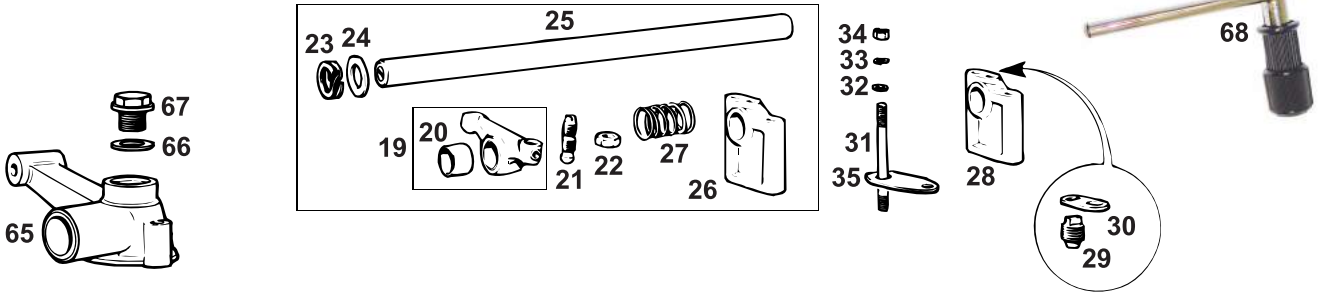
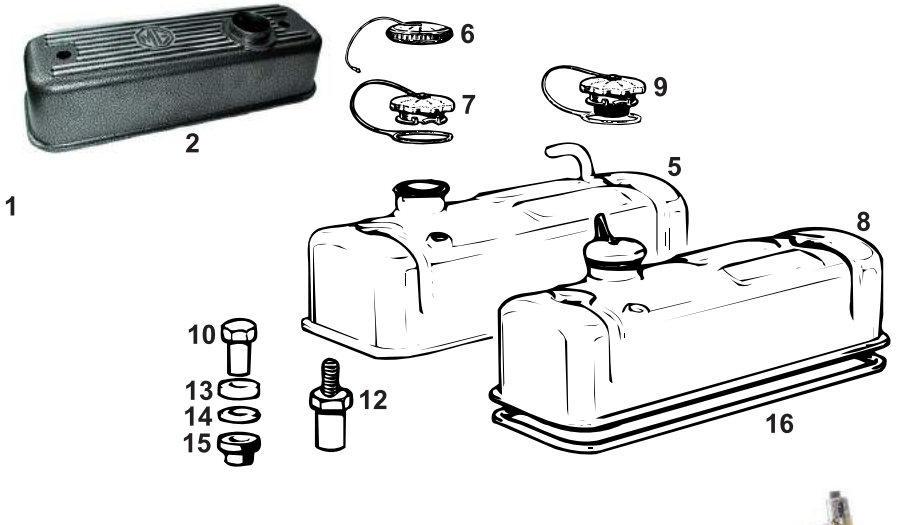
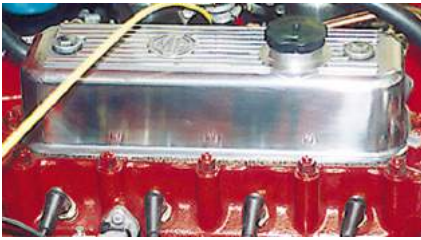
Flanged nut - does not require washer underneath
18G + engines - small inlet, in line feed, double springs
] 18V581 to 18V780 (c/bumper) - large inlet, in line feed, single springs
] 18V846/847 (rubber bumper) - small inlet, offset feed, single valve springs
Chrome bumper - in line feed
Rubber bumper - offset feed

Stage II heads are polished and ported to improve gas flow and are fitted with new valves, valve springs and bronze valve guides, together with hardened exhaust valve seats to enable running on either leaded or unleaded fuel. The work is carried out on the customer's own cylinder head, or alternatively a new Stage II head assembly may be purchased outright.

42	12B1339	Valve guide - Exhaust 4
42	12H2222	Valve guide - Inlet 4



MGB
& GT
1800



© 2008 MGOC Spares Ltd

Telephone: 01954 230928 Fax: 01954 231923, Email: sales@mgocspares.co.uk

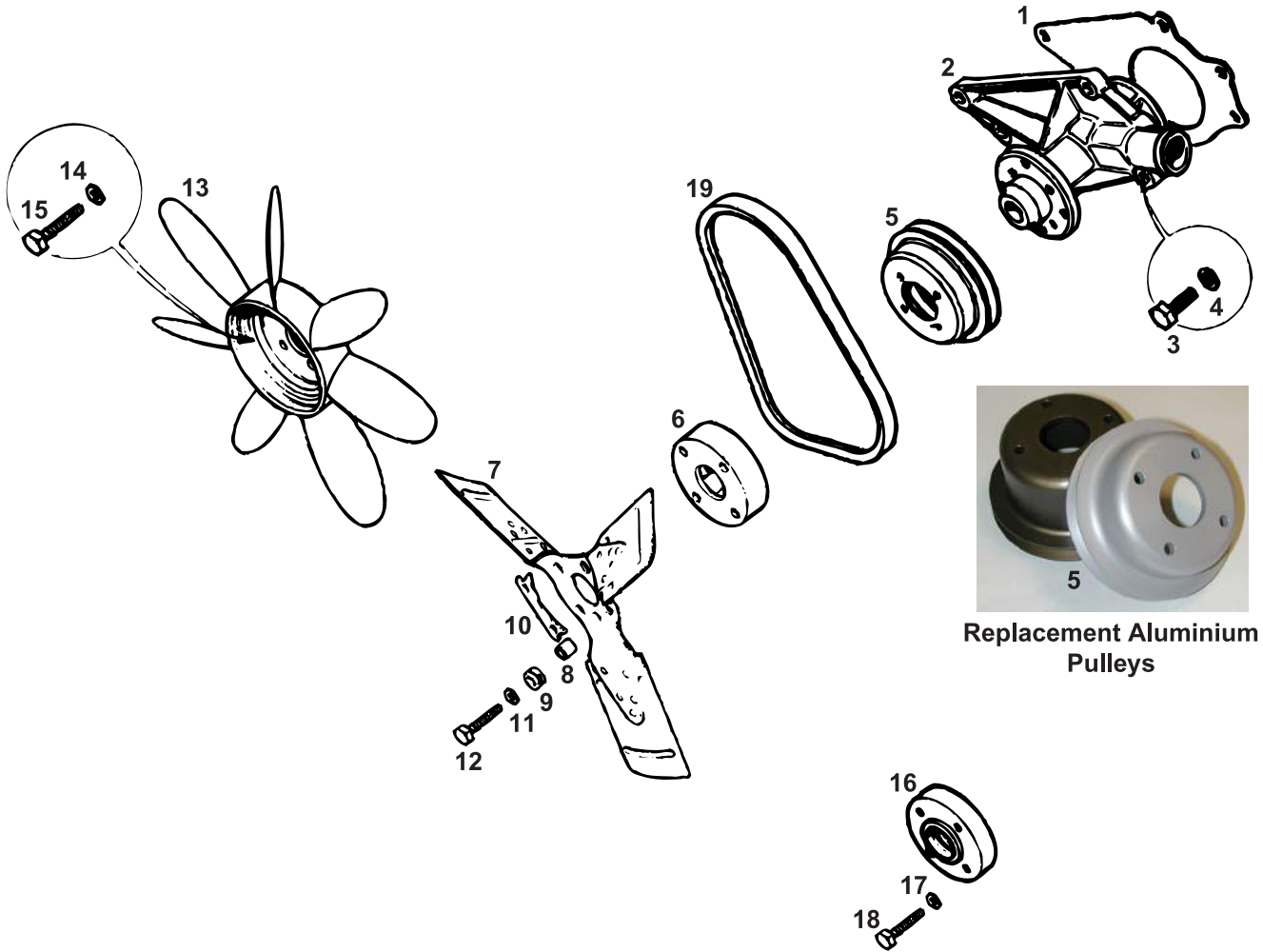


**MGB
& GT
1800**

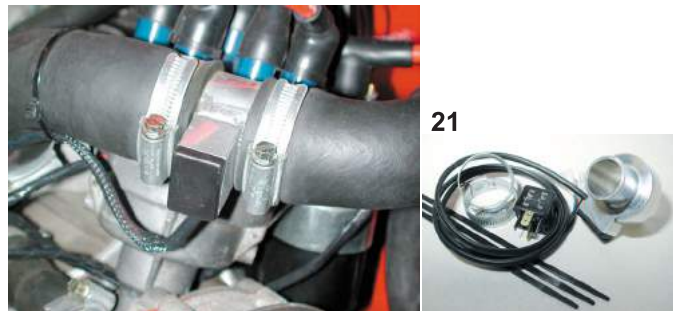


43	12H435	Inlet valve - 1.56 ins	4] Slot type cotter groove - fitted to 18G, GA, GB, early 18GD engines
43	12H436	Exhaust valve - 1.34 ins	4	
43	12H4211	Inlet valve - 1.56 ins	4] Circular cotter groove - fitted to late 18GD, 18GG (chrome bumper) also 18V846/847 on (all rubber bumper)
43	12H2520	Inlet valve - 1.62 ins	4	
43	CAM1717	Exhaust valve - 1.34 ins	4] Circular cotter groove - fitted to 18V581/582/583/779/780 (chrome bumper) Circular cotter groove - fitted to late 18GD, 18GG, 18V
44	1H1321	Seat - Valve spring	8	
45	12H1679	Valve spring - Outer	8] Double valve springs; 18G (-) series
46	12H176	Valve spring - Inner	8	
47	12H992	Valve cap - Slot Type Cotter Groove	8	
47	12H3309	Valve cap - Circular Cotter Groove	8	
48	12H3354	Seat - Valve spring	8] Single valve springs; 18V series
49	C042VS3	Valve spring set (8 springs)	1	
50	12H3352	Valve spring	8	
51	12H3353	Valve cap	8	
52	1K800	Cotter	16] Slot type cotter groove Circular cotter groove
52	AHU1709	Cotter	16	
53	AEK113	Valve packing	8] 18G (-) series (thick flange manifolds) 18V series (thin flange manifolds)
54	12B2104	Valve stem seal	8	
55	AJM1163	Head gasket set - Standard	1	
55	G521HS	Head gasket set - Performance	1	
55	AJM377	Gasket - Head - Standard	1	
56	FHS2513	Stud - Manifold to head - Outer	2	
56	FHS2515	Stud - Manifold to head - Inner	4	
56	FHS2513	Stud - Manifold to head	6	
57	GUG4013MG	Gasket - Manifold	1	
57	CAM1569B	Gasket - Manifold - USA	1	
58	GTS102	Thermostat - 74 degrees C - Hot	1] 18G, GA, GB (radiator with rear filler) 18GD to Sept. 1976 (radiator with centre filler) Sept. 1976 on (electric fan) Use with ARA2634; Sept. 1976 on (electric fan) Use with KTP9401; Sept. 1976 on (electric fan) Alternative to ARA2634; Sept. 1976 on (electric fan) Alternative to KTP9401; Sept. 1976 on (electric fan) Micrometer tappet adjuster for absolutely precise clearance
58	GTS104	Thermostat - 82 degrees C - Std	1	
58	GTS106	Thermostat - 88 degrees C - Cold	1	
59	GTG101	Gasket - Thermostat	1	
60	CHS2515	Stud - Thermostat	3	
61	GHF301	Washer - Plain	3	
62	GHF201	Nut	3	
63	12H797	Thermostat cover	1	
64	12H2556	Thermostat cover	1	
65	CAM1577	Thermostat cover	1	
66	TRS1418	'O' Ring - Rubber	1	
66	2A4205	'O' Ring - Cork	1	
67	KTP9401	Filler cap - Brass	1	
67	ARA2634	Filler cap - Plastic	1	
68	Z013	Tappet adjuster - Gunsons 'Clik-Adjust'	1	

**Telephone: 01954 230928 Fax: 01954 231923, Email: sales@mgocspares.co.uk
Buy Online at www.mgocspares.co.uk**



Replacement Aluminium Pulleys





**MGB
& GT
1800**



1	JAM2036	Gasket - Water pump	1	} Supplied with all water pumps as standard
2	GWP115	Water pump	1	
3	SH605101	Screw - Short	2	} 18G, GA (3 main bearing)
3	BH605141	Bolt - Long	2	
2	GWP114	Water pump	1	} 18GB, GD, GG (5 main bearing)
3	SH605101	Screw - Short	2	
3	BH605141	Bolt - Long	2	
2	GWP130	Water pump	1	
3	GHF103	Screw - Short	3	} 18V engines (see note below)
3	BH605141	Bolt - Long	1	

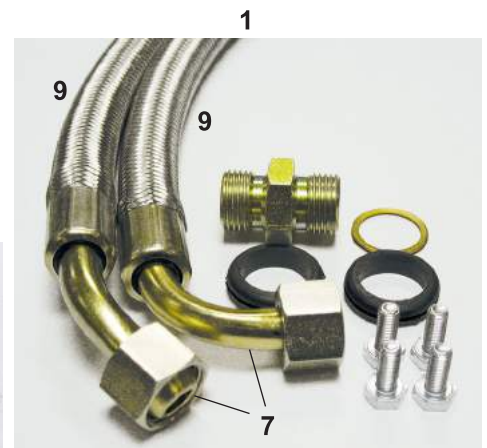
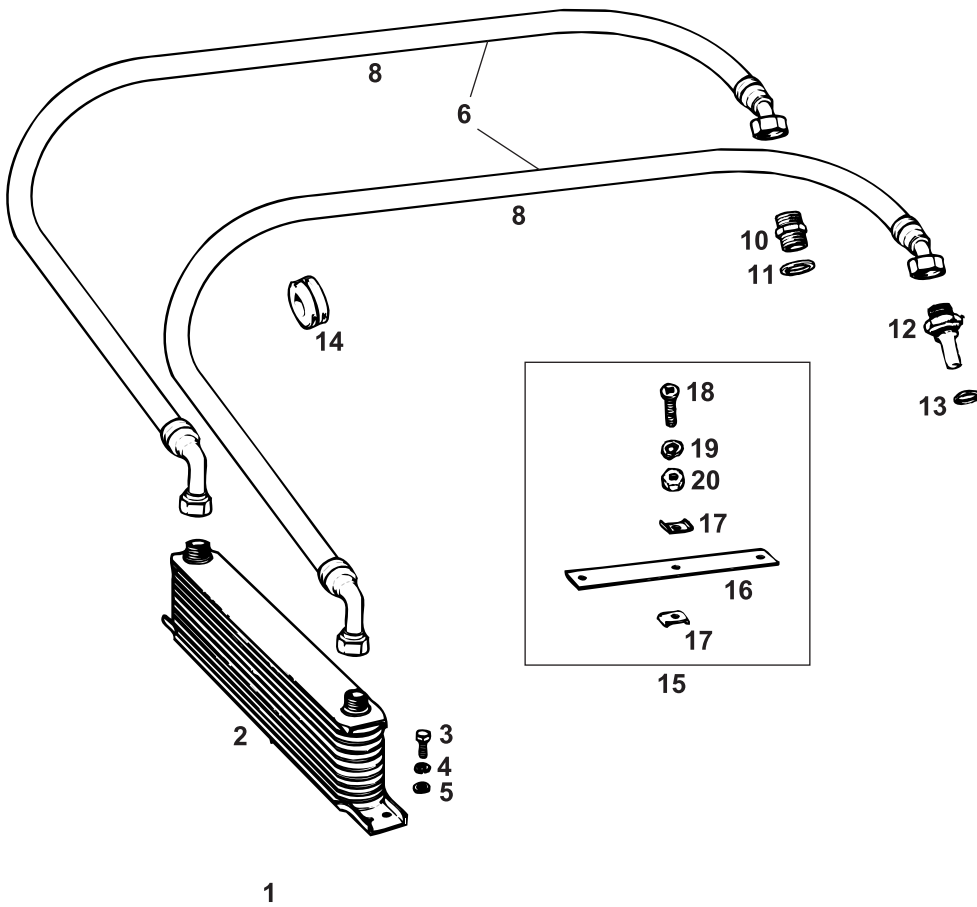
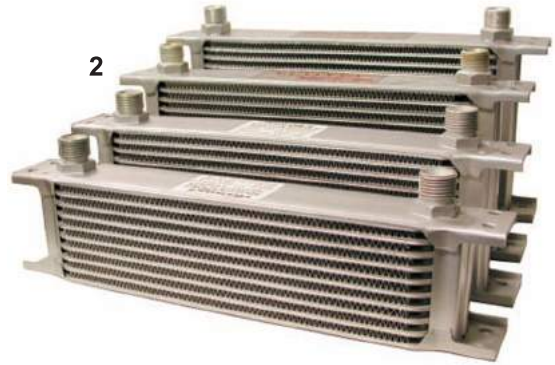
Note for chrome bumper 18V engines: GWP130 supercedes the original 18V chrome bumper water pump, GWP117, which was fitted with 2 x SH605111 (short screw) and 2 X BH605151 (long bolt). When fitting a GWP130 pump in place of a GWP117, 3 x GHF103 (short screw) and 1 x BH605141 (long bolt) must be used to fit it.

4	GHF332	Washer - Spring	4	} 18G (-) series engines
5	12B174	Pulley - Water pump - Steel original	1	
5	12B174A	Pulley - Water pump - Alloy replacement	1	} 18V581/582/583/779/780 (chrome bumper)
5	12H3696	Pulley - Water pump - Steel original	1	
5	12H3696A	Pulley - Water pump - Alloy replacement	1	} 18V846/847 (rubber bumper)
5	CHM56	Pulley - Water pump	1	
6	12H3910	Spacer - Fan to pulley	1	} 18V engines with 3 blade metal fan
7	12H1058	Fan - 3 blade metal	1	
8	12H1062	Distance tube - Fan	4	} All cars to GHN5 - 345390 and GHD5 - 345803
9	12H1060	Grommet - Fan blade	4	
10	12H1388	Locktab	2	
11	PWZ204	Washer - Plain	4	
12	GHF101	Screw - Fan blade without spacer	4	
12	SH604151	Screw - Fan blade with spacer	4	
13	12H4744	Fan - 7 blade plastic	1	
14	GHF331	Washer - Spring	4	
15	GHF117	Screw - Fan blade	4	
16	CAM1599	Clamping ring	1	
17	GHF331	Washer - Spring	4	} GHN5 - 345391 and GHD5 - 345804 to Sept. 1976
18	GHF117	Screw - Pulley	4	
19	GFB10900	Fan belt	1	} Chrome bumper
19	GFB10950	Fan belt	1	
20	G110	Kenlowe fan kit	1	} Rubber bumper
20	G116	Kenlowe fan kit	1	
20	G113	Kenlowe fan kit	1	} Chrome bumper
20	G113	Kenlowe fan kit	1	
				} Rubber bumper up to Sept. 1976
				} Rubber bumper Sept. 1976 on

Tailored specifically for MGB models the Kenlowe kit operates thermostatically - it cuts in only when required, allowing full warm-up of engine, increases engine power and reduces noise.

21	G118	Thermo-Switch Kit - Kenlowe fan	1	} Fits in top hose to activate fan when required.
22	G118FK	Fitting Kit - Thermo-switch (not illustrated)	1	

**Telephone: 01954 230928 Fax: 01954 231923, Email: sales@mgocspares.co.uk
Buy Online at www.mgocspares.co.uk**





**MGB
& GT
1800**



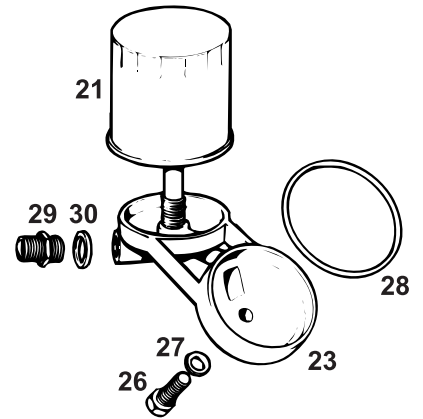
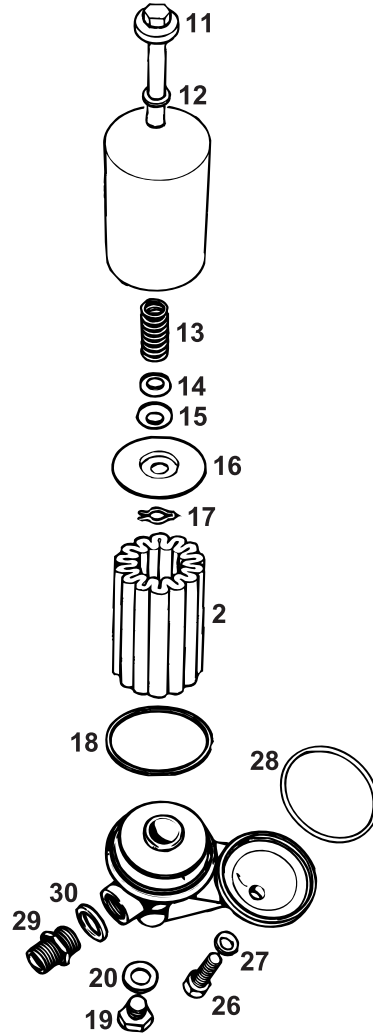
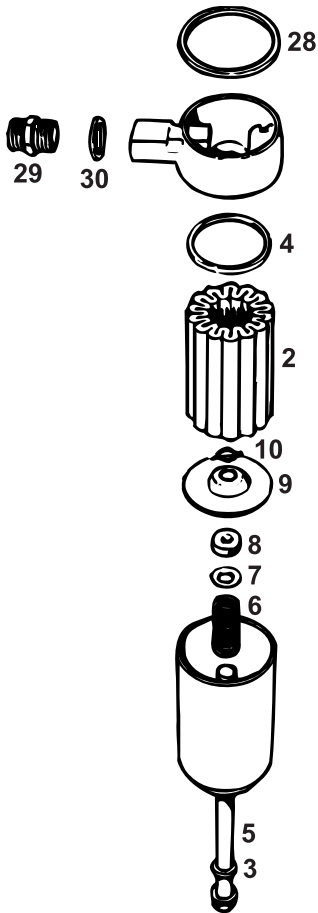
1	G180	Oil Cooler kit - Incl. rubber hoses	1	} Chrome bumper 3 synchro gearbox (1962-67)
1	G205	Oil Cooler kit - Incl. s/steel braided hoses	1	
1	G181	Oil Cooler kit - Incl. rubber hoses	1	} Chrome bumper 4 synchro gearbox (1968-74)
1	G206	Oil Cooler kit - Incl. s/steel braided hoses	1	
1	G182	Oil Cooler kit - Incl. rubber hoses	1	} Late rubber bumper (Sept. 1976 on)
1	G207	Oil Cooler kit - Incl. s/steel braided hoses	1	
For early rubber bumper cars, please make up kit by choosing from components below.				
2	ARA221	Oil cooler - 13 row	1	} Chrome bumper cars
2	ARO9807	Oil cooler - 10 row	1	
2	ARO9875	Oil cooler - 16 row	1	} Rubber bumper cars
2	ARO9888	Oil cooler - 19 row	1	
3	GHF117	Screw - Oil cooler fixing	4	} Alternative fitment - for tuned engines or very hot climates
4	GHF331	Washer - Spring	4	
5	GHF300	Washer - Plain	4	} Chrome bumper 3 synchro gearbox (1962-67)
6	G131	Oil cooler hoses - Pair - Rubber	1	
7	G151	Oil cooler hoses - Pair - S/steel braided	1	} Chrome bumper 4 synchro gearbox (1968-74)
8	AHH8192	Oil cooler hose - Rubber	2	
9	AHH8192S	Oil cooler hose - S/steel braided	2	} Chrome bumper 4 synchro gearbox (1968-74)
6	G132	Oil cooler hoses - Pair - Rubber	1	
7	G152	Oil cooler hoses - Pair - S/steel braided	1	} Chrome bumper 4 synchro gearbox (1968-74)
8	AHH8536	Oil cooler hose - To filter - Rubber	1	
9	AHH8536S	Oil cooler hose - To filter - S/steel braided	1	} Chrome bumper 4 synchro gearbox (1968-74)
8	AHH8537	Oil cooler hose - To block - Rubber	1	
9	AHH8537S	Oil cooler hose - To block - S/steel braided	1	} Chrome bumper 4 synchro gearbox (1968-74)
6	G133	Oil cooler hoses - Pair - Rubber	1	
7	G153	Oil cooler hoses - Pair - S/steel braided	1	} Early rubber bumper (1974 to Sept. 1976)
8	BHH1609	Oil cooler hose - To filter - Rubber	2	
9	BHH1609S	Oil cooler hose - To filter - S/steel braided	2	} Early rubber bumper (1974 to Sept. 1976)
8	BHH1610	Oil cooler hose - To block - Rubber	2	
9	BHH1610S	Oil cooler hose - To block - S/steel braided	2	} Early rubber bumper (1974 to Sept. 1976)
6	G134	Oil cooler hoses - Pair - Rubber	1	
7	G154	Oil cooler hoses - Pair - S/steel braided	1	} Late rubber bumper (Sept. 1976 on)
8	BHH1610	Oil cooler hose - Rubber	2	
9	BHH1610S	Oil cooler hose - S/steel braided	2	} Late rubber bumper (Sept. 1976 on)
8	BHH1809	Oil bypass pipe - filter to block	1	
10	AHH6701	Union - Adaptor - Filter	1	} Used when oil cooler is not fitted
11	6K431	Washer - Union	1	
12	1H922	Union - Adaptor - Block	1	} Used when oil cooler is not fitted
13	6K501	Washer - Union	1	
14	AHA8401	Grommet - Oil pipe	2	} Used when oil cooler is not fitted
15	AHH6866K	Strap kit	3/2	
16	AHH6865	Strap - Rubber	3/2	} Used when oil cooler is not fitted
17	AHH6866	Clamp plate - Rubber strap	6/4	
18	PMZ312	Screw	3/2	} Quantity reduced for 4 synchro cars
19	WL700101	Washer - Spring	3/2	
20	GHF206	Nut - Plain	3/2	} Quantity reduced for 4 synchro cars
21	G125	Oil Cooler Thermostat	1	

An oil cooler thermostat helps avoid overcooling of engine oil in cold weather. **Note:** It is necessary to cut the oil cooler pipes to fit the thermostat.

**Telephone: 01954 230928 Fax: 01954 231923, Email: sales@mgocspares.co.uk
Buy Online at www.mgocspares.co.uk**



MGB
& GT
1800



© 2008 MGOC Spares Ltd

Telephone: 01954 230928 Fax: 01954 231923, Email: sales@mgocspares.co.uk



**MGB
& GT
1800**



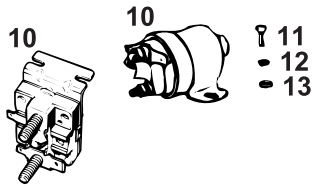
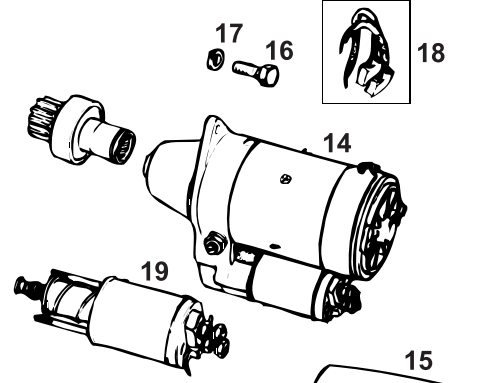
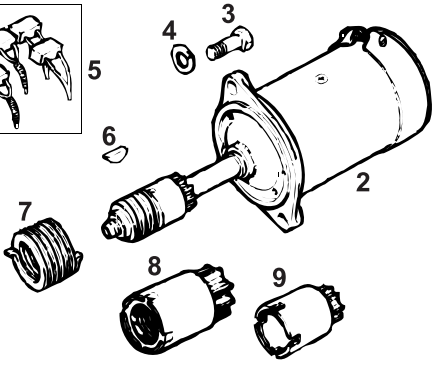
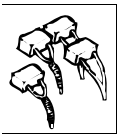
1 G127 Oil filter - Spin on conversion 1
 Converts from paper element filter to modern type spin-on disposable cannister filter. Cuts down on the mess associated with changing the filter on older MGBs, plus (if the conversion is fitted in place of an upright filter) it allows fitment of a non-return valve type disposable cannister. This prevents oil from draining from the filter when the engine is not running, which would otherwise leave the engine momentarily underlubricated upon start up. A really worthwhile, easily installed improvement for your MGB's engine. And, you can still simply unbolt the spin-on conversion and replace it with the old filter for concours competitions!

2	GFE102	Oil filter - Paper element 1		For Purolator and Tecalemit hanging and upright filters
3	17H1556	Sealing ring - Bolt to cannister 1	}	Purolator hanging filter
4	8G619	Sealing ring - Cannister to adaptor 1		
5	7H1965	Bolt - Centre 1	}	Tecalemit hanging filter
6	7H1764	Spring 1		
7	7H1969	Washer - Steel 1		
8	7H1968	Washer - Felt 1		
9	17H846	Pressure Plate 1		
10	7H1952	Circlip 1	}	Tecalemit upright filter
4	13H998	Sealing ring - Cannister to adaptor 1		
11	37H4505	Bolt - Centre 1		
12	37H4506	Washer - Seal 1		
13	7H1764	Spring 1		
14	7H1765	Washer - Steel 1		
15	7H1758	Washer - Felt 1		
16	17H846	Pressure - Plate 1		
17	7H1952	Circlip 1		
18	13H998	Sealing ring - Cannister to adaptor 1		
19	53K2853	Drain plug 1	}	Upright disposable cannister type
20	6K638	Washer - Drain plug 1		
21	GFE121	Oil filter - Cannister 1		
22	GFE121F	Oil filter - Fram (incl. non return valve) ... 1		
23	12H3273	Housing - Oil filter 1	}	Hanging disposable cannister type
24	GFE148	Oil filter - Cannister 1		
25	12H4405	Housing - Oil filter 1	}	Tecalemit upright filter and disposable cannister types
26	BH508241	Bolt - Adaptor to block 1		
27	3H693	Washer 1		
28	8G619	Sealing ring - To block 1	}	Low detergent classic multigrade engine oil Supplied with 1 pint jug and drum tap
29	AHH6701	Union -Adaptor - Filter Housing 1		
30	6K431B	Washer - Union 1		
31	G600	Castrol Classic XL 20w/50 - 4.5 Litres . A/R		
32	G610	Castrol Classic XL 20w/50 - 25 Litres . A/R	XL 20w/50, XL30, XXL40 and GP50 are all available in home workshop 25 litre drums, with quick-flow pouring tap and Castrol pouring jug. Free delivery to all UK Mainland customers when spending over £30.00.	
33	G605	Castrol Classic R40 SAE40 - 4.5 Litres A/R	}	High performance castor-based engine oil with distinctive aroma
34	2052/7065	Castrol Edge Sport 0w/40 - 4 Litres ... A/R		
	2052/7112	Castrol Edge Sport 0w/40 - 1 Litre ... A/R		
	2053/7065	Castrol Edge Sport 10w/60 - 4 Litres .. A/R		
	2053/7112	Castrol Edge Sport 10w/60 - 1 Litre .. A/R	}	Race-proven for highly stressed competition and modified older engines
	G657	Castrol Running In Oil - 5 Litres A/R		
35	G700 on	Castrol Classic Pouring Jug A/R	First fill for remanufactured engines Half, one or two pint sizes, or set of three	

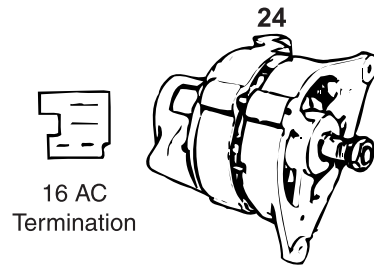
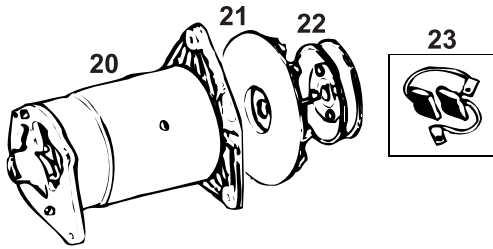
**Telephone: 01954 230928 Fax: 01954 231923, Email: sales@mgocspares.co.uk
 Buy Online at www.mgocspares.co.uk**



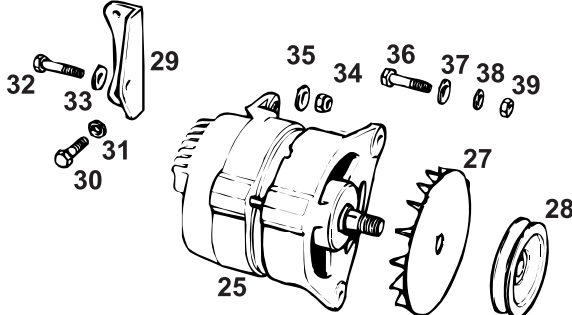
MGB & GT 1800



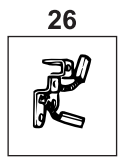
1



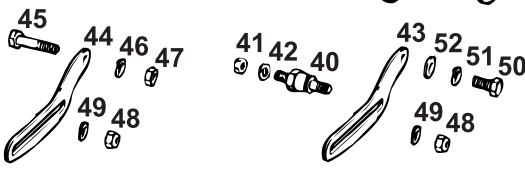
16 AC Termination



25



26



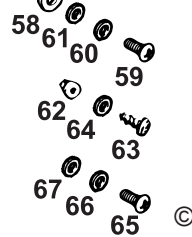
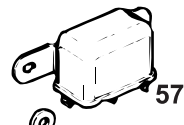
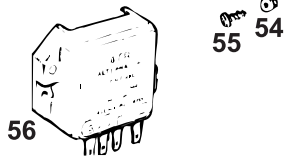
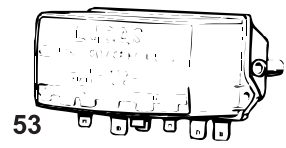
British Standard Termination



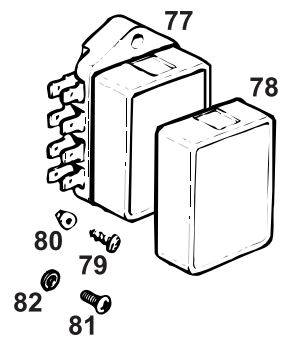
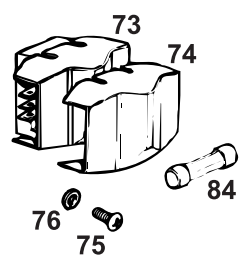
European Termination



BSH Termination



© 2008 MGOC Spares Ltd



Telephone: 01954 230928 Fax: 01954 231923, Email: sales@mgocspares.co.uk



**MGB
& GT
1800**



Starter Motors

- | | | | | |
|---|----------|---|---|--|
| 1 | GXE4418X | Starter motor - Inertia - Hi-Torque | 1 | GHN3, GHD3 (3 synchromesh) cars |
| 1 | 13H6130X | Starter motor - Pre-engaged - Hi-Torque | 1 | GHN4/5, GHD4/5 (4 synchromesh) cars, 1968-71 |
| 1 | GXE4441X | Starter motor - Pre-engaged - Hi-Torque | 1 | GHN4/5, GHD4/5 (4 synchromesh) cars, 1971 on |
- The Hi-Torque starter motor is reduction geared, delivering 200% more torque and using 50% less current. It cranks the engine faster and drains less battery power. Compact and lightweight, it is fitted with a direct acting solenoid.

- | | | | | |
|----|------------|---|---|---|
| 2 | GXE4418E | Starter motor - Reconditioned | 1 | GHN3, GHD3 (3 synchromesh) cars; inertia starter motor |
| 3 | 53K149 | Bolt - Starter motor | 2 | |
| 4 | GHF333 | Washer - Spring | 2 | |
| 5 | GSB103 | Brush kit - M418G model only | 1 | |
| 6 | WKN505 | Woodruff key - Drive assembly | 1 | |
| 7 | 27H7818 | Main spring | 1 | |
| 8 | 37H4289 | Pinion drive assembly | 1 | |
| 9 | 7H6940 | Pinion | 1 | |
| 10 | BCA4501 | Solenoid - Starter - Round | 1 | |
| 10 | 13H5952 | Solenoid - Starter - Square - Alternative | 1 | |
| 11 | PMZ308 | Screw | 2 | GHN4/5, GHD4/5 (4 synchromesh) cars; pre-engaged starter motors.
Note: M418G model is large and requires engine to be jacked before removal. 2M100 model is small and may be removed with engine in situ. |
| 12 | WL700101 | Washer - Spring | 2 | |
| 13 | GHF306 | Washer | 2 | |
| 14 | GXE4441 | Starter motor - New - 2M100 model | 1 | |
| 14 | 13H6130E | Starter motor - Recon - M418G - 1968-71 | 1 | |
| 14 | GXE4441VRE | Starter motor - Recon - 2M100 - 1971 on | 1 | |
| 15 | BHH790 | Cover - Starter motor | 1 | |
| 16 | BH506131 | Bolt - Starter motor - Top | 1 | |
| 16 | GHF105 | Bolt - Starter motor - Bottom | 1 | |
| 17 | GHF333 | Washer - Spring | 2 | |
| 18 | GSB103 | Brush kit - M418 G model only | 1 | |
| 18 | GSB108 | Brush kit - 2M100 model only | 1 | |
| 19 | AEU1649 | Solenoid - M418G model only | 1 | |
| 19 | NAF10001 | Solenoid - 2M100 model only | 1 | |

Dynamo

- | | | | |
|----|----------|--------------------|---|
| 20 | GXE3101E | Dynamo - Exch | 1 |
| 21 | 17D11 | Fan - Dynamo | 1 |
| 22 | 12H1178 | Pulley | 1 |
| 23 | GGB102 | Brush kit - Dynamo | 1 |

Alternators

- | | | | | |
|----|-----------|----------------------------|---|-------------------|
| 24 | 37H2245RE | Alternator - Reconditioned | 1 | 16 AC (1968 only) |
|----|-----------|----------------------------|---|-------------------|
- Note:** 16 AC alternators were originally fitted to GHN4, GHD4 cars with 18GD engines. This finished at chassis no 158230 after which a 16 ACR alternator, with British Standard termination, was fitted. The British Standard termination is obsolete and the wiring will have to be converted to European termination to match the replacement alternator. A special kit (GEU250) is available which contains the necessary wiring connectors and moulded plug. This kit can also be used to convert the 16AC alternator to accept ACR alternators (a photocopy of the conversion details is available on request, this also covers converting from a dynamo to an alternator). The kit also enables the fitment of the 18 ACR (European) in place of the 18 ACR (BSH).

- | | | | | |
|----|---------|------------------------------|---|--|
| 25 | GEU216 | Alternator - Hi-Output - New | 1 | 16, 17 ACR chrome bumper (Euro termination) increased 65amp output |
| 25 | GEU216E | Alternator - Reconditioned | 1 | 16, 17 ACR chrome bumper (Euro termination) |
| 25 | GEU213E | Alternator - Reconditioned | 1 | 18 ACR early rubber bumper (BSH termination) |
| 25 | GEU206 | Alternator - Hi-Output - New | 1 | 18 ACR late rubber bumper (Euro termination) increased output |
| 25 | GEU206E | Alternator - Reconditioned | 1 | 18 ACR late rubber bumper (Euro termination) |
| 26 | GGB504 | Brush kit - Alternator | 1 | 16, 17, 18 ACR |
| 27 | C37222 | Fan - Alternator | 1 | For AC and ACR alternators |
| 28 | 12G1054 | Pulley - Alternator | 1 | For AC and ACR alternators; up to Sept. 1976 |
| 28 | BAU1461 | Pulley - Alternator | 1 | For ACR alternators; Sept. 1976 on |

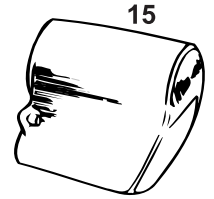
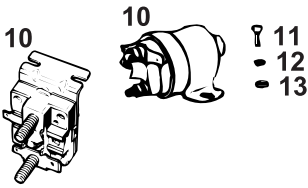
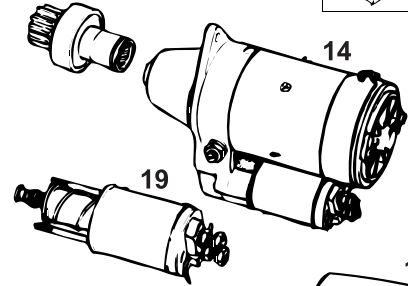
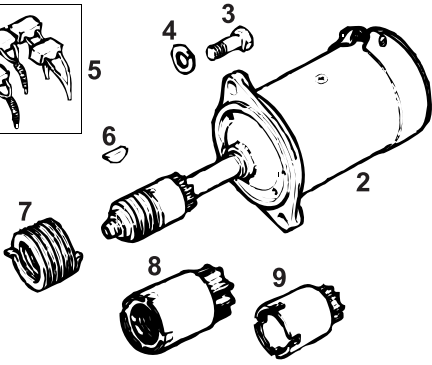
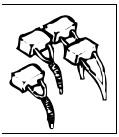
Dynamo and Alternator Fixings

- | | | | | |
|----|----------|---------------------------|---|---|
| 29 | 12A526 | Bracket - Dynamo | 1 | 18G, GA, GB |
| 29 | 12H2517 | Bracket - Alternator | 1 | 18GD, GG, 18V |
| 30 | GHF120 | Screw - Bracket to engine | 2 | |
| 31 | GHF332 | Washer - Spring | 2 | |
| 32 | SH605091 | Screw - Rear bracket | 1 | Dynamo fitment |
| 32 | GHF104 | Bolt - Rear bracket | 1 | Alternator fitment |
| 33 | GHF301 | Washer | 1 | |
| 34 | GHF201 | Nut | 1 | Alternative to self locking nut. Use with spring washer |
| 34 | GHF222 | Nut - Self locking | 1 | Alternative to plain nut and spring washer |
| 35 | GHF332 | Washer - Spring | 1 | |
| 36 | BH605131 | Bolt | 1 | |
| 37 | GHF301 | Washer | 1 | |
| 38 | GHF332 | Washer - Spring | 1 | |
| 39 | GHF201 | Nut | 1 | Alternative to self locking nut. Use with spring washer |
| 39 | GHF222 | Nut - Self locking | 1 | Alternative to plain nut and spring washer |
| 40 | 2A128 | Pillar - Adjusting | 1 | |
| 41 | GHF202 | Nut | 1 | Dynamo and alternator to Sept. 1976 |
| 42 | GHF333 | Washer - Spring | 1 | |
| 43 | 12H67 | Adjusting link | 1 | Sept. 1976 on |
| 44 | 12G2627 | Adjusting link | 1 | |
| 45 | SH606111 | Screw | 1 | |
| 46 | GHF333 | Washer - Spring | 1 | |
| 47 | GHF202 | Nut | 1 | |

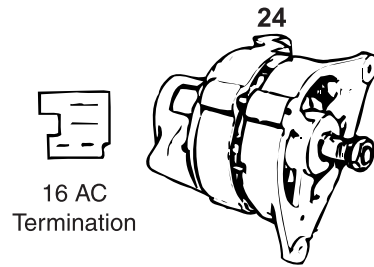
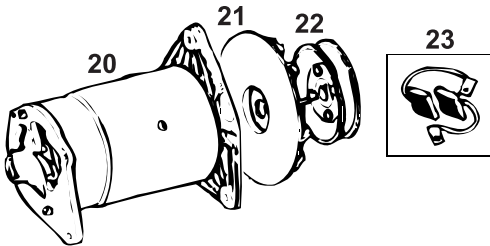
Telephone: 01954 230928 Fax: 01954 231923, Email: sales@mgocspares.co.uk
Buy Online at www.mgocspares.co.uk



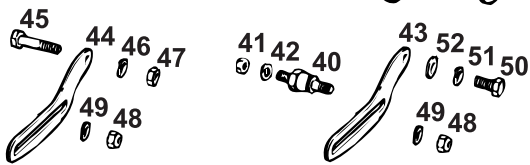
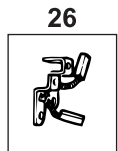
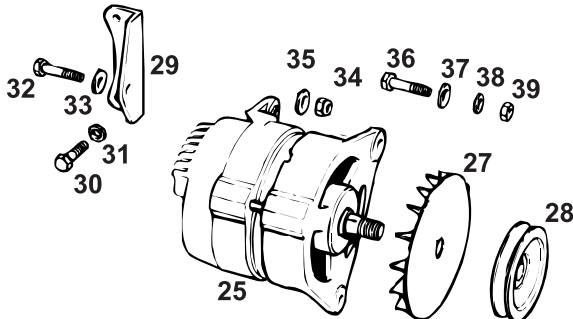
MGB & GT 1800



1



16 AC Termination



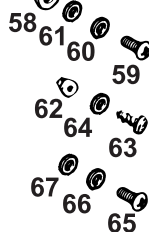
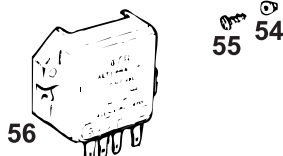
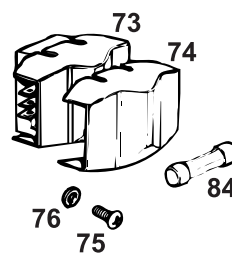
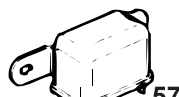
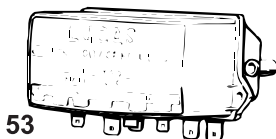
British Standard Termination



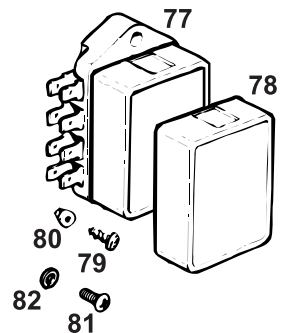
European Termination



BSH Termination



© 2008 MGOC Spares Ltd



Telephone: 01954 230928 Fax: 01954 231923, Email: sales@mgocspares.co.uk



**MGB
& GT
1800**



48	GHF223	Nut - Self locking	1	
49	GHF302	Washer	1	
50	SH505051	Screw - Dynamo to link	1	Imperial thread (UNC)
50	SH108181	Screw - Alternator to link	1	Metric thread
51	GHF332	Washer - Spring	1	
52	GHF301	Washer	1	

Regulators, Relays and Fuse Boxes

53	GEU6605	Regulator - RB340 type	1	For dynamo fitted cars
54	GHF1030	Nut - Plastic	2	
55	AB608101	Screw - Regulator to inner wing	2	
56	BHA4789	Regulator - 4TR type	1	For 16 AC alternator fitted cars

Note that no regulator is present in the engine bay on ACR alternator fitted cars (ACR types have an internal regulator).

57	142169	Relay - Metal can	A/R	See application note below
----	--------	-------------------	-----	----------------------------

The 142169 metal-cased relay is fitted in overdrive circuits on 3 synchro models and starter motor circuits on 4 synchro models up to GHN5 - 395331 and GHD5 - 394780. If necessary, it may be replaced by the CHM68 black plastic relay detailed later on this page.

58	AHH6751	Spacer	1	Overdrive relay to bulkhead - GHN3, GHD3 only
59	PMZ310	Screw	2	
60	WL700101	Washer - Spring	2	
61	GHF306	Washer	2	Starter relay to inner wing
62	GHF1030	Nut - Plastic	2	
63	GHF423	Screw	2	Rubber bumper models with metal can relay
64	GHF306	Washer	2	
65	PMZ308	Screw	2/4	
66	WL700101	Washer - Spring	2/4	
67	GHF306	Washer	2/4	See application note below
68	CHM68	Relay - Plastic can	A/R	

The CHM68 black plastic-cased relay is fitted in starter motor circuits from GHN5 - 394332 and GHD5 - 394781 onwards and in ignition circuits from September 1976 on. On earlier cars, it may also be used to replace the metal-cased relay 142169 in overdrive or starter motor circuits.

69	PMZ308	Screw - Machine thread	A/R	Black plastic-cased relay, 1975-79
70	WL700101	Washer - Spring	A/R	
71	GHF425	Screw - Self tapping	A/R	Black plastic-cased relay, 1979 on
72	GHF1030	Nut - Plastic	A/R	
73	606253	Fusebox - 2 fuse type	1	GHN3/4, GHD3/4 cars
74	505158	Cover - Fusebox	1	
75	PMZ312	Screw	1	
76	WL700101	Washer - Spring	1	GHN5, GHD5 cars
77	37H4727	Fusebox - 4 fuse type	1	
78	37H4727P	Cover - Fusebox	1	
79	AB610081	Screw	2	Chrome bumper. Rubber bumper GHN5 - 456251 and GHD5 - 455381 on
80	GHF1030	Nut - Plastic	2	
81	PMZ316	Screw	2	Rubber bumper up to GHN5 - 456250 and GHD5 - 455380
82	WL700101	Washer - Spring	2	
83	UKC4447	Fuse holder - In line	A/R	
84	GFS3010S	Fuse - 10 amp	A/R	
84	GFS3015	Fuse - 15 amp	A/R	
84	GFS30120	Fuse - 20 amp	A/R	
84	GFS3035	Fuse - 35 amp	A/R	

**Telephone: 01954 230928 Fax: 01954 231923, Email: sales@mgocspares.co.uk
Buy Online at www.mgocspares.co.uk**

© 2008 MGOC Spares Ltd





1	GCL101	Coil - Screw in HT lead	1	} 18G, GA, GB. Note: may have been converted to push-in type coil
2	105036	Nut - HT lead to coil	1	
3	GCL110	Coil - Push in HT lead	1	} 18GD, GG, 18V chrome bumper
3	GCL111	Coil - Ballast type	1	
4	GCL105	Coil - Lucas Sports	1	} 18V rubber bumper
5	G283	Coil - Magnetronic - MS3 - Blue	1	
6	G284	Coil - Optronic - MS4 - Silver	1	} Chrome bumper; not suitable to replace ballasted coil on rubber bumper cars
7	SH 604051	Screw - Coil mounting	2	
8	PWZ204	Washer	2	} 3 synchro cars (bracket on engine mounting)
9	GHF331	Washer - Spring	2	
10	GHF200	Nut	2	} 4 synchro cars (to RH inner wing)
11	GHF200	Nut - Coil mounting	2	
12	GHF331	Washer - Spring	2	
13	PWZ204	Washer	2	
14	8G727	Cover - coil - Rubber	1	
15	K019	Custom coil cover - Stainless steel	1	
16	G100X	123 Electronic Ignition	1	} With vacuum advance and top entry cap; negative earth
16	G100Y	123 Electronic Ignition	1	
16	G100AP	123 Electronic Ignition	1	} Without vacuum advance and top entry cap; negative earth

The 123 Ignition is a high-tech ignition system concealed in distributor-like case. It incorporates the latest Hall-effect technology with a microprocessor that adjusts dwell angle throughout the rev range for peak energy and performance. Say goodbye to all the moving parts in your conventional distributor! Please note that 123 Ignition is now available for negative or positive earth vehicles.

17	G078/2	Lumenition high performance ignition kit	1	Chrome bumper (25D distributor).
17	G078/3	Lumenition high performance ignition kit	1	Rubber bumper (45D distributor).

Incorporating the features and advantages of Optronic ignition, this kit also includes a high performance coil and matching high output amplifier. Suitable for fast road or competition cars. For positive earth vehicles, contact for special installation notes.

18	G273	Lumenition Magnetronic electronic ignition	1	Chrome bumper (25D distributor)
18	G277	Lumenition Magnetronic electronic ignition	1	Rubber bumper (45D distributor)

Entry level electronic ignition kit. Simplicity itself - only two wires to connect and kit is concealed within the distributor, leaving under-bonnet appearance unchanged. Use of G283 Magnetronic coil also recommended. For negative earth vehicles only.

19	G070/2	Lumenition Optronic electronic ignition	1	Chrome bumper (25D distributor)
19	G070/3	Lumenition Optronic electronic ignition	1	Rubber bumper (45D distributor)

The Lumenition Optronic advanced electronic ignition kit is suitable for positive or negative earth cars and requires the use of a G284 Optronic coil. Specifically designed for MG cars with mechanical distributors containing contact breaker 'points', its great advantage is in having no wearing parts - once set, your MG's distributor will remain permanently in tune without the need for servicing. Optronic ignition gives you a better starting, more efficiently (and economically) running MG.

20	G070C	Amplifier fitting bracket - Optronic	1	Fits to coil mounting
21	G079	Rev limiter	1	Prevents over-revving beyond pre-set limit

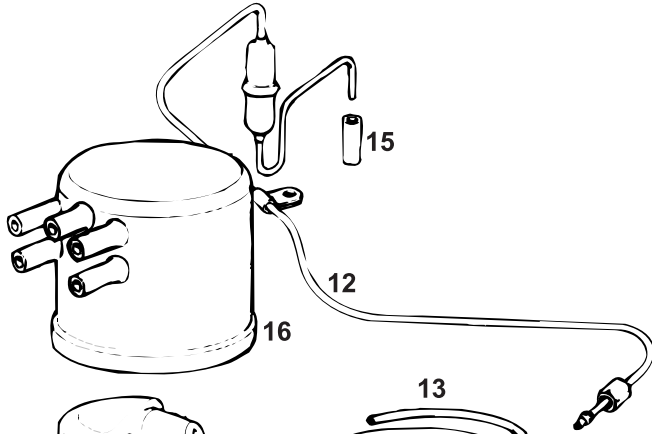
22	GSP160	Spark plug - Champion N5C Type	4	} With gold palladium electrodes for premium performance For tuned long-stroke engines. Helps prevent run-on
22	GSP4362	Spark plug - Standard	4	
22	BP6ES	Spark plug - NGK type	4	
23	BP6EV	Spark plug - NGK Gold	4	
23	G095	Spark plug - 'Softer'	4	
24	GHT102	HT lead set- Push in coil lead (remove connector for screw in coil)	1	} Chrome bumper cars with side entry distributor cap
25	AAA5981M	HT lead - Copper core - Per metre	A/R	
26	3H1422	Cap - Spark plug - Suppressed	A/R	
27	GCL1110	Termination kit - HT lead	A/R	
28	1G2673	Spacer - Leads - 4 Way	1	} Chrome bumper cars with top entry distributor cap
29	CRST255	Decal kit - HT lead numbers	1	
30	GHT106	HT lead set	1	} Chrome bumper cars with top entry distributor cap
31	C9928A	Ring - Rubber	1	
32	GHT184	HT lead set	1	} Rubber bumper cars with top entry distributor cap
33	G109	HT lead set - Silicon	1	
34	G785	HT lead set - Lumenition - Blue	1	} Chrome bumper cars with top entry distributor cap
35	G085	HT lead set - Lumenition - Red	1	
34	G786	HT lead set - Lumenition - Blue	1	
35	G086	HT lead set - Lumenition - Red	1	

Lumenition pure silicon leads are of the best quality, for maximum spark and starting.

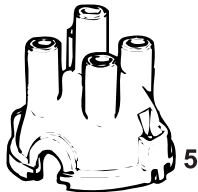
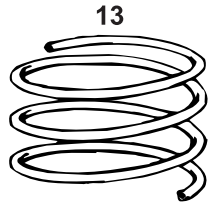
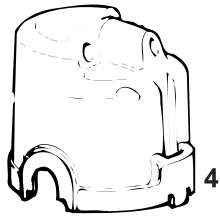
**Telephone: 01954 230928 Fax: 01954 231923, Email: sales@mgocspares.co.uk
Buy Online at www.mgocspares.co.uk**



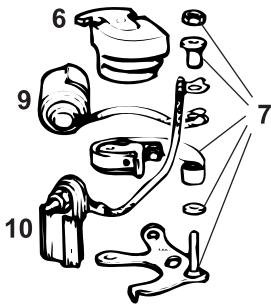
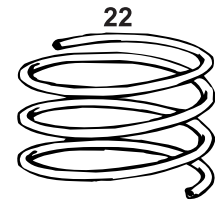
MGB
& GT
1800



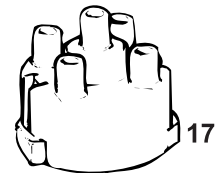
3



8



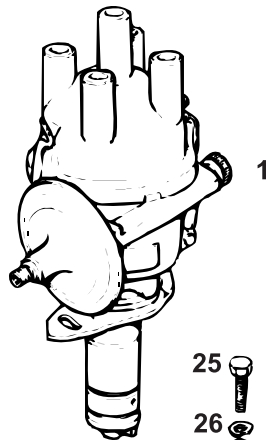
30



17



18



25

26

27



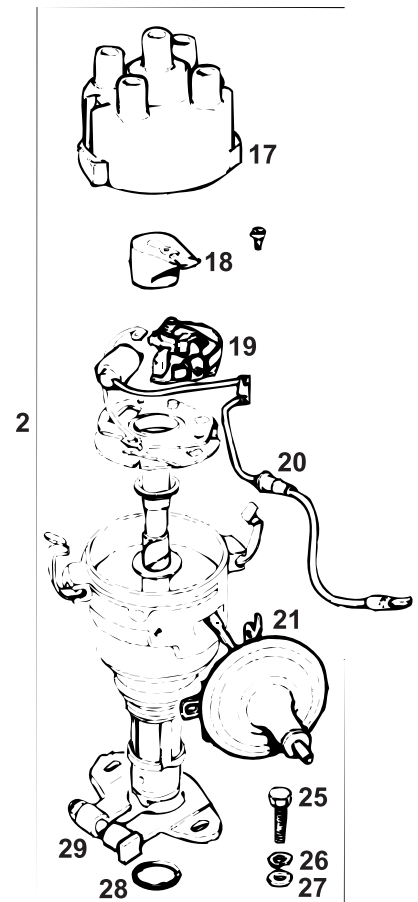
29



11



28



2

19

20

21

25

26

27

© 2008 MGOC Spares Ltd

Telephone: 01954 230928 Fax: 01954 231923, Email: sales@mgocspares.co.uk



**MGB
& GT
1800**



1	GED105E	Distributor - 25D - Exchange	1
1	GED106E	Distributor - 25D - Customer's unit recon	1
2	101BY1	Distributor - 45D - New	1
2	GED110	Distributor - 45D - New	1
2	GED110E	Distributor - 45D - Exchange	1
3	GED115	Distributor - 43D - Exchange	1
4	GDC102	Distributor cap - Side entry	1
5	GDC103	Distributor cap - Top entry	1
6	GRA101	Rotor arm	1
7	GCS2101	Contact set - Standard	1
8	CBS101	Screw - Contact breaker	1
9	GSC2111	Condenser	1
10	37H2981	Low tension lead	1
11	515859	Vacuum unit - 18G (-), 18V581/582/583	1
11	RTC1425	Vacuum unit - 18V779/780	1
12	12H733	Vacuum pipe - Metal - 3 synchro only	1
Use plastic vacuum pipe if metal pipe is not available.			
Note: Replacement vacuum units only fit to plastic vacuum pipe.			
13	37H4229M	Vacuum pipe - Plastic - Per metre	1
14	12B2062	Pipe connector - 90°	1
15	12B2095	Pipe connector - Straight	1
16	8G726	Cover - Distributor cap - Side entry	1
17	GDC136	Distributor cap	1
18	GRA114	Rotor arm	1
19	GCS2118	Contact set - Std points (red)	1
19	GCS2124	Contact set - Sliding points (blue)	1
20	GSC2109	Condenser and low tension lead	1
21	AAU2233	Vacuum unit - Original rubber bumper type	1
21	37H8298	Vacuum unit - for 45D in chrome bumper	1
22	37H4229M	Vacuum pipe - Plastic - Per metre	1
23	12B2062	Pipe connector - 90°	1
24	12B2095	Pipe connector - Straight	1
25	GHF117	Screw	2
26	GHF331	Washer - Spring	2
27	GHF300	Washer	2
28	513682	'O' ring - Distributor seal	1
29	3H2138	Clamp - Distributor	1
30	Z011	Advance Xenon timing light - Gunsons	1

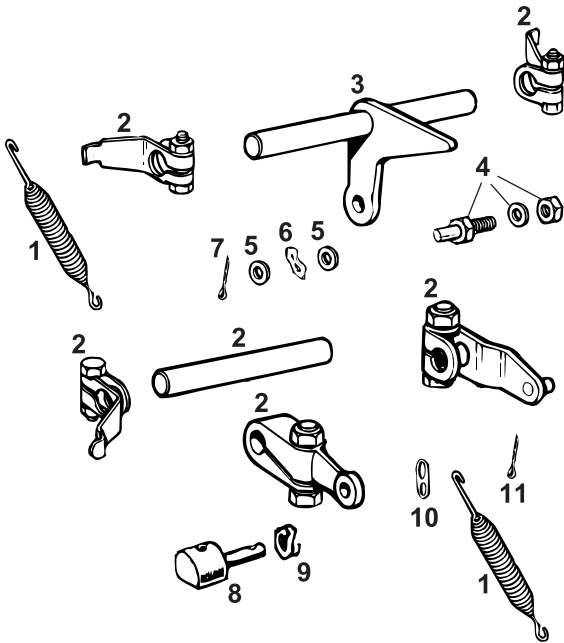
Fitted originally to chrome bumper cars
 Fitted originally to European chrome bumper cars with emission control
 Replaces 25D type on chrome bumper cars
 Fitted originally to rubber bumper cars
 Fitted originally to rubber bumper cars
 Performance distributor without vacuum advance

For 25D distributors (fitted originally to chrome bumper cars)

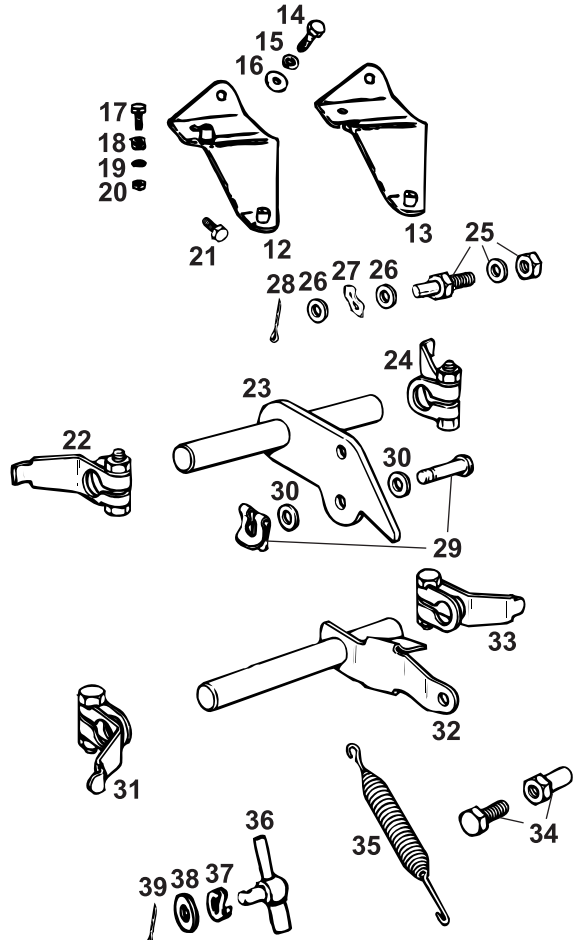
For 45D distributors (fitted originally to rubber bumper cars)

Stroboscopic light powered by the car battery for perfect dynamic timing

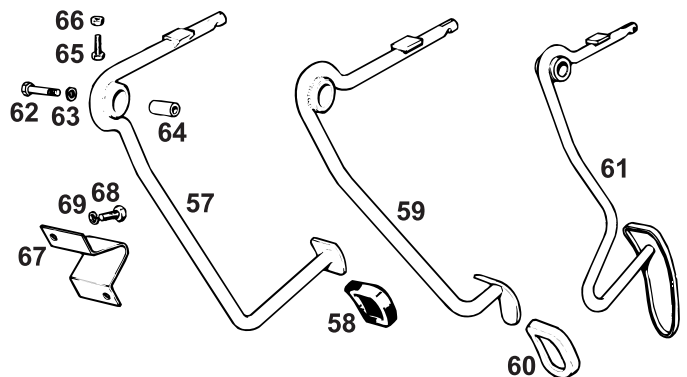
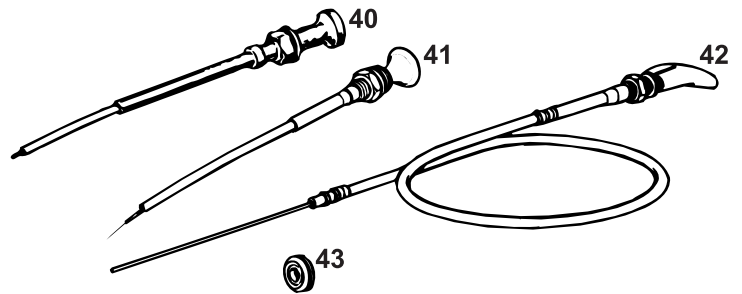
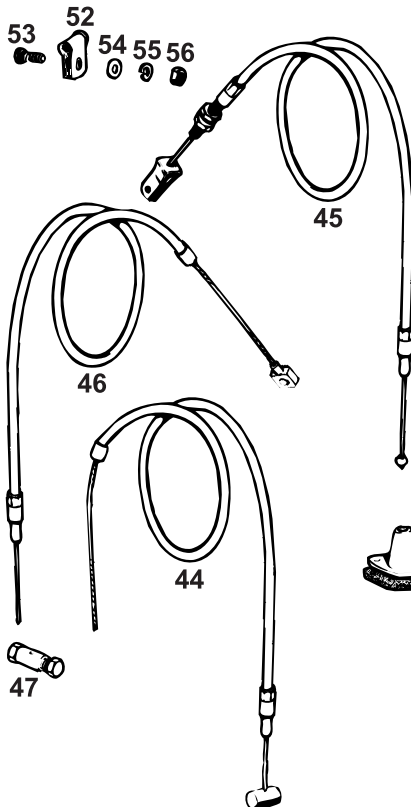
**Telephone: 01954 230928 Fax: 01954 231923, Email: sales@mgocspares.co.uk
 Buy Online at www.mgocspares.co.uk**



HS4 Carburetters



HIF4 Carburetters





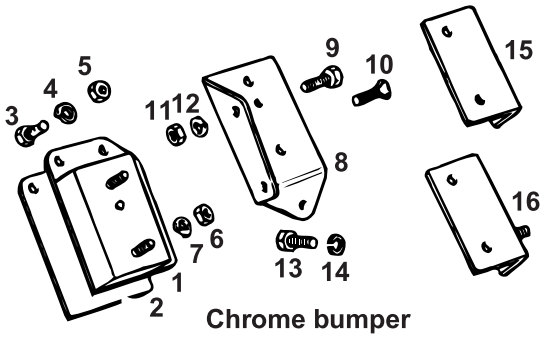
**MGB
& GT
1800**



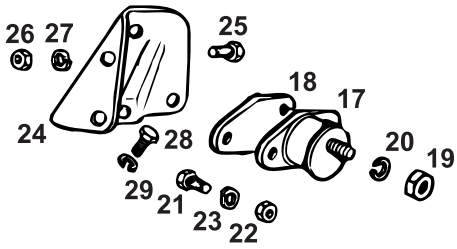
1	AEC2075	Spring - Carburetter return	3		
2	WZX1568	Lever kit	1		
3	12H715	Lever - Accelerator	1		
4	ACC5062K	Pin assembly - Accelerator	1		
5	GHF301	Washer - Plain	2	HS4 carburetters	
6	ACA5256	Washer - Anti rattle	1		
7	GHF502	Split pin	1		
8	AHH6734	Abutment - Choke cable	1		
9	AJD7712	Washer - Double coil	1		
10	12A4	Tab washer - Return spring	1		
11	GHF500	Split pin	1		
12	BHH558	Bracket - Choke and accelerator cables	1		Chrome bumper, HIF carburetters
13	BHH1676	Bracket - Choke and accelerator cables	1		
14	SH504051	Screw - Bracket to manifold	1		HIF carburetters
15	GHF331	Washer - Spring	1		
16	PWZ204	Washer	1		
17	SH 604051	Screw - Bracket to heatshield	1		
18	PWZ204	Washer	2		
19	GHF331	Washer - Spring	1		
20	GHF200	Nut	1		
21	53K3503	Screw - Choke cable clamp	1		
22	AUE496	Lever - Pick up - Accelerator - Front	1		
23	BHH631	Lever - Accelerator	1		
24	AUE685	Lever - Pick up - Accelerator - Rear	1	Chrome bumper, HIF carburetters	
25	ACC5062K	Pin assembly - Accelerator	1		
26	GHF301	Washer - Plain	2		
27	ACA5256	Washer - Anti rattle	1		
28	GHF502	Split pin	1		
29	BHA5357K	Pin and clip assembly	1		Rubber bumper, HIF carburetters
30	PWZ203	Washer	2		
31	AUE586	Lever - Pick up - Choke - Front	1		HIF carburetters
32	BHH633	Lever - Choke	1		
33	AUE587	Lever - Pick up - Choke - Rear	1		
34	AUE34	Trunnion - Choke cable	1	Rubber bumper, HIF carburetters	
35	AEC2075	Spring - Carburetter return	1	HIF carburetters	
36	BHH657	Abutment - Choke cable	1		
37	AJD7712	Washer - Double coil	1		
38	GHF306	Washer	1		
39	GHF502	Split pin	1		
40	AHH6725	Choke cable - Round knob - 'C' motif	1		Chrome bumper, 1962-69
41	BHH653	Choke cable - Round knob - Star motif	1		
41	BHH650	Choke cable - Round knob - Star motif	1		Chrome bumper, 1970-74
42	BHH2064	Choke cable - T knob	1		Rubber bumper, 1974 to Sept. 1976
43	RFN303	Grommet - Choke cable	1		Rubber bumper, Sept. 1976 on
43	RFN403	Grommet - Choke cable	1	Chrome bumper	
44	AHH8462	Accelerator Cable	1	Rubber bumper	
45	BHH1648	Accelerator Cable	1	Chrome bumper, manual	
46	BHH1120	Accelerator Cable	1	Rubber bumper	
47	AHC284	Pin - Accelerator cable	1	Chrome bumper, automatic	
48	AHH5308	Guide - Accelerator cable	1		
49	ACA5703	Seal - Guide	1		
50	PMZ308	Screw	2		
51	WL700101	Washer - Spring	2		
52	PCR307	Clip - Accelerator cable	1		
53	PMZ308	Screw	2		
54	GHF306	Washer	1		
55	WL700101	Washer - Spring	2		
56	GHF206	Nut	1		
57	AHH6497	Pedal - Accelerator	1	Chrome bumper, 3 synchro cars	
58	GPR105	Rubber pad - Pedal	1		
59	AHC135	Pedal - Accelerator	1	Chrome bumper, 4 synchro cars	
59	BHH1692	Pedal - Accelerator	1		
60	AHH5100	Rubber pad - Pedal	1	Rubber bumper, up to Sept. 1976	
61	BHH1971	Pedal - Accelerator	1	Fits AHC135/BHH1692 pedals - not original fitment, but good modification	
62	BH605111	Bolt - Pivot	1	Rubber bumper, Sept. 1976 on	
63	GHF332	Washer - Spring	1		
64	AHH6504	Tube - Distance	1		
65	SH604121	Screw - Pedal return stop	1		
66	GHF200	Nut - Pedal return stop	1		
67	AHB7162	Pedal stop	1		
68	SE604051	Screw	2		
69	GHF331	Washer - Spring	2		

Telephone: 01954 230928 Fax: 01954 231923, Email: sales@mgocspares.co.uk

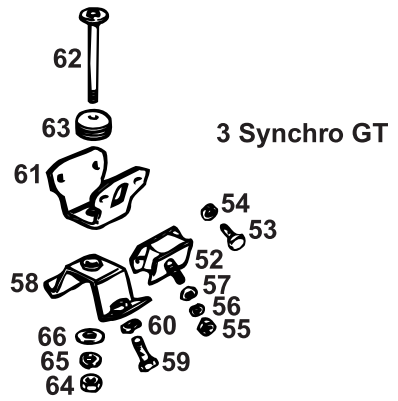
Buy Online at www.mgocspares.co.uk



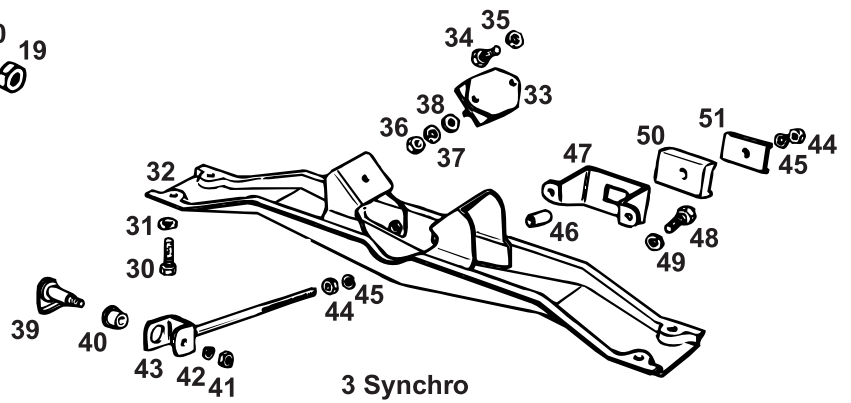
Chrome bumper



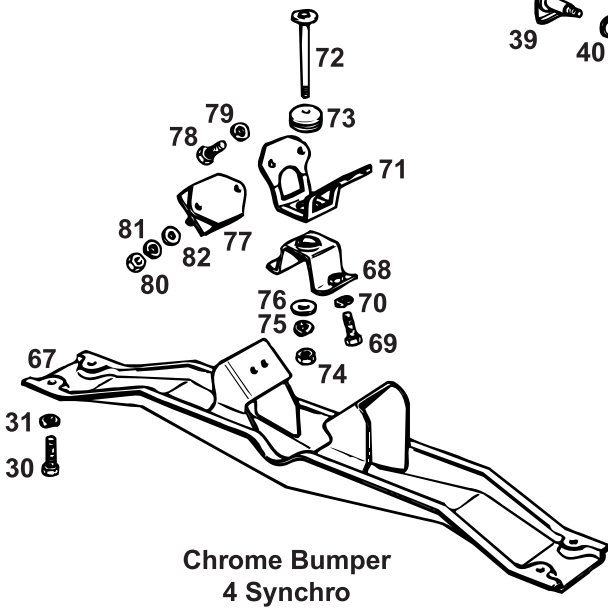
Rubber Bumper



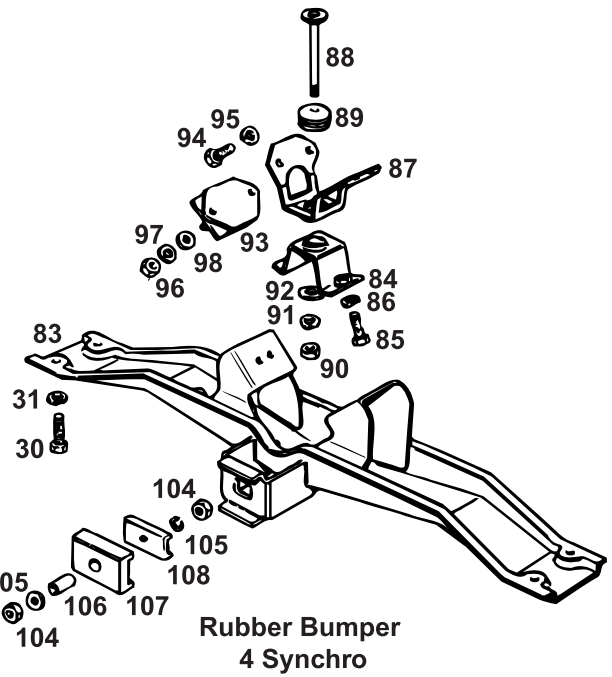
3 Synchro GT



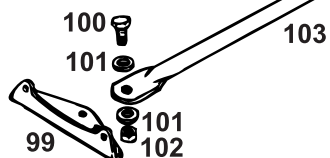
3 Synchro



**Chrome Bumper
4 Synchro**

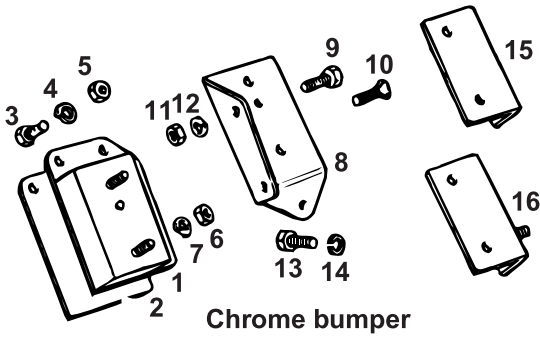


**Rubber Bumper
4 Synchro**

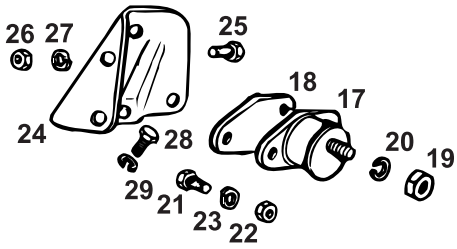




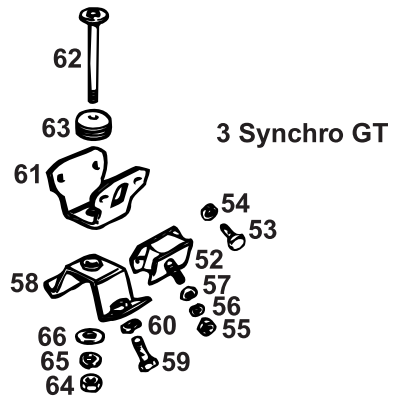
1	BHH1351	Engine mounting - RH	1	} Chrome bumper
1	BHH1352	Engine mounting - LH	1	
2	AHH6992	Packing plate (start with 1 on LH side)	A/R	
3	GHF120	Screw	8	
4	GHF332	Washer - Spring	8	
5	GHF201	Nut	8	
6	GHF201	Nut	4	
7	GHF332	Washer - Spring	4	
8	AHH5065	Mounting bracket - RH	1	
8	AHH5066	Mounting bracket - LH	1	
9	GHF103	Screw	2	
10	SF605081	Screw - Countersunk	2	
11	GHF272	Nut - Locking	4	
12	GHF332	Washer - Spring	4	
13	SH606061	Screw	2	
14	GHF333	Washer - Spring	2	
15	AHH7890	Bracket - Engine surge	2/1	
16	BHH640	Bracket - Engine surge - LH	1	
Note: AHH7890 surge bracket is fitted to both sides on chrome bumper cars with HS4 carburetters (but not at all on 3 synchro roadsters). Upon the introduction of HIF carburetters in 1972, AHH7890 was replaced on the LH side by a modified bracket, BHH640, but continued to be fitted to the RH side.				
17	BHH1621	Engine mounting	2	} Rubber bumper
18	BHH1528	Packing plate (start with 1 on RH side)	A/R	
19	GHF202	Nut - Engine mounting to body	2	
20	GHF333	Washer - Spring	2	
21	GHF120	Screw - Engine mounting to bracket	4	
22	GHF201	Nut	4	
23	GHF332	Washer - Spring	4	
24	BHH1619	Engine mounting bracket - RH	1	
24	BHH1620	Engine mounting bracket - LH	1	
25	SH605071	Screw - Bracket to front engine plate	4	
26	GHF201	Nut	4	
27	GHF332	Washer - Spring	4	
28	SH606061	Screw - Bracket to engine block	2	
29	GHF333	Washer - Spring	2	
30	SH606071	Screw - Crossmember to body	4	
31	GHF333	Washer - Spring	4	
32	AHH6134	Crossmember - Gearbox mounting	1	} All 3 synchro cars
33	GEX7453	Mounting - Gearbox	2	
34	SH505051	Screw - Mounting to gearbox	4	
35	GHF332	Washer - Spring	4	
36	GHF201	Nut - Mounting to crossmember	2	
37	GHF332	Washer - Spring	2	
38	GHF301	Washer - Plain	2	
39	1G9384	Pin - Steady rod	1	
40	1B8347	Bush - Gearbox steady	2	
41	GHF202	Nut	1	
42	GHF333	Washer - Spring	1	} GHN3 cars (3 synchro roadster)
43	AHH6056	Steady rod	1	
44	GHF202	Nut	2	
45	GHF333	Washer - Spring	2	
46	1G8775	Spacer tube	1	
47	AHH6298	Bracket - Gearbox steady rod	1	
48	SH604051	Screw - Bracket to crossmember	2	
49	GHF331	Washer - Spring	2	
50	1G8781	Steady buffer	2	
51	1G8782	Plate - Steady buffer	2	
52	GEX7422	Mounting - Gearbox	2	} GHD3 cars (3 synchro GT)
53	SH505051	Screw - Mounting to gearbox	4	
54	GHF332	Washer - Spring	4	
55	GHF201	Nut - Mounting to crossmember	2	
56	GHF332	Washer - Spring	2	
57	GHF301	Washer - Plain	2	
58	AHH7853	Bracket - Steady - Lower	1	
59	GHF120	Screw - Bracket to crossmember	2	
60	GHF332	Washer - Spring	2	
61	AHH7852	Bracket - Steady - Upper	1	
62	AHH7855	Steady pin	1	} Chrome bumper 4 synchro
63	AHH7854	Steady bush	2	
64	GHF201	Nut	1	
65	GHF332	Washer - Spring	1	
66	GHF315	Washer - Plain	1	
67	AHH8430	Crossmember - Gearbox mounting	1	
68	AHH8432	Bracket - Steady - Lower	1	
69	GHF120	Screw	2	
70	GHF332	Washer - Spring	2	
71	AHH8431	Bracket - Steady - Upper	1	
72	AHH7855	Steady pin	1	



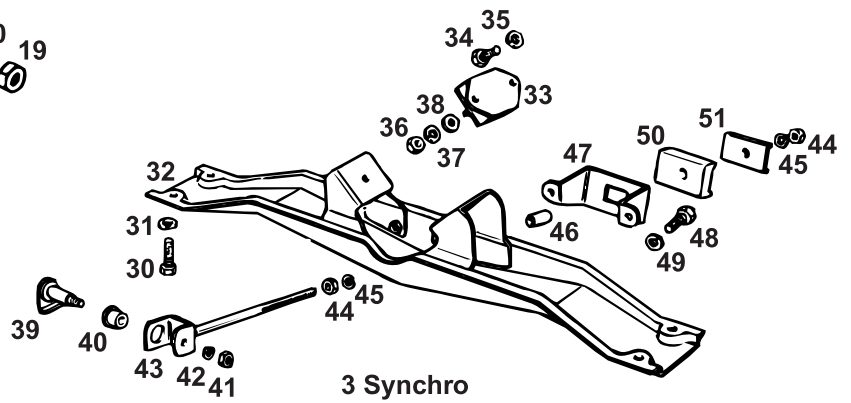
Chrome bumper



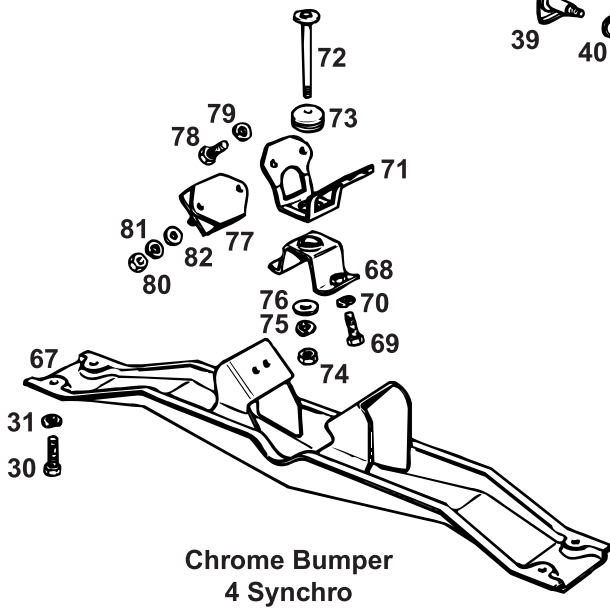
Rubber Bumper



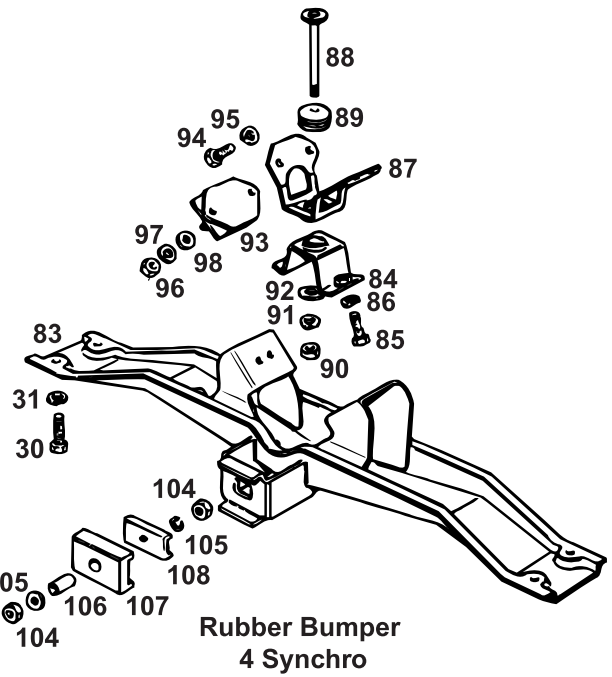
3 Synchro GT



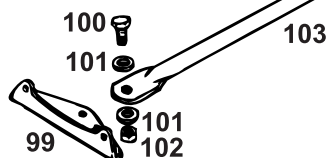
3 Synchro



**Chrome Bumper
4 Synchro**



**Rubber Bumper
4 Synchro**





**MGB
& GT
1800**



73	AHH7854	Steady bush	2	} Chrome bumper 4 synchro
74	GHF201	Nut	1	
75	GHF332	Washer - Spring	1	
76	GHF315	Washer - Plain	1	
77	GEX7453	Mounting - Gearbox	2	
78	SH505061	Screw - Mounting to gearbox	4	
79	GHF332	Washer - Spring	4	
80	GHF201	Nut - Mounting to crossmember	2	
81	GHF332	Washer - Spring	2	
82	GHF301	Washer - Plain	2	
83	BHH1543	Crossmember - Gearbox mounting	1	} Rubber bumper 4 synchro
84	AHH8432	Bracket - Steady - Lower	1	
85	GHF120	Screw	2	
86	GHF332	Washer - Spring	2	
87	AHH8431	Bracket - Steady - Upper	1	
88	AHH7855	Steady pin	1	
89	AHH7854	Steady bush	2	
90	GHF201	Nut	1	
91	GHF332	Washer - Spring	1	
92	GHF315	Washer - Plain	1	
93	GEX7453	Mounting - Gearbox	2	
94	SH505061	Screw - Mounting to gearbox	4	
95	GHF332	Washer - Spring	4	
96	GHF201	Nut - Mounting to crossmember	2	
97	GHF332	Washer - Spring	2	
98	GHF301	Washer - Plain	2	
99	BHH1542	Bracket - Engine steady/exhaust mounting	1	
100	SH605101	Screw	1	
101	GHF301	Washer - Plain	2	
102	GHF222	Nut - Locking	1	
103	BHH1540	Steady rod	1	
104	GHF202	Nut	2	
105	GHF302	Washer - Plain	1	
106	1G8775	Spacer tube	1	
107	1G8781	Steady buffer	2	
108	1G8782	Plate - Steady buffer	2	
109	GHF333	Washer - Spring	1	

**Telephone: 01954 230928 Fax: 01954 231923, Email: sales@mgocspares.co.uk
Buy Online at www.mgocspares.co.uk**

FUEL SYSTEM:

CARBURETTORS

AIR FILTERS

INLET MANIFOLDS

ENGINE BREATHING

FUEL TANKS

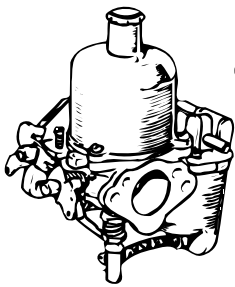
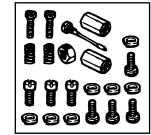
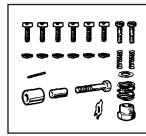
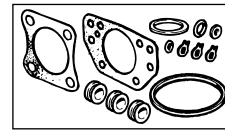
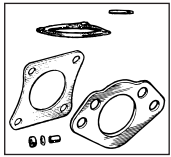
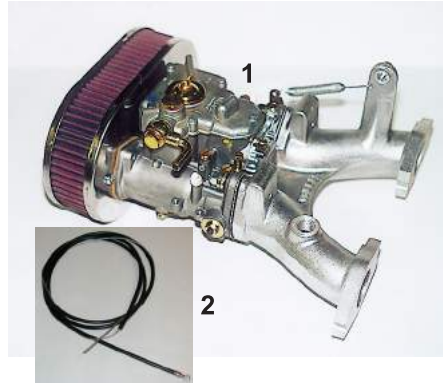
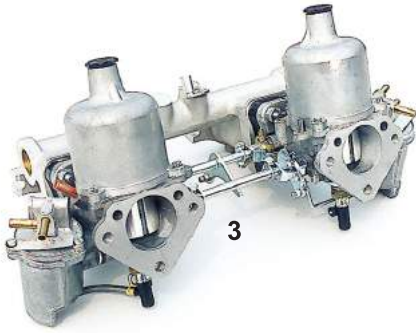
FUEL PUMPS

FUEL LINES & HOSES





**MGB
& GT
1800**



**HS4
Carburettors**

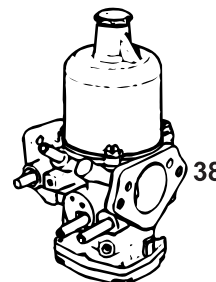


**Fixed
Needle**

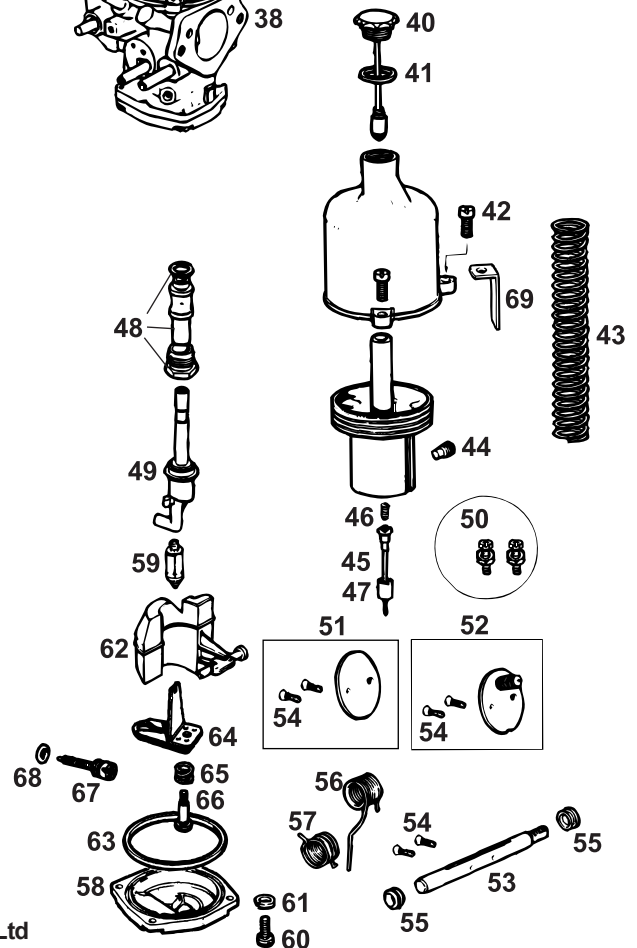
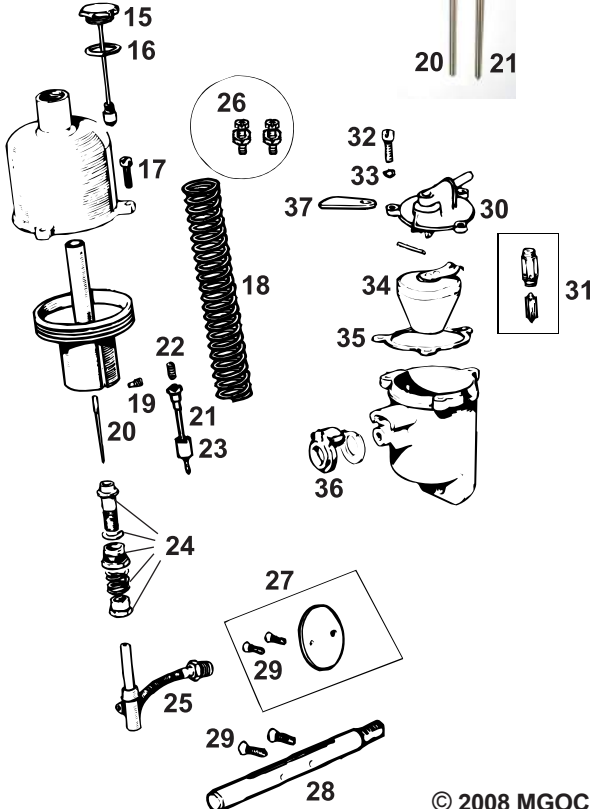
**Biased
Needle**

20

21



**HIF4
Carburettors**



© 2008 MGOC Spares Ltd

Telephone: 01954 230928 Fax: 01954 231923, Email: sales@mgocspares.co.uk

Weber 45 DCOE Conversion

This Weber installation for the MGB is ready assembled and includes the inlet manifold, linkages and K&N air filter (the special throttle cable is available separately). A twin choke 45 DCOE Weber carburetter provides simply breathtaking performance.

1	G001	Carb kit - Weber1
2	G003	Throttle cable - for G0011

HS6 Conversion

A pair of HS6's add about 6 bhp to a fast road car with a free-flow exhaust; the main improvement is torque at low to mid revs, with a small increase in fuel consumption. The standard needles supplied may need changing to suit the engine. The HS6 carburetter package includes the correct manifold and linkages; for suitable air filters and heatshields, please refer to the Air Filters and Manifolds sections.

3	G010	Carb kit - S.U - HS61
---	------	----------------------	--------

Needle	Type	Part No.
Fixed	KP	AUD1541
Fixed	TE	AUD1347
Biased	BBW	CUD1144
Biased	BDR	NZX8016
Biased	BAP	CUD1113

Needle	HS6 Fixed	HS6 Biased	HIF6 Biased
Standard	KP	BBW	BBW
With K&N filters			
+ complete exhaust		BBW	
+ modified head	TE	BDR	BDR
+ road camshaft		BAP	
1950 + K&N's, std cam		BBW	BBW

HS4 and HIF4 Carburetter Needles

Early MGB's used 'fixed' needles while later cars had 'spring based' types. Modified cars should be gas analysed on a rolling road to determine the needles to be used and to adjust them accordingly. The needles have a number or combination of letters stamped on them for identification and are always sold individually.

Needle	Type	Part No.
Fixed	No.5	AUD1004
Fixed	No.6	AUD1005
Biased	AAU	CUD1018
Biased	ACD	CUD1051
Biased	AAA	CUD1000
Biased	AAB	CUD1001
Biased	AAM	CUD1011

Needle	HS4 Fixed	HS4 Biased	HIF4 Biased
Standard	5	AAU	ACD
With K&N filters	6	AAA	AAA
+ complete exhaust		AAM	AAM
+ modified head		AAM	AAM
+ road camshaft		AAB	
1950 + K&N's, std cam		AAU	AAU

HS4, HS6 and HIF4 Carburetter Maintenance Kits and Tools

4	AUE811	Carburetter gasket kit2	HS4 carburetters
4	AUE812	Carburetter gasket kit2	HS6 carburetters

An HS4 or HS6 gasket kit includes manifold gasket, air filter gasket, suction chamber damper washer, float lid gasket and jet union washer and seal for one carburetter.

5	AUE820	Carburetter gasket kit2	HIF4 carburetters
---	--------	------------------------	--------	-------------------

An HIF4 gasket kit includes manifold gasket, air filter gasket, suction chamber damper washer, float lid gasket, float spindle washer, mixture screw seal, throttle spindle seals, starter spindle seals and O rings, plus throttle spindle lock tabs for one carburetter.

6	CSK59	Carburetter service kit1	HS4 carburetters
6	CSK55	Carburetter service kit1	HS6 carburetters

An HS4 or HS6 service kit includes the gasket kit, plus float chamber needles and seats, jet assemblies and clips for the jet pick up links for two carburetters.

7	CSK50	Carburetter service kit1	HIF4 carburetters
---	-------	-------------------------	--------	-------------------

An HIF4 service kit includes the gasket kit, plus float chamber needles and seats and jet assemblies for two carburetters.

8	CRK254	Carburetter rebuild kit1	HS4 carburetters
8	CRK249	Carburetter rebuild kit1	HS6 carburetters

An HS4 or HS6 rebuild kit includes the service kit, plus throttle spindles, throttle spindle bushes, throttle discs and throttle disc screws for two carburetters. Note that the throttle spindle bosses on the carburetter body must be reamed before fitting spindle bushes.

9	CRK116A	Carburetter rebuild kit1	AUD434 HIF4 carburetters
9	CRK116	Carburetter rebuild kit1	AUD616, FZX1001 and FZX1229 HIF4 carburetters

An HIF4 rebuild kit includes the service kit, plus throttle spindles, throttle spindle bushes, throttle discs (plain in CRK116A or with overrun valves in CRK116) and throttle disc screws for two carburetters. Note that the throttle spindle bosses on the carburetter body must be reamed before fitting spindle bushes.

10	CSK003	Carburetter sundries kit2	HS4 and HS6 carburetters
----	--------	--------------------------	--------	--------------------------

An HS4/HS6 sundries kit includes choke cam pivot bolt and tubes, suction chamber screws, float lid screws and washers, stop screws and springs, jet nut, jet spring and washer, spindle lock tab and float pivot pin for one carburetter.

11	CSK004	Carburetter sundries kit2	HIF4 carburetters
----	--------	--------------------------	--------	-------------------

An HIF4 sundries kit includes stop screws and springs, float chamber screws, float spindle, throttle spindle lock nuts and suction chamber screws for one carburetter.

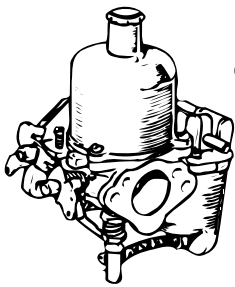
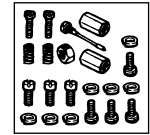
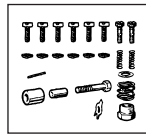
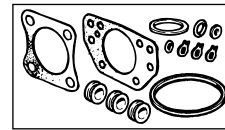
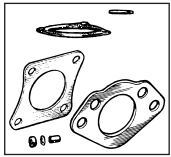
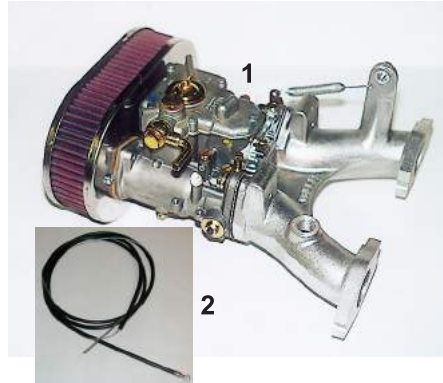
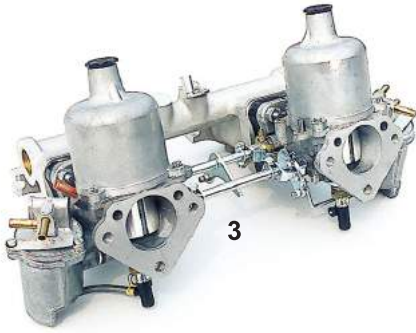
12	Z015	S.U - Tuning tool kit1
13	BCC500	S.U - Carb cleaner - Aerosol 500ml	... A/R

HS4 Carburetters and Components (standard fitment carburetters up to 1972)

14	AUD52P	Carburetters - HS4 - Pair - Exchange1	18G/GA engines 1962-64 (fixed needle type carburetters)
14	AUD135P	Carburetters - HS4 - Pair - Exchange1	18GB engines 1965-67 (fixed needle type carburetters)
14	AUD278P	Carburetters - HS4 - Pair - Exchange1	18GD engines 1968 (fixed needle type carburetters)
14	AUD278T	Carburetters - HS4 - Pair - New1	
14	AUD325P	Carburetters - HS4 - Pair - Exchange1	
14	AUD325AT	Carburetters - HS4 - Pair - New1	18GG engines 1969-71 (fixed needle type carburetters)
14	AUD492P	Carburetters - HS4 - Pair - Exchange1	
15	AUC8114A	Damper - Black nylon top2	18V581F/582F/583F engines 1971-72 (biased needle type carburetters)
15	AUC8114HB	Damper - Brass top2	
16	AUC4900A	Washer - Damper2	Original fitment
17	JZX1394	Screw - Dashpot6	bright finish alternative
18	AUC4387	Spring - Dashpot piston - Red2	
19	AUC2057	Screw - Needle locking2	For fixed needle carburetters
19	AUD4251	Screw - Needle locking2	For biased needle carburetters



MGB & GT 1800



HS4 Carburettors

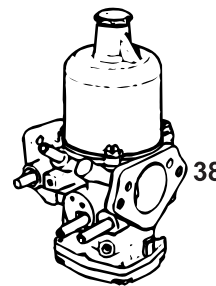


Fixed Needle

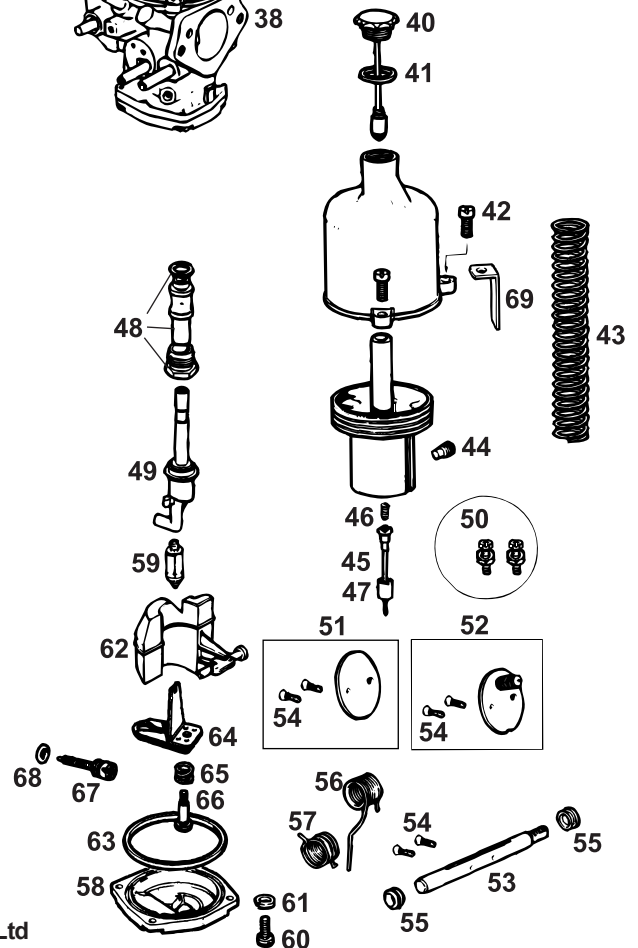
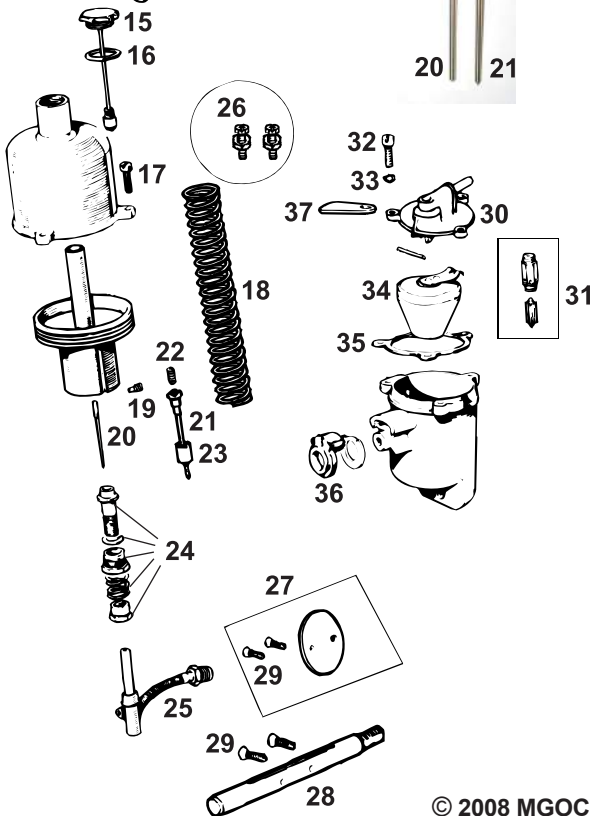
Biased Needle

20

21



HIF4 Carburettors



© 2008 MGOC Spares Ltd

Telephone: 01954 230928 Fax: 01954 231923, Email: sales@mgocspares.co.uk



**MGB
& GT
1800**



20	AUD1005	Needle - No6 - Rich	2	}	Fixed needle; AUD52 carbs (18G/GA), AUD135 carbs (18GB)
20	AUD1004	Needle - No5 - Standard	2		
20	AUD1008	Needle - No21 - Weak	2	}	Fixed needle; AUD278 carbs (18GD), AUD325 carbs (18GG)
20	AUD1004	Needle - No5 - Rich	2		
20	AUD1530	Needle - FX - Standard	2		
20	AUD1473	Needle - GZ - Weak	2		
21	CUD1018	Needle - AAU	2	}	Biased needle; AUD492 carbs (18V581F/582F/583F)
22	AUD3306	Spring - Needle bias	2		
23	AUD4288	Guide - Needle	2	}	For biased needle carburetters
24	WZX1341	Jet bearing kit	2		
24	WZX1340	Jet bearing kit	2	}	For fixed needle carburetters For biased needle carburetters
25	AUD9141	Jet - Front	1		
25	AUD9142	Jet - Rear	1		
26	WZX1140	Slow run/Fast idle kit	2		
27	WZX1323	Throttle disc kit	2		

The throttle disc kit includes a plain type disc (rather than the overrun valve type disc used on later HS4s) for more efficient air flow.

28	WZX1177	Throttle spindle kit	2
29	AUC1358	Screw - Throttle disc	4
30	AUE278	Float lid assembly - Front	1
30	AUE279	Float lid assembly - Rear	1
31	WZX1100	Needle and seat	2
32	JZX1394	Screw - Float lid cover	6
33	WL700101	Washer - Spring	6
34	WZX1300	Float	2
35	AUC8459	Gasket - Float lid	2
36	AUD2676	Grommet - Float chamber - Rear	1
36	AUD2677	Grommet - Float chamber - Front	1
37	CRCP395	Tag - Carburetter Identification	1

CRCP395 is a blank tag requiring the carburetter number to be stamped on it.

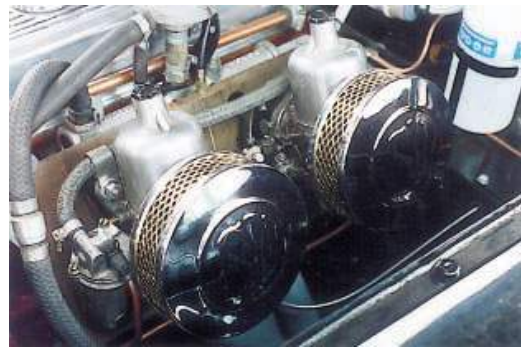
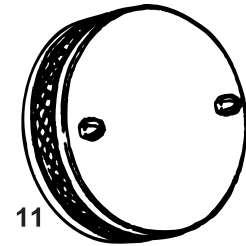
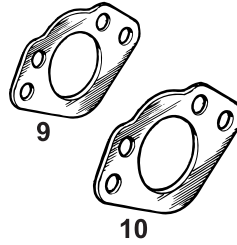
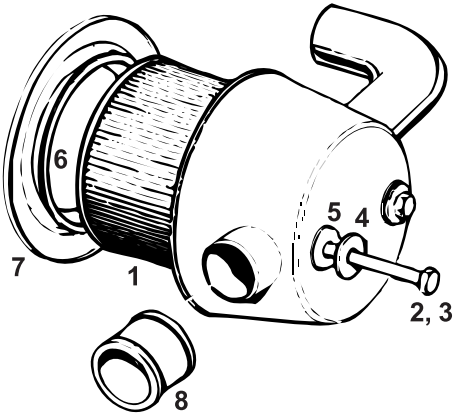
HIF4 Carburetters and Components (standard fitment carburetters from 1972 on)

38	AUD434P	Carburetters - HIF4 - Pair - Exchange	1	}	18V581Y/582Y/583Y engines, chrome bumper 1972 18V779F/780F engines, chrome bumper 1973-74
38	AUD616P	Carburetters - HIF4 - Pair - Exchange	1		
38	FZX1001P	Carburetters - HIF4 - Pair - Exchange	1	}	18V846F/847F engines, rubber bumper 1975 to Sept. 1976
38	FZX1001T	Carburetters - HIF4 - Pair - New	1		
38	FZX1229P	Carburetters - HIF4 - Pair - Exchange	1	}	18V846F/847F engines, rubber bumper Sept. 1976 on
38	FZX1229T	Carburetters - HIF4 - Pair - New	1		

Note that FZX1001T also makes an ideal pair of new HIF4 carburetters for chrome bumper applications.

39	K022	Dashpot cover - Bright finish	2	}	Original fitment bright finish alternative
40	AUC8114A	Damper - Black nylon top	2		
40	AUC8114HB	Damper - Brass top	2		
41	AUC4900A	Washer - Damper	2		
42	JZX1394	Screw - Dashpot	6		
43	AUC4387	Spring - Dashpot piston - Red	2		
44	AUD4251	Screw - Needle locking	2		
45	CUD1018	Needle - AAU	2	}	AUD434 and AUD616 carburetters (all chrome bumper cars) FZX1001 and FZX1229 carburetters (all rubber bumper cars)
45	CUD1051	Needle - ACD	2		
46	AUD3306	Spring - Needle bias	2		
47	AUD4287	Guide - Needle	2		
48	WZX1441	Jet bearing kit	2		
49	WZX1454	Jet - Front	1		
49	WZX1455	Jet - Rear	1		
50	WZX1436	Slow run/Fast idle kit	2	}	AUD434 carburetters AUD616 and FZX1001 carburetters FZX1229 carburetters
50	WZX1435	Slow run/Fast idle kit	2		
50	WZX1439	Slow run/Fast idle kit	2		
51	WZX1323	Throttle disc kit (plain disc)	2		
52	WZX1329	Throttle disc kit (overrun valve disc)	2		
53	WZX1170	Throttle spindle kit	2		
54	AUC1358	Screw - Throttle disc	4		
55	AUD3577	Seal - Throttle spindle	4		
56	AUD4273	Throttle return spring - Front	1		
56	AUD4272	Throttle return spring - Rear	1		
57	AUD4418	Choke return spring - Front	1		
57	AUD4417	Choke return spring - Rear	1		
58	AUD4207	Cover - Float chamber	2		
59	WZX1101	Needle and seat	2		
60	AUD3590	Screw - Float chamber cover	8		
61	WL700101	Washer - Spring	8		
62	WZX1510	Float - Front	1		
62	WZX1509	Float - Rear	1		
63	AUD3588	Seal - Float chamber	2		
64	CUD2399	Bi-Metal Assembly	2		
65	AUD3583	Spring - Bi-Metal Assembly	2		
66	AUD3584	Screw - Bi-Metal Assembly	2		
67	AUD3585	Screw - Mixture	2		
68	AUD3586	Seal - Mixture Screw	2		
69	CRCP395	Tag - Carburetter Identification	1	}	CRCP395 is a blank tag requiring the carb number to be stamped on it. Helps equalise air flow through multiple carburetters
70	Z004	Carbalancer - Gunsons	1		

© 2008 MGOC Spares Ltd



12



14



16



17



19



18



**MGB
& GT
1800**



1	GFE1003	Air filter element	2	Fits inside standard air filter casings
2	BH605401	Bolt - Fine thread	4	For cars fitted with HS4 carburetters
3	BH505361	Bolt - Coarse thread	4	For cars fitted with HIF4 carburetters
4	PWZ205	Washer - Plain	4	
5	BHH1174	Grommet	4	
6	17H2544	Sealing ring	2	
7	17H2545	Baseplate - Alloy	2	
8	AHH6465	Seal - Air filter coupling	1	
9	12G2125	Gasket - Air filter to carburetter	2	For cars fitted with HS4 or HIF4 carburetters
10	AEC375	Gasket - Air filter to carburetter	2	For cars fitted with HS6 carburetters
11	PF102	Air filter - Accessory - Chrome - 1 1/2"	2	For HS4 or HIF4 carburetters
11	PF103	Air filter - Accessory - Chrome - 1 3/4"	2	For HS6 carburetters
12	G228	Air filter - SU style - Chrome - 1 1/2"	2	For HS4 or HIF4 carburetters
12	G229	Air filter - SU style - Chrome - 1 3/4"	2	For HS6 carburetters

These attractive, chrome plated foam filters with the distinctive SU logo will enhance your MG's engine bay and improve air flow and performance. Greater performance improvements still are available when used with stub stacks G221 (1 1/2") or G222 (1 3/4") - see below.

K&N Air Filters

The most efficient performance filters available, K&Ns provide up to 40% more air flow than conventional filters, with extremely high levels of filtration. Through their efficiency, up to 5 bhp engine power improvement is available. K&N filters require minimal cleaning and are supplied pre-oiled, ready for use (filter cleaner and oil also available). Choose from custom MGB filter kits, with deep filters and attractive alloy cover plates, or the ever popular pancake style filters in mirror finish stainless steel.

After fitting the K&N filter kit it may be necessary to fit richer needles to your carburetters: for example on HS4 fixed needle carburetters a No5 (AUD1004) or 6 (AUD1005) should work. For biased needle HS4 carburetters if an AAU needle (CUD1018) is insufficient we have a special rich needle AAA (part number of the AAA needle is CUD1000). Further information is provided in table form - please see the beginning of the Carburetters section.

13	G210	Filter kit - K&N - 'MG' logo	1] For HS4 or HIF4 carburetters
14	G210X	Filter kit - K&N - Without logo	1	

Get the famous K&N filter technology for your MG with these filter kits, custom designed for the MGB standard 1 1/2" carburetter set up. Incorporating a choice of attractive filter plate designs (with or without MG logo), these kits utilise the original MGB filter base plates and mounting bolts. The deep filters guarantee maximum air flow.

15 G215 Pancake air filter - K&N - 1 1/2" 2 For HS4 or HIF4 carburetters
When fitting G215 filters to HS4 type carbs, 4 x GHF120 screws are also required. When fitting to HIF4 type carbs 4 x SH505051 screws are required. May be fitted with stub stacks G221 for further improvements.

15 G217 Pancake air filter - K&N - 1 3/4" 2 For HS6 carburetters
When fitting G217 filters to HS6 type carbs, 4 x GHF120 screws are also required. May be fitted with stub stacks G222 for further improvements.

16 G219 Pancake air filter - K&N - 45 DCOE 1 For Weber 45 DCOE carburetter
Specially sourced for MGOC Spares' Weber carburetter installation kit, but also applicable to 45 DCOE installations in many other cars.

17	G224	Service pack - K&N - Cleaner and oil	A/R
18	G225	Oil - K&N filter - Sachet	A/R

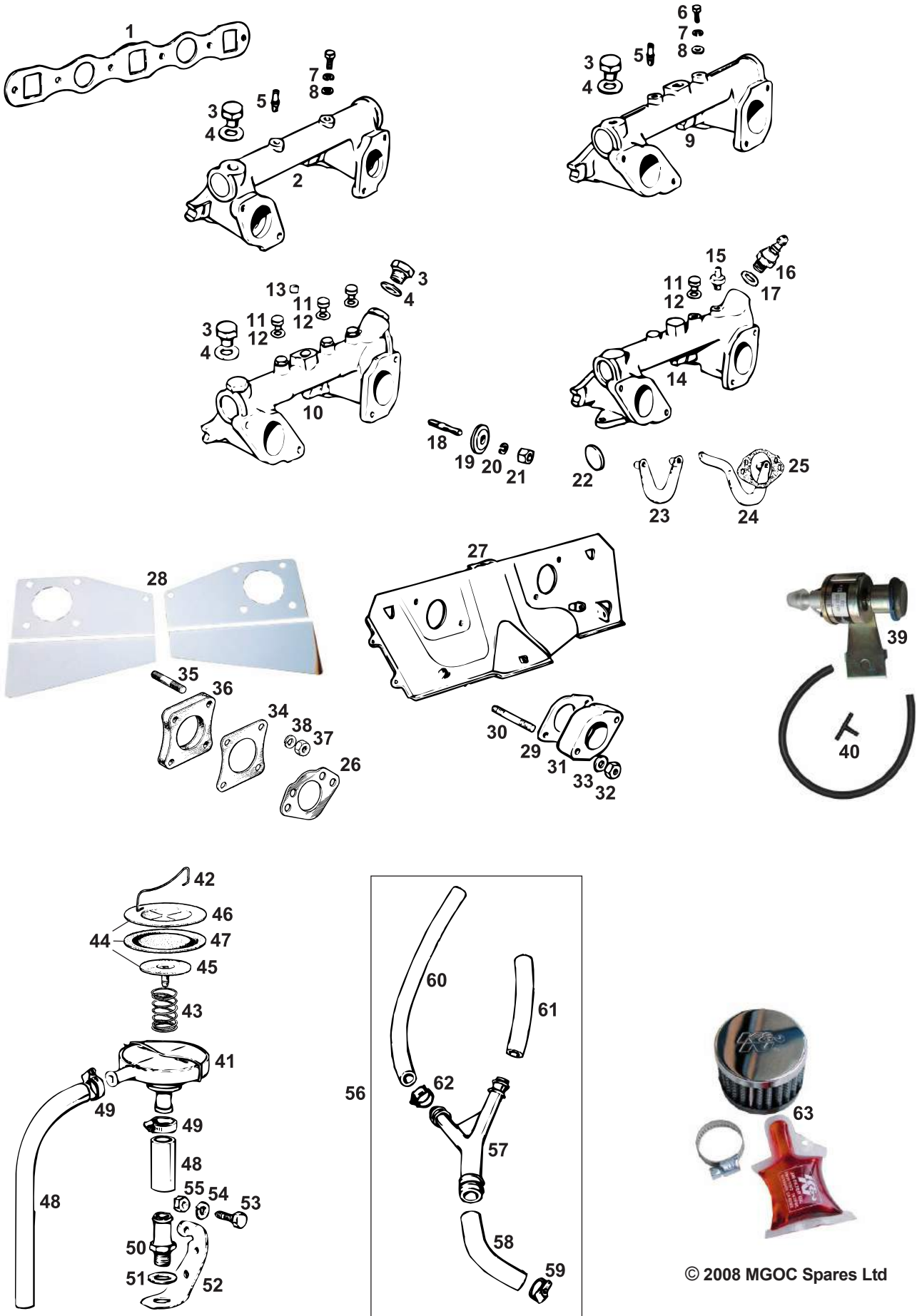
19	G221	Stub stack - K&N - 1 1/2"	2] For G217 K&N or G229 SU air filters
19	G222	Stub stack - K&N - 1 3/4"	2	

Ideal for use with K&N or SU pancake air filters. Highly recommended, they greatly improve air flow into the carburetters.

**Telephone: 01954 230928 Fax: 01954 231923, Email: sales@mgocspares.co.uk
Buy Online at www.mgocspares.co.uk**



MGB
& GT
1800



© 2008 MGOC Spares Ltd

Telephone: 01954 230928 Fax: 01954 231923, Email: sales@mgocspares.co.uk



**MGB
& GT
1800**



1	GUG4013MG	Gasket - Manifold	1	
1	CAM1569B	Gasket - Manifold - USA	1	
2	12H911	Manifold - Inlet - Thick flange	1	18G engines
3	ADP210	Plug - Screwed - Large	A/R	
4	51K3811	Washer - Sealing	A/R	To suit large threaded holes
5	AHH6962	Adaptor - Overdrive vacuum switch	1	
6	SH605051	Screw	2/1	3 syncho overdrive gearbox
7	GHF332	Washer - Spring	2/1	
8	PWZ205	Washer	2/1	Quantity reduced when overdrive vacuum adaptor fitted
9	12H1397	Manifold - Inlet - Thick flange	1	
10	8G767	Manifold - Inlet - Thick flange	1	18GA, GB, GD/WE to 2238, GD/RWE to 2623 18G (-) series after 12H1397
11	12H2572	Plug - Screwed - Small	A/R	
12	AEC435	Washer - Sealing	A/R	To suit small threaded holes
13	12H1734	Plug - Brass	1	

Note: If 12H1734 is not available, hole may be tapped to 5/8 UNF. ADP210 and 51K3811 will then fit.

14	CHM171	Manifold - Inlet - Thin flange	1	18V engines
15	12H3574	Adaptor - Vacuum advance pipe	1	
16	ADU1402	Adaptor - Brake servo	1	When brake servo fitted
17	267604	Washer - Sealing	1	
18	FHS2513	Stud - Manifold - Outer	2	18G (-) series (thick flange manifolds)
18	FHS2515	Stud - Manifold - Inner	4	
18	FHS2513	Stud - Manifold	6	18V series (thin flange manifolds)
19	1G2418	Washer - Thick	4	
20	GHF332	Washer - Spring	6	
21	GHF261	Nut - Brass	6	
22	2K8159	Welch plug - Dished type	2	Fitted up to 1977 approximately
22	AEA635	Welch plug - Cup type	2	Fitted from 1977 on approximately
23	AHH6731	Bracket - Front filter	1	For cars fitted with HS4 carburetters
24	AHH6732	Bracket - Rear filter	1	
25	12G2125	Gasket - Carburetter to air filter	2	For cars fitted with HS4 or HIF4 carburetters
26	AEC375	Gasket - Carburetter to air filter	2	
27	12H719	Heatshield	1	For cars fitted with HS6 carburetters
27	12H3607	Heatshield	1	
27	CAM1194	Heatshield	1	For manual cars fitted with HS4 carburetters
28	TMG1714	Heatshields - Stainless steel - Pair	1	
29	AEC2083	Gasket - Carburetter to manifold	6	For cars fitted with HIF4 carburetters, up to Sept. 1976
30	CHS2522	Stud - Manifold to carburetter	4	
31	12H712	Spacer block	2	For cars fitted with HS4 carburetters, Sept. 1976 on
32	NT605041	Nut - Carburetter	4	
33	GHF301	Washer - Spring	4	For cars fitted with HS6 carburetters
34	AUC4279	Gasket - Carburetter to manifold	6	
35	CHS2516	Stud - Manifold to carburetter	8	
36	12B561	Spacer block	2	For cars fitted with HS4 or HIF4 carburetters
37	GHF201	Nut - Carburetter	8	
38	GHF332	Washer - Spring	8	For cars fitted with HS6 carburetters
39	ADU9535	Anti run-on valve	1	
40	ADU9535N	Anti run-on - Fit kit - Non servo	1	
40	ADU9535S	Anti run-on - Fit kit - Servo car	1	

The anti run-on valve is a simple device to cut the engine immediately when the ignition is turned off, preventing potentially harmful running on. Particularly useful for some tuned engines, or standard engines temporarily using poorer quality fuel! Note that it is not, however, intended as a cure for an engine that tends to run-on because it is out of tune, nor is it a substitute for retuning the engine to match the quality of locally available fuel.

41	13H5191	Valve ass'y - Positive crankcase ventilation	1	18GA, GB, GD engines
42	27H7760	Clip - Cover	1	
43	27H7756	Spring	1	
44	517582	Service kit - Valve	1	
45	149342	Plunger	1	
46	27H7759	Cover	1	
47	27H7758	Diaphragm	1	
48	BAU5065M	Breather hose	A/R	
49	GHC406	Hose clip - Worm type	4	
50	12H1405	Adaptor	1	
51	51K3811	Washer	2	18GG, 18V engines
52	12H1406	Bracket - Emission control valve	1	
53	GHF117	Screw	1	
54	GHF331	Washer - Spring	1	
55	GHF200	Nut	1	
56	BBK1	Breather hose kit	1	
57	12G2134	'Y' piece	1	
58	CAM1818	Hose - 'Y' piece to tappet chest	1	
59	GHC406	Hose clip - Worm type	1	
60	CAM5226	Hose - 'Y' piece to front carburetter	1	
61	CAM5227	Hose - 'Y' piece to rear carburetter	1	
62	ACH5854	Hose clip - carburetter end	2	
63	G002C	K&N engine breather - Chrome	1	
63	G002B	K&N engine breather - Black	1	

For effective K&N filtration and protection, the engine breather filter may be fitted when the closed circuit breathing system (either positive crankcase ventilation on early cars or carburetter crankcase ventilation on later cars) is disconnected.

Telephone: 01954 230928 Fax: 01954 231923, Email: sales@mgocspares.co.uk

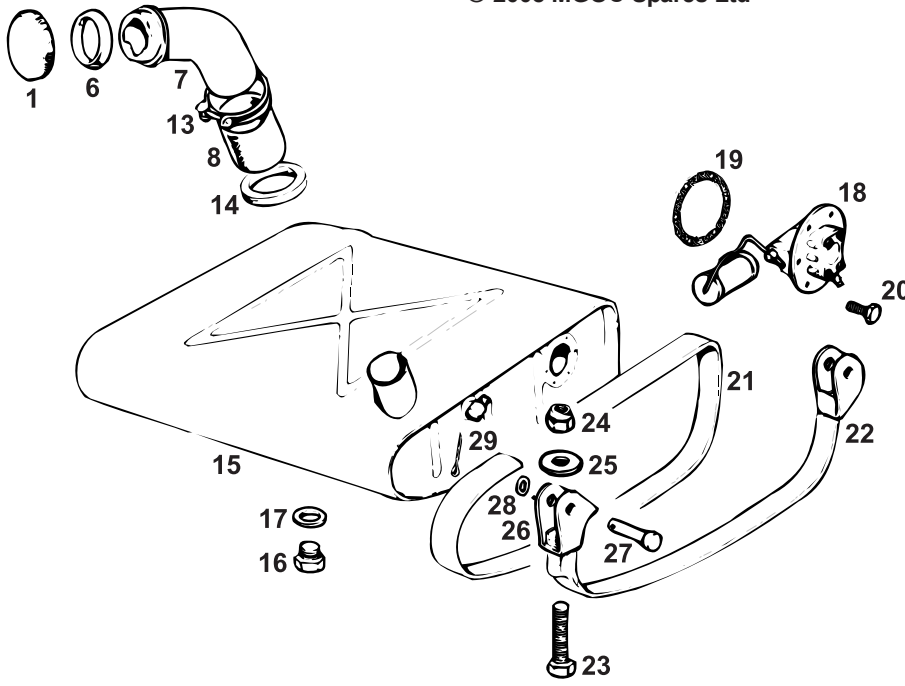
Buy Online at www.mgocspares.co.uk



MGB & GT 1800



© 2008 MGOC Spares Ltd



2



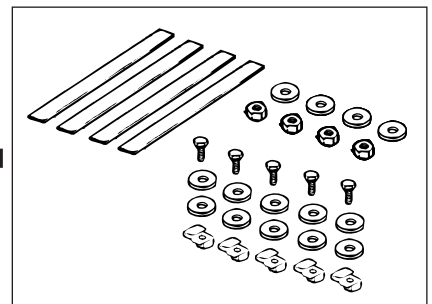
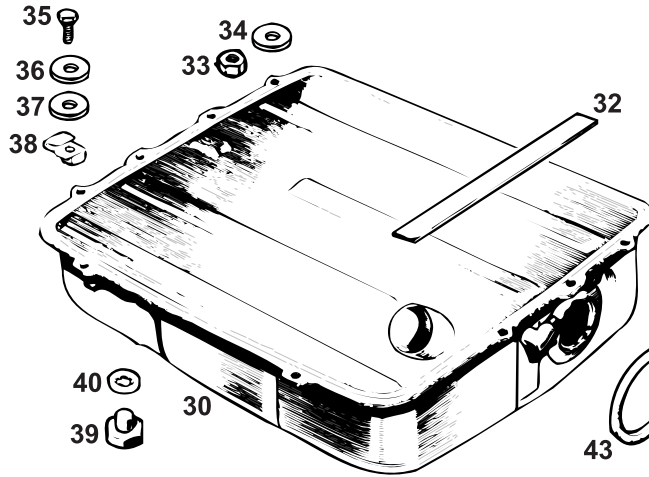
3



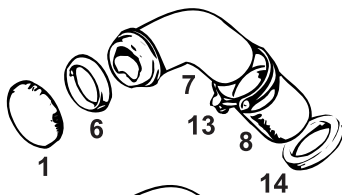
4



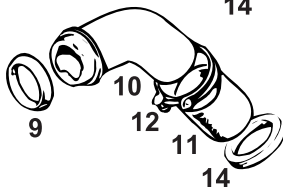
5



31



Chrome Bumper



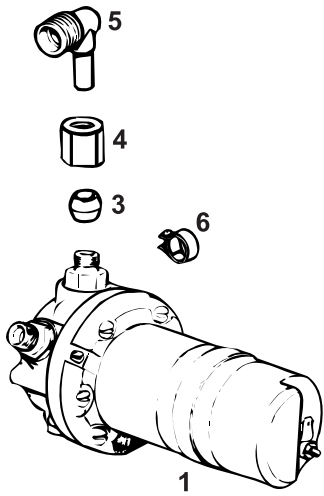
Rubber Bumper



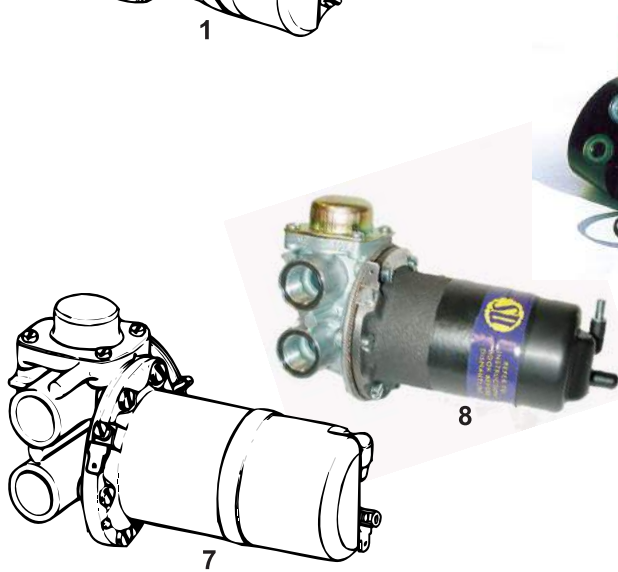
30

1	18G8601	Petrol cap - Original non-locking	1	} Alternative on all cars
2	E021	Petrol cap - Stainless steel - Locking	1	
Stainless steel circular locking petrol cap, for prevention of theft or malicious contamination, produced in the style of the original factory accessory. Also fits all MGB V8, MGC and Midgets.				
3	E020	Petrol cap - RV8 style - Locking	1	} Alternative on all cars
Dome-faced locking cap, in style of original MG RV8 item and early 1960s factory accessory.				
4	E022	Petrol cap - Quick release - non-locking	1	} Alternative on all cars
	E022C	Threaded collar - Quick release petrol cap	1	
Aston style quick release filler cap - looks great on modified cars and provides finishing touch to cars with Sebring bodywork.				
5	E025	Petrol cap - Imitation quick release	1	} Alternative on all cars
Get the best of both worlds - the robust functional style of the Aston quick release cap, but concealing a standard locking cap within.				
6	AHH6268	Filler neck seal	1	} Up to GHN5, GHD5 - 386600
7	AHH6281	Filler pipe	1	
8	BHH191	Hose - Tank to filler pipe	1	} From GHN5, GHD5 - 386601 on - see note below if replacing tank as well
9	BHH2205	Filler neck seal	1	
10	CHA444	Filler pipe	1	} From GHN5, GHD5 - 386601 on - see note below if replacing tank as well
11	BHH2206	Hose - Tank to filler pipe	1	
12	GHC1622	Hose clip - Worm type	2	} From GHN5, GHD5 - 386601 on - see note below if replacing tank as well
13	HCS1622	Hose clip - Wire type	2	
14	AHH7388	Foam seal - Tank to boot floor	1	} From GHN5, GHD5 - 386601 on - see note below if replacing tank as well
15	ARH176	Petrol tank - Strap on	1	
16	ARO4566	Plug - Drain	1	} From GHN5, GHD5 - 386601 on - see note below if replacing tank as well
17	ARH1499	Washer	1	
18	BHA4292	Tank sender unit	1	} From GHN5, GHD5 - 386601 on - see note below if replacing tank as well
19	2H1082	Seal - Cork	1	
20	ARG923	Screw	6	} From GHN5, GHD5 - 386601 on - see note below if replacing tank as well
21	AHH6252	Packing strip	2	
22	AHH6253	Mounting strap	2	} GHN3 - 101 to 48765 (1962-65)
23	BH604181	Bolt	2	
24	GHF221	Nut - Locking	2	} GHN3 - 101 to 48765 (1962-65)
25	GHF300	Washer - Plain	2	
26	AHH6257	Hanger - Rear	2	} GHN3 - 101 to 48765 (1962-65)
27	CLZ427	Clevis Pin	4	
28	GHF300	Washer - Plain	4	} GHN3 - 101 to 48765 (1962-65)
29	GHF500	Split pin	4	
30	NRP2	Petrol tank	1	} GHN3 - 48766 up to GHN5, GHD5 - 386600 (1965-75) From GHN5-415001, GHD5412301 on (1976 on) - see note below
30	NRP1174	Petrol tank	1	
Important note: From GHN5, GHD5-386601 to GHN5-415000, GHD5-412300 (i.e. 1975-76) a different tank, NRP 1132 was originally fitted. This tank is not available and should be replaced by NRP2 or NRP2S together with hose BHH191 and filler pipe AHH6268.				
31	NRP2K	Petrol tank - Fitting kit	1	} Fitted to early NRP2 tanks only. Not fitted to replacement tanks
32	AHH7386	Packing strip	4	
33	GHF222	Nut - Locking	4	} Use with NRP2 tank
34	GHF315	Washer - Plain	4	
35	GHF120	Screw	5	} Use with NRP1174 tank
36	GHF315	Washer - Plain	5	
37	AHC442	Washer - Fibre	5	} Use with NRP1174 tank
38	346071	Nut - Caged	5	
39	ARH672	Plug - Drain	1	} Use with NRP1174 tank
40	ARA967	Washer	1	
41	AHU1027K	Tank sender unit kit	1	} Use with NRP1174 tank
42	AHU1027	Tank sender unit	1	
41	ADU3218K	Tank sender unit kit	1	} Use with NRP1174 tank
42	ADU3218	Tank sender unit	1	
43	ARA1502	Seal - Rubber	1	} Use with NRP1174 tank
44	ARA1501	Locking ring	1	
45	1770	Castrol - Valvemaster Plus	1	} Use with NRP1174 tank
Reduces pinking and knocking or the need to retune the engine when using unleaded fuel (raises octane rating). The 250ml bottle treats 250 litres of fuel.				

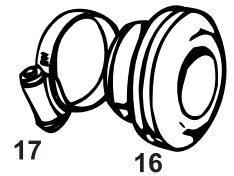
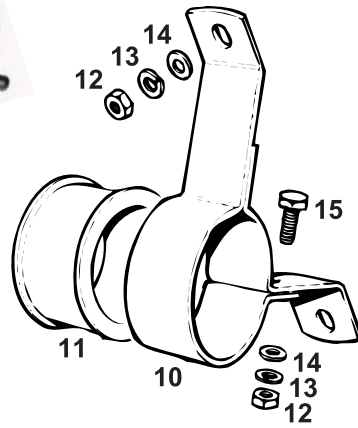
**Telephone: 01954 230928 Fax: 01954 231923, Email: sales@mgocspares.co.uk
Buy Online at www.mgocspares.co.uk**



2



9



16



18



19



20



21



**MGB
& GT
1800**



1	AZX1332	Fuel pump - Positive earth	1
2	AZX1332EP	Fuel pump - Positive earth - Electronic	1
1	AZX1331	Fuel pump - Negative and positive earth	1
2	AZX1331EN	Fuel pump - Negative earth - Electronic	1
3	AUA1486	Olive - Elbow	2
4	AAA17	Nut - Olive	2
5	AUA1478	Elbow	2
6	ACH5854	Clip	A/R

GHN3 - 101 to 44438 (1962-64); see note below

Note: Cars from GHN3 - 101 to GHN3 - 44438 were all originally positive earth, but may have been converted to negative earth. Check before ordering fuel pump.

7	AZX1318	Fuel pump - Positive earth	1
8	AZX1318EP	Fuel pump - Positive earth - Electronic	1
7	AZX1307	Fuel pump - Negative and positive earth	1
8	AZX1307EN	Fuel pump - Negative earth - Electronic	1
9	AZX1307Z	Fuel pump - Negative and positive earth - Electronic - Reproduction	1

GHN3- 44439 on, GHD3 (1964-67); see note below

GHN4, GHD4, GHN5, GHD5 (1968 on); see note below

Note: Originally GHN3 and GHD3 cars were all positive earth, but many have been converted to negative earth. Check before ordering fuel pump. All GHN4/5 and GHD4/5 cars are negative earth.

10	AHH6709	Bracket - Fuel pump	1
11	AHH6708	Grommet	1
12	GHF200	Nut	3
13	GHF331	Washer - Spring	3
14	GHF300	Washer - Plain	3
15	SH605051	Screw	1
16	BHH1635	Grommet - Fuel pump mounting	1
17	GHC1622	Clip - Worm drive	1
18	G060	Performance electric fuel pump kit	1

Chrome bumper

Rubber bumper

Sustains fuel pressure and flow at higher engine speeds and offering greater reliability, pressure and fuel flow. Supplied complete with mounting blocks, unions and filter, ready to install on your MG. Must be used with a fuel regulator G065 or G066, plus in-line fuse holder with 10 amp fuse G061F.

19	G061F	Fuseholder - In-line - With 10A fuse	1
20	G065	Standard fuel regulator	1
21	G066	Performance fuel regulator	1

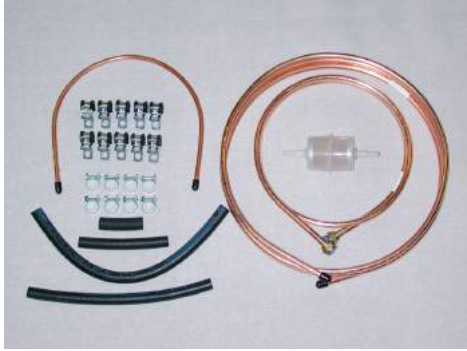
Must be used with G060 Performance Electric Fuel Pump Kit

Controls fuel flow for smooth idle and prevention of overflow. Maintains constant flow at high speeds when used with the performance fuel pump kit. Replacement filter element also available:

G065FE	Filter element - Standard regulator	1
G066FE	Filter element - Performance regulator	1

Telephone: 01954 230928 Fax: 01954 231923, Email: sales@mgocspares.co.uk

Buy Online at www.mgocspares.co.uk



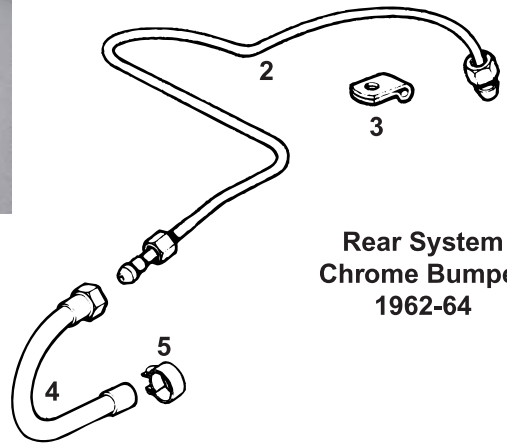
1



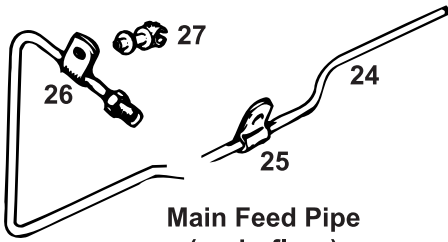
28, 36, 43



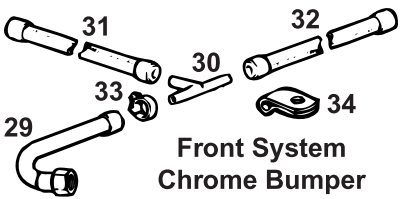
61



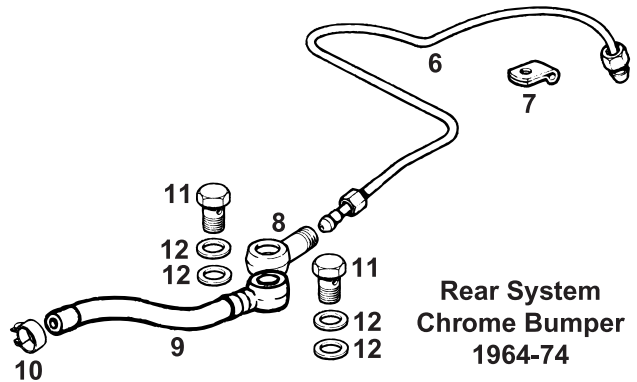
**Rear System
Chrome Bumper
1962-64**



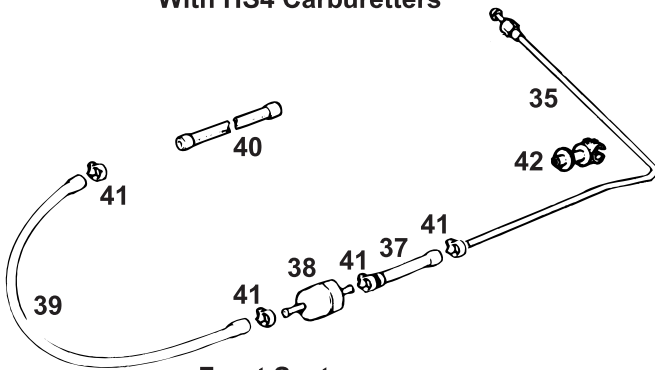
**Main Feed Pipe
(underfloor)**



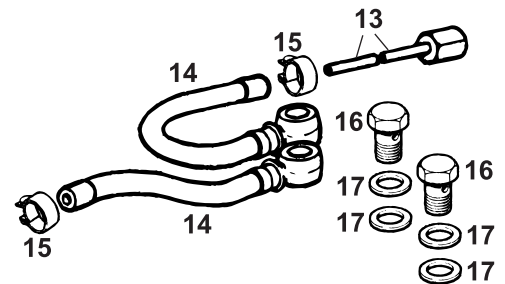
**Front System
Chrome Bumper
With HS4 Carburetters**



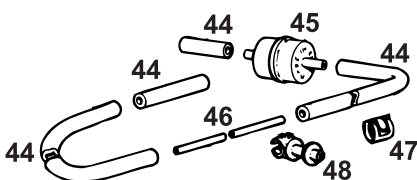
**Rear System
Chrome Bumper
1964-74**



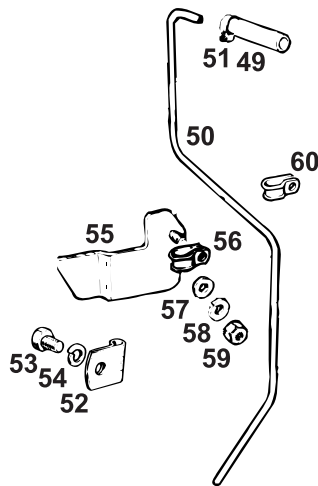
**Front System
Chrome Bumper
With HIF4 Carburetters**



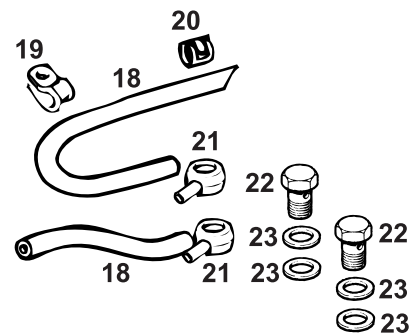
**Rear System
Rubber Bumper
1975 to Sept. 1976**



**Front System
Rubber Bumper
With HIF4 Carburetters**



**Carburettor
Overflow Pipes**



**Rear System
Rubber Bumper
Sept. 1976 On**

We are able to supply fuel line kits containing sufficient tailored length copper pipes, hoses, filter and clips to service the fuel system. Each kit includes a special nut driver for the clips. The malleable standard bore copper piping is easy to shape neatly by hand, looks smart and won't corrode. Please note the kits are not necessarily made up exactly as per original specification in every detail.

1	F060	Fuel line kit	1	HS4 carburetters, 1962-72
1	F062	Fuel line kit	1	HIF4 carburetters, 1972 to Sept. 1976
1	F064	Fuel line kit	1	HIF4 carburetters, Sept. 1976 on
2	AHH6703	Pipe ass'y - Copper - Tank to pump inlet	1	Up to GHN3 - 44438, 1962-64
3	PCR509	Clip - Pipe to boot floor	1	
4	AHH6996	Hose - Petroflex - Braided - Pump outlet	1	
5	ACH5854	Clip - Petroflex hose	1	
6	AHH6703	Pipe ass'y - Copper - Tank to pump inlet	1	
7	PCR509	Clip - Pipe to boot floor	1	Chrome bumper from GHN3 - 44439 on, 1964-74
8	AUC1833	Union - banjo - pump inlet	1	
9	AHH7371	Hose - Petroflex - Pump outlet	1	
10	ACH5854	Clip - Petroflex hose	1	
11	AUC2698	Bolt - banjo	2	
12	AUC2141	Washer - fibre	4	Rubber bumper 1975 to Sept. 1976
13	CPP1001	Pipe ass'y - Copper - Tank to pump inlet	1	
14	AHH7371	Hose - Petroflex - Pump inlet and outlet	2	
15	ACH5854	Clip - Petroflex hose	2	
16	AUC2698	Bolt - banjo	2	
17	AUC2141	Washer - fibre	4	Rubber bumper Sept. 1976 on
18	CDU2283M	Hose - Rubber - Per metre	A/R	
19	PCR809	Clip - Hose to boot floor	1	
20	UKC3794	Clip - Hose to tank, unions and feed pipe	4	
21	BHH1940	Union - Banjo - Pump inlet and outlet	2	
22	AUC2698	Bolt - banjo	2	Remove front union for rubber bumper fitment
23	AUC2141	Washer - fibre	4	
24	AHH6995	Pipe ass'y - Copper - Main feed	1	
25	PCR509	Clip - Pipe to floor	3	
26	PCR507	Clip - Pipe to bulkhead	1	
27	150930	Clip - Pipe to bulkhead	1	Chrome bumper Rubber bumper
28	FLK1	Petroflex hose kit - Engine bay	1	
29	AHH6707	Hose - Petroflex - Main feed to T Piece	1	Chrome bumper with HS4 carburetters, 1962-72
30	12H889	T Piece	1	
31	GGT101	Hose - Petroflex - T piece to rear carb	1	
32	12H722	Hose - Petroflex - T piece to front carb	1	
33	ACH5854	Clip - Petroflex hose	5	
34	12H1001	Clip - Front carb hose securing	1	Chrome bumper with HIF4 carburetters, 1972-74
35	BHH135	Pipe ass'y - Copper - Front feed	1	
36	FLK3	Petroflex hose kit - Engine bay	1	
37	GGT101	Hose - Petroflex - Front feed to filter	1	
38	GFE7004	Filter - Fuel - Disposable	1	
39	BHH641	Hose - Petroflex - Filter to front carb	1	Rubber bumper
40	BHH642	Hose - Petroflex - Front carb to rear carb	1	
41	ACH5854	Clip - Petroflex hose	6	
42	150930	Clip - Pipe to inner wing	2	
43	FLK2	Hose and fuel filter kit - Engine bay	1	
44	CDU2283M	Hose - Rubber - Per metre	A/R	Chrome bumper 1962-68
45	GFE7004	Filter - Fuel - Disposable	1	
46	37H7148M	Pipe - Steel - Per metre	A/R	
47	UKC3794	Clip - Rubber hose	8	
48	150930	Clip - Pipe to inner wing	2	
49	AHH9950	Hose - Carburettor to overflow pipe	2	Chrome bumper 1968-74, Rubber bumper
50	37H7148M	Pipe - Overflow - Carburetters - Per metre	2	
50	12H1251	Pipe - Overflow - Front carburettor	1	Chrome bumper with HS4 carburetters, 1962-64
50	12H1252	Pipe - Overflow - Rear carburettor	1	
51	88G308	Clip - Hose to carburettor and pipe	4	
52	12H853	Clip - Overflow pipe	2	
53	SH605041	Screw - Clip	1	
54	GHF331	Washer - Spring	1	Chrome bumper with HS4 carburetters, 1964-72
55	AHH7382	Bracket - Overflow pipes	1	
56	AHH7355	Clip - Pipes to bracket	1	
57	GHF301	Washer	1	
58	GHF332	Washer - Spring	1	
59	GHF201	Nut	1	Chrome bumper with HIF4 carburetters, 1972-74. Rubber bumper
60	AHH7355	Clip - Pipes to engine mounting or block	1	

High quality chrome fuel filters may be used to replace the original fitment disposable plastic items. Alternatively, for cars without a filter in the fuel system, adding one will help guard against stuck carburettor needle valves and other maladies caused by dirt and other matter in the fuel.

61	G067	Fuel filter - Chrome and toughened glass	1	With 1/4" diameter unions
61	G068	Fuel filter - Chrome and toughened glass	1	With 5/16" diameter unions
	G067FE	Replacement filter elements - Pack of 3	A/R	For chrome fuel filters

A selection of lengths of Petroflex braided fuel hose is also available (they make a great upgrade in a rubber bumper engine bay!).

GGT101	Hose - Petroflex - 2 1/2"	A/R
GGT102	Hose - Petroflex - 6 3/4"	A/R
GGT103	Hose - Petroflex - 7 1/2"	A/R
GGT104	Hose - Petroflex - 10"	A/R
GGT105	Hose - Petroflex - 11 3/4"	A/R
GGT106	Hose - Petroflex - 14"	A/R
GGT107	Hose - Petroflex - 22"	A/R
GGT100	End cap - Petroflex Hose	A/R

Telephone: 01954 230928 Fax: 01954 231923, Email: sales@mgocspares.co.uk

Buy Online at www.mgocspares.co.uk

COOLING:

RADIATORS TO 1976

HOSES TO 1976

RADIATORS 1976 ON

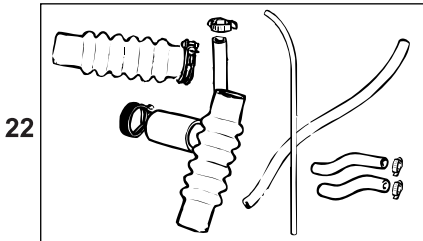
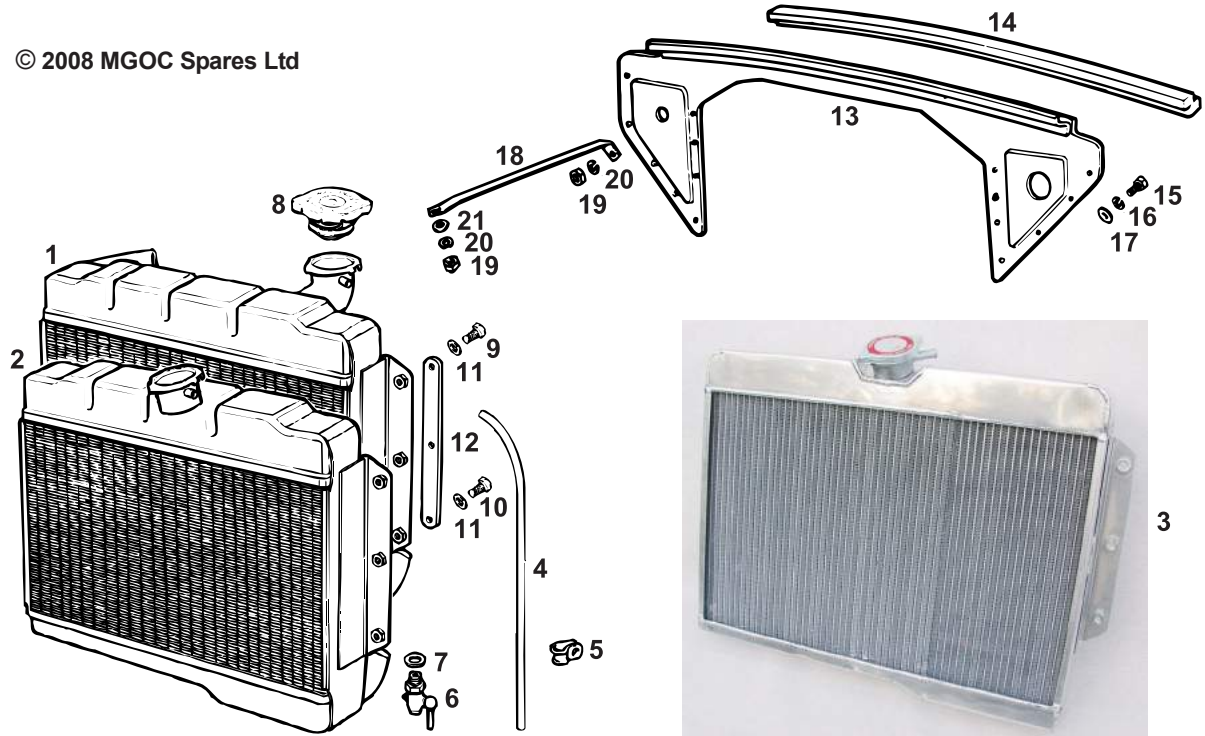
HOSES 1976 ON

EXPANSION TANKS

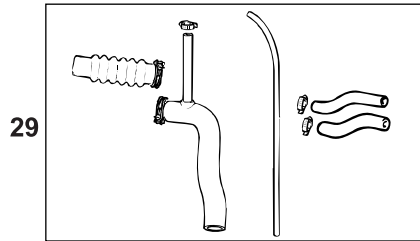
ELECTRIC FANS



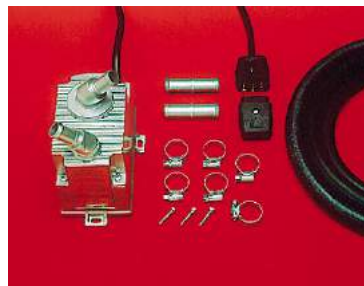
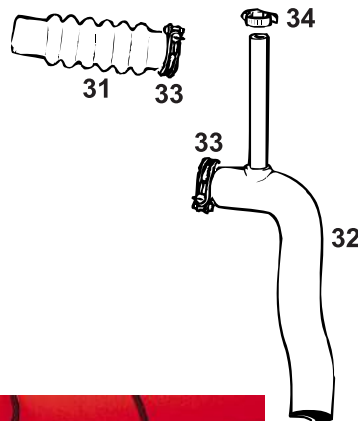
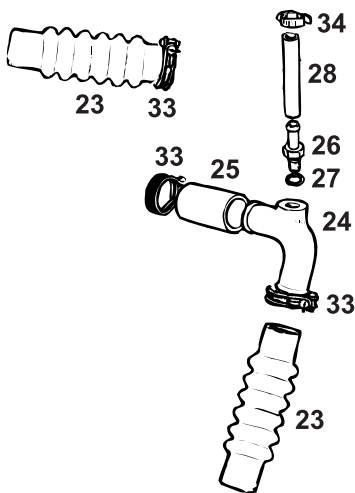
© 2008 MGOC Spares Ltd



18G (-) Series Engines 1962-72



18V Series Engines 1972-76



Cooling Systems Up To Sept. 1976 (mechanical fan systems)

1	ARH260	Radiator - Rear filler - New 1	}	GHN3, GHD3 (3 synchromesh) cars
1	ARH260E	Radiator - Rear filler - Recon Exchange 1		
1	ARH260K	Radiator - New - With cap and Forlife 1		
1	ARH260ALU	Radiator - Rear filler - Aluminium 1		
2	NRP1142	Radiator - Centre filler - New 1	}	GHN4/5, GHD4/5 cars up to Sept. 1976
2	NRP1142E	Radiator - Centre filler - Recon Exchange 1		
2	NRP1142K	Radiator - New - With cap and Forlife 1		
3	NRP1142ALU	Radiator - Centre filler - Aluminium 1		

High efficiency all-aluminium radiators offers greater cooling efficiency, allowing performance cars to run at lower temperatures. The radiator kits (ARH260K and NRP1142K) include a new radiator assembly, complete with filler cap and Forlife fluid, which protects against corrosion and scale, preserves hoses and gives frost protection down to -42°C. Forlife maintains its properties for 10 years.

4	GRH1001M	Overflow hose - Per metre A/R	}	Deleted on later radiators GHN3, GHD3 (3 synchromesh) cars GHN4/5, GHD4/5 chrome bumper cars GHN5, GHD5 rubber bumper cars up to Sept. 1976 See note below Qty. reduced from GHN4, GHD4 - 146506.
5	PCR611	Clip - hose 2		
6	ARH1050	Draintap 1		
7	ARH517	Washer 1		
8	GRC102	Radiator cap - 7 lbs 1		
8	GRC109	Radiatorcap - 10lbs 1		
8	GRC111	Radiator cap - 13 lbs 1		
9	SH605101	Screw - Long - Top - Rad to diaphragm 2		
10	GHF120	Screw - Short - Rad to diaphragm 4/2		
11	GHF332	Washer - Spring 6/4		
12	AHH6320	Packing - Radiator 4/2		

The middle nuts on the radiator were deleted from GHN4, GHD4 - 146506 onwards. Replacement radiators do not have the middle nuts.

13	HZA2327	Diaphragm 1	}	18G (-) series engines 1962-72 MG cooling hose set, reinforced with an integral band of kevlar for added strength and durability.
14	AHH7205	Seal - Diaphragm 1		
15	SH605051	Screw - Diaphragm to body 8		
16	GHF332	Washer - Spring 8		
17	GHF301	Washer - Plain 8		
18	AHH6321	Tie - Radiator - RH 1		
18	AHH6322	Tie - Radiator - LH 1		
19	GHF201	Nut 4		
20	GHF332	Washer - Spring 4		
21	GHF301	Washer - Plain 2		
22	CHK1	Cooling Hose Kit - Kevlar reinforced 1		

23	GRH305	Hose - Top and bottom - Std rubber 2	}	18G (-) series engines 1962-72 18V engines 1972-Sept. 1976 MG cooling hose set, reinforced with an integral band of kevlar for added strength and durability.
24	ACH5031	Elbow - Bottom hose 1		
25	FMK8859	Hose - Water pump to elbow - Std rubber 1		
26	AMK8857	Union - Heater outlet 1		
27	6K638	Washer - Union 1		
28	GRH105	Heater hose - 1/2" bore - 8" long 1		
29	CHK2	Cooling Hose Kit - Kevlar reinforced 1		

30 G382 Cooling hose set - Silicone 1 18V engines 1972-Sept. 1976
Advanced silicone rubber hoses for extended service life and reliability. Supplied with stainless steel band clips.

31	GRH305	Hose - Top - Std rubber 1	}	18V engines 1972-Sept. 1976 Qty's reduce for 18V engines
32	GRH498	Hose - Bottom - Std rubber 1		
33	GHC913	Hose clip - Worm type 6/4		
33	HCS913	Hose clip - Wire type 6/4		
34	GHC406	Hose clip - Worm type 2/1		
34	HCS406	Hose clip - Wire type 2/1		

35 F210 Kenlowe Hot Start 1
Pre-heats engine to normal working temperature before engine is started. Uses 220-240 Volt supply. Benefits include non-use of choke on start up and instant heat from heater.

36 G231 Water Wetter 355ml A/R
Cooling system heat transfer agent; lowers engine temperature by up to 15°C. One bottle treats 15 litres of coolant.

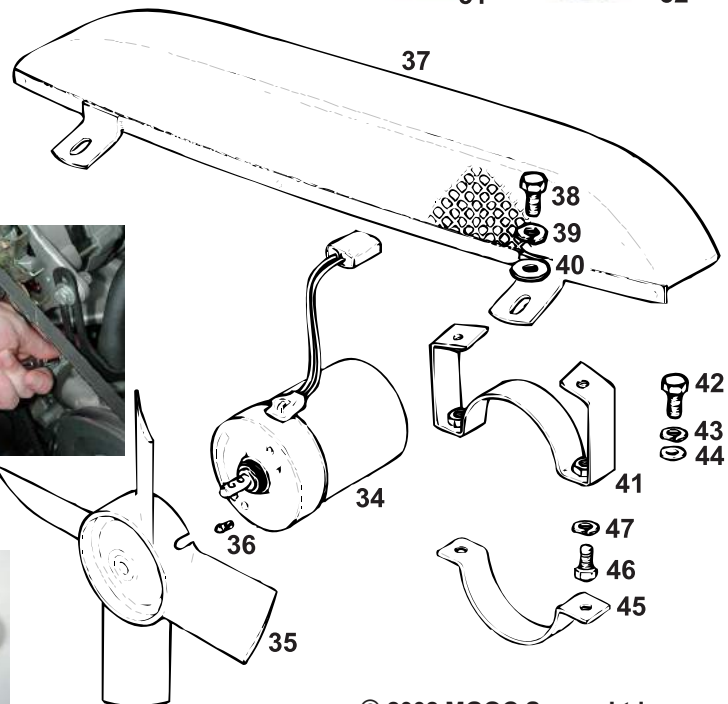
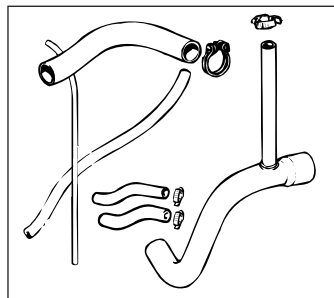
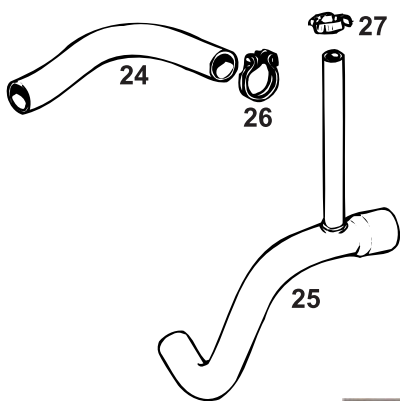
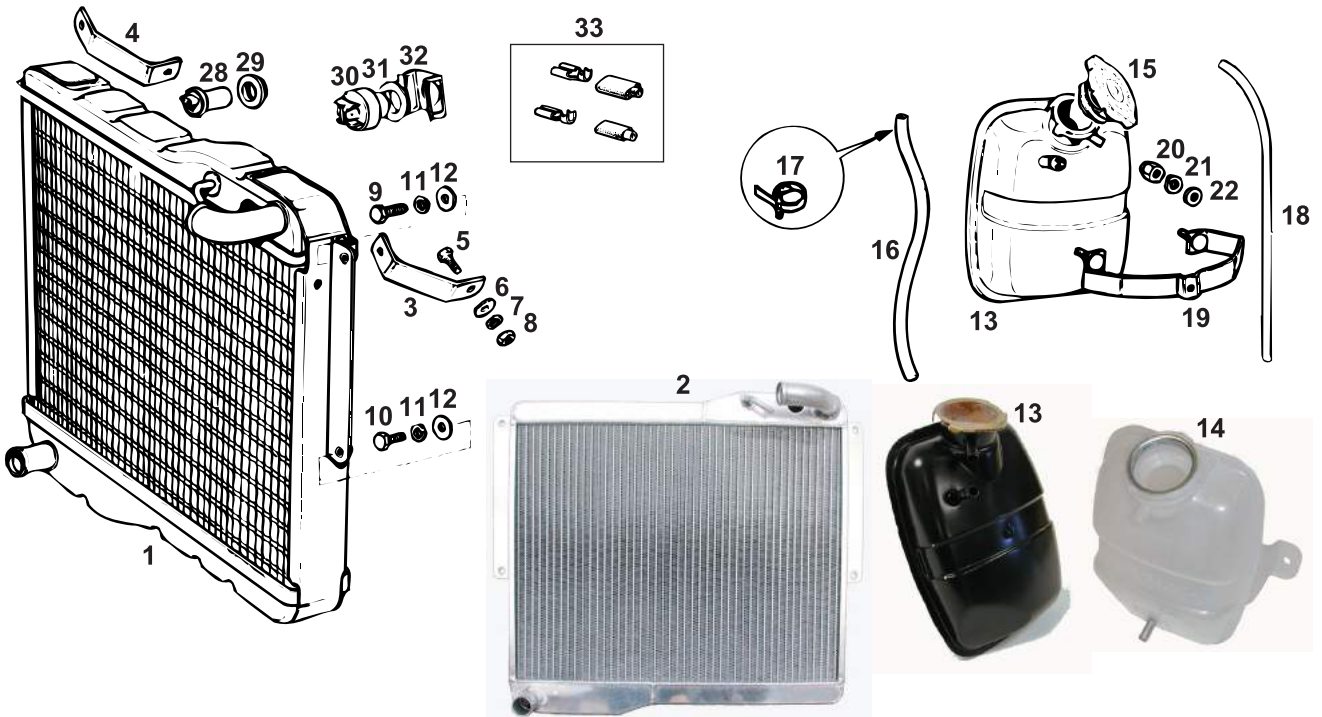
37 G230 Forlife Radiator Fluid A/R
Long-lasting advanced coolant used on road, track and in motor museums over the past twenty years. Provides 10 years of complete long-lasting protection with significant benefits over ordinary anti-freeze/water mixtures and heat transfer agents that require changing annually. High boiling point of 180°C enables coolant levels to remain constant even under arduous or competition conditions (anti-foaming agents eliminate engine hotspots in competition). Anti-freeze protection down to -42°C avoids frost expansion damage even in harsh conditions.

Provides corrosion protection to engine, forming a protective barrier. Colour indicator provides an instant safety check to warn of head gasket failure (Forlife changes colour in the presence of corrosive gasses). Reusable after gasket fault is rectified, returning to its normal colour.

38 Z222 Flexi driver - Hose clip fastening 1 Easy way to deal with hard-to-get-to cooling hose clips



MGB & GT 1800



© 2008 MGOC Spares Ltd

Telephone: 01954 230928 Fax: 01954 231923, Email: sales@mgocspares.co.uk

Cooling System From Sept. 1976 On (electric fan system)

1	NRP1154	Radiator - Electric fan - New	1	} Sept. 1976 on
1	NRP1154E	Radiator - Electric fan - Recon Exchange	1	
1	NRP1154K	Radiator - New - With cap and Forlife	1	
2	NRP1154ALU	Radiator - Electric fan - Aluminium	1	

High efficiency all-aluminium radiators offers greater cooling efficiency, allowing performance cars to run at lower temperatures. The radiator kit (NRP1154K) includes a new radiator assembly, complete with filler cap and Forlife fluid, which protects against corrosion and scale, preserves hoses and gives frost protection down to -42°C. Forlife maintains its properties for 10 years.

3	BHH1052	Tie - Radiator - RH	1	} Sept. 1976 on
4	BHH1304	Tie - Radiator - LH	1	
5	SH605051	Screw - Radiator tie to slam panel	2	
6	GHF301	Washer - Plain	2	
7	GHF332	Washer - Spring	2	
8	GHF201	Nut - Plain	2	
9	SH605071	Screw - Long - Radiator mounting	2	
10	SH605051	Screw - Short - Radiator mounting	2	
11	GHF332	Washer - Spring	4	
12	GHF301	Washer - Plain	4	
13	ARH250	Expansion tank - Metal original	1	
14	AEH259	Expansion tank - Plastic alternative	1	
15	GRC110	Radiatorcap - 15lbs	1	
16	GRH1005M	Hose - Tank to radiator - Per metre	1	
17	21K 8341	Clip - Hose	2	
18	GRH1001M	Hose - Overflow - Per metre	A/R	
19	BHH2132	Strap - Expansion tank	1	
20	GHF222	Nut - Locking	2	
21	GHF332	Washer - Spring	2	
22	GHF301	Washer - Plain	2	
23	CHK3	Cooling Hose Kit - Kevlar reinforced	1	

MG cooling hose set, reinforced with an integral band of kevlar for added strength and durability.

24	GRH592	Hose - Top - Std rubber	1	} Sept. 1976 on
25	GRH641	Hose - Bottom - Std rubber	1	
26	GHC913	Hose clip - Worm type	4	} Sept. 1976 on; use prior to KTP9003. URP1126 switch has pin terminals
26	HCS913	Hose clip - Wire type	4	
27	GHC406	Hose clip - Worm type	1	
27	HCS406	Hose clip - Wire type	1	
28	URP1126	Switch - Fan thermostat	1	
29	URP1027	Seal - Fan switch	1	
30	KTP9003	Switch - Fan thermostat	1	
31	KTP9005	Seal - Fan switch	1	
32	KTP9006	Clip - Switch seal	1	
33	KTP9003K	Terminal kit - Fan thermostat switch	1	
34	ALU1081	Fan motor	1	} Sept. 1976 on
35	13H8238	Fan blade	1	
36	37H8572	Screw - Fan to Motor Shaft	2	
37	BHH1305	Guard - Fan blade	1	
38	SH604041	Screw	2	
39	GHF331	Washer - Spring	2	
40	GHF300	Washer - Plain	2	
41	BHH1028	Motor bracket	1	
42	SH604041	Screw	2	
43	GHF331	Washer - Spring	2	
44	GHF300	Washer - Plain	2	
45	BHH1029	Clamp - Lower	1	
46	SH604041	Screw	2	
47	GHF331	Washer - Spring	2	
48	F210	Kenlowe Hot Start	1	

Pre-heats engine to normal working temperature before engine is started. Uses 220-240 Volt supply. Benefits include non-use of choke on start up and instant heat from heater.

49	G113	Kenlowe Fan Kit	1	Sept. 1976 on
----	------	-----------------	---	---------------

High-efficiency alternative to factory fitment electric fan.

50	G118	Thermo Switch	1	Fits in top hose to activate fan when required.
----	------	---------------	---	---

51	G231	Water Wetter 355ml	A/R
----	------	--------------------	-----

Cooling system heat transfer agent; lowers engine temperature by up to 15°C. One bottle treats 15 litres of coolant.

52	G230	Forlife Radiator Fluid	A/R
----	------	------------------------	-----

Long-lasting advanced coolant used on road, track and in motor museums over the past twenty years. Provides 10 years of complete long-lasting protection with significant benefits over ordinary anti-freeze/water mixtures and heat transfer agents that require changing annually. High boiling point of 180°C enables coolant levels to remain constant even under arduous or competition conditions (anti-foaming agents eliminate engine hotspots in competition). Anti-freeze protection down to -42°C avoids frost expansion damage even in harsh conditions. Provides corrosion protection to engine, forming a protective barrier. Colour indicator provides an instant safety check to warn of head gasket failure (Forlife changes colour in the presence of corrosive gasses). Reusable after gasket fault is rectified, returning to its normal colour.

53	Z222	Flexi driver - Hose clip fastening	1	Easy way to deal with hard-to-get-to cooling hose clips
----	------	------------------------------------	---	---

EXHAUST:

SYSTEMS

TAIL PIPES

MANIFOLDS

FITTING KITS

BANDAGE

PASTE

PAINT





1



2



11



3



4



12



13



5



6



14



15



8



9



16



10



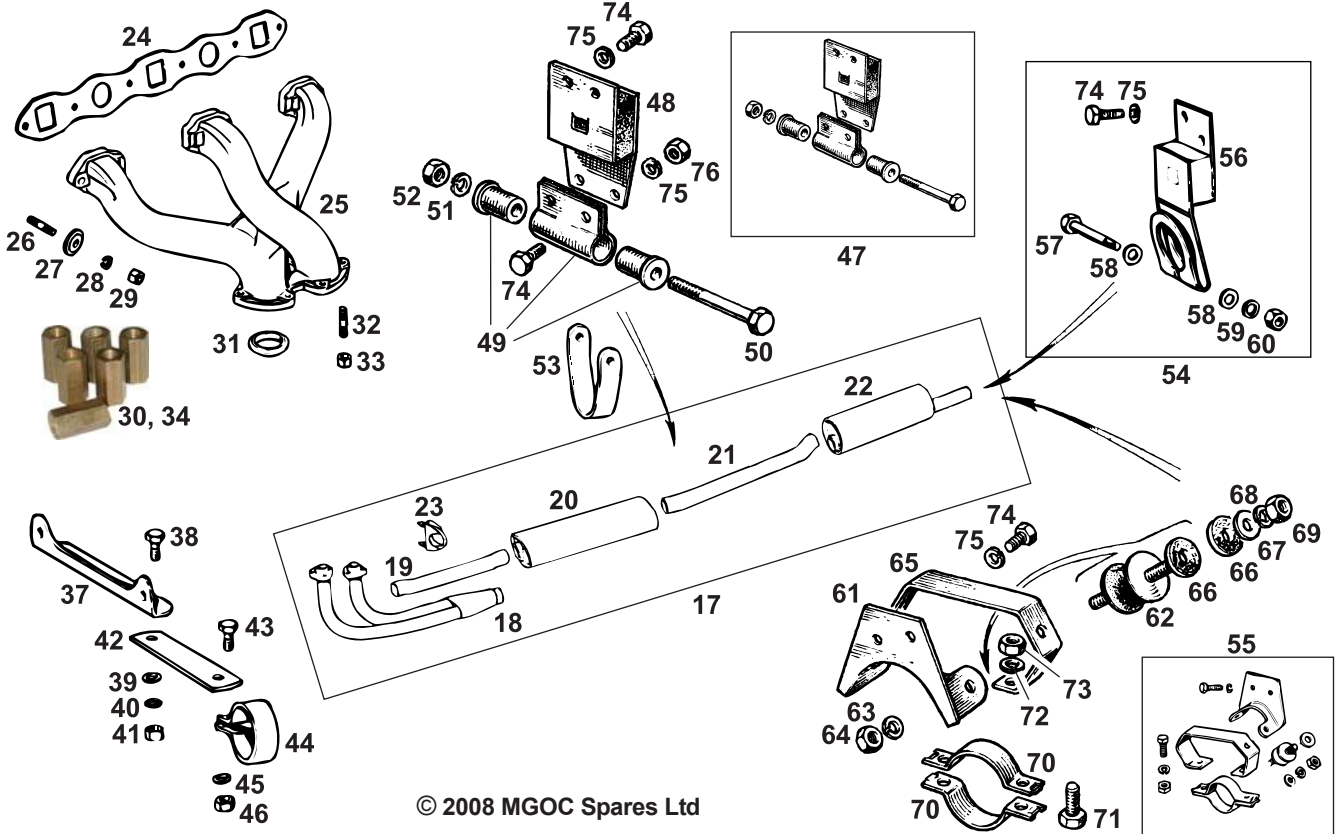
7



35



36



© 2008 MGOC Spares Ltd

Choose from the widest range of finest quality stainless steel exhaust systems, manufactured by Double S Exhausts, Britain's premier stainless exhaust manufacturer. Made from 309 and 401 grade stainless steel with mirror finish silencers, each system is produced to accurate tolerances for easy DIY fitment and comes with a lifetime guarantee.

- | | | | |
|---|------|---|-----------------|
| 1 | B028 | Supersports rear silencer - Stainless 1 | Single tailpipe |
| 2 | B029 | Supersports rear silencer - Stainless 1 | Twin tailpipe |

Supersports rear silencers include 3" diameter rolled edge tail pipes and the silencers and tail pipes are in mirror finish stainless steel. They are also available in complete systems B013 to B020 (see below).

- | | | | |
|---|------|---|---------------|
| 3 | B001 | System - standard - Stainless 1 | Chrome bumper |
| 3 | B002 | System - standard - Stainless 1 | Rubber bumper |
| 4 | B004 | System - Bomb centre box - Stainless 1 | Chrome bumper |
| 4 | B005 | System - Bomb centre box - Stainless 1 | Rubber bumper |
| 5 | B008 | System - Sports free flow - Stainless 1 | Chrome bumper |
| 5 | B009 | System - Sports free flow - Stainless 1 | Rubber bumper |

Sports Free Flow systems for MGB and GT, each incorporating a smaller bomb centre box and twin polished tail pipes. Low back pressure, for extra bhp.

- | | | | |
|---|-------|--|------------------|
| 6 | B010 | System - Slimline - Stainless 1 | Chrome bumper |
| 6 | B011 | System - Slimline - Stainless 1 | Rubber bumper |
| 7 | B012 | Manifold - Performance - Stainless 1 | Right hand drive |
| 7 | B012L | Manifold - Performance - Stainless 1 | Left hand drive |

Gas-flowed tubular manifolds in stainless steel, designed to couple to existing exhaust system.

- | | | | |
|---|--------|---------------------------------------|--|
| 8 | B013 | Complete performance pack 1 | Chrome bumper, with std. centre box and std single tail pipe |
| 8 | B013S1 | Complete performance pack 1 | Chrome bumper, with std. centre box and Supersports single tail pipe |
| 8 | B014 | Complete performance pack 1 | Rubber bumper, with std. centre box and std single tail pipe |
| 8 | B014S1 | Complete performance pack 1 | Rubber bumper, with std. centre box and Supersports single tail pipe |
| 8 | B015 | Complete performance pack 1 | Chrome bumper, with bomb centre box and std single tail pipe |
| 8 | B015S1 | Complete performance pack 1 | Chrome bumper, with bomb centre box and Supersports single tail pipe |
| 8 | B016 | Complete performance pack 1 | Rubber bumper, with bomb centre box and std single tail pipe |
| 8 | B016S1 | Complete performance pack 1 | Rubber bumper, with bomb centre box and Supersports single tail pipe |

Complete performance packs include stainless manifold and system incorporating single tail pipe and either bomb or standard centre box.

- | | | | |
|---|--------|---|--|
| 9 | B017 | Complete performance pack - Free flow . . 1 | Chrome bumper, free flow with std. centre box |
| 9 | B017S2 | Complete performance pack - Free flow . . 1 | Chrome bumper, with std. centre box and Supersports twin tail pipe |
| 9 | B018 | Complete performance pack - Free flow . . 1 | Rubber bumper, free flow with std. centre box |
| 9 | B018S2 | Complete performance pack - Free flow . . 1 | Rubber bumper, with std. centre box and Supersports twin tail pipe |
| 9 | B019 | Complete performance pack - Free flow . . 1 | Chrome bumper, free flow with bomb centre box |
| 9 | B019S2 | Complete performance pack - Free flow . . 1 | Chrome bumper, with bomb centre box and Supersports twin tail pipe |
| 9 | B020 | Complete performance pack - Free flow . . 1 | Rubber bumper, free flow with bomb centre box |
| 9 | B020S2 | Complete performance pack - Free flow . . 1 | Rubber bumper, with bomb centre box and Supersports twin tail pipe |

Sports free flow complete performance packs include stainless manifold and system incorporating either bomb or standard centre box.

- | | | | |
|----|------|--|--|
| 10 | B022 | Complete performance pack - Big bore . . . 1 | |
|----|------|--|--|
- Big bore complete performance pack includes stainless three branch performance manifold and 2" diameter pipework system with single rear silencer.

Club mild steel exhausts are made from 18 gauge heavy duty steel for extra strength and durability. They are guaranteed for 15 months. Sports systems are designed for optimum performance and increased bhp.

- | | | | |
|----|------|---|--|
| 11 | C001 | System - Improved Club special - Mild steel . 1 | |
|----|------|---|--|
- The improved Club special exhaust fits both chrome and rubber bumper cars. The bomb centre box is of heavy duty design, while the rear box incorporates twin walls and skid plates and is dense fibre insulation packed.

- | | | | |
|----|------|---|--|
| 12 | C004 | System - Sports twin - Mild steel 1 | |
|----|------|---|--|
- With bomb centre box, heavy duty rear box and twin chrome tail pipes

- | | | | |
|----|------|---|--|
| 13 | C002 | Manifold - Performance - Mild steel 1 | |
|----|------|---|--|
- Improves gas flow and thus performance. Promotes smoother running.

- | | | | |
|----|------|---------------------------------------|--|
| 14 | C003 | Complete performance pack 1 | |
|----|------|---------------------------------------|--|
- Includes mild steel three branch performance manifold, bomb centre box and standard rear box.

- | | | | |
|----|------|---|--|
| 15 | C005 | Complete performance pack - Sports twin . 1 | |
|----|------|---|--|
- Includes mild steel three branch performance manifold, bomb centre box and heavy duty rear box with twin chrome tail pipes.

- | | | | |
|----|------|---|--|
| 16 | C008 | Complete performance pack - Road race . 1 | |
|----|------|---|--|
- Includes mild steel three branch manifold, big bore pipework and large single box with skid plates. Intended for fast road and track use, the pack comes with a 12 month guarantee. The exhaust system and manifold are also available separately.

- | | | | |
|----|-----------|---|---------------------------|
| 17 | GEX130 | System - Original style - Mild steel - 1 Piece 1 | Chrome bumper |
| 17 | GEX162 | System - Original style - Mild steel - 1 Piece 1 | Rubber bumper |
| 18 | GEX3263 | Down pipe - Original style - Mild steel 1 | } Chrome or rubber bumper |
| 19 | GEX1316 | Front interpipe - Original style - Mild steel . 1 | |
| 20 | GEX3393 | Centre silencer - Original style - Mild steel . 1 | } Chrome bumper only |
| 21 | GEX1321 | Rear interpipe - Original style - Mild steel . 1 | |
| 22 | GEX3429 | Rear silencer - Original style - Mild steel . . 1 | |
| 23 | GEX9008 | Clamp - 1 7/8 in A/R | |
| 24 | GUG4013MG | Gasket - Manifold 1 | |



1



2



11



3



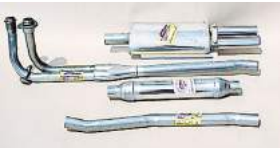
4



12



13



5



6



14



15



8



9



16



10



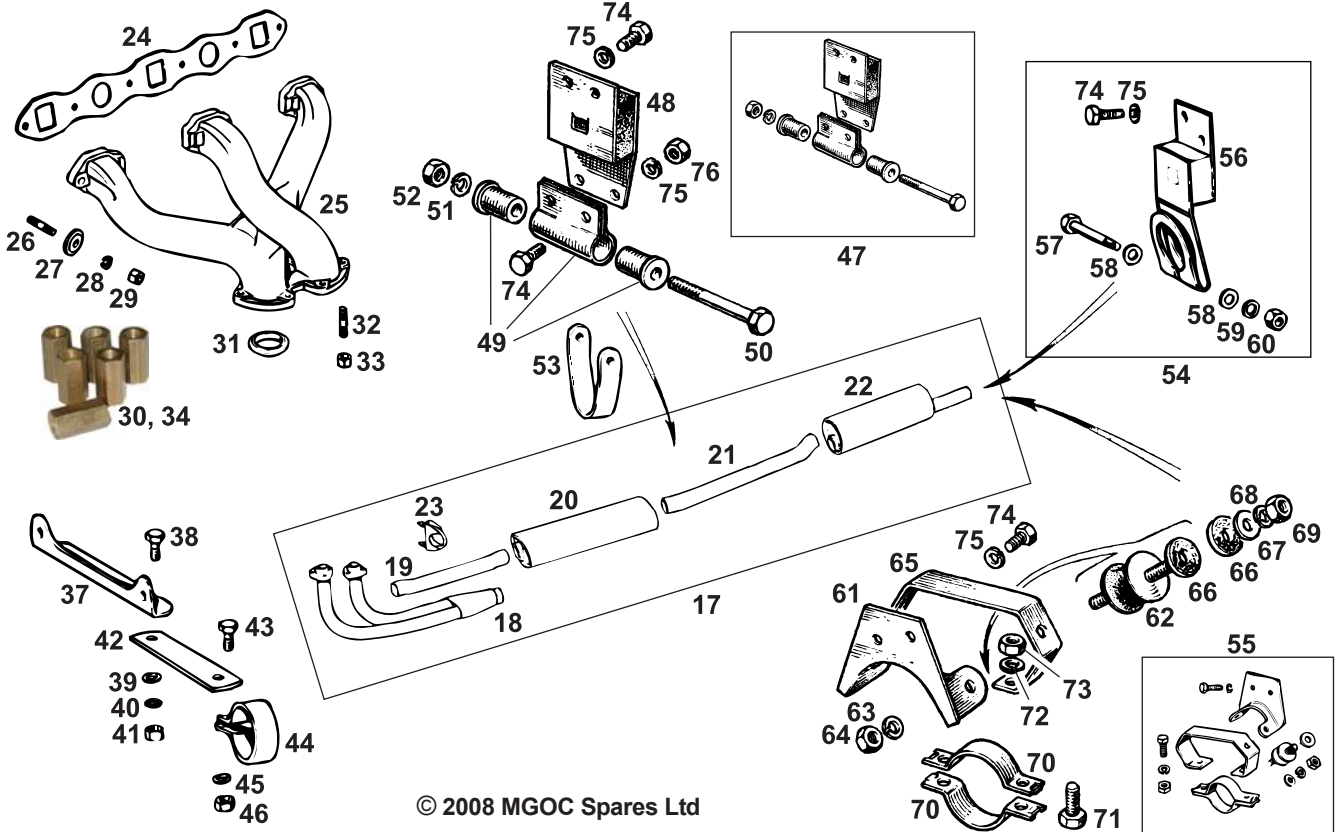
7



35



36



© 2008 MGOC Spares Ltd



**MGB
& GT
1800**



25	12H709SR	Manifold - Exhaust - Thick flange - Recon	.1	18G (-) series
25	12H3911SR	Manifold - Exhaust - Thin flange - Recon	.1	18V series
26	FHS2513	Stud - Manifold to head - Outer	.2	} 18G (-) series
26	FHS2515	Stud - Manifold to head - Inner	.4	
26	FHS2513	Stud - Manifold to head	.6	18V series
27	1G2418	Washer - Thick	.4	
28	GHF332	Washer - Spring	.6	
29	GHF261	Nut - Brass	.6	
30	51K1177	Nut - Brass - 5/16" - UNF - Long	.6	Easier to access than standard length nuts.
31	GEG753	Downpipe seal	.2	
32	CHS2513	Stud - Downpipe	.6	
33	GHF261	Nut - Brass	.6	
34	51K1177	Nut - Brass - 5/16" - UNF - Long	.6	Alternative

Exhaust mounting kits includes clamps, mountings and fixings. The kits are specifically tailored for each model and exhaust system and take the hard work out of determining what you need - simply choose your exhaust system, then cast your eye down this list to choose the relevant mounting kit.

35	C100	Mounting kit - Standard dimension system	.1	Chrome bumper, 1962-70 (with pinch clamp rear mounting)
36	C101	Mounting kit - Standard dimension system	.1	Chrome bumper, 1970-74 (with saddle rear mounting); will replace C100
36	C102	Mounting kit - Standard dimension system	.1	Rubber bumper (with saddle rear mounting)
36	C103	Mounting kit - Free flow system	.1	Chrome bumper (for B008 system)
36	C104	Mounting kit - Free flow system	.1	Rubber bumper (for B009 system)
35	C105	Mounting kit - Performance pack systems	.1	Chrome bumper, 1962-70 (for B013, B015 and C003 systems)
36	C106	Mounting kit - Performance pack systems	.1	Chrome bumper, 1970-74 (for B013, B015 and C003 systems)
36	C107	Mounting kit - Performance pack systems	.1	Rubber bumper (for B014, B016 and C003 systems)
36	C108	Mounting kit - Free flow perf. pack systems	1	Chrome bumper (for B017 and B019 systems)
36	C109	Mounting kit - Free flow perf. pack systems	1	Rubber bumper (for B018 and B020 systems)
35	C112	Mounting kit - Club special system	.1	Chrome bumper, 1962-70 (for C001 system)
36	C113	Mounting kit - Club special system	.1	Chrome bumper, 1970-74 (for C001 system)
36	C114	Mounting kit - Club special systems	.1	Rubber bumper (for C001 system)
36	C115	Mounting kit - Sports twin system	.1	Chrome and rubber bumper (for C004 system)
36	C116	Mounting kit - Performance pack system	.1	Chrome and rubber bumper (for C005 system)
36	C117	Mounting kit - Road race perf. pack system	1	Chrome bumper (for C008 system)
36	C118	Mounting kit - Road race perf. pack system	1	Rubber bumper (for C008 system)
36	C117SS	Mounting kit - Big bore perf. pack system	.1	Chrome bumper (for B022 system)
36	C118SS	Mounting kit - Big bore perf. pack system	.1	Rubber bumper (for B022 system)
37	GEX7189	Bracket - Exhaust to gearbox	.1	3 synchro gearbox
37	GEX7190	Bracket - Exhaust to gearbox	.1	4 synchro gearbox, chrome bumper
37	BHH1542	Bracket - Exhaust to gearbox	.1	4 synchro gearbox, rubber bumper
38	GHF120	Screw	.1	
39	GHF301	Washer - Plain	.1	
40	GHF332	Washer - Spring	.1	
41	GHF201	Nut	.1	
42	GEX7194	Strap	.1	
43	GHF103	Screw	.1	
44	GEX7074	Clip - Downpipe	.1	
45	GHF332	Washer - Spring	.1	
46	GHF201	Nut	.1	
47	EFK1	Mounting kit - Intermediate	.1	} Included in intermediate mounting kit
48	GEX7204	Mounting - Intermediate	.1	
49	GEX7182K	Bush and bracket kit	.1	
50	BH605221	Bolt	.1	
51	GHF332	Washer - Spring	.1	
52	GHF201	Nut	.1	
53	GEX7191	U bracket - Intermediate mounting	.1	Mild steel
53	BMG100	U bracket - Intermediate mounting	.1	Stainless steel
54	EFK2	Mounting kit - Rear	.1	Chrome bumper, 1962-70 (pinch clamp rear mounting)
55	EFK3	Mounting kit - Rear	.1	Chrome bumper, 1970-74 (saddle rear mounting); will replace EFK2
55	EFK4	Mounting kit - Rear	.1	Rubber bumper (saddle rear mounting)
56	GEX7275	Bracket - Mounting - Rear	.1	} Chrome bumper, 1962-70
57	BH604221	Bolt - Pinch - Rear mounting	.1	
58	GHF300	Washer - Plain	.2	
59	GHF331	Washer - Spring	.1	} Chrome bumper, 1970-74 Rubber bumper
60	GHF200	Nut	.1	
61	GEX7201	Bracket - Mounting - Rear	.1	
61	GEX7442	Bracket - Mounting - Rear	.1	} Chrome bumper, 1970-74; rubber bumper
62	GEX7251	Rubber - Mounting - Rear	.2	
63	GHF332	Washer - Spring	.2	
64	GHF201	Nut	.2	
65	GEX7202	Bracket - Hanger - Rear	.1	
66	AHC442	Washer - Insulation	.4	
67	PWZ205	Washer - Plain	.2	
68	GHF332	Washer - Spring	.2	
69	GHF201	Nut	.2	
70	GEX7252	Saddle - Rear	.2	
71	SH605071	Screw - Saddle to hanger	.2	
72	GHF332	Washer - Spring	.2	
73	GHF201	Nut	.2	
74	GHF117	Screw - Rear and intermediate mountings	.6	
75	GHF331	Washer - Spring	.6	
76	GHF200	Nut - Intermediate mounting	.2	



**MGB
& GT
1800**



1



4

5



7

6



2



3



8



9



10



11



12

© 2008 MGOC Spares Ltd

Telephone: 01954 230928 Fax: 01954 231923, Email: sales@mgocspares.co.uk



**MGB
& GT
1800**



1 C068 Exhaust - Aluminum cloth - 1m x 1m 1
This aluminised fabric sheeting has a multitude of uses, including engine bay and bonnet protection.

2 C061 Exhaust - Manifold wrap 1
Thermal protection plus extra horsepower! Easy to fit, using C067 Wrap Fixings Set.

3 C067	Exhaust wrap fix set 1	
4 C070	Exhaust tail trim - Chrome - Straight 1	} Standard diameter exhausts
5 C071	Exhaust tail trim - Chrome - Curved 1	
6 C080	Exhaust tail trim - Stainless - Lipped 1	} Big bore exhausts
7 C083	Exhaust tail trim - Stainless - Lipped 1	

These tail trims are of excellent quality and come in a choice of chrome (C070 and C071) or stainless steel (C080).

8 C097 Exhaust jointing seal 1
9 C050 High Temperature Exhaust Paint - Silver A/R
10 C053 High Temperature Exhaust Paint - White A/R
11 C051 High Temperature Exhaust Paint - Black A/R
12 C052 High Temperature Exhaust Paint - Red A/R

**Telephone: 01954 230928 Fax: 01954 231923, Email: sales@mgocspares.co.uk
Buy Online at www.mgocspares.co.uk**

TRANSMISSION:

3 SYNCHRO GEARBOX

3 SYNCHRO INTERNAL

3 SYNCHRO OVERDRIVE

5 SPEED CONVERSION (EARLY)

4 SYNCHRO GEARBOX

4 SYNCHRO INTERNAL

4 SYNCHRO OVERDRIVE

5 SPEED CONVERSION (LATE)

AUTOMATIC GEARBOX

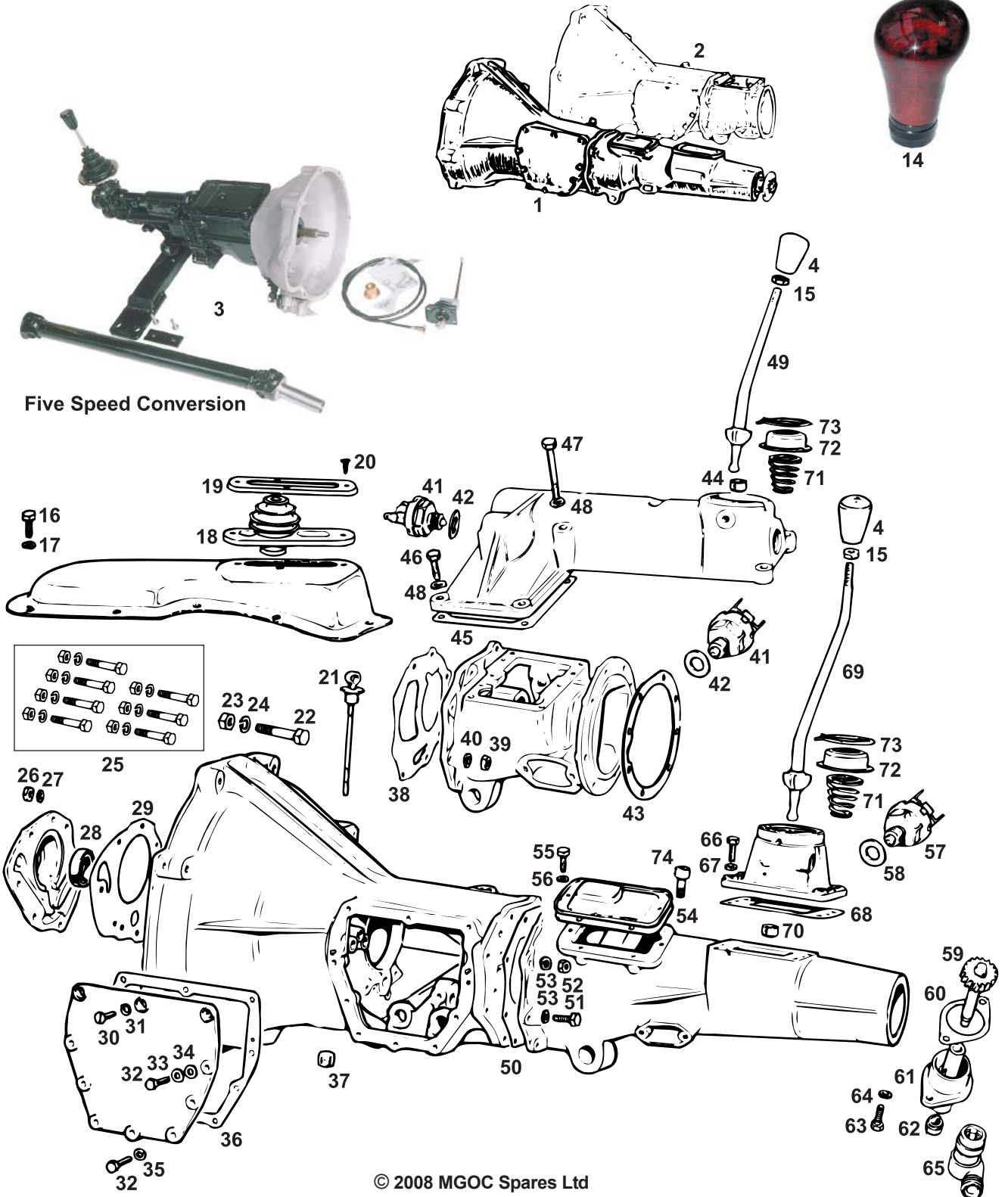




MGB
& GT
1800



Five Speed Conversion



© 2008 MGOC Spares Ltd

Telephone: 01954 230928 Fax: 01954 231923, Email: sales@mgocspares.co.uk



**MGB
& GT
1800**



3 Synchronmesh Gearbox (1962-67) External Components

1	22H211E	Gearbox - Recon. - Non-overdrive	1
1	22H211QE	Gearbox - Recon. - Non-overdrive	1
2	22H209E	Gearbox - Recon. - Overdrive	1
2	22H209QE	Gearbox - Recon. - Overdrive	1
1	22H538E	Gearbox - Recon. - Non-overdrive	1
1	22H538QE	Gearbox - Recon. - Non-overdrive	1
2	22H539E	Gearbox - Recon. - Overdrive	1
2	22H539QE	Gearbox - Recon. - Overdrive	1

18G, GA (3 main bearing). One for one exchange Application as per 22H211E. Includes increased number of new parts, over and above standard reconditioning scheme.
18G, GA (3 main bearing). Overdrive not included. Customer's own unit Application as per 22H209E. Includes increased number of new parts, over and above standard reconditioning scheme.
18GB (5 main bearing). One for one exchange Application as per 22H538E. Includes increased number of new parts, over and above standard reconditioning scheme.
18GB (5 main bearing). Overdrive not included. One for one exchange Application as per 22H539E. Includes increased number of new parts, over and above standard reconditioning scheme.

Five speed conversion kits comprise a new bell housing, gearbox crossmember, propshaft, speedo cable, mountings, fittings and installation instructions. Offering relaxed cruising in 5th gear, this gearbox conversion also features better acceleration due to a higher 2nd gear and improved overall fuel economy - plus, of course, the great benefit of synchronmesh on all forward gears. The 5th gear ratio is exactly the same as the MGB overdrive 4th ratio. The Type 9 Ford Sierra gearbox is not included with the 5 speed conversion kits; it is available from stock as a reconditioned outright sale with new bearings, seals, gaskets and selected serviceable components.

3	G806E	Gearbox - Recon. - Sierra Type - 5 Speed	1
3	G828	Gearbox - 5 Speed Conversion Kit	1
3	G829	Gearbox - 5 Speed Conversion Kit	1
3	G830	Gearbox - 5 Speed Conversion kit	1
3	G831	Gearbox - 5 Speed Conversion kit	1
3	G835	Gearbox - 5 Speed Conversion kit	1
3	G836	Gearbox - 5 Speed Conversion kit	1

Outright purchase (not exchange)
Up to 1964, RHD
Up to 1964, LHD
1965 to 1967, banjo axle roadster, RHD
1965 to 1967, banjo axle roadster, LHD
1965 to 1967, tube axle, RHD
1965 to 1967, tube axle, LHD

4	1G3706	Gear knob - Standard	1
5	R280	Gear knob - Wood	1
6	R281	Gear knob - Leather - Black	1
7	R282	Gear knob - Leather - Tan	1
8	R283	Gear knob - Metal - Silver	1
9	R285AA	Gear knob - Leather - Black - M Range	1
10	R382	Gear knob - Momo - Sport	1
11	R385	Gear knob - Momo - F16 - Leather/alloy	1
12	R387	Gear knob - Momo - Race - Leather/alloy	1
13	R388	Gear knob - Momo - Race - Leather	1

Whilst every effort is made to maintain a consistent range of gear knobs, please note that Momo gear knob styles are subject to change without prior notice. Please contact our MGOC Accessories team for advice on current products and availability.

14	S065	Gear Knob - Walnut	1
15	FNP205	Locknut - Gearknob	1
16	SH604041	Screw - Gearbox tunnel cover	1
17	GHF331	Washer - Spring	11
18	AHH7170	Grommet - Gearlever	1
19	AHH6486	Ring - Gearlever - chrome	1
20	RTP1006	Screw - Self tapping	4
21	1G3802	Dipstick - Oil	1
22	BH605101	Bolt	1
22	BH605151	Bolt	2
22	BH605201	Bolt	4
23	GHF201	Nut	7
24	GHF332	Washer - Spring	7
25	MBK101	Bolt kit - Gearbox to engine (comprising of parts 9 to 11)	1
26	GHF201	Nut	7
27	GHF332	Washer - Spring	7
28	88G545	Oil seal - Front cover	1
29	1G3666	Gasket - Front cover	1
30	53K162	Screw - C/sunk	3
31	6K9012	Washer - Shakeproof	3
32	SH505071	Screw	7
33	GHF301	Washer - Plain	1
34	2K4958	Washer - Fibre	1
35	GHF332	Washer - Spring	6
36	1G3658	Gasket - Side cover	1
37	2K5830	Drain plug	1
38	1G3712	Gasket - Casing to Adaptor	1
39	GHF201	Nut	8
40	GHF332	Washer - Spring	8
41	BAU1074	Switch - Overdrive isolation/reverse lights	2
42	1B3664	Washer - Fibre	2
43	37H1901	Gasket - Overdrive	1
44	22H15	Bush - Gearlever	1
45	22H168	Gasket - Remote housing	1
46	SH505081	Screw - Remote housing	4
47	BH505201	Bolt - Remote housing	2
48	GHF332	Washer - Spring	6
49	22H251	Gearlever	1

Gearbox bellhousing to engine backplate

Gearbox front cover

Gearbox side cover

Overdrive gearbox

Telephone: 01954 230928 Fax: 01954 231923, Email: sales@mgocspares.co.uk

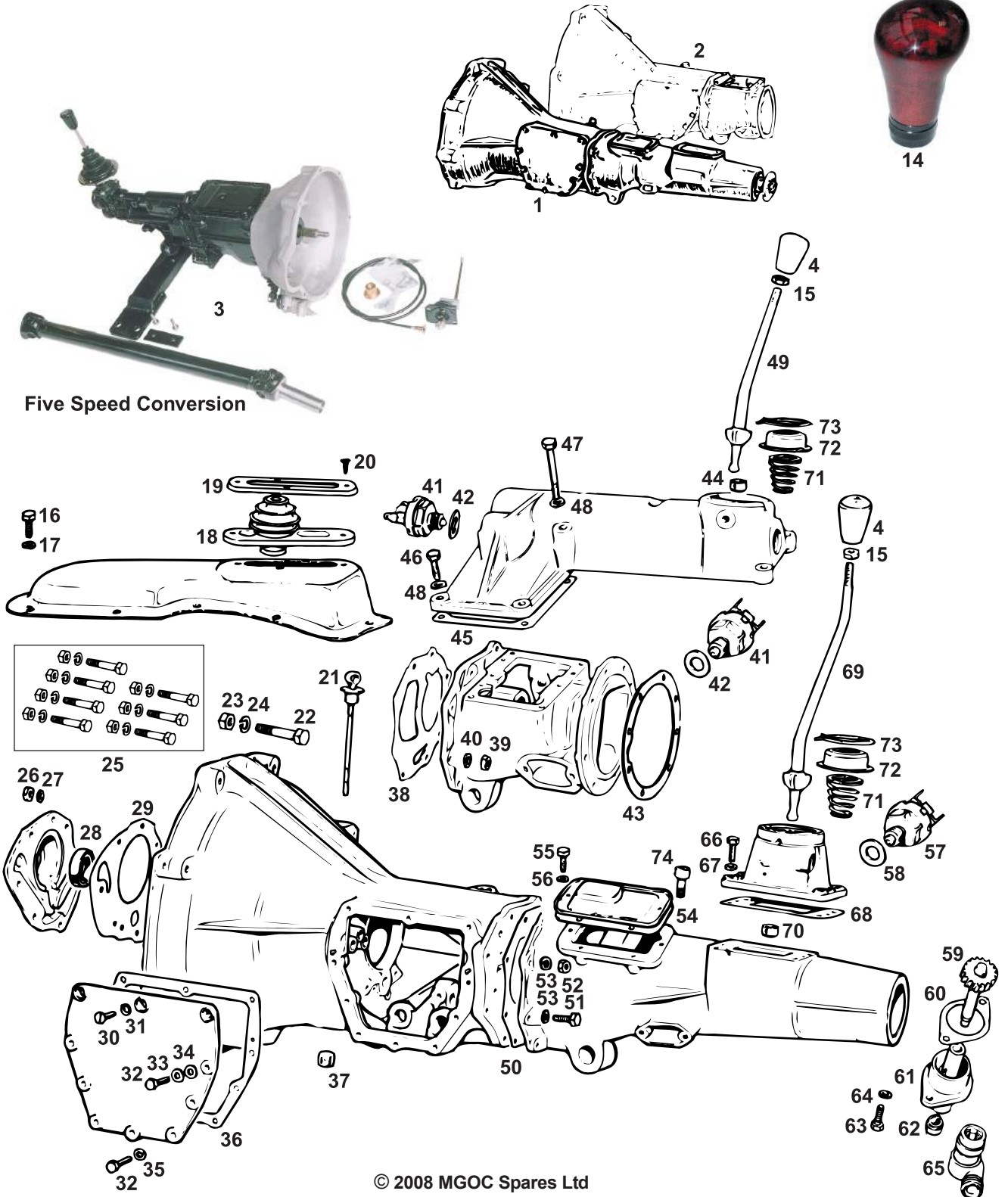
Buy Online at www.mgocspares.co.uk



MGB
& GT
1800



Five Speed Conversion



© 2008 MGOC Spares Ltd

Telephone: 01954 230928 Fax: 01954 231923, Email: sales@mgocspares.co.uk



**MGB
& GT
1800**



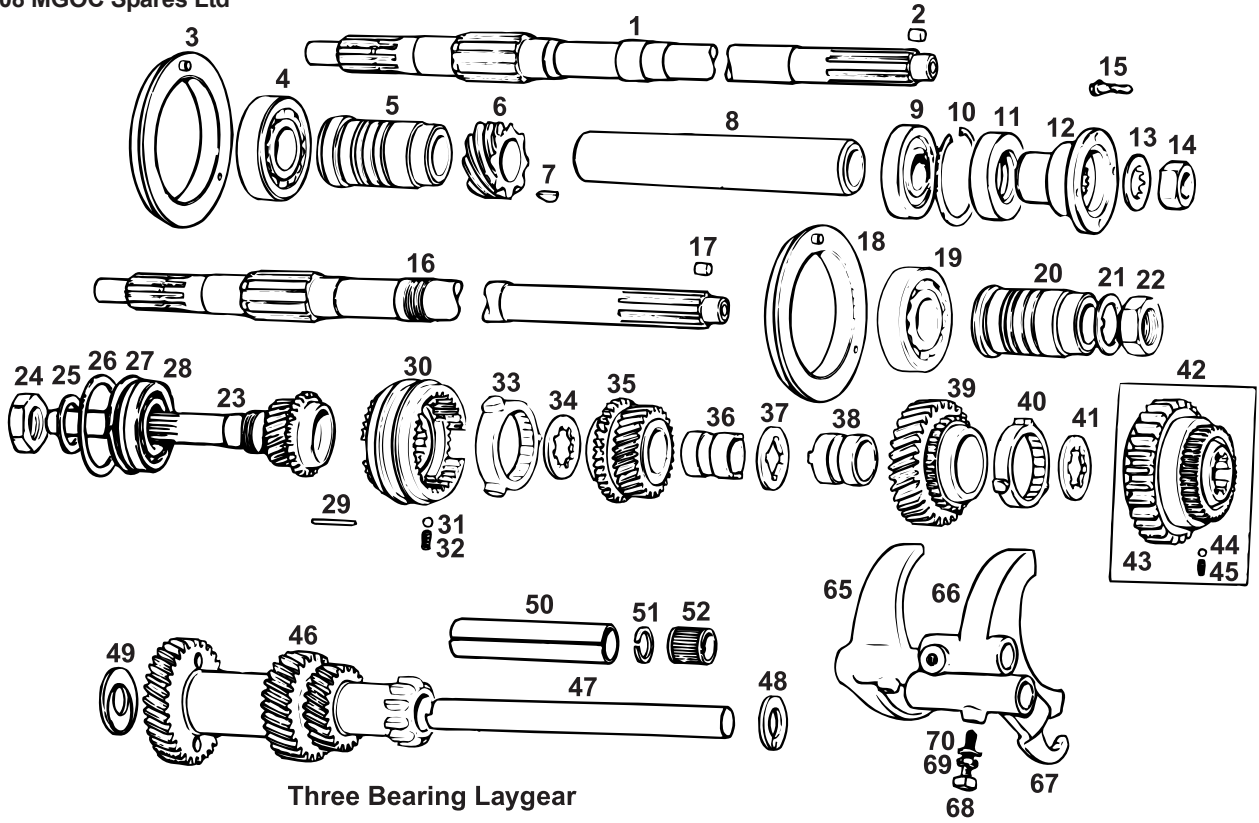
50	1G3712	Gasket - Casing to rear extension	1	} Non-overdrive gearbox
51	BH505101	Bolt	6	
52	GHF201	Nut	2	
53	GHF332	Washer - Spring	8	
54	1G3810	Gasket	1	
55	SH604051	Screw	6	
56	GHF331	Washer - Spring	6	
57	BAU1074	Switch - Reversing lights	1	
58	1B3664	Washer - Fibre	1	
59	11G3264	Pinion - Speedometer	1	
60	22H903	Gasket - Pinion Housing	1	
61	22H29	Pinion housing - Speedometer	1	
62	NKC105	Seal - Speedometer pinion	1	
63	GHF117	Screw - Housing	2	
64	GHF321	Washer	2	
65	120694	Angle drive - Speedometer cable	1	
66	SH505081	Screw - Turret	4	
67	GHF332	Washer - Spring	4	
68	1G3711	Gasket - Turret	1	
69	22H152	Gearlever	1	
70	22H15	Bush - Gearlever	1	
71	AEG3105	Spring - Gearlever	1	
72	1G3927	Cover - Gearlever	1	
73	1H3087	Circlip - Gearlever	1	
74	21H6060	Breather	1	

**Telephone: 01954 230928 Fax: 01954 231923, Email: sales@mgocspares.co.uk
Buy Online at www.mgocspares.co.uk**

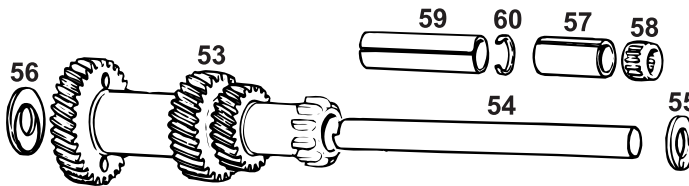


MGB & GT 1800

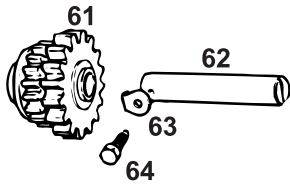
© 2008 MGOC Spares Ltd



Three Bearing Laygear



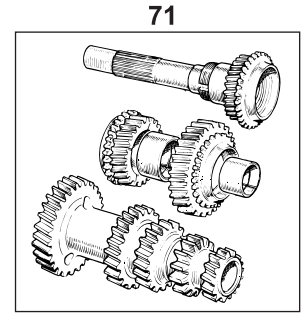
4 Bearing Laygears



73



74



3 Synchromesh Gearbox (1962-67) Internal Components

Parts Availability: Certain components within the Gearbox section may not be currently available but are still included in the catalogue for reference purposes, or in anticipation that they may be reintroduced in future. These items may be identified by their absence or '0' pricing within our price look up program (please visit our website for price updates). In these circumstances customers should contact our spares team for advice - we will either provide an alternative or give second hand supplier sourcing information to MGOC members.

Please note that in light of the above comments, it may be easier and more cost effective to purchase a reconditioned gearbox assembly or one of our 5 speed conversions (see External Gearbox section for details) rather than attempt a home rebuild.

1	1H3227	Shaft -3rd Motion	1	Non-overdrive gearbox	
2	1A1964	Restrictor - Oil	1		
3	1G3586	Housing - Bearing	1		
4	503791	Bearing - Front - 3rd motion shaft	1		
5	11G3223	Spacer - 3rd motion shaft	1		
6	1H3369	Gear - Speedometer drive	1		
7	WKN304	Woodruff key	1		
8	AEH3242	Spacer - 3rd motion shaft	1		
9	6K529	Bearing - Rear - 3rd motion shaft	1		
10	CCN240	Circlip	1		
11	1H3275	Oil seal -Tailshaft	1		
12	1H3304	Drive flange	1		
13	WL600121	Washer - Spring	1		Non-overdrive gearbox; use prior to 22H1020
14	FNZ612	Nut	1		
14	22H1020	Nut	1	Non-overdrive gearbox; use from 18GU H31472 on, L29123 on	
15	AAA4039	Bolt- Propshaft	4		
16	22H226	Shaft - 3rd motion	1	Overdrive gearbox	
17	1A1964	Restrictor - Oil	1		
18	1G3586	Housing - Bearing	1		
19	503791	Bearing - 3rd motion shaft	1		
20	11G3223	Spacer - 3rd motion shaft	1		
21	11G3226	Lock washer	1		
22	11G3225	Nut - 3rd motion shaft	1		
23	22H56	1st motion shaft	1		For 3 main bearing engines (18G, GA)
23	22H843	1st motion shaft	1		
24	1G3584	Nut - 1st motion shaft	1		
25	1A3717	Lock washer - 1st motion shaft	1		
26	6K907	Shim - 0.002 in - 1 st motion shaft	A/R		
26	6K908	Shim - 0.004 in - 1st motion shaft	A/R		
27	6K886	Spring ring - 1st motion shaft	1		
28	6K885	Bearing - 1st motion shaft	1		
29	8G2404	Needle roller	18		
30	48G438	Synchro hub - 3rd and 4th speed	1		
31	BLS109	Ball - Detent	3		
32	6K884	Spring	3		
33	11G3022	Baulk ring - 3rd and 4th gear	2	Select one of required size	
34	11G3127	Thrust washer - 0.1565 in/0.1575 in	1		
34	11G3128	Thrust washer - 0.1585 in/0.1595 in	1		
34	11G3129	Thrust washer - 0.1605 in/0.1615 in	1		
35	1G3594	Gear - 3rd speed	1		
36	11G3029	Bush - 3rd gear locating	1		
37	1G3331	Ring - Interlocking - 2nd & 3rd speed	1		
38	11G3028	Bush - 2nd gear locating	1		
39	22H230	Gear - 2ndspeed	1		
40	22H249	Baulk ring - 2nd gear - Steel type	1		
40	11G3063	Baulk ring - 2nd gear - Bronze type	1		
41	1G3492	Thrust washer - Rear	1		
42	48G422	Gear assembly - 1st speed	1		
43	22H90	Gear - 1st speed - Outer	1		
44	BLS109	Ball - Detent	3		
45	6K884	Spring	3		

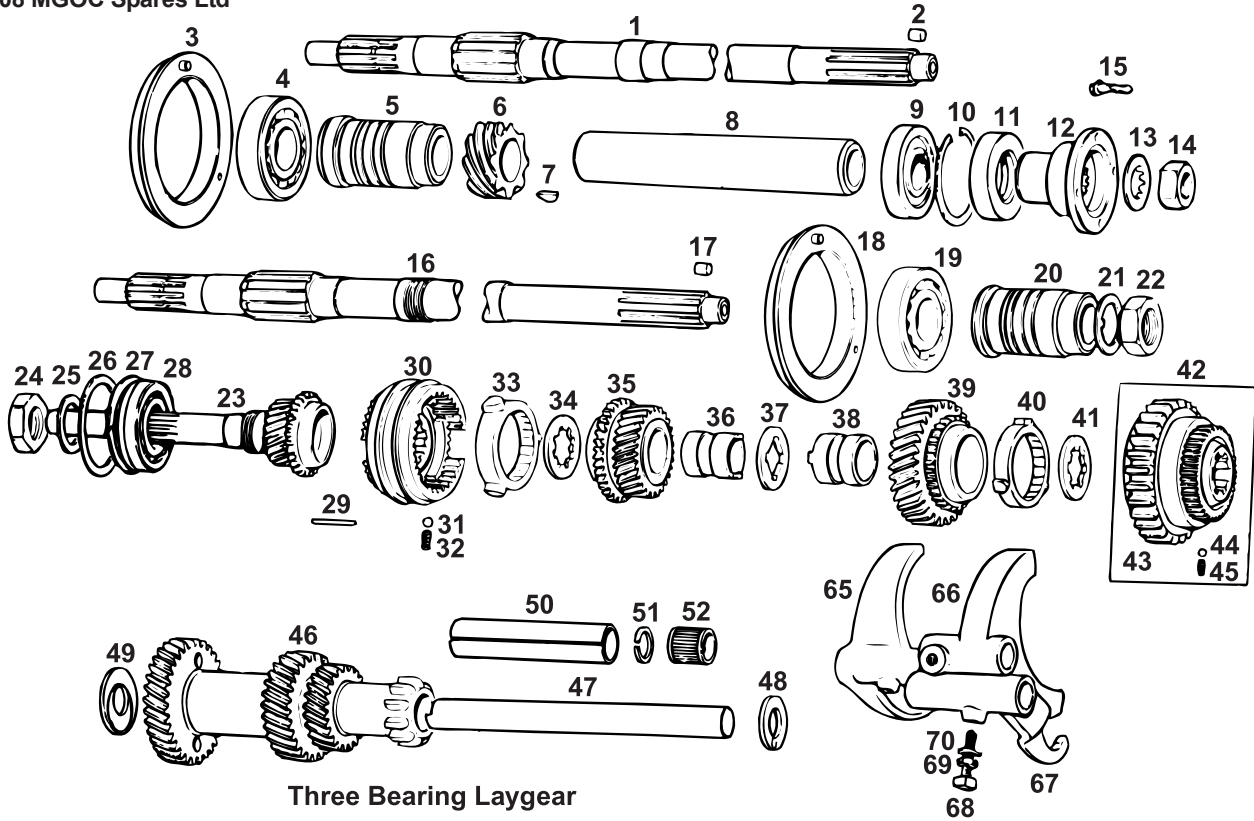
Important Note on Early 3 Bearing Laygear: Cars fitted with 18G and 18GA engines, plus 18GB engines from RU101 up to H74428 (high comp. ratio) and L58223 (low comp. ratio) originally had gearboxes fitted with the 22H54 laygear. This runs on three bearings and differs significantly from the later, 4 bearing type. Other components closely related (bearings, layshaft, thrust washers etc.) are not interchangeable between the two designs. The following are the 3 bearing type components:

46	22H54	Laygear - 3 bearing type	1	Select one of required size
47	1H3305	Layshaft	1	
48	1G3577	Thrustwasher - Rear - 0.154in - 0.156in	1	
48	1G3578	Thrust washer - Rear - 0.157in - 0.159in	1	
48	1G3579	Thrust washer - Rear - 0.160in - 0.161in	1	
48	1G3580	Thrust washer - Rear - 0.163in - 0.164in	1	
49	1G3576	Thrust washer - Front	1	
50	11G3026	Tube - Distance	1	
51	11G3027	Spring ring	4	
52	AAU3052	Lay bearing	3	

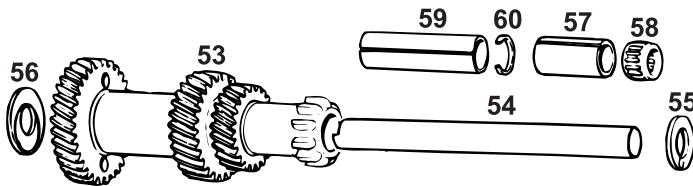


MGB & GT 1800

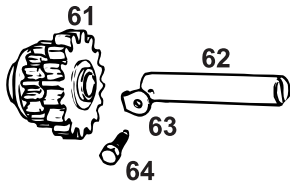
© 2008 MGOC Spares Ltd



Three Bearing Laygear



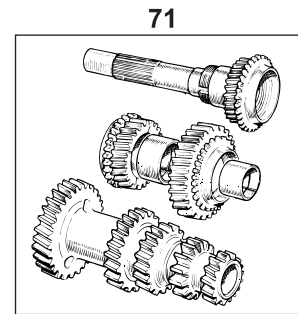
4 Bearing Laygears



73



74



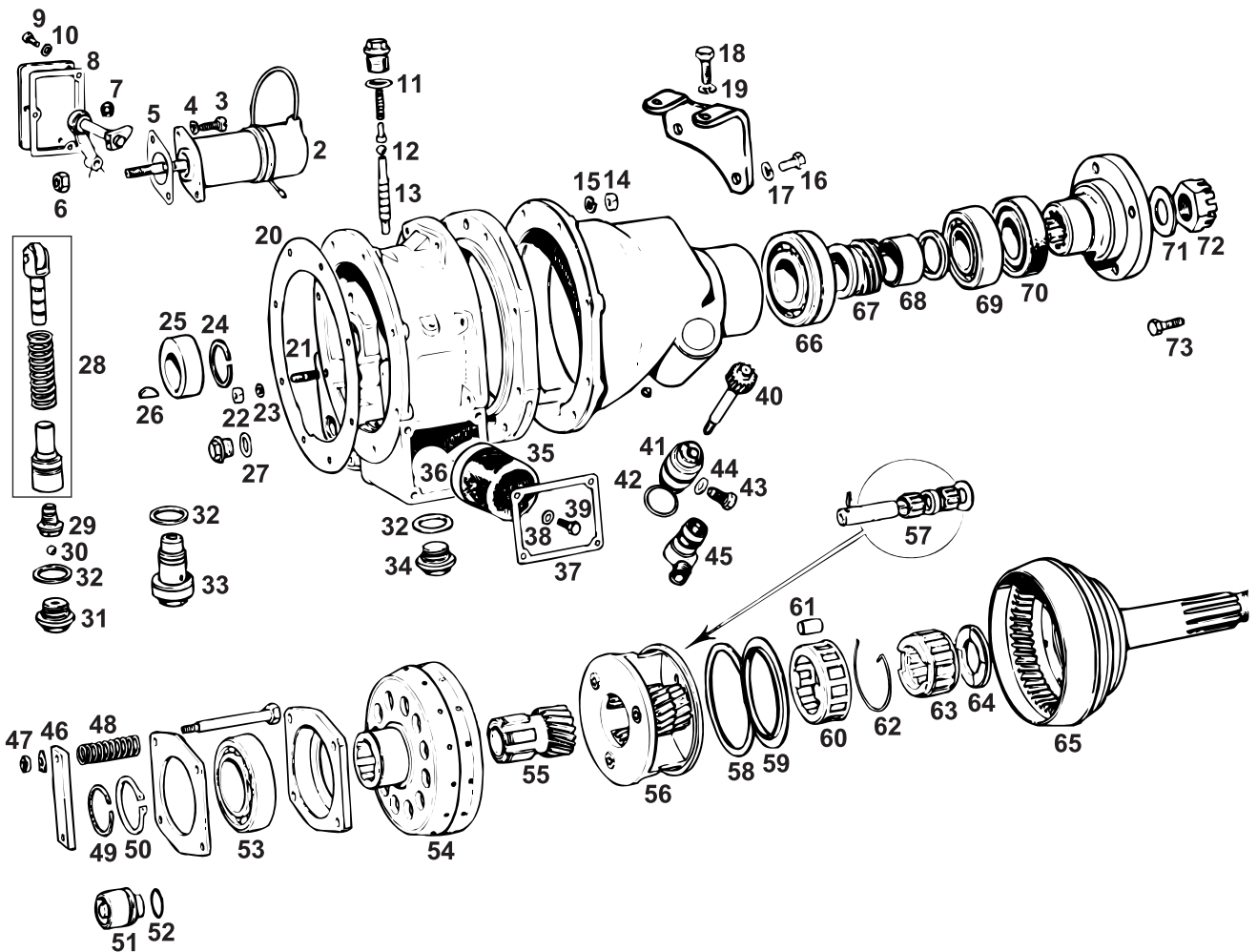
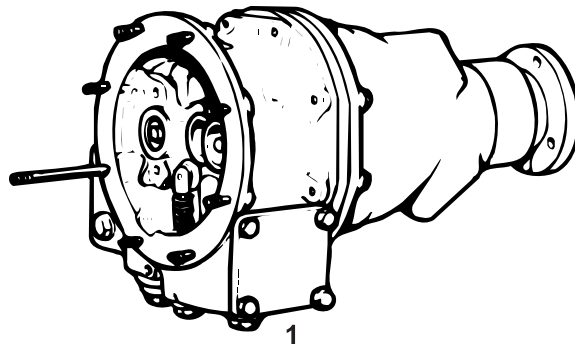
Important Note on Late 4 Bearing Laygear: The 4 bearing laygear does not share components with the 3 bearing design fitted before it. Further complicating matters, the original 4 bearing laygear 22H931 has not been available for many years and has been superseded by a modified design, 22H1301. Be sure to identify what is in your gearbox before ordering replacement parts!

53	22H1301	Laygear - 4 bearing type1	Replacement for original 22H931 design
54	88G400	Layshaft1	
55	22H467	Thrust washer - Rear - 0.154in - 0.156in	..1	} Select one of required size
55	22H468	Thrust washer - Rear - 0.157in - 0.158in	..1	
55	22H469	Thrust washer - Rear-0.160in - 0.161in	..1	
55	22H470	Thrust washer - Rear - 0.163in - 0.164in	..1	
56	22H466	Thrust washer - Front1	
57	22H672	Tube - Distance1	Fits original 22H931 4 bearing laygear only
58	22H471	Lay bearing4	
59	22H1282	Tube - Distance1	Fits replacement 22H1301 4 bearing laygear only
60	11G3027	Spring ring1	Fits original 22H931 4 bearing laygear only
61	22H83	Gear - Reverse idler1	
62	88G258	Shaft - Reverse1	
63	1B3363	Lockwasher1	
64	1G3581	Screw - Locking1	
65	1H3257	Selector fork - 3rd and 4th speed1	
66	11G3135	Selector fork - 1st and 2nd speed1	
67	11G3134	Selector fork - Reverse1	
68	2A3492	Screw - Locating3	
69	FNZ504	Nut - Locking3	
70	GHF321	Washer - Shakeproof4	
71	G850	Gear set - Straight cut - Close ratio1	
Original Special Tuning fitment gearset, featuring stronger straight cut gear teeth and revised ratios (1st 2.45:1, 2nd 1.62:1 and 3rd 1.268:1). The gears of choice for those building high performance road cars, or competition use.				
72	BGK101	Gasket kit - Gearbox1	Non-overdrive
72	BGK102	Gasket kit - Gearbox1	Overdrive
73	GOK5	Gearbox overhaul kit1	Gearboxes with 3 bearing laygear
74	GOK6	Gearbox overhaul kit1	Gearboxes with 4 bearing laygear

**Telephone: 01954 230928 Fax: 01954 231923, Email: sales@mgocspares.co.uk
Buy Online at www.mgocspares.co.uk**



MGB
& GT
1800



© 2008 MGOC Spares Ltd

Telephone: 01954 230928 Fax: 01954 231923, Email: sales@mgocspares.co.uk

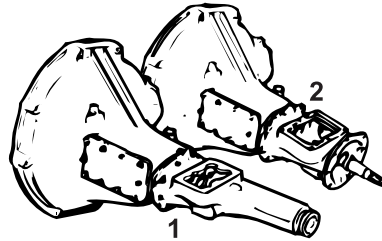
3 Synchromesh Gearbox (1962-67) Overdrive Unit

Parts Availability: Some components within the Overdrive section may not be currently available but are still included in the catalogue for reference purposes, or in anticipation that they may be reintroduced in future. These items may be identified by their absence or '0' pricing within our price look up program (please visit our website for price updates). In these circumstances customers should contact our spares team for advice - we will either provide an alternative or give second hand supplier sourcing information to MGOC members. Please note that in light of these comments, it may be easier and more cost effective to purchase a reconditioned overdrive rather than attempt a home rebuild.

1	22H210E	Overdrive unit - 'D' type - Recon	1	Fitted to 18G, 18GA and 18GB engines, 1962-67
2	10002	Solenoid	1	
3	53K126	Screw	2	
4	WF702101	Washer - Shakeproof	2	
5	7H8196	Gasket	1	
6	GHF271	Nut - Locking	1	
7	17H5815	'O' ring - Operating valve lever	1	
8	513204	Gasket - Nameplate	1	
9	53K126	Screw	3	
10	WF702101	Washer - Shakeproof	3	
11	7H5898	Washer - Plug	1	
12	BLS110	Ball	1	
13	17H8030	Valve - Operating	1	
14	GHF200	Nut	8	
15	GHF331	Washer - Spring	8	
16	GHF117	Screw	2	
17	GHF331	Washer - Spring	2	
18	SH604091	Screw	2	
19	GHF331	Washer - Spring	2	
20	37H1901	Gasket	1	
21	37H1897	Stud - Overdrive to gearbox	8	
22	GHF200	Nut	8	
23	GHF331	Washer - Spring	8	
24	22H228	Spring ring	1	
25	22H190	Cam	1	
26	WKN304	Woodruff key	1	
27	AUC4900A	Washer - Operating lever plug	1	
28	17H8015S	Oil pump assembly	1	
29	37H2693	Valve - Non return	1	
30	BLS107	Ball	1	
31	513206	Plug - Non return valve	1	
32	506118	Washer - Plug	3	
33	7H8191	Valve - Relief	1	
34	506114	Plug - Drain	1	
35	7H8197	Filter	1	
36	513205	Magnet set	1	
37	506098	Gasket - Filter cover	1	
38	GHF117	Screw	4	
39	GHF321	Washer - Shakeproof	4	
40	17H8021	Pinion - Speedometer	1	
41	17H8012	Housing - Speedometer pinion	1	
42	506115	'O' ring - Pinion housing	1	
43	7H5894	Screw - Locking - Pinion housing	1	
44	17H5834	Washer	1	
45	120694	Adaptor - Right angle	1	
46	7H8286	Bridge bar	2	
47	37H1932	Nut - Self locking	4	
48	17H8016	Spring - Clutch return	4	
49	7H8289	Spring ring - Sun wheel	1	
50	7H8323	Circlip - Sliding member	1	
51	7H8290	Piston	2	
52	TRS1114	'O' ring - Piston	2	
53	7H8301	Bearing - Sun wheel	1	
54	17H8017	Sliding member	1	
55	7H8187	Sun Wheel	1	
56	17H8014	Carrier - Planet	1	
57	37H1949	Bearing - Planet	1	
58	NKC77A	Spring ring - Clutch	1	
59	010857	Oil thrower	1	
60	12610	Cage - Unidirectional clutch	1	
61	506063A	Roller (steel) - Set	1	
62	513208	Spring - UDC	1	
63	7H8274	Member - Inner - UDC	1	
64	500613	Thrust washer	1	
65	7H8194	Annulus	1	
66	7H8300	Bearing - Annulus - Front	1	
67	7H8294	Gear - Speedo drive	1	
68	17H8020	Spacer - Annulus	1	
69	533360A	Bearing - Annulus - Rear	1	
70	7H8325	Oil seal - Rear	1	
71	WP24	Washer	1	
72	BTB753	Nut - Self locking	1	
73	AAA4039	Bolt - Propshaft	4	



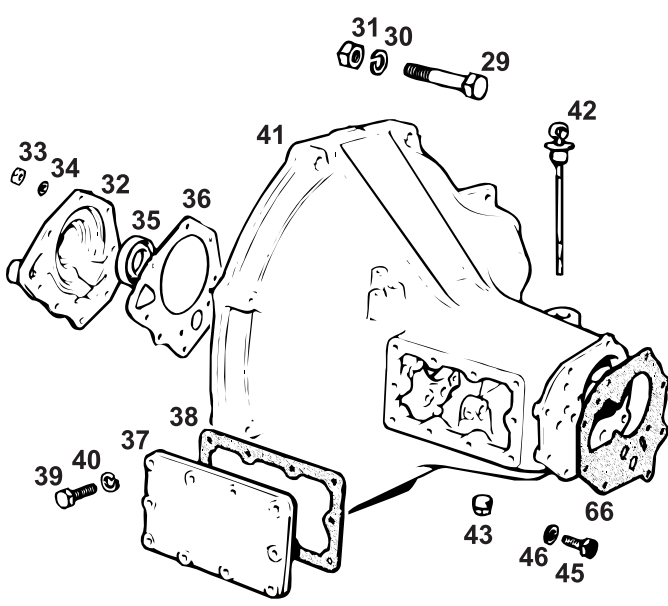
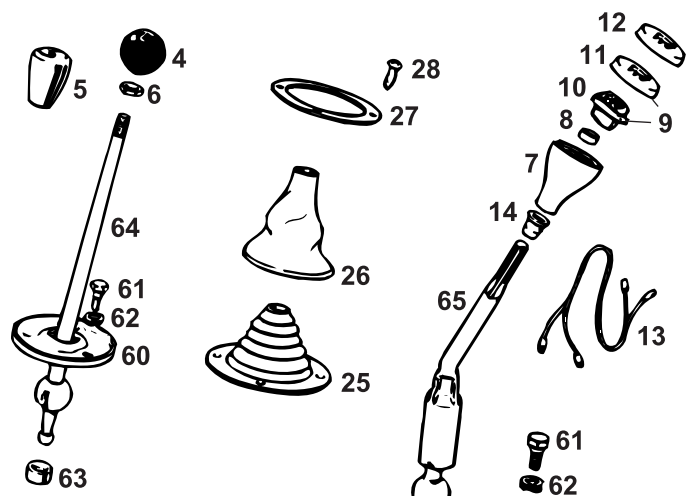
MGB & GT 1800



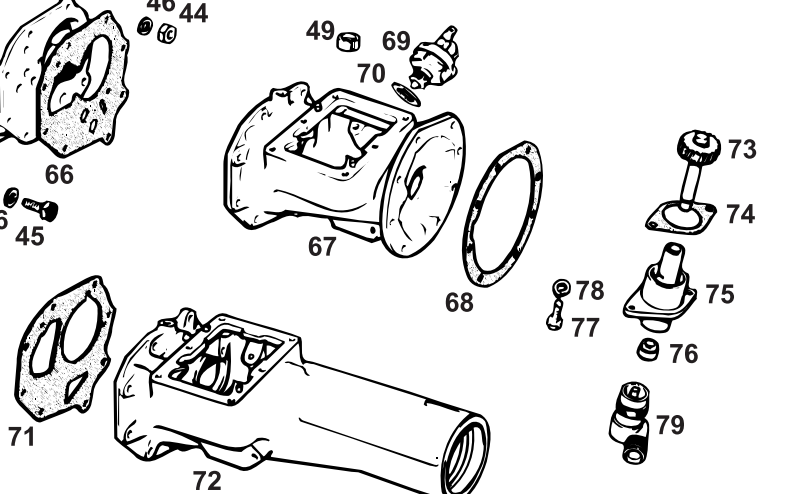
24



Five Speed Conversion



© 2008 MGOC Spares Ltd



4 Synchronmesh Gearbox (1968 on) External Components

1	22H1053E	Gearbox - Recon - Non-overdrive 1
2	22H1052E	Gearbox - Recon - Overdrive 1
2	22H1052QE	Gearbox - Recon - Overdrive 1
1	BHM5020E	Gearbox - Recon - Non-overdrive 1
1	BHM5020QE	Gearbox - Recon - Non-overdrive 1
2	BHM5019E	Gearbox - Recon - Overdrive 1
2	BHM5019QE	Gearbox - Recon - Overdrive 1

Chrome bumper. One for one exchange
 Chrome bumper. Overdrive not included. One for one exchange
 Application as per 22H1052E. Includes increased number of new parts, over and above standard reconditioning scheme.
 Rubber bumper. Customer's own unit
 Application as per BHM5020E. Includes increased number of new parts, over and above standard reconditioning scheme.
 Rubber bumper. Overdrive not included. One for one exchange
 Application as per BHM5019E. Includes increased number of new parts, over and above standard reconditioning scheme.

Five speed conversion kits comprise a new bell housing, gearbox crossmember, propshaft, speedo cable, mountings, fittings and installation instructions. Offering relaxed cruising in 5th gear, this gearbox conversion also features better acceleration due to a higher 2nd gear and improved overall fuel economy. The 5th gear ratio is exactly the same as the MGB overdrive 4th ratio. The Type 9 Ford Sierra gearbox is not included with the 5 speed conversion kits; it is available from stock as a reconditioned outright sale with new bearings, seals, gaskets and selected serviceable components.

3	G806E	Gearbox - Recon. - Sierra Type - 5 Speed 1
3	G840	Gearbox - 5 Speed Conversion Kit 1
3	G841	Gearbox - 5 Speed Conversion Kit 1
3	G845	Gearbox - 5 Speed Conversion kit 1
3	G846	Gearbox - 5 Speed Conversion kit 1
4	1B3736	Gear knob - Standard 1
5	BHH788	Gear knob - Standard 1
6	54K1723	Nut - Gear knob locking 1
7	DAM2174	Gear knob 1
8	C30623	Nut - Retaining 1
9	AAU1913	Cap and overdrive switch kit 1
10	520999	Switch - Overdrive 1
11	AAU8099	Cap - Switch 1
12	BHH1900	Cap - Gearknob 1
13	153726	Wiring loom - Overdrive gearlever 1
14	C30505	Nut - Cone 1
15	R280	Gear knob - Wood 1
16	R281	Gear knob - Leather - Black 1
17	R282	Gear knob - Leather - Tan 1
18	R283	Gear knob - Metal - Silver 1
19	R285AA	Gear knob - Leather - Black - M Range 1
20	R382	Gear knob - Momo - Sport 1
21	R385	Gear knob - Momo - F16 - Leather/alloy 1
22	R387	Gear knob - Momo - Race - Leather/alloy 1
23	R388	Gear knob - Momo - Race - Leather 1

Outright purchase (not exchange)
 1969-75, RHD
 1969-75, LHD
 1976 on, RHD
 1976 on, LHD

Use prior to BHH788
 GHN5 - 294251 and GHD5 - 296001 (Oct. 1972) to Sept. 1976
 Up to Sept. 1976

Sept. 1976 on

Sept. 1976 on, when overdrive fitted

Sept. 1976 on, when overdrive not fitted
 Sept. 1976 on, when overdrive fitted
 Sept. 1976 on

Whilst every effort is made to maintain a consistent range of gear knobs, please note that Momo gear knob styles are subject to change without prior notice. Please contact our MGOC Accessories team for advice on current products and availability.

24	S065	Gear Knob - Walnut 1
25	BHH2049	Grommet - Gearlever 1
26	BHH2072	Gaiter - Gearlever - Vinyl 1
26	R290 on	Gaiter - Gearlever - Leather 1
27	AHC187	Ring - Gearlever - Chrome 1
27	BHH1986	Ring - Gearlever - Black 1
28	RMP410	Screw - Gearlever ring - Short 1
28	RMP416	Screw - Gearlever ring - Long 3
28	RMP416	Screw - Gearlever ring - Short 1
28	RMP420	Screw - Gearlever ring - Long 3

Fitted from GHN5, GHD5 - 258001 (Oct. 1971) on
 Choice of colours available
 Use prior to BHH1986
 Sept. 1976 on

When centre console not fitted

When centre console fitted

Note: The short screw securing the gearlever ring for both console-fitted and non console-fitted cars is used in the position nearest the dashboard, in front of the gear lever.

29	BH605221	Bolt 4
29	BH605261	Bolt 2
29	BH605241	Bolt 1
30	GHF332	Washer - Spring 7
31	GHF201	Nut 7
32	22H1055	Cover - Front 1
33	GHF201	Nut 8
34	GHF332	Washer - Spring 8
35	88G545	Seal - Front Cover 1
36	22B385B	Gasket - Front Cover 1
37	22B309	Side cover 1
38	22B319	Gasket - Side cover 1
39	SH 505071	Screw 10
40	GHF332	Washer - Spring 10
41	22H1463	Casing - Gearbox 1
42	22B549	Dipstick 1
43	2K5830	Plug - Drain and filler 1/2

Gearbox bellhousing to engine backplate

Gearbox front cover

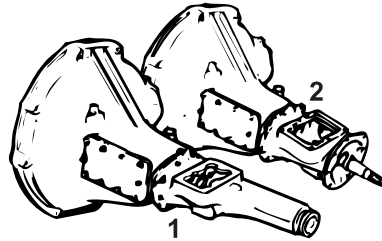
Gearbox side cover

See note below

From engine numbers 18V846, 847, 797, 798, 801 and 802 onwards the dipstick was deleted and a second screwed plug fitted to the side of the gearbox for filling purposes.



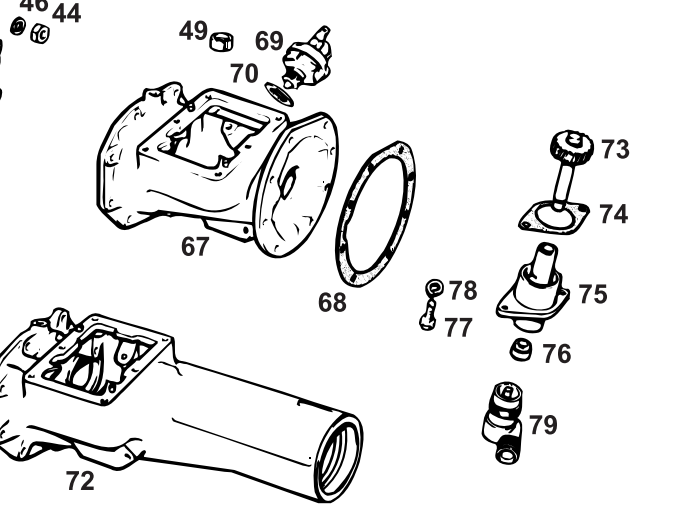
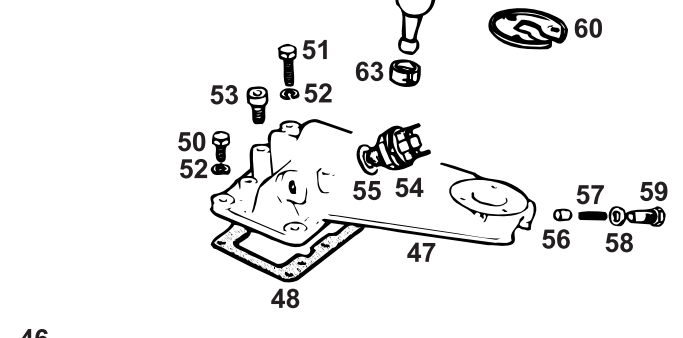
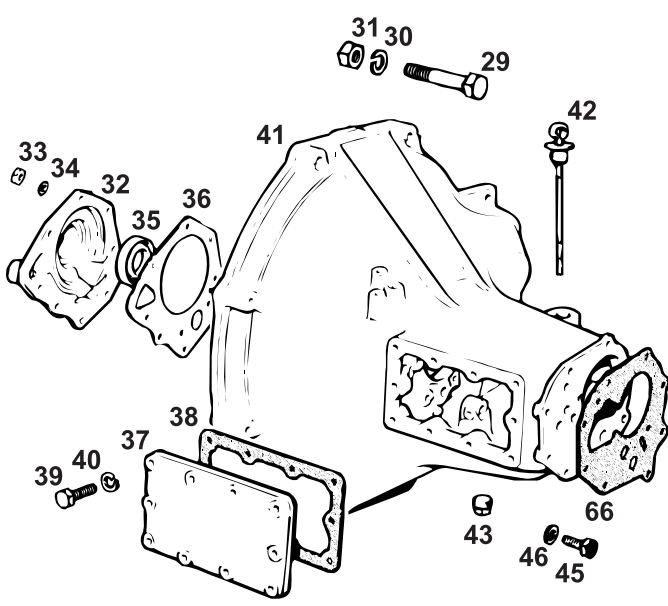
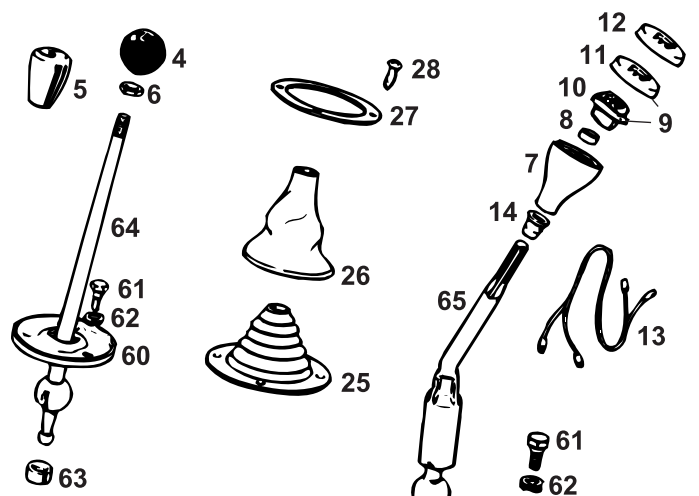
MGB & GT 1800



24



Five Speed Conversion



© 2008 MGOC Spares Ltd



**MGB
& GT
1800**

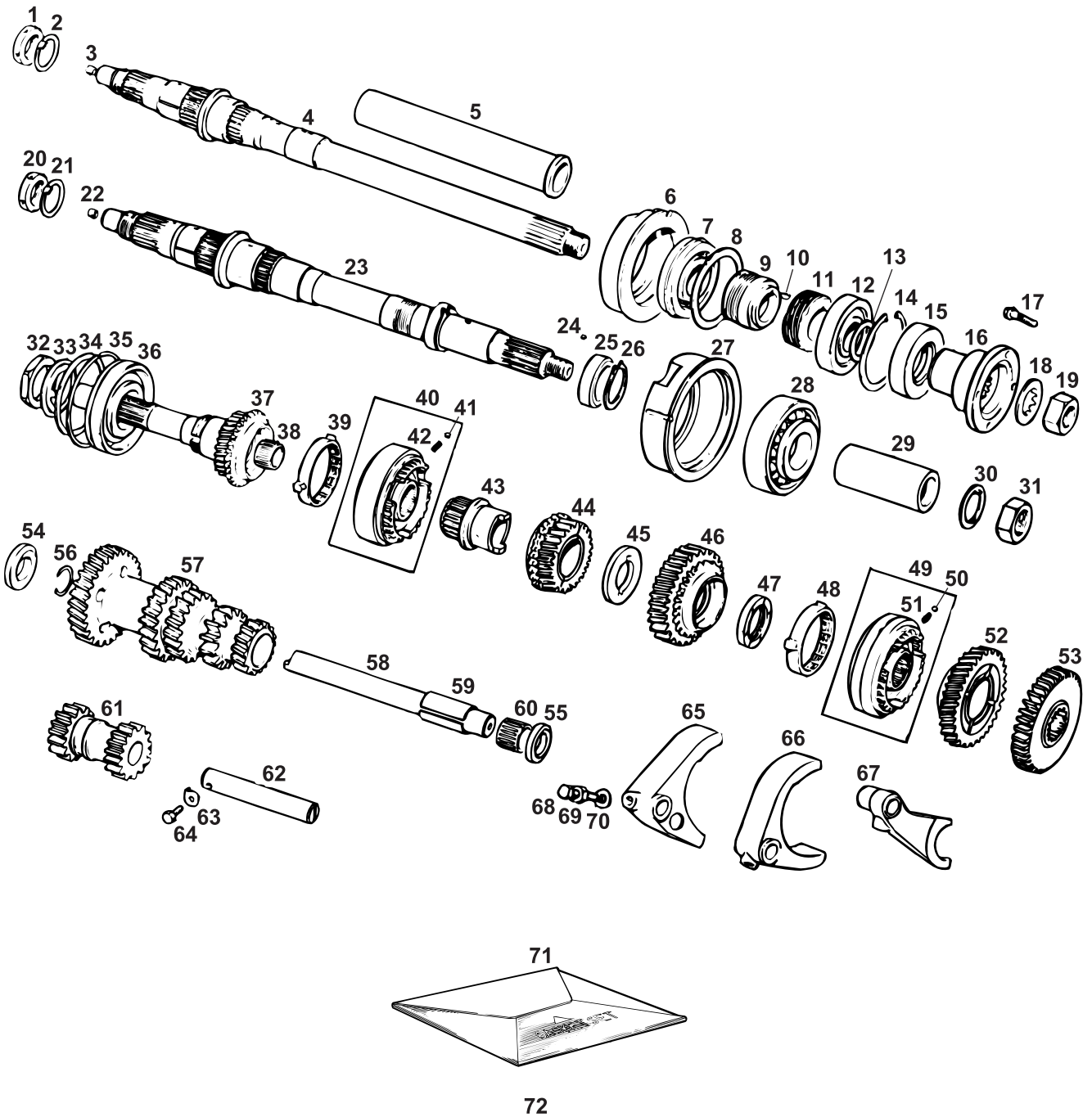


44	GHF201	Nut - Casing to rear extension/adaptor . . .	3	
45	BH505101	Bolt - Casing to rear extension/adaptor . . .	5	
46	GHF332	Washer	8	
47	22B522	Housing - Remote control	1	} Gearbox remote control
48	22B372	Gasket - Remote	1	
49	22B295	Bush - Plastic - Extension	1	
50	SH505081	Screw - Short	4	
51	BH505181	Bolt - Long	2	
52	GHF332	Washer - Spring	6	
53	21H6060	Breather	1	
54	BAU1074	Switch - Reverse lamp	1	
55	1B3664	Washer - Fibre	1	
56	22A84	Plunger - Anti - rattle	1	
57	AEG3123	Spring - Plunger	1	} Up to Sept. 1976 Sept. 1976 on
58	AEG3122	Washer-Cap	1	
59	22A85	Cap - Retaining - Plunger	1	
60	DAM2576	Plate - Gearlever retaining	1	
61	22B525	Screw - Gearlever plate	3	
62	2K2545	Washer - Double coil	3	
63	22H15	Bush - Gearlever	1	
64	22B419	Gearlever	1	
65	DAM3079	Gearlever	1	
66	22B404	Gasket - Casing to adaptor	1	
67	22B589	Adaptor - Overdrive	1	
68	37H1901	Gasket - Overdrive	1	
69	BAU1074	Switch - Inhibitor	1	} Non-overdrive gearboxes
70	1B3664	Washer - Fibre	1	
71	22B371	Gasket - Casing to rear extension	1	} Non-overdrive gearboxes, chrome bumper Non-overdrive gearboxes, rubber bumper
72	22B368	Rear extension	1	
73	22B654	Pinion - Speedometer	1	} Non-overdrive gearboxes
73	DAM687	Pinion - Speedometer	1	
74	22H903	Gasket - Pinion housing	1	
75	22H29	Pinion housing - Speedometer	1	
76	NKC105	Seal - Speedometer pinion	1	
77	GHF117	Screw	2	
78	GHF321	Washer - Shakeproof	2	
79	120694	Angle drive - Speedometer cable	1	

**Telephone: 01954 230928 Fax: 01954 231923, Email: sales@mgocspares.co.uk
Buy Online at www.mgocspares.co.uk**



MGB
& GT
1800



© 2008 MGOC Spares Ltd

Telephone: 01954 230928 Fax: 01954 231923, Email: sales@mgocspares.co.uk

4 Synchromesh Gearbox (1968 on) Internal components

Parts Availability: Certain components within the Gearbox section may not be currently available but are still included in the catalogue for reference purposes, or in anticipation that they may be reintroduced in future. These items may be identified by their absence or '0' pricing within our price look up program (please visit our website for price updates). In these circumstances customers should contact our spares team for advice - we will either provide an alternative or give second hand supplier sourcing information to MGOC members.

Please note that in light of the above comments, it may be easier and more cost effective to purchase a reconditioned gearbox assembly or one of our 5 speed conversions (see External Gearbox section for details) rather than attempt a home rebuild.

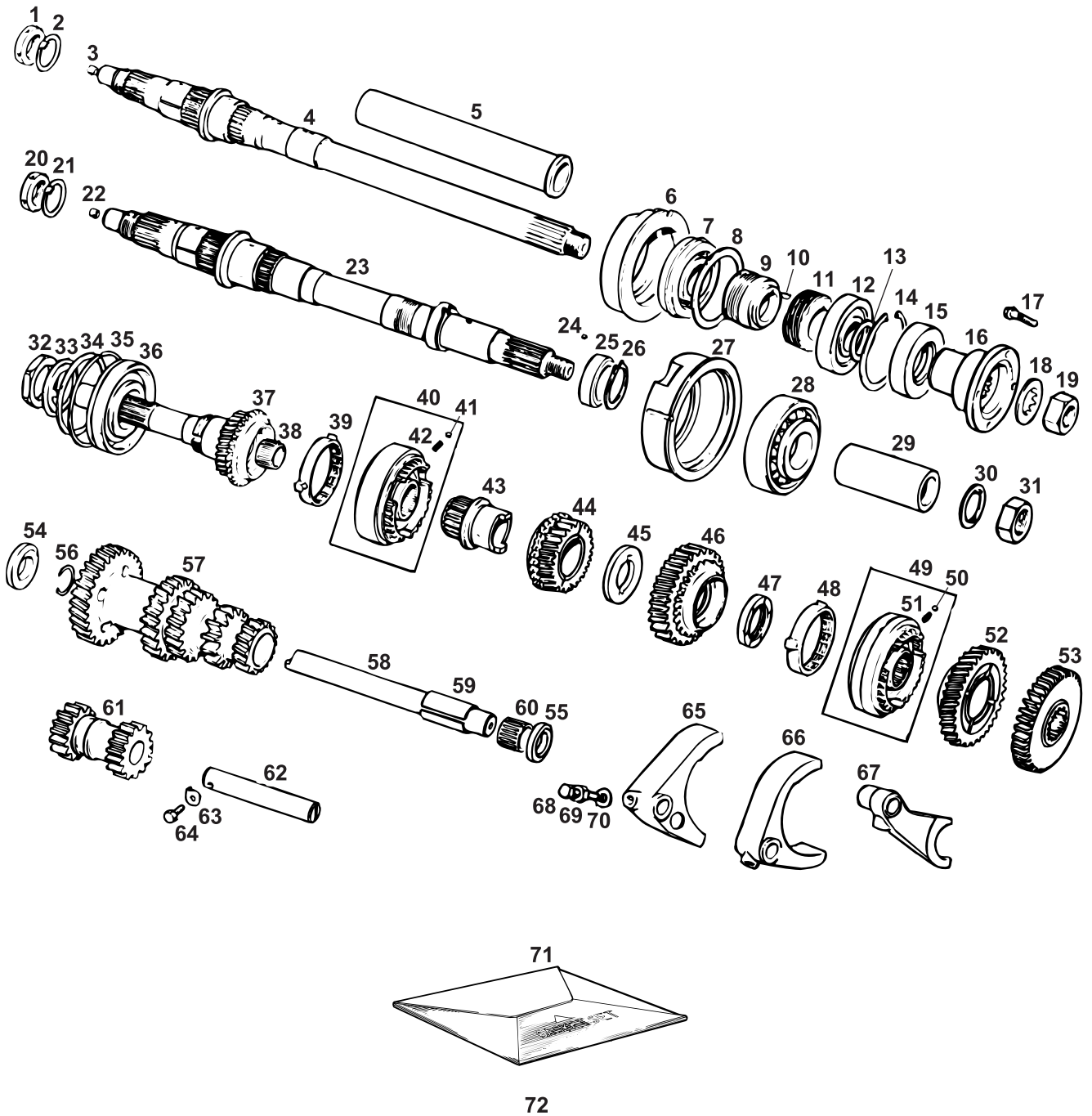
1	22H772	Nut	1	}	Non-overdrive gearbox
2	22H773	Lockwasher	1		
3	1A1964	Restrictor - Oil	1		
4	22B373	Shaft - 3rd motion	1		
5	22H1285	Spacer - 3rd motion shaft	1		
6	22B551	Housing - Bearing	1		
7	22B313	Bearing - Front - 3rd motion shaft	1		
8	22B317	Shim - 0.002"	A/R		
8	22B318	Shim - 0.004"	A/R		
9	22B467	Spacer - 3rd motion shaft	1		
10	WKN304	Woodruff key	1		
11	22B649	Gear - Speedo drive - 10 teeth CB	1		
11	DAM686	Gear - Speedo drive RB	1		
12	503791	Bearing - Rear - 3rd motion shaft	1		
13	22B464	Shim - 0.002"	A/R		
13	22B465	Shim - 0.005"	A/R		
13	22B466	Shim - 0.010"	A/R		
14	22B299	Circlip - 0.09670.098"	1		
14	22B300	Circlip - 0.09870.100"	1		
14	22B463	Circlip - 0.10070.102"	1		
15	13H9213	Oil seal - Tailshaft	1		
16	22H1106	Flange - Drive	1		
17	22H1107	Bolt - Propshaft	4		
18	22B270	Lockwasher	1		
19	22B269	Nut	1		
20	22H772	Nut	1		
21	22H773	Lockwasher	1		
22	1A1964	Restrictor - Oil	1		

The very early overdrive type 3rd motion shaft differed from that listed here in having a key for driving the cam. The woodruff key is part no. 37H1910, while the key-driven version of the cam is part no. 37H1909.

23	8G3032	Shaft - 3rd motion	1	}	Overdrive gearbox
24	BLS106	Ball	1		
25	22B611	Cam	1		
26	37H1911	Circlip	1		
27	22B588	Housing - Bearing	1		
28	13H7268	Bearing - 3rd motion shaft	1		
29	22B425	Spacer - 3rd motion shaft	1		
30	22B516	Lockwasher	1		
31	22B515	Nut	1		
32	22B356	Nut - 1st motion shaft	1		
33	22H798	Lockwasher	1		
34	6K778	Shim - 0.002"	A/R		
34	6K779	Shim - 0.004"	A/R		
35	6K780	Spring ring	1		
36	6K830	Bearing - 1st motion shaft	1		
37	22B556	Shaft - 1st motion	1		
38	22H774	Bearing - needle roller	1		
39	22H1028	Synchromesh ring - 3rd and 4th speed	2		
40	22H1168	Synchromesh hub - 3rd and 4th speed	1		
41	BLS109	Ball - Detent	3		
42	22H827	Spring	3		
43	22H1062	Sleeve - Mainshaft	1		
44	DAM6230	Gear - 3rd speed	1		
45	22H1034	Thrust washer - Interlocking	1		
46	DAM6228	Gear - 2nd speed	1		
47	22H276	Thrust washer - 2nd gear	1		
48	22H1028	Synchromesh ring - 1st and 2nd speed	2		
49	DAM4104	Synchromesh hub - 1st and 2nd speed	1		
50	BLS109	Ball - Detent	3		
51	22H827	Spring	3		
52	DAM6226	Gear - 1st speed - 30 teeth	1		
53	DAM1740	Gear - Reverse	1		



MGB
& GT
1800



© 2008 MGOC Spares Ltd

Telephone: 01954 230928 Fax: 01954 231923, Email: sales@mgocspares.co.uk

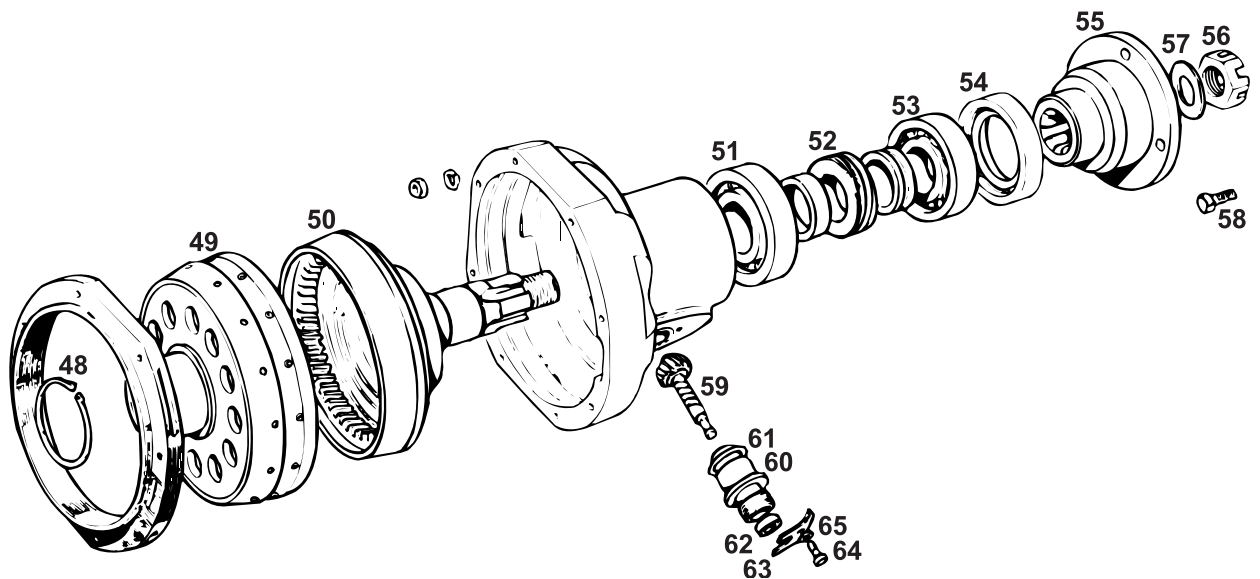
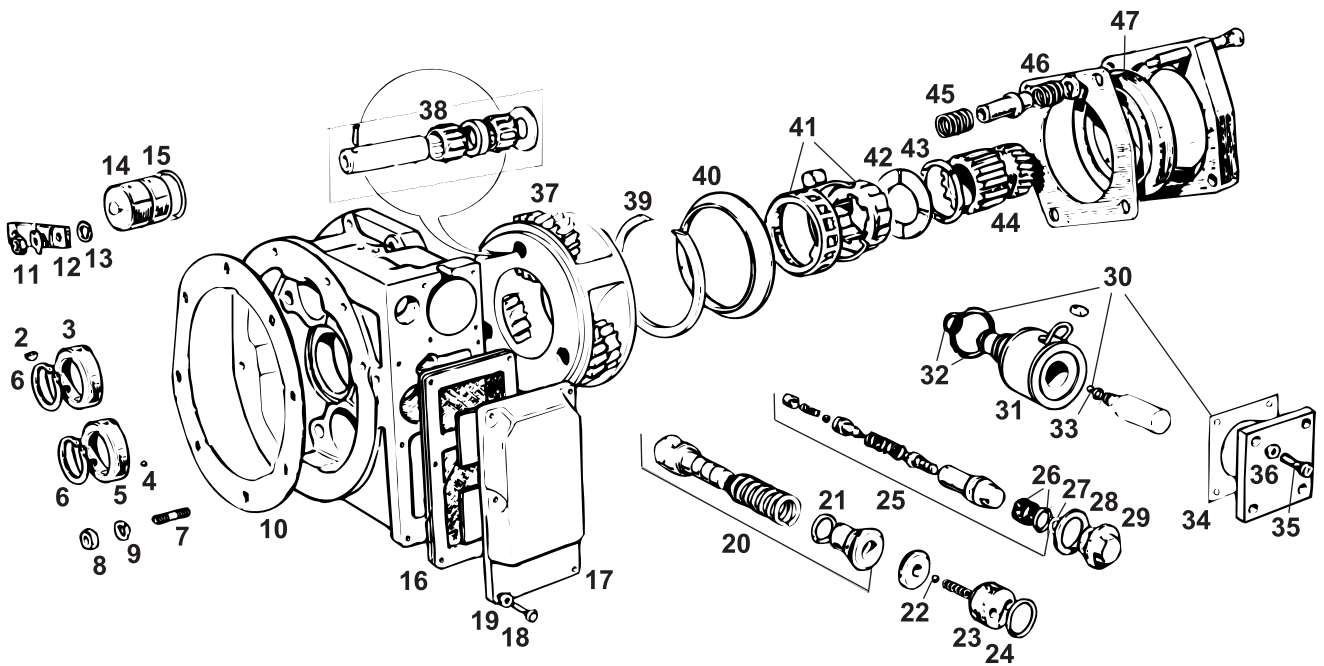
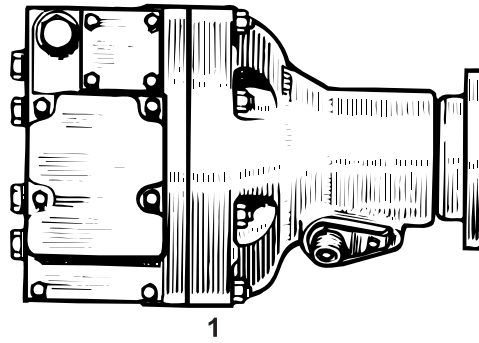


**MGB
& GT
1800**



54	22B301	Thrust washer - Front	1	} Chrome bumper cars
55	22B302	Thrust washer - Rear - 0.15470.156"	1	
55	22B303	Thrust washer - Rear - 0.15770.158"	1	} Chrome bumper cars; select one of required size
55	22B304	Thrust washer - Rear - 0.16070.161"	1	
55	22B305	Thrust washer - Rear - 0.16370.164"	1	
54	22B691	Thrust washer - Front	1	} Rubber bumper cars
55	22B692	Thrust washer - Rear - 0.13470.135"	1	
55	22B693	Thrust washer - Rear - 0.13170.132"	1	} Rubber bumper cars; select one of required size
55	22B694	Thrust washer - Rear - 0.12770.128"	1	
55	22B695	Thrust washer - Rear - 0.12470.125"	1	
55	22B696	Thrust washer - Rear - 0.12070.121"	1	
56	22H477	Spring ring	2	
57	22B557	Laygear	1	
58	22B280	Layshaft	1	
59	22H478	Tube - Distance	1	
60	AHU1041	Laybearing	2	
61	22H308	Gear - Reverse idler	1	
62	88G467	Shaft - Reverse	1	
63	1B3363	Lockwasher	1	
64	1G3581	Screw - Locking	1	
65	22B284	Selector fork - 1st and 2nd speed	1	
66	22B285	Selector fork - 3rd and 4th speed	1	
67	22B283	Selector fork - Reverse	1	
68	2A3492	Screw - Locating	3	
69	FNZ504	Nut - Locking	3	
70	GHF321	Washer - Shakeproof	3	
71	BGK104	Gasket kit - Gearbox	1	} Overdrive gearbox
72	GOK8	Gearbox overhaul kit	1	
72	GOK7	Gearbox overhaul kit	1	

**Telephone: 01954 230928 Fax: 01954 231923, Email: sales@mgocspares.co.uk
Buy Online at www.mgocspares.co.uk**



4 Synchromesh Gearbox (1968 on) Overdrive Unit

Parts Availability: Some components within the Overdrive section may not be currently available but are still included in the catalogue for reference purposes, or in anticipation that they may be reintroduced in future. These items may be identified by their absence or '0' pricing within our price look up program (please visit our website for price updates). In these circumstances customers should contact our spares team for advice - we will either provide an alternative or give second hand supplier sourcing information to MGOC members. Please note that in light of these comments, it may be easier and more cost effective to purchase a reconditioned overdrive rather than attempt a home rebuild.

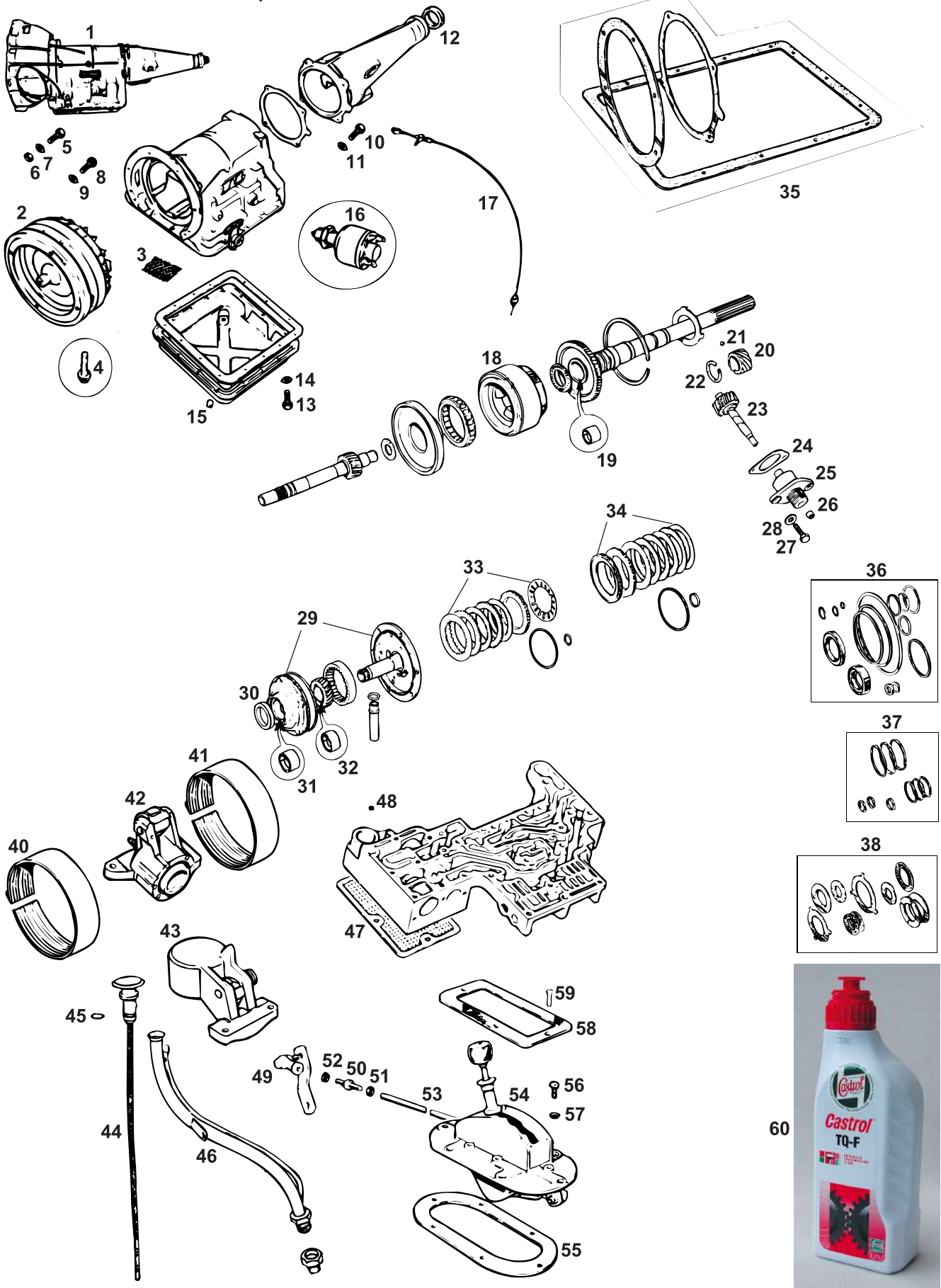
1	22H1283E	Overdrive unit - LH type - 1280 TPM 1	Chrome bumper cars, 1968-74 (black identification plate)
1	DAM1362E	Overdrive unit - LH type - 1000TPM 1	Rubber bumper cars, 1975 on (blue identification plate)
2	37H1910	Woodruff key 1	
3	37H1909	Cam 1] For early specification gearbox mainshaft
4	BLS106	Ball 1	
5	22B611	Cam 1] For later specification gearbox mainshaft
6	37H1911	Circlip 1	
7	37H1897	Stud - Overdrive to gearbox 7	
7	37H8068	Stud - Overdrive to gearbox 1	
8	GHF200	Nut 8	
9	GHF331	Washer - Spring 8	
10	37H1901	Gasket - Overdrive 1	
11	37H1932	Nut - Self locking 4	Replaces original plain nut and lock washer
12	37H1931	Bridge bar 2	
13	37H1930	Circlip - Cush spring 4	
14	37H1933	Piston 2	
15	513912	'O' ring 2	
16	37H1942	Filter and gasket - Sump 1	
17	37H1944	Sump 1	
18	37H1946	Screw 6	
19	WF702101	Washer - Shakeproof 6	
20	37H1913S	Oil pump assembly 1	
21	37H1914	'O' ring 1	
22	BLS107	Ball - Non return valve 1	
23	NKC26	Plug - Oil pump 1	
24	NKC101	'O' ring 1	
25	37H3462	Valve - Oil pressure control 1	
26	506129S	'O' ring and filter 1	
27	37H1924	'O'ring - Relief valve plug 1	
28	506118	Washer - Relief valve plug 1	
29	37H1925	Plug - Relief valve 1	
30	37H1934K	Solenoid valve seal kit 1	Includes O ring set, ball and gasket
31	37H1935	Coil assembly - Solenoid 1	
32	NKC99S	'O' ring set - Solenoid 1	
33	BLS106	Ball 1	
34	37H1941	Gasket - Solenoid cover 1	
35	53K126	Screw 4	
36	WF702101	Washer - Shakeproof 4	
37	37H1950	Carrier - Planet 1	
38	37H1949	Bearing - Planet 1	
39	NKC77	Spring ring - Clutch 1	
40	10857	Oil thrower 1	
41	7H5879S	Unidirectional clutch assembly 1	
42	500613	Thrust washer 1	
43	10849	Spring ring - Sunwheel 1	
44	37H1907	Sunwheel 1	
45	37H1929	Spring - Clutch - Release 4	
46	37H3872	Spring - Clutch - Engagement 4	
47	500640	Bearing - Sun wheel 1	
48	37H1906	Circlip - Sliding member 1	
49	37H3461	Sliding member 1	
50	37H3873	Annulus 1	
51	217325A	Bearing - Annulus - Front 1	
52	37H3464	Gear - Speedo drive - 8 teeth (blue) 1	Chrome bumper
52	37H8844	Gear - Speedo drive - 6 teeth (red) 1	Rubber bumper
53	SP75G	Bearing - Annulus - Rear 1	
54	NKC39	Oil seal - Rear 1	
55	22H1325	Flange - Drive 1	
56	BTB753	Nut - Self locking 1	
57	BTB933	Washer - Flange 1	
58	22H1107	Bolt - Propshaft 4	
59	37H3463	Pinion - Speedo - 21 teeth (white) 1	Chrome bumper
59	37H8845	Pinion - Speedo - 20 teeth (red) 1	Rubber bumper
60	37H1955	Housing - Speedo pinion 1	
61	NKC101	'O' ring - Pinion housing 1	
62	NKC105	Seal - Pinion 1	
63	37H1957	Lock plate - Speedo pinion 1	
64	SH604051	Screw 1	
65	WE600041	Washer - Shakeproof 1	



MGB
& GT
1800



© 2008 MGOC Spares Ltd



Telephone: 01954 230928 Fax: 01954 231923, Email: sales@mgocspares.co.uk

Automatic Gearbox Assembly

Parts Availability: Many components within the Automatic Gearbox section are not currently available but are still included in the catalogue for reference purposes, or in anticipation that some may be reintroduced in future. These items may be identified by their absence or '0' pricing within our price look up program (please visit our website for price updates). In these circumstances customers should contact our spares team for advice - we will either provide an alternative or give second hand supplier sourcing information to MGOC members. Please note that in light of these comments, it may be easier and more cost effective to purchase a reconditioned gearbox rather than attempt a home rebuild.

1	22H1266E	Gearbox - Automatic - Recon -	1	
		(including converter)		
2	17H3298E	Torque converter - Recon	1	
3	37H3729	Stoneguard - Mesh	2	
4	27H6866	Screw - Stoneguard	4	
5	BH605241	Bolt	2	} Gearbox bellhousing to engine backplate
5	BH605221	Bolt	3	
5	BH605261	Bolt	2	
6	GHF201	Nut	7	
7	GHF332	Washer - Spring	7	
8	SH505071	Screw	6	} Main case to bellhousing
9	GHF332	Washer - Spring	6	
10	SH505081	Screw	4	} Tailshaft to main case
11	GHF332	Washer - Spring	4	
12	RTC447	Oil seal - Tailshaft	1	} Sump to main case
13	SH505051	Screw	15	
14	GHF332	Washer - Spring	15	
15	37H6403	Drain plug	1	
16	RTC1150	Switch - Inhibitor	1	
17	22H1267	Cable - Kickdown	1	
18	AEU1964	Planet gear assembly	1	
19	MRB10	Bush - Output shaft	1	
20	22B473	Gear - Speedometer drive	1	
21	BLS106	Ball	1	
22	27H8597	Snap ring	2	
23	22B654	Pinion - Speedometer	1	
24	22H903	Gasket - Pinion housing	1	
25	22H29	Pinion housing - Speedometer	1	
26	NKC105	Seal - Speedometer pinion	1	
27	GHF117	Screw	2	
28	GHF321	Washer - Shakeproof	2	
29	BAU1798	Oil pump assembly..	1	
30	BAU1034	Oil seal - Oil pump	1	
31	MRB2	Bush - Oil pump body	1	
32	MRB3	Bush - Oil pump gear	1	
33	GAB505	Clutch plate kit - Front	1	
34	GAB607	Clutch plate kit - Rear	1	
35	GAB411	Gasket kit - Automatic gearbox	1	
36	GAB212	Kit - Oil seal and rubber ring	1	
37	AEU2868	Kit - Teflon sealing ring	1	
38	37H7952	Kit - Thrust washer	1	
39	GAB106	Kit - Major overhaul (not illustrated)	1	Includes items 33 - 38
40	GAB704	Brake band - Front	1	
41	GAB709	Brake band - Rear	1	
42	27H6196	Servo assembly - Front	1	
43	27H8602	Servo assembly - Rear	1	
44	AHC370	Dipstick	1	
45	TRS710	'O' ring	1	
46	AHH8436	Tube - Dipstick	1	
47	27H9338	Filter - Plain	1	
47	AAU7085	Filter - Snorkel - With pick up	1	Alternative; snorkel fits lower in oil sump
48	606439	Ball - Pump check valve	1	
49	11H670	Ball joint - Selector	1	
50	AHH8547	Adjuster	1	
51	NT605041	Nut - Right hand thread	1	
52	FNZ2205	Nut - Left hand thread	1	
53	AHH8544	Rod - Selector	1	
54	AHH8548	Selector - Assembly	1	
55	AHC188	Seal - Gearbox tunnel	1	
56	SF604061	Screw	6	} Selector assembly to gearbox tunnel
57	BHA4566	Washer - Shakeproof	6	
58	AHC215	Retainer - Carpet	1	
59	RMP308	Screw - Retainer to selector assembly	6	
60	1747	Castrol TQF transmission fluid - 1 litre	A/R	

Telephone: 01954 230928 Fax: 01954 231923, Email: sales@mgocspares.co.uk

Buy Online at www.mgocspares.co.uk

DRIVE TRAIN:

CLUTCH

PROPSHAFT

BANJO AXLE

TUBE AXLE

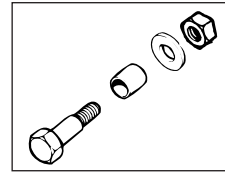




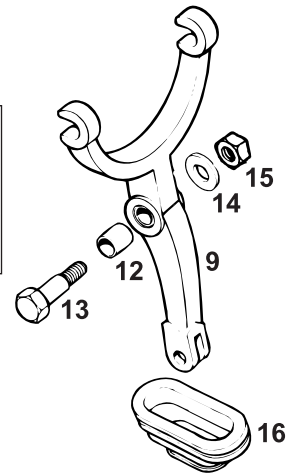
MGB
& GT
1800



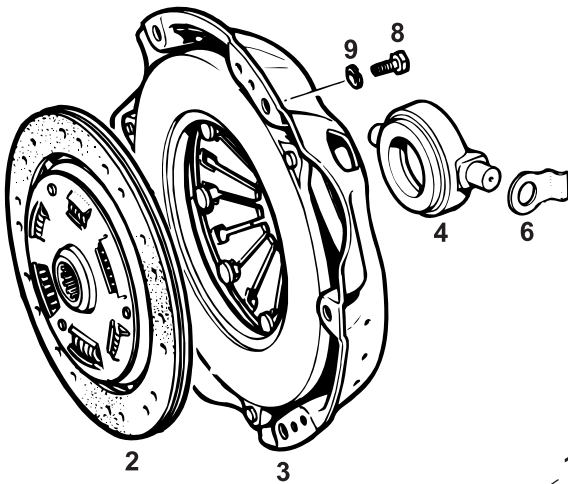
1



11



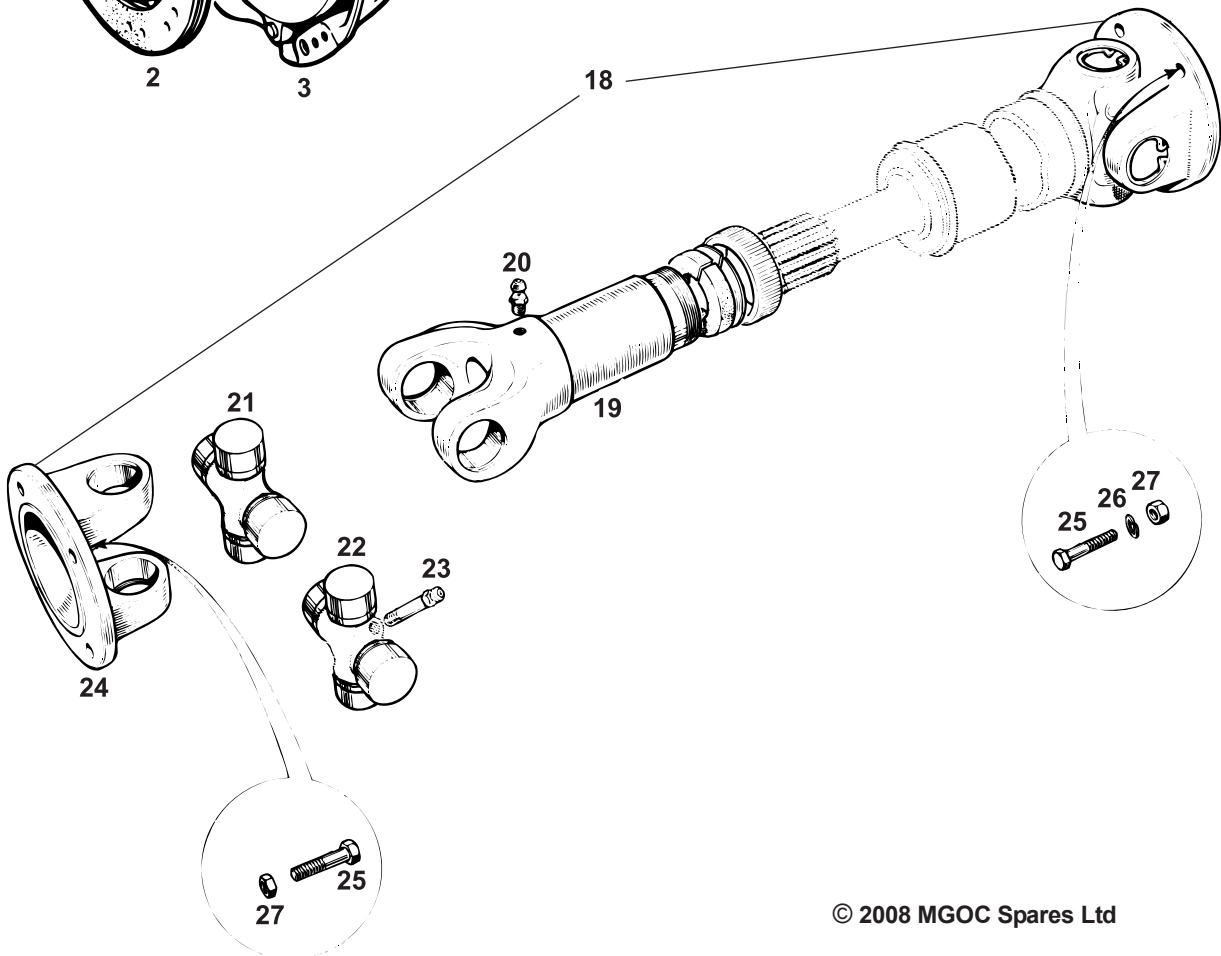
7



5



17



© 2008 MGOC Spares Ltd

Telephone: 01954 230928 Fax: 01954 231923, Email: sales@mgocspares.co.uk



**MGB
& GT
1800**



- | | | | | | |
|---|-----------|---|---|---|---|
| 1 | GCK109 | Clutch kit - Original type (AP Borg & Beck) | 1 | } | Contains clutch plate, clutch cover and release bearing |
| 1 | GCK109Z | Clutch Kit - Reproduction | 1 | | |
| 1 | GCK109HDR | Clutch Kit - Performance | 1 | | Contains clutch plate and clutch cover |

Manufactured by Borg & Beck, the original makers of the MGB clutch, this kit is suitable for both road and track, and has been produced with the tuning enthusiast in mind. It features a higher clamp load and uprated friction material to withstand higher loads (up to 176Nm).

- | | | | |
|---|----------|---|---|
| 2 | GCP116 | Clutch plate - Original type | 1 |
| 3 | GCC118 | Clutch cover - Original type | 1 |
| 4 | GRB106 | Release bearing - Original carbon type | 1 |
| 5 | GRB106RK | Release bearing kit - Roller bearing type | 1 |

An original carbon block release bearing often wears out (and sometimes even breaks) long before the end of the life of the clutch - frustrating, considering the engine/gearbox removal required to replace it. The roller release bearing offers superior operation and reliability and insures against this outcome. Even if you are not usually into modifying your MG, this is a great and highly recommended upgrade. Supplied complete with attachment clips.

- | | | | |
|----|----------|--|-----|
| 6 | 22B66 | Clip - Bearing | 2 |
| 7 | GAC5057 | Clutch Alignment Tool - up to 1965 | 1 |
| 8 | GAC5058 | Clutch Alignment Tool - 1965 on | 1 |
| 7 | SH605071 | Screw - Cover to flywheel | 6 |
| 9 | GHF332 | Washer - Spring | 6 |
| 10 | 22B56 | Release arm | 1 |
| 10 | 22H1056 | Release arm | 1 |
| 11 | RAK1 | Fitting kit - Release arm | 1 |
| 12 | 11G3195 | Bush - Release arm | 1 |
| 13 | 11G3196 | Bolt - Release arm | 1 |
| 14 | 12H2178 | Washer - Plain | 1 |
| 15 | GHF223 | Nut - Locking | 1 |
| 16 | 22H1337 | Gaiter - Release arm - Oval | 1 |
| 17 | 22H1693 | Gaiter - Release arm - Square | 1 |
| 18 | AHH7488 | Propshaft - 30" | 1 |
| 18 | AHH7487 | Propshaft - 31 1/8" | 1 |
| 18 | AHH7487 | Propshaft - 31 1/8" | 1 |
| 18 | AHH7486 | Propshaft - 32" | 1 |
| 19 | 7H3865 | Sleeve - Yoke | 1 |
| 20 | UHN400 | Grease nipple - Sliding joint | 1 |
| 21 | GUJ101 | Universal joint - Sealed (non-greasable) | 2 |
| 22 | GUJ115 | Universal joint - with grease nipple | 2 |
| 23 | 7H3858 | Grease nipple - Universal joint | 2 |
| 24 | 7H3863 | Flange - Yoke | 2 |
| 25 | AAA4039 | Bolt - Propshaft | 8/4 |
| 25 | 22H1107 | Bolt - Propshaft - Gearbox end only | 4 |
| 26 | GHF332 | Washer - Spring - Axle end only | 4 |
| 27 | GHF222 | Nut - Locking | 8 |

18G and GA engines (1962-64)
18GB, GD, GG and 18V engines (1965 on)

3 synchro cars
4 synchro cars

Chrome bumper
Rubber bumper
Banjo axle; 3 synchro non-overdrive gearbox
Banjo axle; 3 synchro overdrive gearbox
Tube axle; 3 synchro non-overdrive, plus all 4 synchro gearboxes
Tube axle; 3 synchro overdrive gearbox

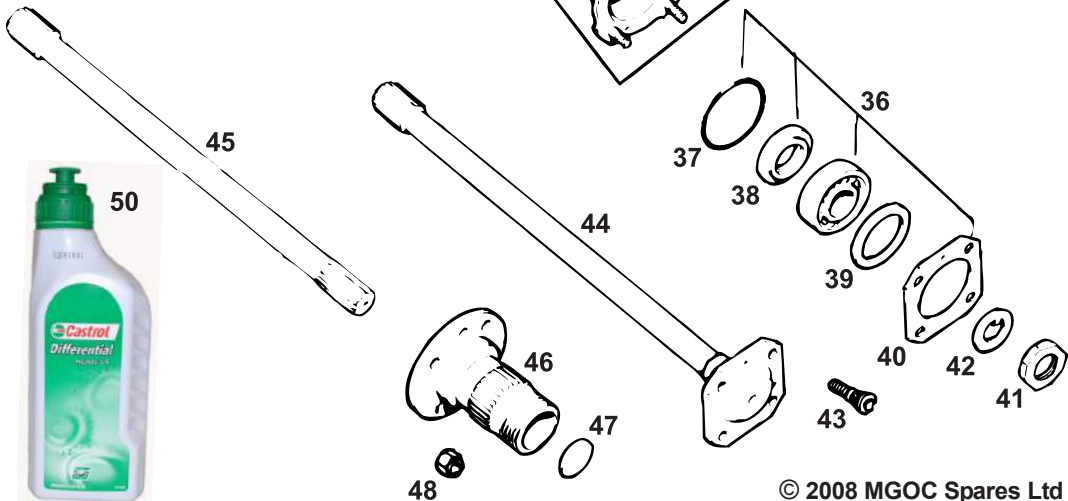
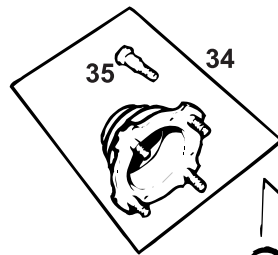
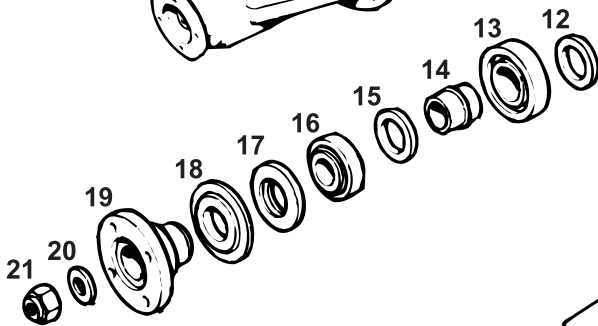
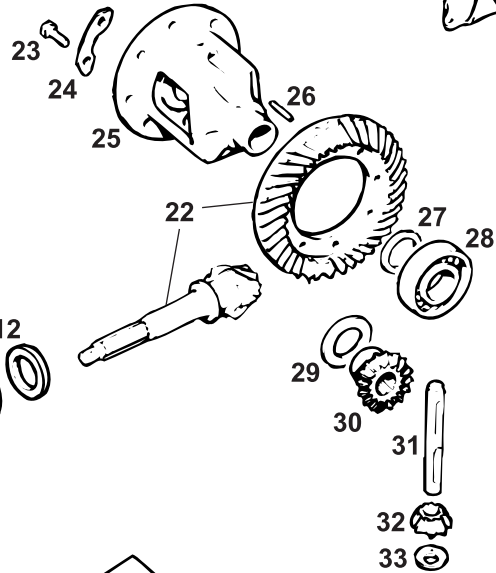
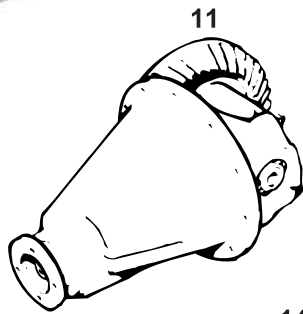
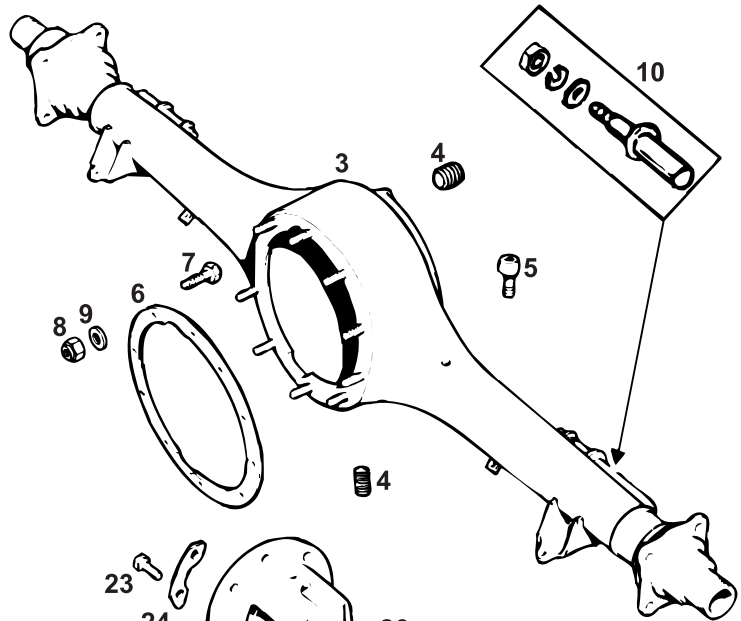
Alternative fitted originally to early cars
Only used on GUJ115 greasable universal joint

Quantity reduced for 4 synchro cars
4 synchro cars

**Telephone: 01954 230928 Fax: 01954 231923, Email: sales@mgocspares.co.uk
Buy Online at www.mgocspares.co.uk**



MGB
& GT
1800



© 2008 MGOC Spares Ltd

Telephone: 01954 230928 Fax: 01954 231923, Email: sales@mgocspares.co.uk

Banjo Axle - Roadsters (all) 1962-65, Roadsters (intermittent fitment) 1965-66

1 W152 Wire wheel conversion kit 1 Banjo axle type

Owners of banjo axle cars fitted with steel wheels and who wish to fit wire wheels can now do so without having to either change the complete rear axle or use non standard bolt-on wire wheels. This MGB banjo axle kit uses specially adapted rear splined hubs to compensate for the greater width of the steel wheel type axle, creating the correct rear wheel arch clearance necessary for wire wheel fitment.

2 G920 Limited slip diff - Quaife - Banjo 1 Banjo axle type

With a standard MG differential, if one wheel loses grip the other loses power immediately. The limited slip differential compensates by transferring power evenly to both wheels, providing excellent grip when accelerating fast or when cornering hard.

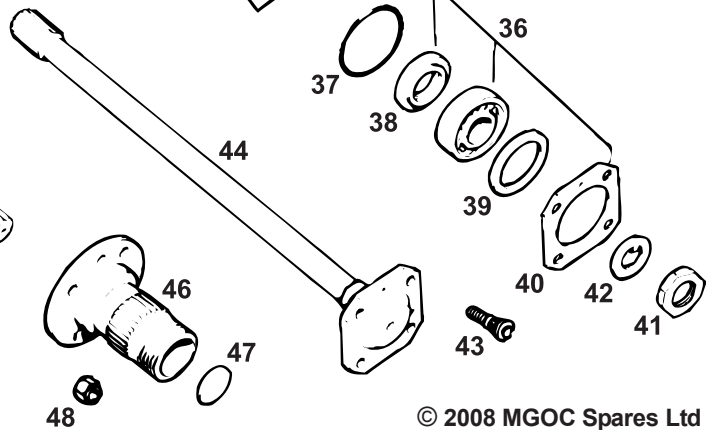
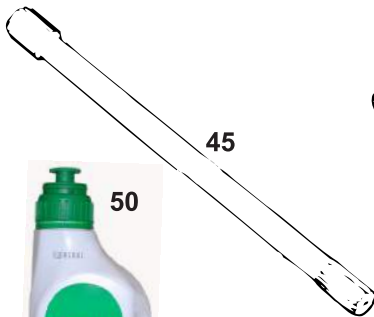
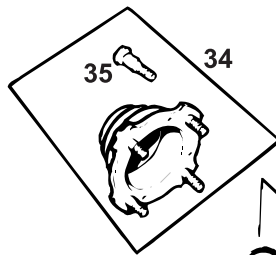
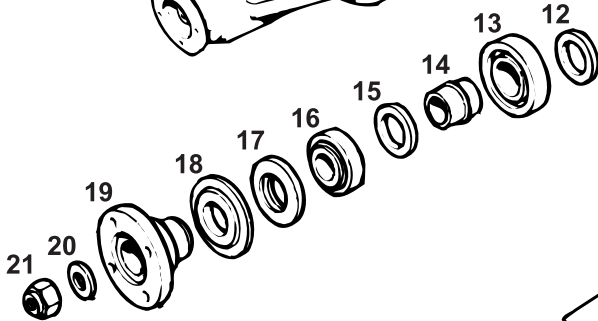
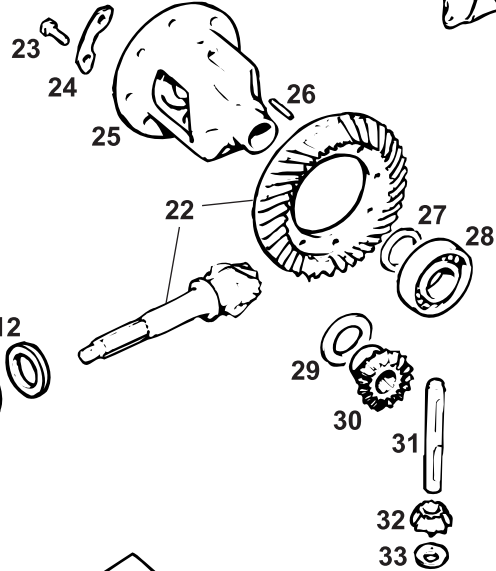
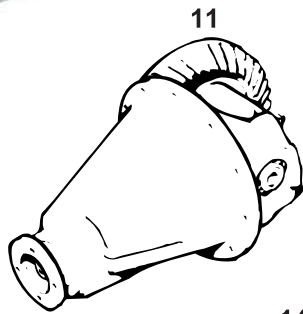
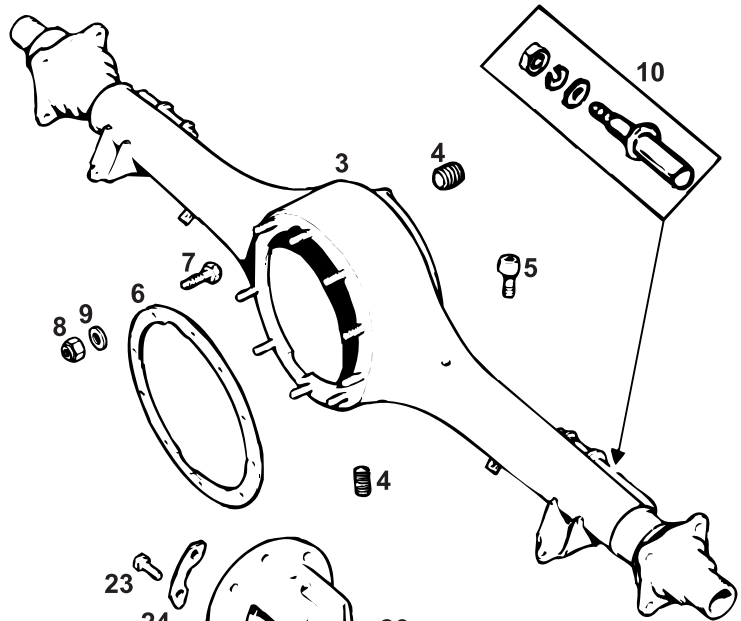
Parts Availability: Some differential components may not be currently available but are still included in the catalogue for reference purposes, or in anticipation that they may be reintroduced in future. These items may be identified by their absence or '0' pricing within our price look up program (please visit our website for price updates). In these circumstances customers should contact our spares team for advice - we will either provide an alternative or give second hand supplier sourcing information to MGOC members.

Please note that in light of the above comments, it may be easier and more cost effective to purchase a reconditioned differential assembly rather than attempt a home rebuild.

3	BTB533	Axle case 1	
3	BTB534	Axle case 1	
4	6K499	Drain and filler plugs 2	
5	21H6060	Breather 1	
6	1G7465	Gasket - Differential to casing 1	
7	2A7226	Stud - Differential to casing 10	
8	GHF201	Nut - Differential to casing 10	
9	GHF332	Washer - Spring 10	
10	ARB101	Repair kit - Axle strap mounting 2	
11	BTB414E	Differential assembly - 3.909:1 1	Standard ratio for MGB
11	BTB1284	Differential assembly - 4.3:1 1	
11	21H6522	Differential assembly - 4.55:1 1	
11	BTB1286	Differential assembly - 4.875:1 1	
12	ATB7064	Washer - Pinion thrust - 0.126" 1	
12	ATB7065	Washer - Pinion thrust - 0.124" 1	
12	ATB7066	Washer - Pinion thrust - 0.122" 1	
12	ATB7067	Washer - Pinion thrust - 0.120" 1	
12	ATB7068	Washer - Pinion thrust - 0.118" 1	
12	ATB7069	Washer - Pinion thrust - 0.116" 1	
12	ATB7070	Washer - Pinion thrust - 0.114" 1	
12	ATB7071	Washer - Pinion thrust - 0.112" 1	
13	100897A	Pinion bearing - Inner 1	
14	1B7240	Bearing spacer 1	
15	ATB7102	Shim - Outer bearing - 0.004" A/R	
15	ATB7103	Shim - Outer bearing - 0.006" A/R	
15	ATB7104	Shim - Outer bearing - 0.008" A/R	
15	ATB7105	Shim - Outer bearing - 0.010" A/R	
15	ATB7106	Shim - Outer bearing - 0.012" A/R	
15	ATB7107	Shim - Outer bearing - 0.020" A/R	
15	ATB7108	Shim - Outer bearing - 0.030" A/R	
16	2A7213	Pinion bearing - Outer 1	
17	88G320	Oil seal 1	
18	1G7439	Dust cover 1	
19	ATB7059	Flange 1	
20	WL600121	Washer - Spring 1	
21	FNZ612	Nut 1	
22	BTB653	Crown wheel and pinion - 3.909:1 1	
22	88G283	Crown wheel and pinion - 4.3:1 1	
22	88G284	Crown wheel and pinion - 4.55:1 1	
22	ATB7056	Crown wheel and pinion - 4.875:1 1	
23	ATA7043	Bolt - Crown wheel 8	
24	6K875	Lock washer 4	
25	BTB328	Cage - Differential 1	
26	6K842	Peg - Pinion pin 1	
27	2K7993	Shim - 0.002" A/R	
27	ATB7239	Shim - 0.003 " A/R	
27	2K7435	Shim - 0.004 " A/R	
27	6K503	Shim - 0.006" A/R	
27	1G7600	Shim - 0.010" A/R	
28	CHM163	Bearing - Differential 2	
29	ATB7072	Thrust washer - Differential wheel 2	
30	BTB150	Wheel - Differential 2	
31	1G7444	Pinion pin 1	
32	ATB7123	Pinion 2	
33	1G7445	Thrust washer - Pinion 2	
34	BTB334	Hub assembly 2	} Steel wheels
35	BTB207	Stud 8	
34	BTB335	Hub assembly 2	} Wire wheels
35	BTB229	Stud 8	
36	GHK1133	Wheel bearing kit 2	
37	ATB7354	'O' ring 2	
38	GHS211	Oil seal 2	



MGB
& GT
1800



© 2008 MGOC Spares Ltd

Telephone: 01954 230928 Fax: 01954 231923, Email: sales@mgocspares.co.uk



**MGB
& GT
1800**



39	1G7436	Spacer - Bearing2		Steel wheel rear hub only
40	GFG115	Gasket2		
41	1G7448	Nut - Right hand thread1		For left hand side of axle
41	1G7582	Nut - Left hand thread1		For right hand side of axle
42	1G7584	Lock washer - Rear hub2		
43	SF604061	Screw - Half shaft to hub assembly2		
44	BTB336	Halfshaft2		Steel wheels
45	BTB153	Halfshaft2		Wire wheels
46	BTB332	Hub - Splined - RH - 12TPI1	}	Wire wheels, up to GHN3 - 30850 (1962 to 1964 approximately)
46	BTB333	Hub - Splined - LH - 12TPI1		
46	BTB732	Hub - Splined - RH - 8TPI1	}	Wire wheels, from GHN3 - 30851 on (1964 approximately to 1966)
46	BTB733	Hub - Splined - LH - 8TPI1		
47	2K8160	Welch plug2	}	Wire wheels
48	GHF225	Nut - Self locking - Brake drum to hub8		
49	1833/7160	Castrol - EP80/90 - 1 Litre A/R		For standard differential
50	1848/7160	Castrol Hypoy LS Gear Oil - 1 Litre A/R		Mineral based SAE90 gear oil for limited slip differentials in fast road use

**Telephone: 01954 230928 Fax: 01954 231923, Email: sales@mgocspares.co.uk
Buy Online at www.mgocspares.co.uk**



© 2008 MGOC Spares Ltd

Tube Axle - Roadsters (intermittent fitment) 1965-66 , Roadsters (all) 1967 on, GT (all) 1965 on

1 W150 Wire wheel conversion kit 1 Tube axle type

Owners of tube axle cars fitted with steel wheels and who wish to fit wire wheels can now do so without having to either change the complete rear axle or use non standard bolt-on wire wheels. This MGB tube axle kit uses specially adapted rear splined hubs to compensate for the greater width of the steel wheel type axle, creating the correct rear wheel arch clearance necessary for wire wheel fitment.

2 G930 Limited slip diff - Quaife - Tube 1 Tube axle type

With a standard MG differential, if one wheel loses grip the other loses power immediately. The limited slip differential compensates by transferring power evenly to both wheels, providing excellent grip when accelerating fast or when cornering hard.

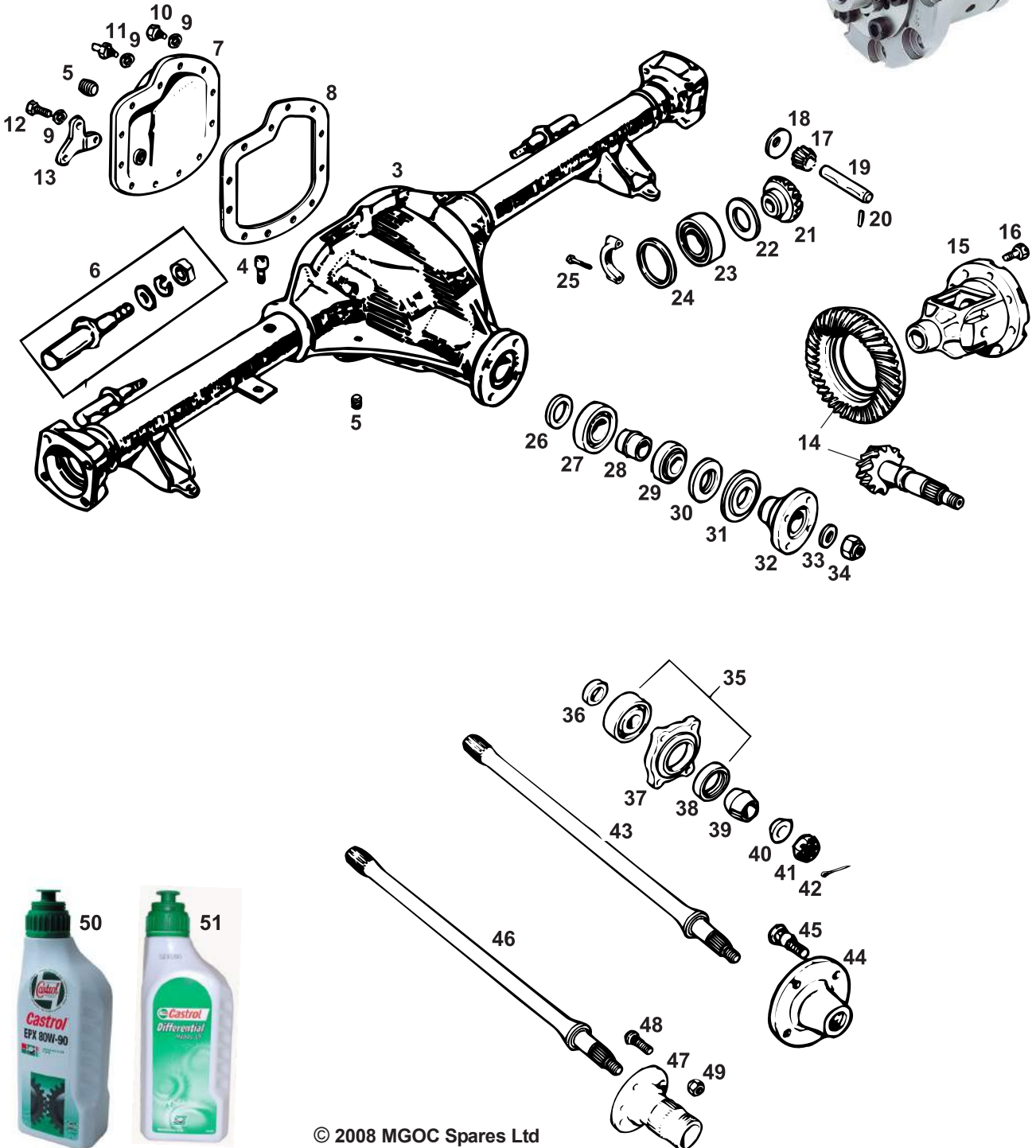
Parts Availability: Some tube axle components may not be currently available but are still included in the catalogue for reference purposes, or in anticipation that they may be reintroduced in future. These items may be identified by their absence or '0' pricing within our price look up program (please visit our website for price updates). In these circumstances customers should contact our spares team for advice - we will either provide an alternative or give second hand supplier sourcing information to MGOC members.

Please note that in light of the above comments, it may be easier and more cost effective to purchase a reconditioned rear axle assembly rather than attempt a home rebuild.

3 BTB1108E Rear axle - Reconditioned - 3.909.01 1 Up to Sept. 1976, steel wheels
 3 BTB1109E Rear axle - Reconditioned - 3.909.01 1 Up to Sept. 1976, wire wheels
 3 DAM4243E Rear axle - Reconditioned - 3.909.01 1 Sept. 1976 on, steel wheels
 3 DAM2487E Rear axle - Reconditioned - 3.909.01 1 Sept. 1976 on, wire wheels

Reconditioned axles are supplied less brakes (backplates, drums, shoes, etc) and flange/splined hub. Not all axles are available from stock - Please enquire for details. Also note that automatic cars used a 3.7:1 ratio axle from GHN4, GHD4 - 158231; prior to this, automatics used the 3.909:1 ratio.

4	21H6060	Breather 1	
5	6K499	Drain and filler plugs 2	
6	ARB101	Repair kit - Axle strap mounting 2	
7	DAM2441	Cover - Axle case 1	
8	BTB674	Gasket 12	
9	GHF332	Washer - Spring 12	
10	SH605041	Screw A/R	
11	BTB872	Screw - With stud 2	
12	BTB676	Bolt - Handbrake bracket 2	
13	BTB738	Bracket - Handbrake compensator 1	
14	BTB856	Crownwheel and pinion - 3.909:1 1	11/43 teeth
14	BTB1244	Crown wheel and pinion - 3.7:1 1	10/37 teeth
14	BTB900	Crown wheel and pinion - 3.07:1 1	14/43 teeth
15	BTB866	Differential cage 1	
16	BTB432	Bolt - Crownwheel 8	
17	ATB7123	Pinion 2	
18	1G7445	Thrust washer - Pinion 2	
19	BTB871	Pinion pin 1	
20	BTB715	Roll pin 1	
21	BTB428	Wheel - Differential 2	
22	ATB7072	Thrust washer - Differential wheel 2	
23	BTC9001	Bearing - Differential 2	
24	BTC466	Collar - Distance - 0.149" 2	
24	BTC465	Collar - Distance - 0.147" 2	
24	BTC464	Collar - Distance - 0.145" 2	
24	BTC463	Collar - Distance - 0.143" 2	
24	BTC462	Collar - Distance - 0.141" 2	
24	BTC461	Collar - Distance - 0.139" 2	
24	BTC286	Collar - Distance - 0.137" 2	
24	BTC287	Collar - Distance - 0.135" 2	
24	BTC288	Collar - Distance - 0.133" 2	
24	BTC289	Collar - Distance - 0.131" 2	
24	BTC290	Collar - Distance - 0.129" 2	
24	BTC291	Collar - Distance - 0.127" 2	
24	BTC292	Collar - Distance - 0.125" 2	
24	BTC293	Collar - Distance - 0.123" 2	
24	BTC460	Collar - Distance - 0.121" 2	
24	BTC459	Collar - Distance - 0.119" 2	
24	BTC458	Collar - Distance - 0.117" 2	
24	BTC457	Collar - Distance - 0.115" 2	
25	BTB669	Bolt - Bearing cap 2	
26	BTB844	Washer - Pinion thrust - 0.222" 1	
26	BTB845	Washer - Pinion thrust - 0.220" 1	
26	BTB846	Washer - Pinion thrust - 0.218" 1	
26	BTB847	Washer - Pinion thrust - 0.216" 1	
26	BTB848	Washer - Pinion thrust - 0.214" 1	
26	BTB849	Washer - Pinion thrust - 0.212" 1	
26	BTB850	Washer - Pinion thrust - 0.210" 1	
26	BTB851	Washer - Pinion thrust - 0.208" 1	
27	539706	Pinion bearing - Inner 1	
28	BTB853	Bearing spacer 1	
29	549420	Pinion bearing - Outer 1	
30	BTB1326	Oil seal 1	
31	BTC350	Dust cover 1	



© 2008 MGOC Spares Ltd



**MGB
& GT
1800**



32	BTB867	Flange1	
33	BTB933	Washer1	
34	BTB753	Nut - Self locking1	
35	GHK1213	Wheel bearing kit2	
36	BTB681	Spacer - Bearing2	
37	BTB682	Plate - Oil seal holder2	
38	GHS179	Oil seal2	
39	AAA982	Collar - Oil seal2	
40	FAM9270	Collar - Split - Half shaft2	
41	BTA249	Nut - Half shaft2	
42	GHF506	Split pin2	
43	BTB700	Half shaft2	} Steel wheels
44	DAM4122	Drive flange2	
45	BTB229	Stud8	} Wire wheels
46	BTB714	Half shaft2	
47	BTB716	Hub - Splined - RH - 8TPI1	
47	BTB717	Hub - Splined - LH - 8TPI1	
48	BTB187	Stud8	
49	BTB728	Nut8	
50	1833/7160	Castrol - EP80/90 - 1 Litre A/R	For standard differential
51	1848/7160	Castrol Hypoy LS Gear Oil - 1 Litre A/R	Mineral based SAE90 gear oil for limited slip differentials in fast road use

**Telephone: 01954 230928 Fax: 01954 231923, Email: sales@mgocspares.co.uk
Buy Online at www.mgocspares.co.uk**

SUSPENSION:

FRONT SPRINGS & WISHBONES

FRONT ANTI ROLL BAR

FRONT CROSSMEMBER

FRONT SHOCK ABSORBERS

FRONT UPGRADES

FRONT STUB AXLES & HUBS

REAR SPRINGS

REAR ANTI ROLL BAR

REAR SHOCK ABSORBERS

REAR UPGRADES

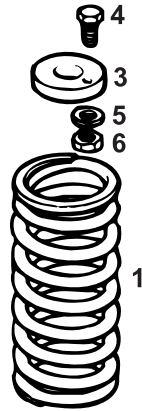




MGB & GT 1800



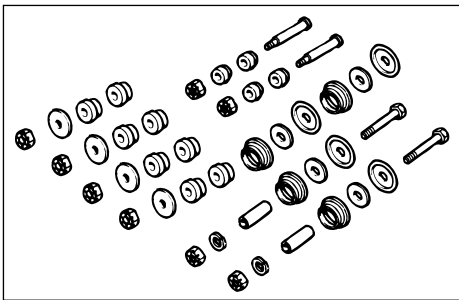
2



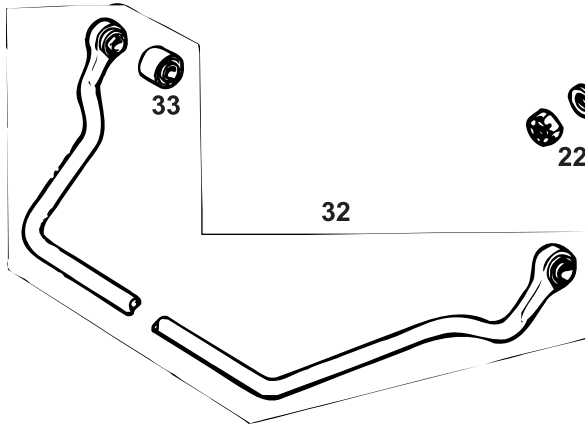
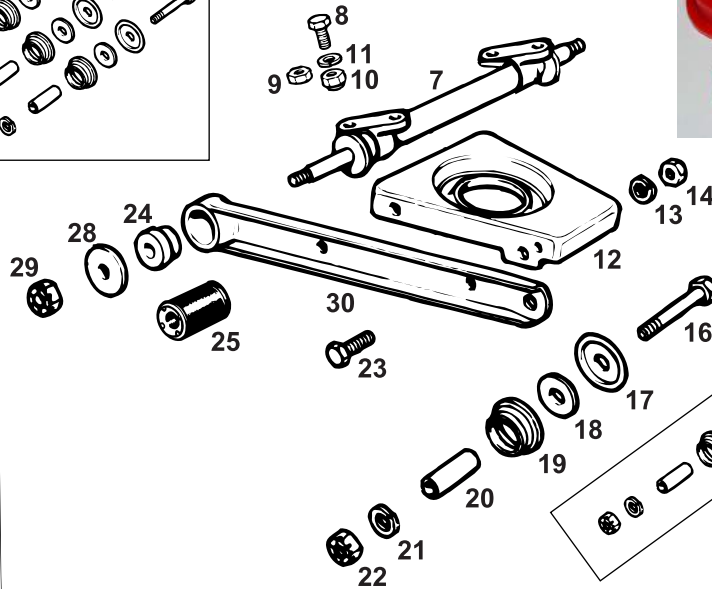
26



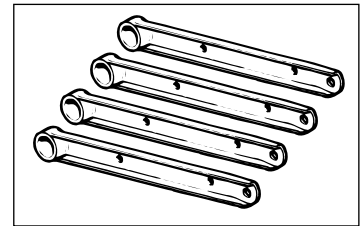
27



54



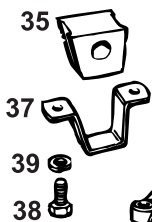
32



34



36

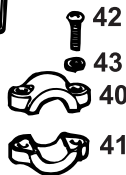


35

37

39

38



42

43

40

41

45

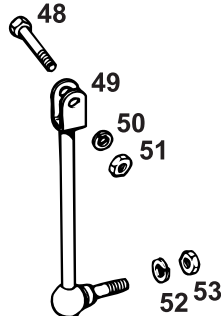
46

47

44

44

44



48

49

50

51

52

53



© 2008 MGOC Spares Ltd



**MGB
& GT
1800**



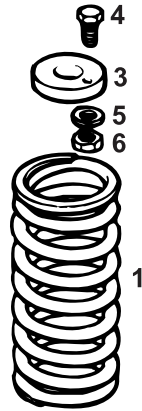
1	CAHT21	Spring - Front - Lowered	2		Special Tuning spec. spring; lowers chrome bumper car by 1" approx.
1	AHH6451	Spring - Front	2	}	Roadster, 1962-72 (chrome bumper)
2	FSK1	Spring kit - Front	1		
1	AHH5789	Spring - Front	2	}	GT, 1965-72 (chrome bumper)
2	FSK2	Spring kit - Front	1		
1	BHH1225	Spring - Front	2	}	Roadster, 1972 on (chrome/rubber bumper); GT, 1975 on (rubber bumper)
2	FSK3	Spring kit - Front	1		
1	BHH1077	Spring - Front	2	}	GT, 1972-74 (chrome bumper)
2	FSK4	Spring kit - Front	1		
3	AHH5897	Spigot - Spring	2		
4	SH604051	Screw	4		
5	GHF331	Washer - Spring	4		
6	GHF200	Nut	4		
7	AHH4003	Pivot - Wishbone	2		
8	ACB5255	Bolt - Pivot to crossmember	8		
9	GHF202	Nut - Plain	4		To fit inner bolts
10	GHF223	Nut - Self locking	4		To fit outer bolts
11	GHF333	Washer - Spring	8		
12	AHH5925	Spring seat	2		
13	GHF332	Washer - Spring	8/6	}	Quantity reduced when anti roll bar fitted
14	GHF201	Nut - Wishbone to spring seat	8/6		
15	BHH1773K	Bottom trunnion assembly	2		Note: Trunnion seal included in king pin kit, or order separately as AAA1323
16	AHH4001	Trunnion bolt	2		
17	AAA1324	Seal support	4		
18	AAA1390	Thrust washer	4		
19	AAA1323	Seal - Bottom trunnion	4		
20	BHH1773	Distance tube	2		
21	GHF335	Washer - Spring	2		
22	ND608041	Nut - Slotted	2		
23	GHF103	Screw - Wishbone to spring seat	8/6		Quantity reduced when anti roll bar fitted
24	AHH7933	Bush - Wishbone - Inner	8		Standard MGB 1800 item (8 required in total)
25	BHH1123	Bush - Wishbone - Inner - V8	4		Heavy duty alternative for MGB 1800 (only 4 required)
26	H075Q	Urethane front bush set	1	}	Fast road
26	AHH7933Q	Bush - Wishbone - Inner - Urethane	8		
27	H075P	Urethane front bush set	1	}	Race
27	AHH7933P	Bush - Wishbone - Inner - Urethane	8		
28	AAA1330	Washer - Inner wishbone bush	4		
29	NL608041	Nut - Slotted	4		Alternative to self-locking nut
29	GHF225	Nut - Self locking	4		Alternative to slotted nut
30	AAA1326	Arm - Wishbone	4/2		Quantity reduced when anti roll bar fitted
30	AHH5927	Arm - Wishbone - Front RH	1	}	When anti roll bar fitted
30	AHH5929	Arm - Wishbone - Front LH	1		
31	WBK1	Wishbone arm kit (incl. bushes)	1		Standard
31	STW1001	Wishbone arm kit (without bushes)	1		Negative camber (fast road/race)
32	BHH1217	Anti roll bar - 9/16"	1		Original for chrome bumper roadster, rubber bumper GT up to Sept. 1976
32	BHH882	Anti roll bar - 5/8"	1		Original for chrome bumper GT, all rubber bumper from Sept. 1976 on
32	BHH1219	Anti roll bar - 3/4"	1		
Note: An anti roll bar was not fitted on the early rubber bumper roadsters (to Sept. 1976) and it was an optional extra on 3 synchro roadsters. The 3/4" bar is a heavy duty Special Tuning item. Care must be taken to fit the bar the correct way up on all cars. See manual AKD3259, section K9.					
33	AHH5939	Bush - Anti roll bar	2		
34	H060	Club handling kit - Front - 3/4"	1		
34	H062	Club handling kit - Front - 7/8"	1		
34	H064	Club handling kit - Front - 1"	1		
35	AHH6541	Bearing - Anti roll bar - 9/16"	2		
35	AHH6541Q	Bearing - Anti roll bar - 9/16" - Urethane	2		Fast road
35	1B4526	Bearing - Anti roll bar - 5/8"	2		
35	1B4526Q	Bearing - Anti roll bar - 5/8" - Urethane	2		Fast road
35	1B4526P	Bearing - Anti roll bar - 5/8" - Urethane	2		Race
35	AHH7927	Bearing - Anti roll bar - 3/4"	2		
35	AHH7927Q	Bearing - Anti roll bar - 3/4" - Urethane	2		Fast road
35	AHH7927P	Bearing - Anti roll bar - 3/4" - Urethane	2		Race
36	H060B	Bearing kit - Anti roll bar - 3/4" - Urethane	1		Fast road
36	H076P	Bearing kit - Anti roll bar - 3/4" - Urethane	1		Race
36	H062B	Bearing kit - Anti roll bar - 7/8" - Urethane	1	}	Fast road/race
36	H064B	Bearing kit - Anti roll bar - 1" - Urethane	1		
37	BHH2000	Strap - Bearing	2		
38	SH605071	Screw	4		
39	GHF332	Washer - Spring	4		
40	21A667	Locator - Anti roll bar - Upper	2	}	To suit 9/16" diameter bar
41	21A668	Locator - Anti roll bar - Lower	2		
42	PMZ312	Screw	4		
43	WL700101	Washer - Spring	4	}	To suit 5/8" diameter bar
44	AHH6546	Locator - Anti roll bar	4		
45	PMZ308	Screw	4		
46	WL700101	Washer - Spring	4		
47	GHF206	Nut	4		



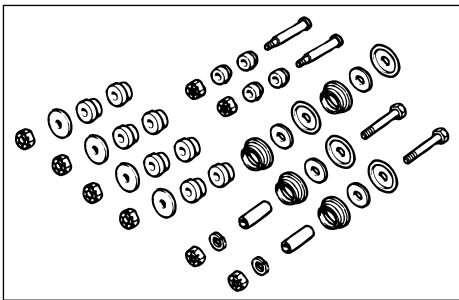
MGB & GT 1800



2



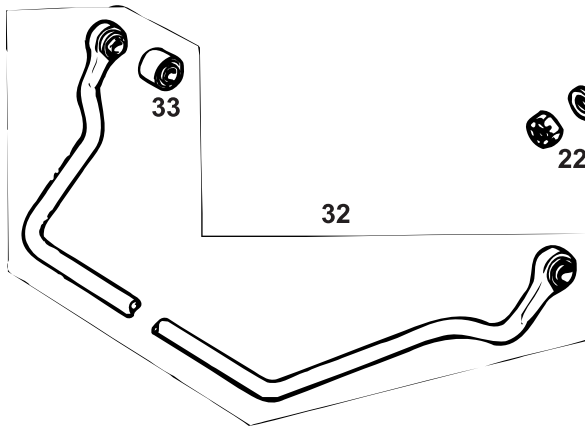
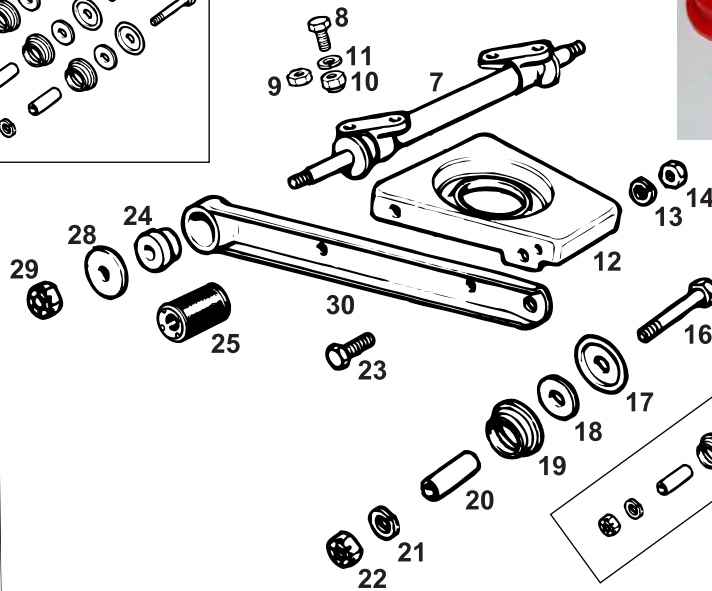
26



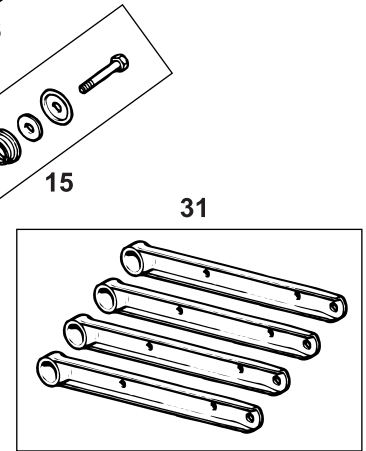
54



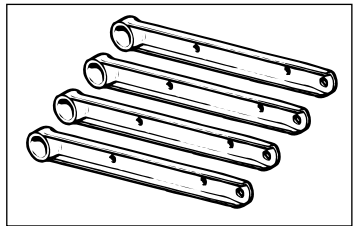
27



32



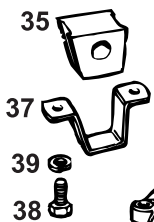
31



34



36

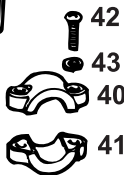


35

37

39

38



42

43

40

41

45

46

47

44

48

49

50

51

52

53



© 2008 MGOC Spares Ltd



**MGB
& GT
1800**



48	AHC146	Bolt - Drop link to anti roll bar2
49	AHH6543	Droplink - Anti roll bar - RH1
49	AHH6544	Droplink - Anti roll bar - LH1
50	GHF303	Washer - Plain2
51	GHF224	Nut - Self locking - Drop link to anti roll bar2
52	GHF335	Washer - Spring2
53	GHF204	Nut - Drop link to wishbone arm2
54	FBK1	Front suspension rebuild kit1
54	FBK2	Front suspension rebuild kit1
54	FBK2R	Front suspension rebuild kit1
54	FBK2Y	Front suspension rebuild kit1

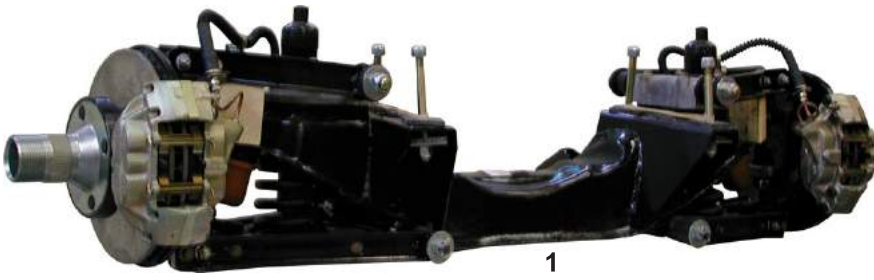
Standard material, with standard MGB inner wishbone bushes
 Standard material, with MGB GT V8 inner wishbone bushes
 Race spec urethane bushes
 Fast road spec. urethane bushes

Front suspension rebuild kits include all bushes top and bottom, fulcrum bolts, nuts, bolts and washers etc.

**Telephone: 01954 230928 Fax: 01954 231923, Email: sales@mgocspares.co.uk
 Buy Online at www.mgocspares.co.uk**



MGB
& GT
1800



1



4



2



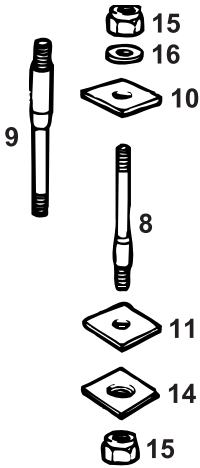
3



5



6



12



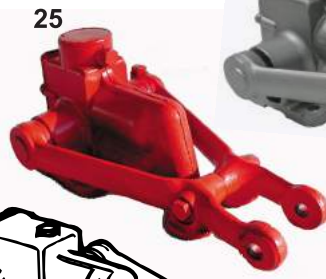
13



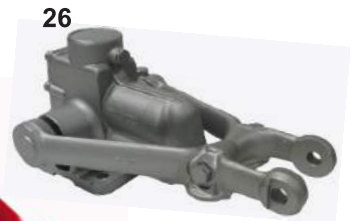
32



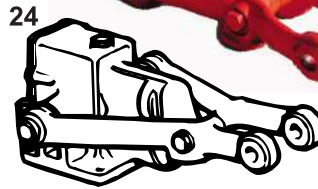
33



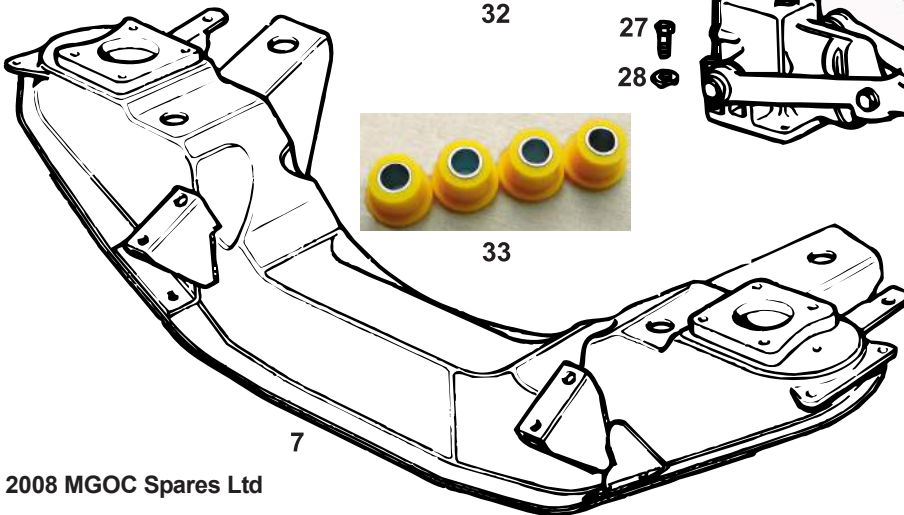
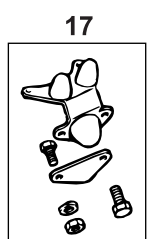
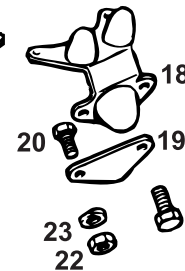
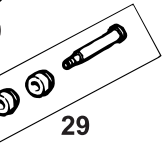
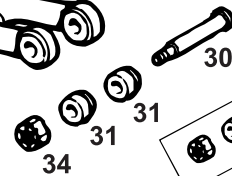
25



26



24



7

© 2008 MGOC Spares Ltd

Telephone: 01954 230928 Fax: 01954 231923, Email: sales@mgocspares.co.uk

1	HMP213011	RV8 suspension - Conversion kit	1	Chrome bumper, steel wheels, RHD
1	HMP213012	RV8 suspension - Conversion kit	1	Chrome bumper, steel wheels, LHD
1	HMP213013	RV8 suspension - Conversion kit	1	Chrome bumper, wire wheels, RHD
1	HMP213014	RV8 suspension - Conversion kit	1	Chrome bumper, wire wheels, LHD
1	HMP213015	RV8 suspension - Conversion kit	1	Rubber bumper, steel wheels, RHD
1	HMP213016	RV8 suspension - Conversion kit	1	Rubber bumper, steel wheels, LHD
1	HMP213017	RV8 suspension - Conversion kit	1	Rubber bumper, wire wheels, RHD
1	HMP213018	RV8 suspension - Conversion kit	1	Rubber bumper, wire wheels, LHD

A superbly engineered, fully-assembled front suspension and braking package, the RV8 front suspension conversion range has unfortunately not been available for a while at time of writing (February 2008). It is anticipated that this range will be reintroduced in future - please contact MGOC Spares for the latest news. Each conversion features the MG RV8's coil over suspension, ball-jointed swivels (creating light effort steering) and 4 pot brakes, ready fitted to a subframe for use on each type of MGB.

2	H003	'Coil Over' front suspension kit	1	
	H003A	Crossmember - Front - Modified	1	Exchange item; required for coil over kit on chrome bumper cars
	H003B	Crossmember - Front - Modified	1	Exchange item; required for coil over kit on rubber bumper cars
	H003AP	Crossmember - Front - Modified	1	Exchange item; required for coil over kit on power steering cars

The H003 telescopic damper front suspension unit is designed around competition quality AVO adjustable coil over suspension units. The professionally engineered tubular wishbones are also fully adjustable for castor and camber.

3 H004 Front Telescopic Conversion Kit 1
A complete bolt on upgrade for the MGB, developed and tested on road and track to increase efficiency, grip and feel at the front end without adding any harshness. Specially developed gas dampers greatly improve the ride quality. The conversion can be used with standard, lowered or uprated springs and anti-roll bars.

4 H005 Koni Front Telescopic Conversion 1
An excellent, well-proven modification for positive handling and smooth ride. Easy to fit and supplied complete with all fixings and stainless braided brake hoses. Oil-filled Koni Classic dampers are fully adjustable and have a worldwide reputation for quality.

5 H030 Spax Front Telescopic Conversion 1
A well-proven modification giving positive handling with the facility of instant, 14 point adjustment on the gas filled dampers by means of an accessible adjuster screw. All fittings and braided brake hoses included.

6 H051 Gaz Front Telescopic Conversion 1
Zinc-plated and freon gas-filled with very positive adjustment through 32 settings.

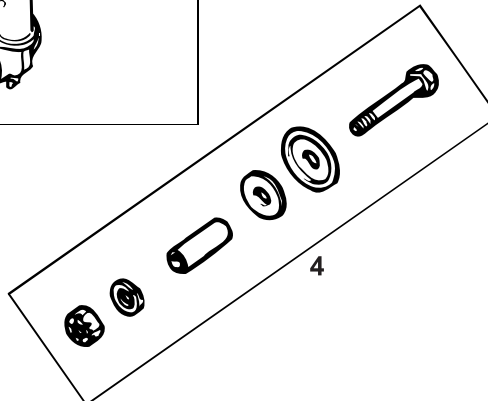
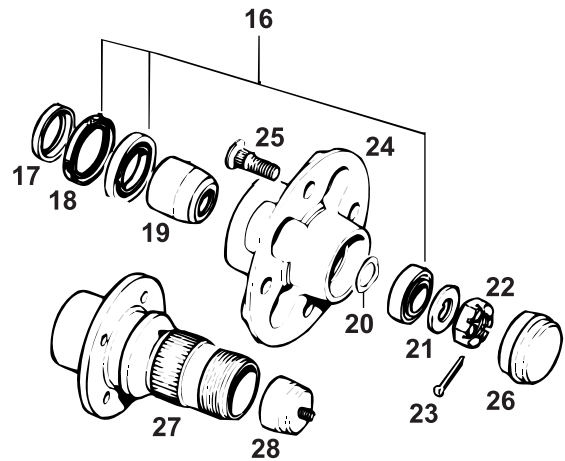
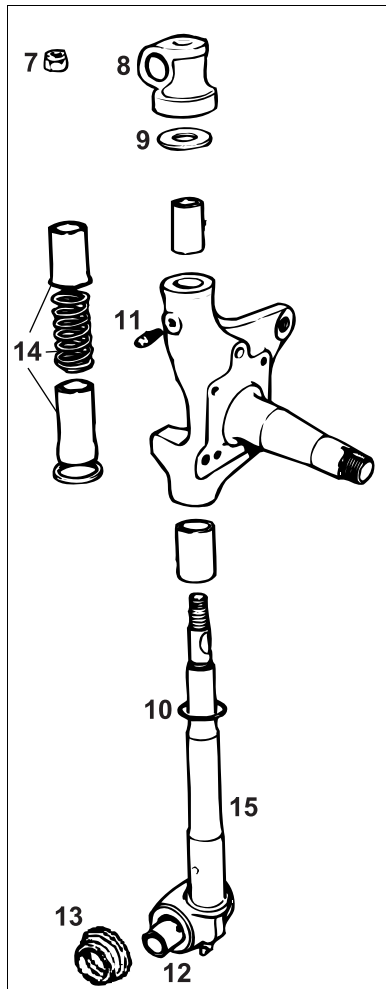
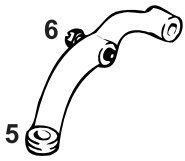
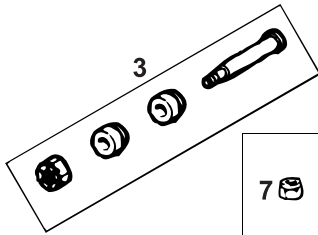
7	AHH6195SR	Crossmember - Reconditioned	1	Chrome bumper
7	BHH803SR	Crossmember - Reconditioned	1	Rubber bumper, RHD
7	BHH804SR	Crossmember - Reconditioned	1	Rubber bumper, LHD
8	AHH6204	Bolt - Mounting	4/2	Quantity reduced for rubber bumper cars
9	BHH805	Bolt - Mounting	2	Rubber bumper cars
10	AHH6205	Pad - Mounting - Upper	4	
11	AHH6206	Pad - Mounting - Lower	4	
12	H079P	Pad kit - Mounting - Urethane	1	Race set
13	H079Q	Pad kit - Mounting - Urethane	1	Road set
14	AHH6207	Plate - Clamp	4	
15	GHF225	Nut - Self locking	8	
16	GHF304	Washer - Plain	4	
17	AHH6514K	Bumpstop kit	2	Includes bumpstop, spacer and fixings
18	AHH6514	Bumpstop	2	
19	AAA5024	Spacer - Bumpstop	2	
20	GHF120	Screw	4	
21	GHF104	Bolt	4	
22	GHF201	Nut	8	
23	GHF332	Washer - Spring	8	
24	GSA119	Shock absorber - New	2	
24	GSA119E	Shock absorber - Exchange	2	Reconditioned
25	GSA119UE	Shock absorber - Uprated - Exchange	2	Reconditioned; approximately 30% stiffer
26	GSA119QE	Shock absorber - Quality Exchange	2	Reconditioned; see note below

Quality exchange MGB front shock absorbers have been introduced to give MG owners a wider choice of quality serviceability and performance over the basic exchange unit, at less than half the price of a brand new unit. 'QE' units have rebushed spindle housings with internal components replaced as necessary prior to rebuilding, shot-blasting and painting silver. They are supplied complete with 2 year warranty.

27	BTB198	Bolt	8	
28	GHF333	Washer - Spring	8	
29	TTK1	Top trunnion kit	2	With standard material bushes
29	TTK1Y	Top trunnion kit	2	With fast road urethane bushes
29	TTK1R	Top trunnion kit	2	With race urethane bushes
30	1G4349	Pin - Top trunnion	2	
31	8G621	Bush - Trunnion - 'Barrel' type	4	
31	8G621Z	Bush - Trunnion - 'Top hat' type	4	
32	8G621P	Bush - Trunnion - 'Top hat' type - Race	4	
33	8G621Q	Bush - Trunnion - 'Top hat' type - Road	4	
34	NL607041	Nut - Slotted	2	Alternative to self-locking nut
34	GHF224	Nut - Self locking	2	Alternative to slotted nut



MGB
& GT
1800



© 2008 MGOC Spares Ltd

Telephone: 01954 230928 Fax: 01954 231923, Email: sales@mgocspares.co.uk



**MGB
& GT
1800**



- 1 BTB764BE Reamed stub axle and king pin - 1
with top trunnion fitted - RH - Exchange
- 1 BTB765BE Reamed stub axle and king pin - 1
with top trunnion fitted - LH - Exchange

The stub axles BTB764BE and BTB765BE have had the king pin bushes fitted and reamed to suit. Built up axles have the vertical shimming already done. We only require the stub axles, top trunnion on exchange- none of the king pin kit is re-used.

- 2 BTB764QE Stub axle ass'y - with bearing - RH - Exch . 1
- 2 BTB765QE Stub axle ass'y - with bearing - LH - Exch . 1

In the BTB764/5QE stub axle assemblies, needle roller bearings giving smoother and lighter action are fitted in place of the standard thrust washers. All stub axles are reconditioned with new king pins and bushes and are supplied complete with top trunnions. Available on an exchange basis.

- | | | | |
|------------|-----------------------------------|---------|---|
| 3 TTK1 | Top trunnion kit | 2 | With standard material bushes |
| 3 TTK1Y | Top trunnion kit | 2 | With fast road urethane bushes |
| 3 TTK1R | Top trunnion kit | 2 | With race urethane bushes |
| 4 BHH1773K | Bottom trunnion assembly | 2 | Note: Bottom trunnion seal included with king pin kit, or order separately |
| 5 BTB396 | Steering arm - RH | 1 | |
| 5 BTB397 | Steering arm - LH | 1 | |
| 6 BTB410 | Bolt | 4 | |
| 7 ATC4265 | Nut - Slotted | 2 | Alternative to self-locking nut |
| 7 GHF226 | Nut - Self locking | 2 | Alternative to slotted nut |
| 8 ATC4249 | Top trunnion | 2 | |
| 9 BTB803 | Thrust washer - "Oilite" | 2 | |
| 10 21B252 | 'O' ring - Square cross section | 2 | Fits at bottom of dust tube kit |
| 10 TRS1620 | 'O' ring - Round cross section | 2 | Fits at bottom of king pin |
| 11 UHN445 | Grease nipple - King pin | 2 | |
| 11 UHN400 | Grease nipple - Stub axle upper | 2 | |
| 11 549229 | Grease nipple - Stub axle lower - | 2 | |
| | Long type | | |
| 11 UHN400 | Grease nipple - Stub axle lower - | 2 | |
| | Short type | | |

Early stub axles were not fitted with lower grease nipples. Details of how to fit them are contained in workshop manual AKD3259.

- | | | | |
|------------|------------------------|-----------|--|
| 12 BTB768 | Bush - Bottom trunnion | 2 | |
| 13 AAA1323 | Seal - Bottom trunnion | 4 | |
| 14 21B251K | Dust tube kit | 2 | |
| 15 GSJ231D | King pin kit (pair) | 1 | Supplied with stub axle bushes, O rings and thrust washers |
| 16 GHK1005 | Wheel bearing kit | 2 | |
| 17 BTB183 | Collar | 2 | |
| 18 GHS101 | Oil seal | 2 | |
| 19 88G484 | Spacer - Bearing | 2 | |
| 20 ATB4240 | Shim - 0.003" | A/R | |
| 20 ATB4241 | Shim - 0.005" | A/R | |
| 20 ATB4242 | Shim - 0.010" | A/R | |
| 20 BTB656 | Shim - 0.030" | A/R | |

The shim should be chosen to give an end float of 0.002" to 0.004" on the bearings. If starting without any shims we suggest 2 off ATB4240 ATB4241 ATB4242 and 1 off BTB656

- | | | | |
|-------------|----------------------------|---------|--------------------------|
| 20 ATB4242K | Shim kit | 1 | |
| 21 1A4742 | Washer | 2 | |
| 22 51K330 | Nut - Slotted | 2 | |
| 23 GHF505 | Split pin | 2 | |
| 24 DAM4121 | Hub assembly | 2 | } Steel wheels |
| 25 BTB187 | Stud | 8 | |
| 26 2A4067 | Grease cap | 2 | } Wire wheels - see note |
| 27 BTB346 | Hub - Splined - RH - 12TPI | 1 | |
| 27 BTB347 | Hub - Splined - LH - 12TPI | 1 | |
| 27 BTB730 | Hub - Splined - RH - 8TPI | 1 | |
| 27 BTB731 | Hub - Splined - LH - 8TPI | 1 | |

Early cars up to GHN3-30850 (approximately 1962-64) used 12 TPI threads on the hubs and spinners. Ensure that you order the correct type.

- | | | | |
|-----------|---------------------------|---------|----------------------|
| 28 BTC392 | Grease cap | 2 | Wire wheels |
| 29 W152 | Wire wheel conversion kit | 1 | Banjo rear axle type |
| 29 W150 | Wire wheel conversion kit | 1 | Tube rear axle type |

Owners of banjo or tube rear axle cars fitted with steel wheels and who wish to fit wire wheels can now do so without having to either change the complete rear axle or use non standard bolt-on wire wheels. These MGB banjo and tube axle kits use specially adapted rear splined hubs to compensate for the greater width of the steel wheel type axle, creating the correct rear wheel arch clearance necessary for wire wheel fitment.

**Telephone: 01954 230928 Fax: 01954 231923, Email: sales@mgocspares.co.uk
Buy Online at www.mgocspares.co.uk**



MGB & GT 1800



1



2



3



22

10

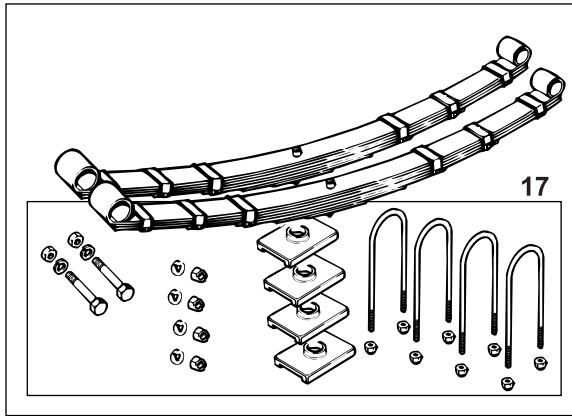


23

11

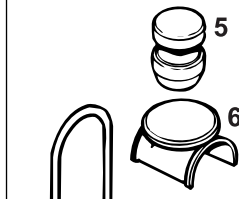


4



17

16



5

6



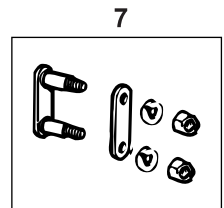
8

9

12

13

14



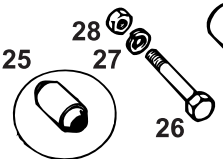
7



18

19

15

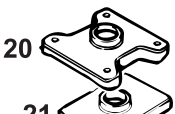


28

27

26

25



20

21

24

30

29

31

32

33

34

35

36

© 2008 MGOC Spares Ltd

Telephone: 01954 230928 Fax: 01954 231923, Email: sales@mgocspares.co.uk



**MGB
& GT
1800**



1	H100	Lowering kit	1	Rubber bumper roadster
1	H105	Lowering kit	1	Rubber bumper GT
1	H101	Lowering kit	1	Chrome bumper roadster
1	H106	Lowering kit	1	Chrome bumper GT

The rubber bumper MGB is notorious for its inferior handling, owing to its increased ride height. The Club lowering kit replaces the front and rear springs, effectively reducing the ride height to that of chrome bumper models. Kits also available for chrome bumper models. Note if converting a rubber bumper car that chrome bumper type shock absorber link arms are also required if lever arm type shock absorbers are to be retained.

2	H110	Lowering block kit	1	Banjo axle
2	H115	Lowering block kit	1	Tube axle

Improved handling can be gained by using 1" lowering blocks between the springs and axle. Kits also include elongated U bolts.

3	PSK01	Parabolic spring kit	1	Banjo axle, chrome bumper roadster
3	PSK02	Parabolic spring kit	1	Tube axle, chrome bumper roadster
3	PSK02Y	Parabolic spring kit	1	Tube axle, chrome bumper roadster. Includes fast road bushes.
3	PSK03	Parabolic spring kit	1	Chrome bumper GT
3	PSK04	Parabolic spring kit	1	Rubber bumper roadster
3	PSK04Y	Parabolic spring kit	1	Rubber bumper roadster. Includes fast road bushes.
3	PSK05	Parabolic spring kit	1	Rubber bumper GT
3	PSK05Y	Parabolic spring kit	1	Rubber bumper GT. Includes fast road bushes.

Small bumps in the road do not generate sufficient force to flex a conventional multi-leaf spring, so the bump shock is transmitted from the still rigid springs, through the car to the occupants. Parabolic springs have a taper rolled into them, being thickest at the centre and thinning evenly to each end. The degree of taper is calculated proportionately to the springs' length and load specification. With precise stress distribution throughout their length, the springs can flex to absorb minor impacts while retaining their load bearing capability. Thus ride comfort is greatly improved, and so is handling because of the greater tyre to road contact achieved. Parabolic spring kits are also available with fast road urethane rear suspension bushes. They must be fitted in conjunction with telescopic rear shock absorbers.

4	H140	Single leaf spring kit	1	Roadster
4	H145	Single leaf spring kit	1	GT
5	AHH9158	Bump rubber	2	
6	AHH6053	Pedestal - Bump rubber	2	Banjo axle
6	AHH7335	Pedestal - Bump rubber	2	Tube axle
7	AHH5018K	Shackle kit	2	
8	AHH5018	Shackle	2	
9	2A5176	Shackle bush	8	
10	H077Q	Shackle bush set - Urethane	1	Fast road
11	H077P	Shackle bush set - Urethane	1	Race
12	AHH5019	Shackle plate	2	
13	GHF333	Washer - Spring	4	
14	GHF202	Nut	4	
15	GSV1006	Rear spring - With interleaving	2	Chrome bumper roadster
15	AHC31	Rear spring - With interleaving	2	Chrome bumper GT
15	BHH1779	Rear spring - With interleaving	2	Rubber bumper roadster
15	BHH1767	Rear spring - With interleaving	2	Rubber bumper GT
15	CAHT20	Rear spring - With interleaving	2	Special Tuning spec. spring; lowers chrome bumper car by 1" approx.
16	RSK1	Spring kit - Rear	1	Banjo axle chrome bumper roadster
16	RSK1Y	Spring kit - Rear	1	Banjo axle chrome bumper roadster. Includes fast road bushes.
16	RSK1R	Spring kit - Rear	1	Banjo axle chrome bumper roadster. Includes race bushes.
16	RSK2	Spring kit - Rear	1	Tube axle chrome bumper roadster
16	RSK2Y	Spring kit - Rear	1	Tube axle chrome bumper roadster. Includes fast road bushes.
16	RSK2R	Spring kit - Rear	1	Tube axle chrome bumper roadster. Includes race bushes.
16	RSK3	Spring kit - Rear	1	Chrome bumper GT
16	RSK3Y	Spring kit - Rear	1	Chrome bumper GT. Includes fast road bushes.
16	RSK3R	Spring kit - Rear	1	Chrome bumper GT. Includes race bushes.
16	RSK4	Spring kit - Rear	1	Rubber bumper roadster
16	RSK4Y	Spring kit - Rear	1	Rubber bumper roadster. Includes fast road bushes.
16	RSK4R	Spring kit - Rear	1	Rubber bumper roadster. Includes race bushes.
16	RSK5	Spring kit - Rear	1	Rubber bumper GT
16	RSK5Y	Spring kit - Rear	1	Rubber bumper GT. Includes fast road bushes.
16	RSK5R	Spring kit - Rear	1	Rubber bumper GT. Includes race bushes.
17	SFK1	Spring fitting kit	1	Banjo axle
17	SFK1Y	Spring fitting kit	1	Banjo axle. Includes fast road bushes.
17	SFK1R	Spring fitting kit	1	Banjo axle. Includes race bushes.
17	SFK2	Spring fitting kit	1	Tube axle
17	SFK2Y	Spring fitting kit	1	Tube axle. Includes fast road bushes.
17	SFK2R	Spring fitting kit	1	Tube axle. Includes race bushes.
18	AHH6452	'U' bolt	4	Banjo axle
18	AHC109	'U' bolt	4	Tube axle
19	GHF223	Nut - Self locking	8	
20	ACG5001	Spring plate	4	Banjo axle
20	AHH7334	Spring plate	4	Tube axle
21	ACG5002	Spring pad	4	
22	H078Q	Spring pad set - Urethane	1	Fast road
23	H078P	Spring pad set - Urethane	1	Race
24	AHH5067	Bracket - Shock absorber - RH	1] Banjo axle
24	AHH5068	Bracket - Shock absorber - LH	1	
24	AHH7337	Bracket - Shock absorber - RH	1] Tube axle
24	AHH7338	Bracket - Shock absorber - LH	1	
25	AHH6446	Bush - 'Silentbloc'	2	



MGB
& GT
1800



1



2



3



22

10

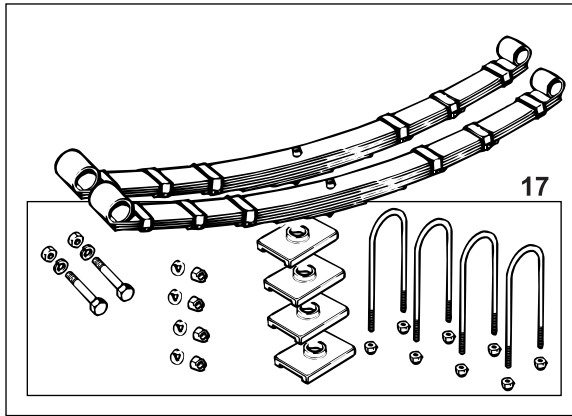


23

11

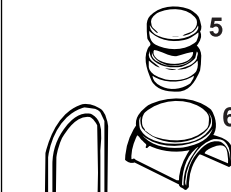


4



17

16



5

6

18

19

8

9

12

13

14

7

25

28

27

26

20

21

24

30

29

31

32

33

34

35

36

© 2008 MGOC Spares Ltd

Telephone: 01954 230928 Fax: 01954 231923, Email: sales@mgocspares.co.uk



**MGB
& GT
1800**



26	BH607241	Bolt	2	
27	GHF334	Washer - Spring	2	
28	GHF203	Nut	2	
29	AHH6355	Rebound strap	2	Chrome bumper
29	BHH989	Rebound strap	2	Rubber bumper
30	BH605151	Bolt	2	
31	AHH6162	Distance tube - Rebound strap	2	
32	GHF332	Washer - Spring	2	
33	GHF201	Nut	2	
34	GHF202	Nut	2	
35	GHF333	Washer - Spring	2	
36	PWZ206	Washer	2	

**Telephone: 01954 230928 Fax: 01954 231923, Email: sales@mgocspares.co.uk
Buy Online at www.mgocspares.co.uk**



MGB
& GT
1800



1



2



5



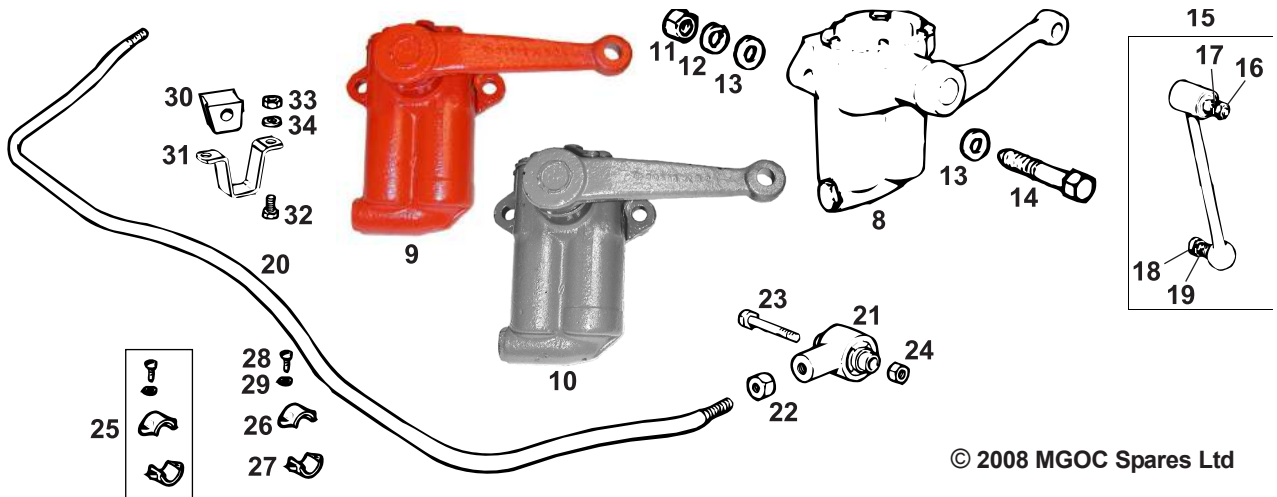
6



3



7



© 2008 MGOC Spares Ltd

Telephone: 01954 230928 Fax: 01954 231923, Email: sales@mgocspares.co.uk

1	H421	5 Link Rear Suspension Conversion	1	Chrome and rubber bumper roadster (tube axle only)
1	H424	5 Link Rear Suspension Conversion	1	Chrome and rubber bumper GT
The ultimate rear suspension set up for MGBs. Consensus of opinion is that a properly located live axle will outperform any independent set up, particularly those with unavoidable design compromises. Computer-aided design and rigorous road and track testing have resulted in a bolt-on, 5-link, coil spring rear suspension set up that transforms not only the handling of the MG, but also the ride quality and comfort.				
2	H150	Rear Suspension Panhard Rod Conversion	1	Wire wheels (tube axle only)
2	H155	Rear Suspension Panhard Rod Conversion	1	Steel wheels (tube axle only)
The Panhard rod from the 5 link rear suspension conversion is also available separately for those owners requiring one to add to their own rear suspension specification. Eliminates rear axle torque steer and positively locates axle to prevent lozenging or fouling of rear wings by oversized rear tyres.				
3	H180	Anti-Tramp Location Kit	1	
Increase that all-important rear axle location and prevent rear spring 'wind-up' on your V8 Supersport by fitting anti-tramp bars. This particular anti-tramp bar was developed to feature straight-forward fitment and good ground clearance.				
4	BMH4018	Reinforcement bracket kit - Anti tramp bars	1	
The original MG RV8 anti tramp bar location brackets, fixed to the body shell at the rear spring hangers.				
5	H001	Koni Rear Telescopic Conversion	1	
Easy and straight forward to install - as shown - for greatly improved handling. Includes all fixings, plus the famous oil-filled, fully adjustable, top quality Koni dampers.				
6	H022	Spax Rear Telescopic Conversion	1	
Spax telescopic dampers are gas-filled and feature a 14 point, instantly adjustable mechanism to vary from soft to hard ride within seconds.				
7	H052	Gaz Rear Telescopic Conversion	1	
Zinc-plated and freon gas-filled with very positive adjustment through 32 settings.				
8	GSA367	Shock absorber - LH - New	1] Reconditioned
8	GSA368	Shock absorber - RH - New	1	
8	GSA367E	Shock absorber - LH - Exchange	1	
8	GSA368E	Shock absorber - RH - Exchange	1	
9	GSA367UE	Shock absorber - LH - Uprated - Exchange	1] Reconditioned; approximately 30% stiffer than standard
9	GSA368UE	Shock absorber - RH - Uprated - Exchange	1	
10	GSA367QE	Shock absorber - LH - Quality exchange . .	1] Reconditioned; see note below
10	GSA368QE	Shock absorber - RH - Quality exchange . .	1	
Quality exchange MGB front shock absorbers have been introduced to give MG owners a wider choice of quality serviceability and performance over the basic exchange unit, at less than half the price of a brand new unit. 'QE' units have rebushed spindle housings with internal components replaced as necessary prior to rebuilding, shot-blasting and painting silver. They are supplied complete with 2 year warranty.				
11	GHF203	Nut	4	
12	GHF334	Washer - Spring	4	
13	GHF303	Washer - Plain	8	
14	BH607261	Bolt - Long	4/2	Quantity reduced for rubber bumper
14	BH607241	Bolt - Short	2	Rubber bumper
15	97H2031	Link arm	2	Chrome bumper
15	37H8778	Link arm	2	Rubber bumper
16	GHF203	Nut	2	
17	GHF334	Washer - Spring	2	
18	GHF204	Nut	2	
19	GHF335	Washer - Spring	2	
A rear anti roll bar was fitted to rubber bumper cars from September 1976 on. It is not possible to fit the bar to earlier cars without extensive welding and fabrication of suitable brackets.				
20	BHH2003	Anti roll bar - Rear	1] Sept. 1976 on
21	21H6655	Joint - Anti roll bar	2	
22	NT610041	Nut	2	
23	BH607241	Bolt	2	
24	GHF224	Nut - Self locking	2	
25	11H462K	Locator kit - Anti roll bar	1	
26	11H462	Locator - Top	2	
27	11H463	Locator - Bottom	2	
28	PMZ312	Screw	4	
29	WL700101	Washer - Spring	4	
30	AHH7921	Bearing - Anti roll bar - 11/16 in	2	
31	BHH2000	Strap - Bearing	2	
32	GHF120	Screw	4	
33	GHF201	Nut	4	
34	GHF332	Washer - Spring	4	

**Telephone: 01954 230928 Fax: 01954 231923, Email: sales@mgocspares.co.uk
Buy Online at www.mgocspares.co.uk**

STEERING:

STEERING WHEELS

STEERING COLUMNS

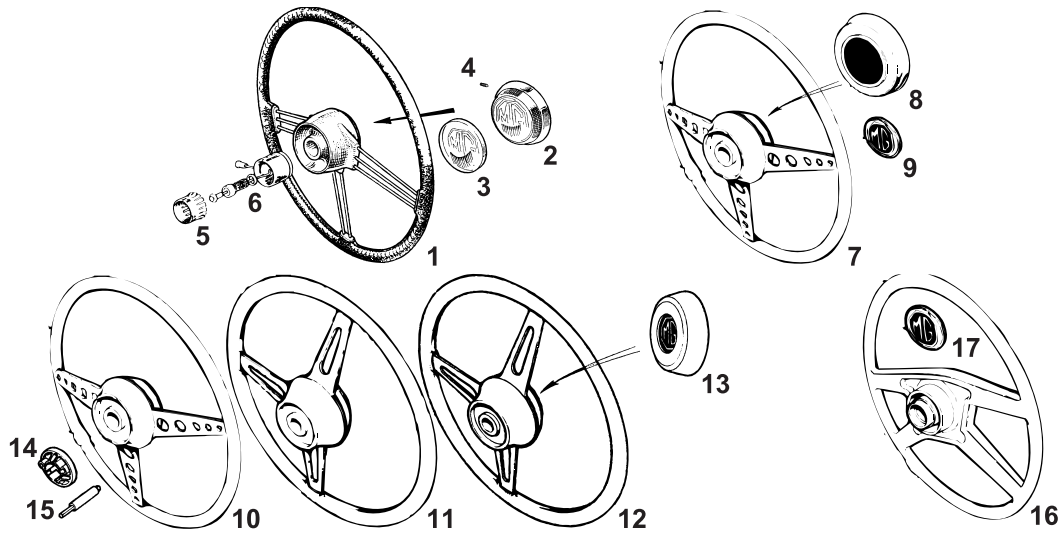
STEERING RACK

POWER STEERING CONVERSION





MGB
& GT
1800



© 2008 MGOC Spares Ltd

Telephone: 01954 230928 Fax: 01954 231923, Email: sales@mgocspares.co.uk



**MGB
& GT
1800**



1	AHH9284	Steering wheel - Original	1	1962-69
2	AHH6319	Horn push - Original style	1	
3	57H5593	Badge - Horn push	1	
4	53K2613	Grub screw - Horn push retaining	1	1970 (pierced silver spokes)
5	27H5401	Slip ring - Horn	1	
6	7H6903	Rotor assembly - Horn	1	1970
7	BHH111	Steering wheel - Original	1	
8	31G1039	Centre pad - Original style (without horn)	1	1971-73 (pierced silver spokes)
9	BHA4979	Badge - Centre pad	1	
10	BHH291	Steering wheel - Original	1	1973-74 (slotted silver spokes)
11	BHH786	Steering wheel - Original	1	
12	BHH1307	Steering wheel - Original	1	1974 to Sept. 1976 (embossed silver spokes)
12	BHH1813	Steering wheel - Original	1	
13	BHA5043	Horn push - Black badge	1	1975 Jubilee edition (embossed black spokes)
13	BHA5135	Horn push - Red badge	1	
13	AAU1161	Horn push - Gold badge	1	1971-72
14	BHA5042	Slip ring - Horn	1	
15	BHA5041	Contact - Horn ('pencil')	1	1972 to Sept. 1976
16	BHH1853	Steering wheel - Original	1	
17	BHH1994	Badge - Wheel centre - Black	1	1975 Jubilee edition; also other 1975 built cars
17	CHA747	Badge - Wheel centre - Silver	1	
17	BHH2687	Badge - Wheel centre - Red	1	1971 to Sept. 1976
18	S131	Steering Wheel - Wood	1	
				Sept. 1976 on
				Sept. 1976 to 1979
				1979-80
				1980 Limited Edition

Reproduction of the 1960s MGB competition wheel with machine-turned spokes

19	S100	Steering wheel - Moto Lita - 13" - Wood	1	Flat spokes
19	S101	Steering wheel - Moto Lita - 14" - Wood	1	
19	S102	Steering wheel - Moto Lita - 14" - Wood	1	Dished spokes
19	S103	Steering wheel - Moto Lita - 15" - Wood	1	
19	S104	Steering wheel - Moto Lita - 15" - Wood	1	Flat spokes
20	S110	Steering wheel - Moto Lita - Walnut Rim	1	
21	S120	Steering wheel - Moto Lita - 13" - Leather	1	Dished spokes
21	S121	Steering wheel - Moto Lita - 14" - Leather	1	
21	S122	Steering wheel - Moto Lita - 14" - Leather	1	Flat spokes
21	S123	Steering wheel - Moto Lita - 15" - Leather	1	
22	S207	Steering wheel - Club - 13.5" - Wood	1	Semi-dished spokes
23	S200	Steering wheel - Club - 13" - Leather	1	
23	S201	Steering wheel - Club - 14" - Leather	1	Black spokes
24	S204	Steering wheel - Club - 13" - Leather	1	
24	S205	Steering wheel - Club - 14" - Leather	1	Polished spokes
25	S301	Steering wheel - Momo - 350mm	1	
26	S302	Steering wheel - Momo - 350mm	1	Prototipo
27	S305	Steering wheel - Momo - 350mm	1	
	S315	Ring and pad	1	Monte Carlo
28	S308	Steering wheel - Momo - 350mm	1	
				Millenium
				For Momo Millenium wheel
				Race Silver

Whilst every effort is made to maintain a consistent range of steering wheels, please note that Momo steering wheel styles are subject to change without prior notice. Please contact our MGOC Accessories team for advice on current products and availability.

29	S161	Boss Kit - Moto Lita - Without Screws	1	Moto Lita wheels include screws
30	S213	Boss Kit - Club - With Screws	1	
	S222	Screw Pack - Club Boss	1	Club wheels do not include screws
31	S293	Boss Kit - Momo - With Screws	1	
32	S153	Wheel Centre - Aluminium - No Horn Push	1	Momo wheels do not include screws
33	S151	Wheel Centre - Aluminium - Horn Push	1	
34	S150	Wheel Centre - Aluminium - Horn Push	1	Leaves wheel screws exposed
35	S145	Wheel Centre - Classic Style - Horn Push	1	
				Covers wheel screws

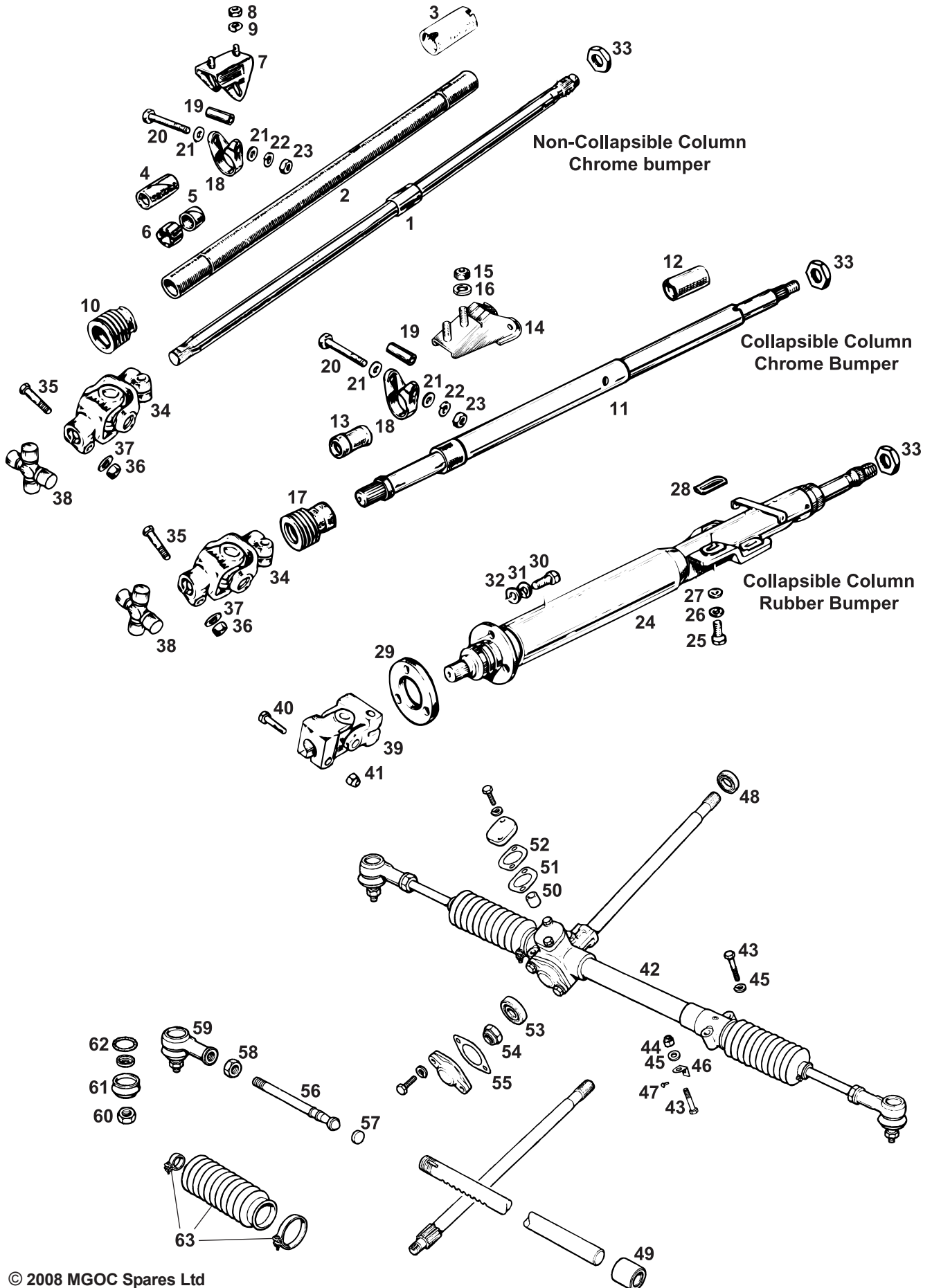
As fitted to early MGB/MGC, the attractive Classic Style centre incorporates the Club's own fitting modification and can be fitted to Moto Lita or competition wheels.

WARNING : Great care should be taken when changing steering wheels, column bushes etc on collapsible steering columns. Undue force could cause the column to collapse.

**Telephone: 01954 230928 Fax: 01954 231923, Email: sales@mgocspares.co.uk
Buy Online at www.mgocspares.co.uk**



**MGB
& GT
1800**



© 2008 MGOC Spares Ltd

Telephone: 01954 230928 Fax: 01954 231923, Email: sales@mgocspares.co.uk



**MGB
& GT
1800**



1	17H6577	Column - Inner	1	Non-collapsible column. GHN3/4 and GHD3/4 cars
2	17H6578	Column - Outer	1	
1	7H6972	Column - Inner - (Column lock fitted)	1	Non-collapsible column. GHN5, GHD5 cars up to 258000
2	7H6969	Column - Outer - (Column lock fitted)	1	
1	37H4768	Column - Inner	1	For non-collapsible columns fitted up to GHN5, GHD5 - 258000
2	37H4763	Column - Outer	1	
1	37H4767	Column - Inner - (Column lock fitted)	1	Collapsible column. Chrome bumper from chassis number 258001
2	37H4765	Column - Outer - (Column lock fitted)	1	
3	FAM2406	Bush - Upper- Nylon (replaces felt original)	1	For top and bottom of column on all chrome bumper cars
4	17H6565	Bush - Lower - Felt - Without steering lock	1	
5	13H569	Bush - Lower - Felt - With steering lock	1	For top and bottom of column on all chrome bumper cars
6	13H568	Clip - Lower bush - With steering lock	1	
7	AHH6311	Bracket - Column - Lower	1	Collapsible column. Rubber bumper to Sept. 1976
8	GHF201	Nut	2	
9	GHF332	Washer - Spring	2	Collapsible column. Rubber bumper from Sept. 1976 on
10	AHA5435	Seal - Column to bulkhead	2	
11	BHH515	Column - Collapsible type	1	GHN3/4 and GHD3/4 cars
12	MPB1001	Bush - Upper	1	
13	MPB1002	Bush - Lower	1	GHN5, GHD5 cars
14	BHH516	Bracket - Column - Lower	1	
15	GHF201	Nut	2	Chrome bumper
16	GHF332	Washer - Spring	2	
17	BHH531	Seal - Column to bulkhead	1	Rubber bumper
18	AHH6005	Clamp - Steering column	2	
19	AHH6006	Distance tube	2	Chrome bumper, RHD
20	BH605181	Bolt	2	
21	GHF301	Washer - Plain	4	Chrome bumper, LHD
22	GHF332	Washer - Spring	2	
23	GHF201	Nut	2	Rubber bumper, RHD
24	BHH1596	Column - Collapsible type	1	
24	BHH1856	Column - Collapsible type	1	Rubber bumper, LHD
25	SH606101	Screw	3	
26	GHF333	Washer - Spring	3	Alternative to original type
27	PWZ206	Washer - Plain	3	
28	AHH8695	Spacer	3	Alternative to original type
29	AHA8720	Seal	1	
30	GHF120	Screw	3	Alternative to original type
31	GHF332	Washer - Spring	3	
32	GHF201	Washer - Plain	3	Alternative to original type
33	ACH6001	Nut - Steering wheel	1	
33	BHH2103	Nut - Steering wheel	1	Alternative to original type
34	AHH6000	Universal joint assembly	1	
35	BH605131	Bolt	2	Alternative to original type
36	GHF201	Nut	2	
37	GHF332	Washer - Spring	2	Alternative to original type
38	GUJ200	Universal joint	1	
39	GLR3084	Universal joint Assembly	1	Alternative to original type
40	BHH1791	Bolt	2	
41	GHF222	Nut - Self locking	2	Alternative to original type
42	AHH6091	Steering rack - New	1	
42	AHH6091E	Steering rack - Recon	1	Alternative to original type
42	AHH6121	Steering rack - New	1	
42	AHH6121E	Steering rack - Recon	1	Alternative to original type
42	BHH1848	Steering rack - New	1	
42	BHH1848E	Steering rack - Recon	1	Alternative to original type
42	BHH1849	Steering rack - New	1	
42	BHH1849E	Steering rack - Recon	1	Alternative to original type
43	BH605181	Bolt	4	
44	GHF222	Nut - Self locking	2	Alternative to original type
45	GHF332	Washer - Spring	4	
46	AHH6007	Shim - Packing	A/R	Alternative to original type
47	GHF600	Pop rivet	A/R	
48	17H6560	Oil Seal - Pinion	1	Alternative to original type
49	17H8664X	Support bush - Rack - Solid	1	
50	ACA5244	Pad - Damper	1	Alternative to original type
51	17H6566	Shim - Cover plate - 0.0024"	A/R	
51	17H6567	Shim - Cover plate - 0.005"	A/R	Alternative to original type
51	17H6568	Shim - Cover plate - 0.010"	A/R	
52	17H6584	Gasket - Cover plate	1	Alternative to original type
53	6K803	Bearing - Pinion	1	
54	17H6562	Nut - Bearing retaining	1	Alternative to original type
55	17H6564	Gasket - Cover plate	1	
56	17H8713	Tie Rod	2	Alternative to original type
57	17H6571	Seat - Ball	2	
58	53K320	Locknut - Track rod end	2	Alternative to original type
59	GSJ168	Track rod end	2	
59	GSJ168Q	Track rod end - QH	2	Alternative to original type
59	GSJ168Z	Track rod end - Reproduction	2	
60	GHF224	Nut - Self locking	2	Alternative to original type
61	17H3501	Boot - Track rod end	2	
62	17H3503	Clip - Boot	2	Alternative to original type
63	GSV1155	Rack gaiter kit	1	

Telephone: 01954 230928 Fax: 01954 231923, Email: sales@mgocspares.co.uk

Buy Online at www.mgocspares.co.uk



1



2



Pre-modified crossmember, with rack brackets welded in position, supplied on exchange basis



Electro-hydraulic kits also available - please contact us for details



Rubber bumper 1976 onwards installation, featuring belt-driven pump powered from double alternator pulley

© 2008 MGOC Spares Ltd

A power steering kit is the ultimate and most worthwhile MG accessory yet, exclusively from MGOC Spares. Comprises a modern conventional mechanical pump (electro-hydraulic pump/motor version also available - please contact us for details), together with a new hydraulically assisted steering rack. This greatly reduces the effort required to steer when manoeuvring at low speeds or when parking, and also provides virtually effortless control throughout long journeys, still retaining positive road feel. When parking, steering effort is reduced by a perceived 55%, which equates to an effort of only 4Nm measured at the steering column wheel nut. This is a properly engineered power steering conversion, produced by an accredited British specialist manufacturer.

In Enjoying MG, editor Richard Ladds commented "My MGB is fitted with 15" alloys, shod with 185/65 x 15 Yokohamas. Whilst this combination gives great grip and sure-footed handling, the drawback is heavy steering when parking. Now having test-driven an MGB with power steering conversion fitted, parking is a doddle with virtually no effort required. At higher speed the steering, although lighter, remains responsive with plenty of road feel and even through bumpy bends the line remained consistent and predictable."

In order to install the power steering rack, the crossmember requires modified rack mountings; therefore the MGB power steering conversion is optionally available with a ready-modified crossmember. If a kit is purchased without the modified crossmember, a jig with which to accurately position the rack mountings on the crossmember prior to welding in place is supplied on loan, upon payment of a refundable surcharge. There are two types of power steering conversion available for MGBs. The majority of conversion kits include a mechanically driven (belt driven) pump and cover all MGB engine bay variations - all the kits listed here are mechanically driven. However, there is also an option featuring an electro-hydraulic pump available for pre-electric cooling fan fitted MGBs (i.e. pre-Sept. 1976 models); installation of the electro-hydraulic system may be more complex, so we would advise customers to contact us to discuss this option.

1 H600 Power steering conversion - Mechanical - .1 Chrome bumper, RHD
Without modified crossmember

In the H600 kit, steering rack brackets are included for welding to the crossmember in situ. This avoids removal of the crossmember and transfer of the components. A rack bracket welding jig (H620) is required and is available for loan, upon payment of a refundable surcharge. This kit best suits professional workshop installation.

2 H601 Power steering conversion - Mechanical - .1 Chrome bumper, RHD
With modified crossmember

Complete kit, featuring a mechanical pump and including pump brackets, alternator and pump pulleys. This option best suits those undertaking the conversion in a workshop at home, as the rack mounting brackets are pre-welded to a crossmember. The modified crossmember (H606E) is supplied on an exchange basis.

1 H607 Power steering conversion - Mechanical - .1 Rubber bumper 1975 to Sept. 1976, RHD
Without modified crossmember

In the H607 kit, steering rack brackets are included for welding to the crossmember in situ. This avoids removal of the crossmember and transfer of the components. A rack bracket welding jig (H625) is required and is available for loan, upon payment of a refundable surcharge. This kit best suits professional workshop installation.

2 H608 Power steering conversion - Mechanical - .1 Rubber bumper 1975 to Sept. 1976, RHD
With modified crossmember

Complete kit, featuring a mechanical pump and including pump brackets, alternator and pump pulleys. This option best suits those undertaking the conversion in a workshop at home, as the rack mounting brackets are pre-welded to a crossmember. The modified crossmember (H611E) is supplied on an exchange basis.

1 H609 Power steering conversion - Mechanical - .1 Rubber bumper Sept. 1976 on, RHD
Without modified crossmember

In the H609 kit, steering rack brackets are included for welding to the crossmember in situ. This avoids removal of the crossmember and transfer of the components. A rack bracket welding jig (H625) is required and is available for loan, upon payment of a refundable surcharge. This kit best suits professional workshop installation.

2 H610 Power steering conversion - Mechanical - .1 Rubber bumper Sept 1976 on, RHD
With modified crossmember

Complete kit, featuring a mechanical pump and including pump brackets, alternator and pump pulleys. This option best suits those undertaking the conversion in a workshop at home, as the rack mounting brackets are pre-welded to a crossmember. The modified crossmember (H611E) is supplied on an exchange basis.

1 H632 Power steering conversion - Mechanical - .1 Cars fitted with MG RV8 type crossmember, RHD
Without modified crossmember

In the H632 kit, steering rack brackets are included for welding to the crossmember in situ. This avoids removal of the crossmember and transfer of the components. A rack bracket welding jig (H630) is required and is available for loan, upon payment of a refundable surcharge. This kit best suits professional workshop installation.

1 H650 Power steering conversion - Mechanical - .1 Chrome bumper, LHD
Without modified crossmember

In the H650 kit, steering rack brackets are included for welding to the crossmember in situ. This avoids removal of the crossmember and transfer of the components. A rack bracket welding jig (H620) is required and is available for loan, upon payment of a refundable surcharge. This kit best suits professional workshop installation.

1 H659 Power steering conversion - Mechanical - .1 Rubber bumper Sept. 1976 on, LHD
Without modified crossmember

In the H659 kit, steering rack brackets are included for welding to the crossmember in situ. This avoids removal of the crossmember and transfer of the components. A rack bracket welding jig (H675) is required and is available for loan, upon payment of a refundable surcharge. This kit best suits professional workshop installation.

2 H660 Power steering conversion - Mechanical - .1 Rubber bumper Sept 1976 on, LHD
With modified crossmember

Complete kit, featuring a mechanical pump and including pump brackets, alternator and pump pulleys. This option best suits those undertaking the conversion in a workshop at home, as the rack mounting brackets are pre-welded to a crossmember. The modified crossmember (H661E) is supplied on an exchange basis.

BRAKES:

FRONT DISCS & PADS

REAR DRUMS & SHOES

BRAKE TOOLS

HANDBRAKE

BRAKE & CLUTCH PEDALS

MASTER CYLINDERS

SERVO

BRAKE AND CLUTCH PIPES





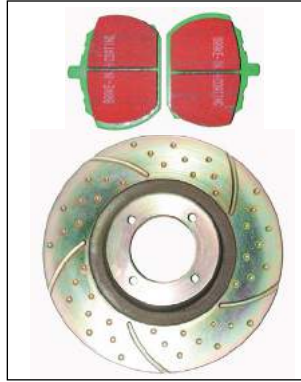
**MGB
& GT
1800**



© 2008 MGOC Spares Ltd



1



2

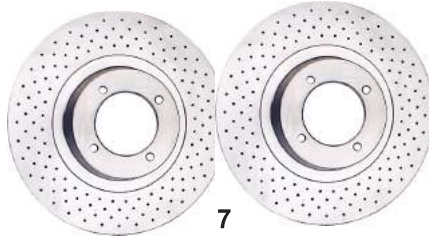


4

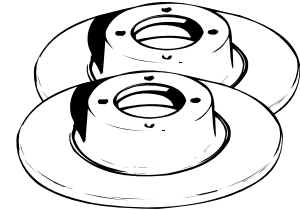
5



6



7



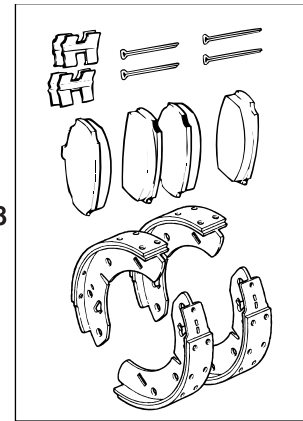
8



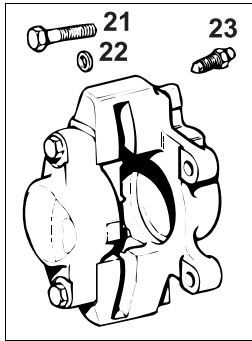
17



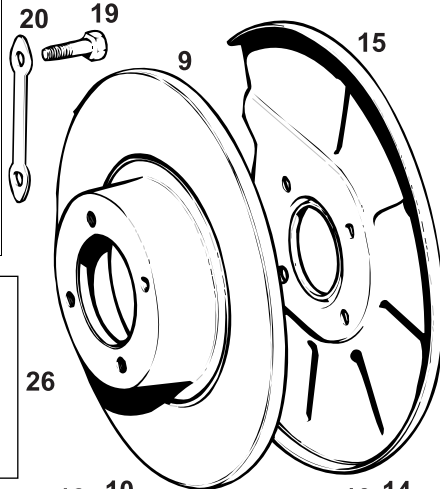
16



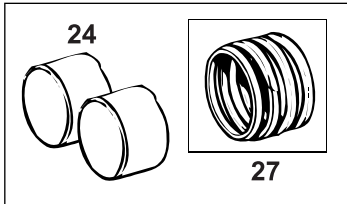
28



18

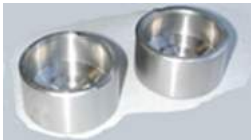


15



24

27



25



36



11

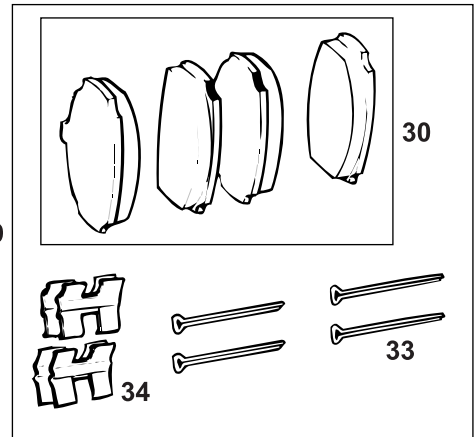
12

10

31



32

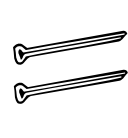


29

30

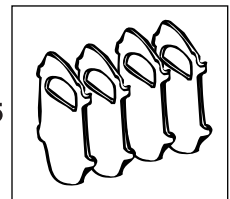


34



33

35



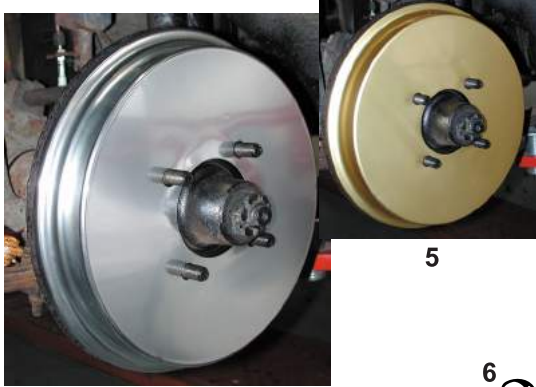
Slotted and dimpled or drilled discs improve braking efficiency by trapping and removing the gas film given off by pad materials under heavy braking which would otherwise lessen brake friction. These discs are especially good when used with Kevlar pads.

- | | | | | |
|---|-----------|--|---|--|
| 1 | H200 | Club performance brake package | 1 | |
| A pair of Club six slotted brake discs together with a set of EBC Green Stuff brake pads, to give your braking a huge gain in performance at a bargain price! | | | | |
| 2 | H592X | EBC 'X25' brake upgrade kit | 1 | |
| The brake discs and pads kit was developed as an upgrade for 4 cylinder MGBs by EBC and features their slotted and dimpled disc design together with Green Stuff pads. The discs are 25% thicker than standard MGB, while the pads have 25% increased surface area. | | | | |
| 3 | H225 | Brake disc kit - Six slot - Club | 1 | |
| Top quality slotted discs at outstanding value | | | | |
| 4 | H322 | Brake disc kit - Six slot - Red Dot | 1 |] For heat dissipation to prevent brake fade at high temperature |
| 5 | H332 | Brake disc kit - Twelve slot - Red Dot | 1 | |
| Red Dot slotted discs provide efficient heat dissipation, guarding against brake fade caused by high temperature during arduous use. Choice of six or twelve slotted designs. | | | | |
| 6 | H392 | Brake disc kit - Slotted and dimpled - EBC | 1 | |
| EBC's well-known and highly regarded slotted and dimpled discs, for maximum braking efficiency. | | | | |
| 7 | H215A | Brake disc kit - Drilled | 1 | |
| Improve braking efficiency with these discs, drilled to provide cooling to delay and prevent brake fade under extreme conditions. | | | | |
| 8 | BDK1 | Brake disc kit - Original type | 1 | |
| 9 | GBD156 | Brake disc - Original type | 2 | |
| 9 | GBD156Z | Brake disc - Reproduction | 2 | |
| 10 | BTB198 | Bolt - Disc to hub | 8 | |
| 11 | FNZ506 | Nut | 8 | |
| 12 | GHF333 | Washer - Spring | 8 | |
| 13 | SH605041 | Screw - Dust cover | 8 | |
| 14 | GHF332 | Washer - Spring | 8 | |
| 15 | BTB412 | Dust cover - RH | 1 |] Original black finish |
| 15 | BTB413 | Dust cover - LH | 1 | |
| 16 | BTB412S | Dust cover - RH | 1 |] Corrosion-resistant stainless steel |
| 16 | BTB413S | Dust cover - LH | 1 | |
| 17 | 27H4650 | Calliper - RH - New | 1 | |
| 17 | 27H4651 | Calliper - LH - New | 1 | |
| 18 | 27H4650E | Calliper - RH - Reconditioned | 1 |] With standard pistons |
| 18 | 27H4651E | Calliper - LH - Reconditioned | 1 | |
| 18 | 27H4650SE | Calliper - RH - Reconditioned | 1 |] With stainless steel pistons |
| 18 | 27H4651SE | Calliper - LH - Reconditioned | 1 | |
| 19 | ATB4074 | Bolt - Calliper | 4 | |
| 20 | BTC114 | Lock tab - Calliper | 2 | |
| 21 | 27H4353 | Bolt - Bridge | 4 | |
| 22 | 17H7679 | Seal - Bridge | 2 | |
| Note: Unless it is absolutely unavoidable the caliper should not be separated into two halves. If it is essential to separate the caliper a new bridge seal must be fitted and new bridge bolts (torqued to 35.5-37lb ft) fitted. | | | | |
| 23 | 3H2428 | Bleed screw | 2 | |
| 24 | 17H7989 | Piston - Calliper - Standard | 4 | |
| 25 | 17H7989SS | Piston - Calliper - Stainless steel | 4 | Alternative |
| 26 | 8G8641K | Pistons and seals kit | 2 | Includes two standard pistons plus genuine seal kit |
| 27 | GRK5007 | Seal kit - Calliper | 2 | |
| 28 | BKB1 | Brake pads and shoes kit | 1 | Includes a car set of original type brake pads and shoes |
| 29 | GBP202K | Brake pad set and fitting kit | 1 | Includes 4 pads, plus retainers and pins |
| 30 | GBP202 | Brake pad set | 1 | Original type pads |
| 31 | H362 | Brake pad set - EBC Green Stuff | 1 | Original dimensions |
| 31 | H362X | Brake pad set - EBC Green Stuff X25 | 1 | 25% increased surface area pads - see X25 kit above |
| EBC Green Stuff Kevlar pads increase friction and braking efficiency in fast road use, with minimal dust generated. | | | | |
| 32 | H302 | Brake pad set - Red Dot XE | 1 | |
| 32 | H312 | Brake pad set - Red Dot XF | 1 | |
| Designed primarily for very high powered road cars and competition use, Red Dot XF Kevlar-based pads are stable up to 950°C. | | | | |
| 33 | PS610241 | Pin - Brake pad retaining | 4 | |
| 34 | 17H7990 | Spring - Brake pad retaining | 4 | |
| 35 | ASV101 | Anti squeal shim set (4 in set) | 1 | |
| 36 | A350S | Calliper Paint Kit - Silver | 1 | |
| Calliper paint kits include heat resistant two pack paint and pre-cleaner. Sufficient for 4 callipers | | | | |

**Telephone: 01954 230928 Fax: 01954 231923, Email: sales@mgocspares.co.uk
Buy Online at www.mgocspares.co.uk**

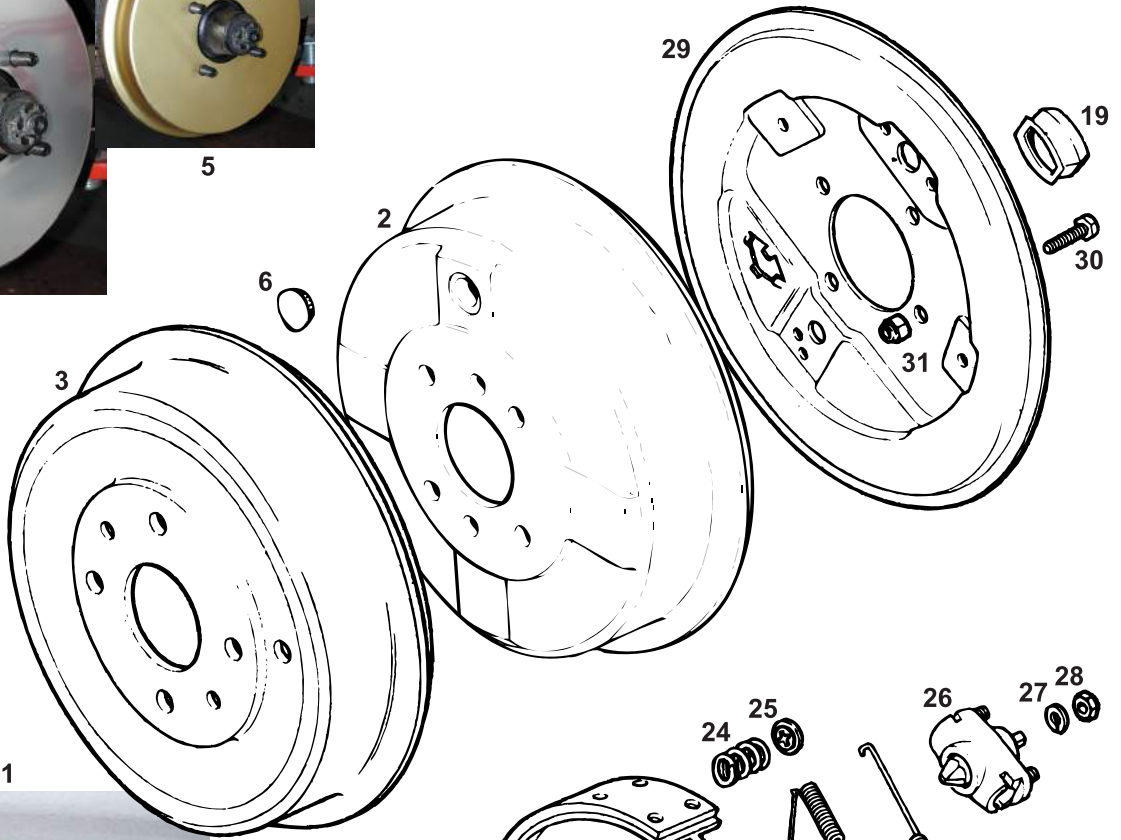


MGB & GT
1800



4

5



1

23

14

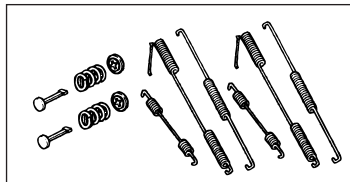
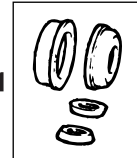
10

13

12

11

17



26 27 28

22

24 25

29

19

30

6

2

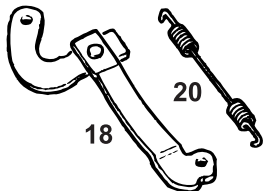
3

7

8



9



18

20



36



32



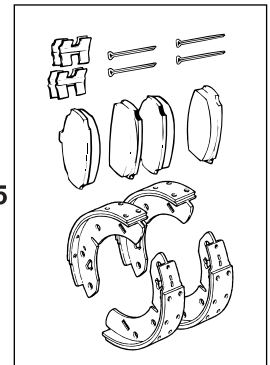
33



34



35



15



37

© 2008 MGOC Spares Ltd

Telephone: 01954 230928 Fax: 01954 231923, Email: sales@mgocspares.co.uk

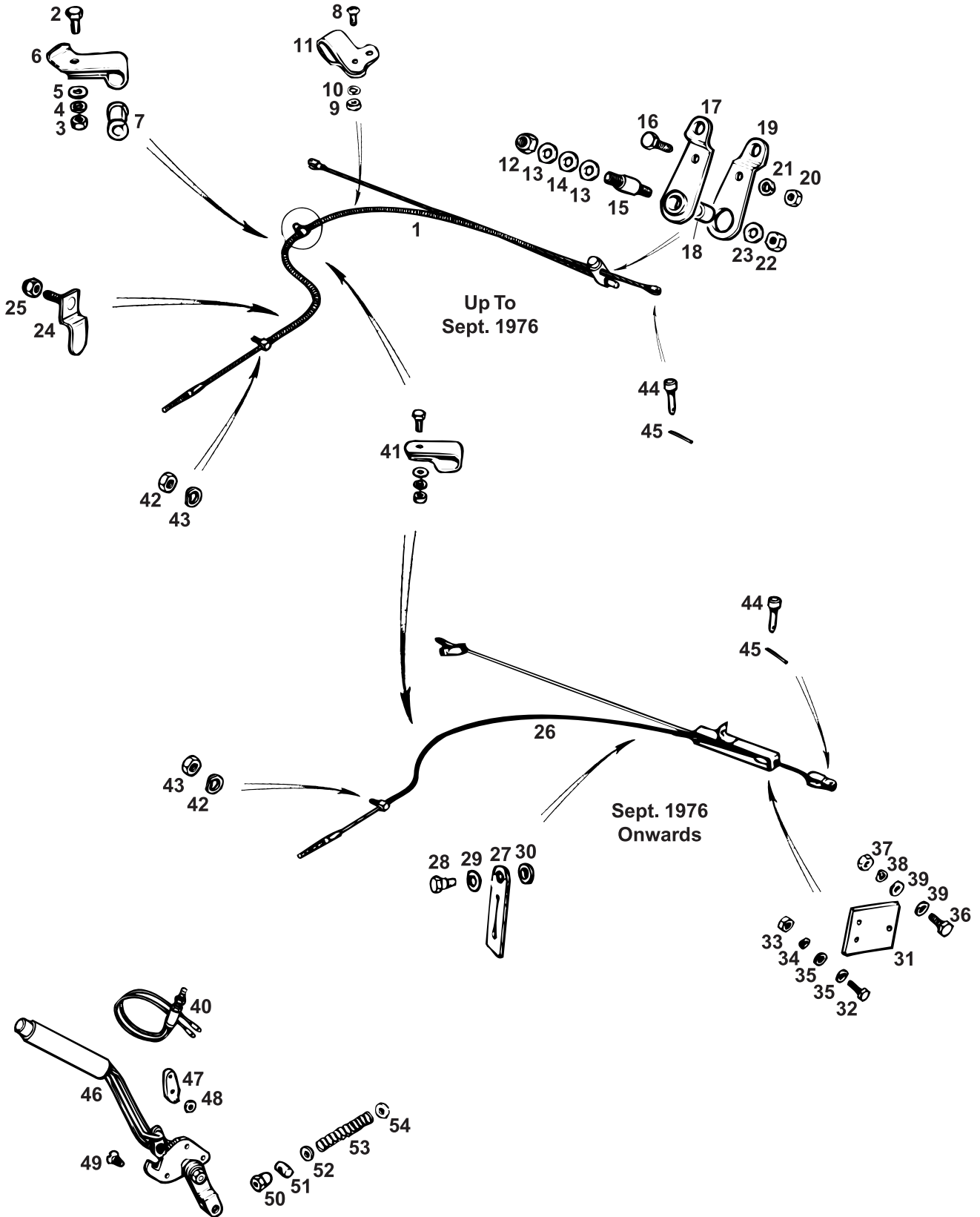


1	H342	Brake drums - Pair - Red Dot slotted	1	With internal grooves to reduce brake fade
2	BTB338	Brake drum - Standard	2	Banjo axle
3	BTB706	Brake drum - Standard	2	Tube axle
4	K185A	Brake drum cover - Aluminium - Silver	2	
5	K185X	Brake drum cover - Aluminium - Gold	2	
Cover those rusty brake drums with smart aluminium covers. Choose from silver or gold. Sold individually.				
6	ACH9373	Plug - 3/4" diameter	2] Banjo axle - check plug size as not all drums require both sizes
6	AHH5514	Plug - 1/2" diameter	2	
7	GHF225	Nut - Self locking - Drum securing	8	Wire wheels
8	SF604061	Screw - Countersunk - Drum securing	4	Steel wheels
9	H260	Wheel cylinder - Competition	2	Roadster only
10	GWC1103	Wheel cylinder - Genuine	2] Roadsters, plus GT to GHD4-148082 (steel wheels) and 142734 (wire wheels)
10	GWC1103Z	Wheel cylinder - Reproduction	2	
11	GRK2012	Seal kit - Wheel cylinder	2	
10	GWC1122Z	Wheel cylinder	2] GT from GHD4-148083 (steel wheels) and 142735 (wire wheels) on
11	GRK2011	Seal kit - Wheel cylinder	2	
12	513118	Bleed screw	2	
13	17H7949	Circlip - Cylinder retaining	2	
14	17H7949T	Tool - Circlip fitting	1	
15	BKB1	Brake pads and shoes kit	1	Includes a car set of original type brake pads and shoes
16	GBS740	Brake shoe set - Standard	1	Axle set
17	BKB1B	Brake shoe fitting kit	1	Banjo axle
17	BKB1T	Brake shoe fitting kit	1	Tube axle
18	37H2005	Handbrake lever - RH	1	
18	37H2006	Handbrake lever - LH	1	
19	17H8057	Lever boot	2	
20	513772	Pull off spring - Handbrake	2	Banjo axle
20	27H6479	Pull off spring - Handbrake	2	Tube axle
21	27H6478	Pull off spring - Adjuster end	2	
22	17H7994	Pull off spring - RH	1	
22	17H7995	Pull off spring - LH	1	
23	17H7993	Steady pin	4	
24	17H7969	Spring	4	
25	17H7971	Cup washer	4	
26	BAU2294	Brake adjuster	2	
27	GHF331	Washer - Spring	4	
28	GHF200	Nut	4	
29	BTB366	Backplate - RH	1] Roadster with banjo axle
29	BTB367	Backplate - LH	1	
29	27H6476	Backplate - RH	1] Roadster with tube axle; GT to GHD4-148082 (steel wheels), GHD4-142734 (wire wheels).
29	27H6477	Backplate - LH	1	
29	37H2309	Backplate - RH	1] GT from GHD4-148083 (steel wheels) and 142735 (wire wheels) on
29	37H2310	Backplate - LH	1	
30	BH606161	Bolt - Backplate to axle	8	
31	GHF243	Nut - Self locking	8	
32	F199	Brake hose clamp	1	
Allows safe clamping of flexible brake hoses for routine maintenance of brake components.				
33	T4	Girling shoe horn	1	
Brake shoe lever tool makes easy work of brake shoe replacement.				
34	F197	Pipe bending tool - Small	1	
34	F198	Pipe bending tool - Large	1	
Pipe bending tools make for perfect shaping of copper brake pipes.				
35	T2	Girling retraction tool	1	
Designed to replace brake pads without damaging calliper pistons.				
36	Z251	Brake adjusting spanner	1	
Turns 1/4" square and 5/16" square brake shoe adjusters				
37	G649	Castrol Brake Cleaner - 400ml Aerosol	1	

**Telephone: 01954 230928 Fax: 01954 231923, Email: sales@mgocspares.co.uk
Buy Online at www.mgocspares.co.uk**



MGB
& GT
1800



© 2008 MGOC Spares Ltd

Telephone: 01954 230928 Fax: 01954 231923, Email: sales@mgocspares.co.uk

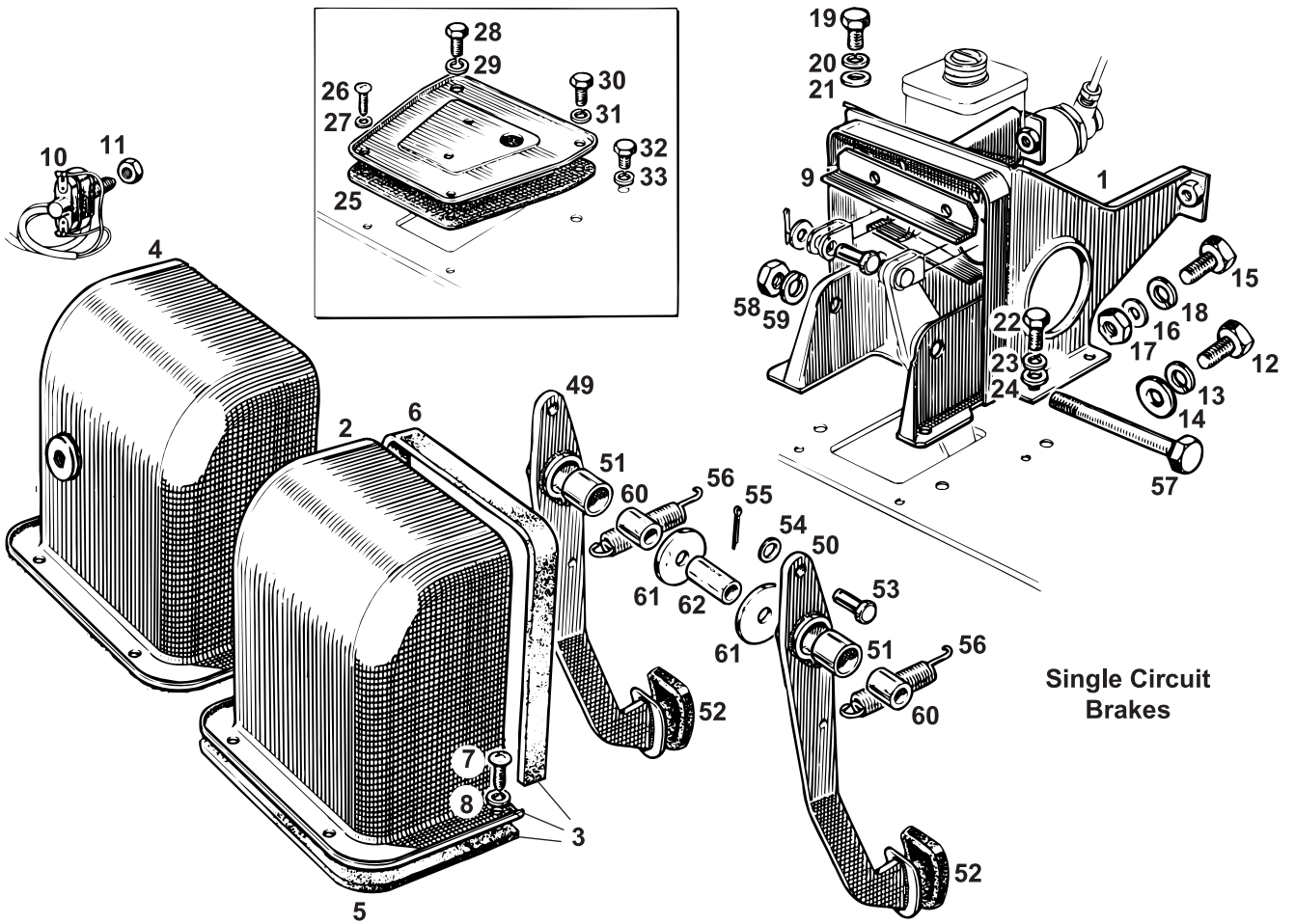


**MGB
& GT
1800**

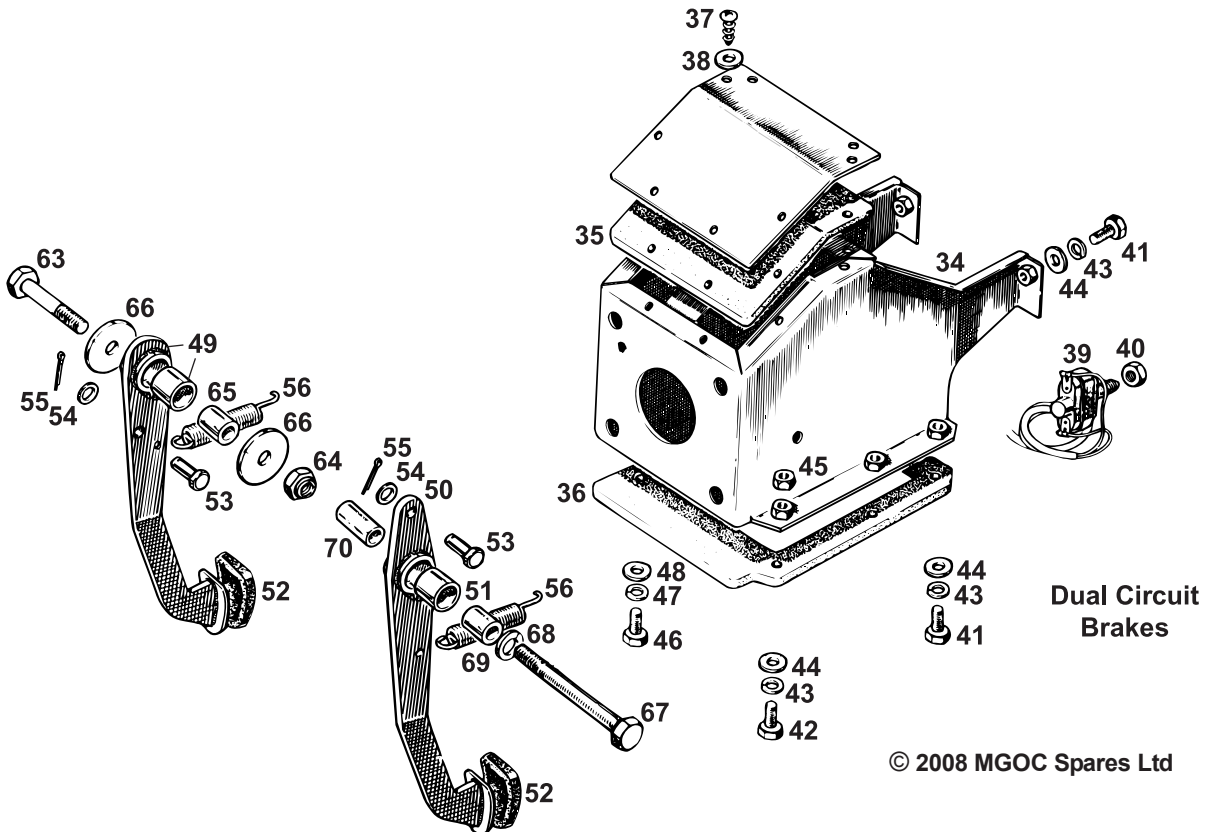


1	AHH5227	Handbrake cable	1	Banjo axle, 3 synchromesh, steel wheels
1	AHH5228	Handbrake cable	1	Banjo axle, 3 synchromesh, wire wheels
1	AHH7391	Handbrake cable	1	Tube axle, 3 synchromesh, steel wheels
1	AHH7392	Handbrake cable	1	Tube axle, 3 synchromesh, wire wheels
1	AHH8450	Handbrake cable	1	4 synchromesh, chrome bumper, steel wheels
1	AHH8451	Handbrake cable	1	4 synchromesh, chrome bumper, wire wheels
1	BHH1470	Handbrake cable	1	4 synchromesh, rubber bumper up to Sept. 1976, steel wheels
1	BHH1471	Handbrake cable	1	4 synchromesh, rubber bumper up to Sept. 1976, wire wheels
2	SH604051	Screw	1	
3	GHF200	Nut	1	
4	GHF331	Washer - Spring	1	
5	GHF300	Washer	1	
6	AHH6237	Clip - Cable	1	
7	ACH8529	Ferrule - Cable	1	
8	PMZ306	Screw	1	
9	GHF206	Nut	1	
10	WL700101	Washer - Spring	1	
11	AHH5295	Clip - Cable	1	
12	GHF223	Nut - Self locking	1	
13	GHF303	Washer	2	
14	AWZ107	Washer - Anti rattle	1	Up to Sept. 1976
15	AHH5025	Fulcrum	1	
16	SH604051	Screw	1	
17	AHH5203	Lever - Compensating - Inner	1	
18	AHH5225	Bush - Lever	1	
19	ACH5101	Lever - Compensating - Outer	1	
20	GHF200	Nut	1	
21	GHF331	Washer - Spring	1	
22	GHF222	Nut - Self locking	1	
23	PWZ205	Washer	1	
24	AHH6236	Clamp - Cable	1	
25	GHF220	Nut - Self locking	1	
26	BHH2074	Handbrake cable	1	4 synchromesh, rubber bumper Sept. 1976 on, steel wheels
26	BHH2075	Handbrake cable	1	4 synchromesh, rubber bumper Sept. 1976 on, wire wheels
27	BHH2136	Strap - Cable to axle backplate	1	
28	ASB101	Bolt - Special	1	
29	AWZ107	Washer - Anti rattle	1	
30	24A1356	Spacer	1	
31	HBS1001	Handbrake cable strap	1	
32	GHF117	Screw	2	
33	GHF200	Nut	2	
34	GHF331	Washer - Spring	2	Sept. 1976 on
35	GHF300	Washer	4	
36	GHF120	Screw	1	
37	GHF201	Nut	1	
38	GHF332	Washer - Spring	1	
39	GHF301	Washer	2	
40	AAU2492	Handbrake switch	1	
41	PCR809	Clip - Cable	1	
42	GHF332	Washer - Spring	1	
43	GHF201	Nut	1	
44	CLZ513	Clevis pin	2	
45	GHF502	Split pin	2	
46	BHH538	Handbrake assembly	1	Chrome bumper
46	BHH1923	Handbrake assembly	1	Rubber bumper
47	AHH6232	Pawl - Handbrake	1	
48	GHF300	Washer	1	
49	88G295	Screw - Handbrake mounting	3	
50	ACH5104	Nut - Adjuster	1	
51	AHH5322	Trunnion - Handbrake cable	1	
52	PWZ204	Washer	2	
53	ACH8508	Spring - Cable	1	
54	GHF300	Washer	1	

**Telephone: 01954 230928 Fax: 01954 231923, Email: sales@mgocspares.co.uk
Buy Online at www.mgocspares.co.uk**



Single Circuit Brakes



Dual Circuit Brakes



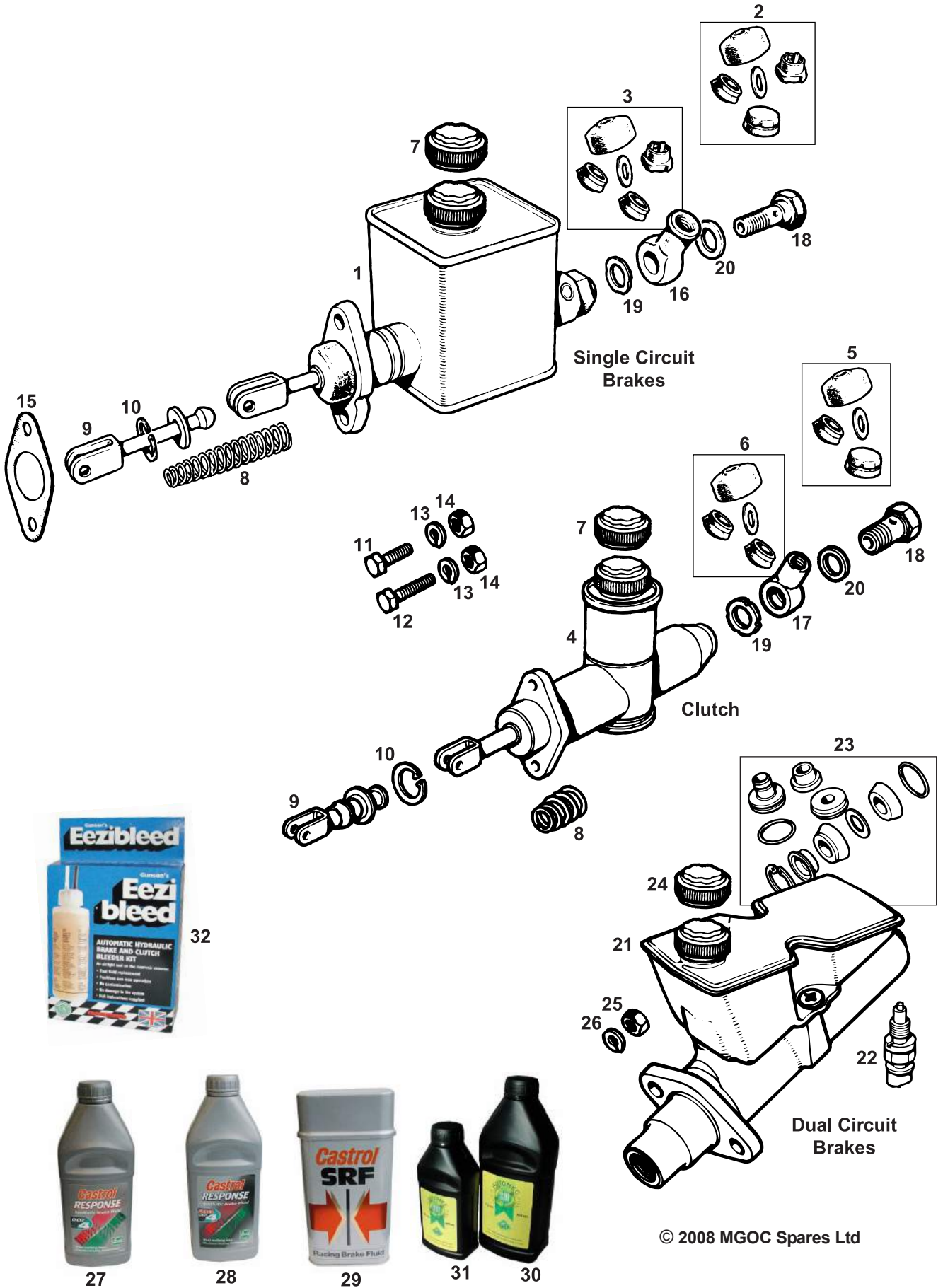
**MGB
& GT
1800**



1	AHH6065	Pedal box	1	Single circuit brakes, 3 synchromesh	
1	AHH8421	Pedal box	1	Single circuit brakes, 4 synchromesh	
2	MB105	Cover - Pedal box (without switch boss)	1	Single circuit brakes, chrome bumper	
3	MB105K	Cover kit - Pedal box (without switch boss)	1		
4	AHH8556	Cover - Pedal box (with switch boss)	1	Single circuit brakes, rubber bumper	
5	AHH7052	Seal - Cover - Base	1	Single circuit brakes, chrome bumper	
5	BHH1608	Seal - Cover - Base	1	Single circuit brakes, rubber bumper	
6	AHH6156	Seal - Cover - Surround	1	Single circuit brakes	
7	PMZ308	Screw	4		
8	WL700101	Washer - Spring	4		
9	AHH6163	Stiffener	1		
10	BHA4675	Switch - Brake lamp - Mechanical	1	Single circuit brakes, rubber bumper. Also fitted to dual circuit brakes	
11	NT606041	Nut	1	GHN3, GHD3 (3 synchromesh) cars GHN4/5, GHD4/5 (4 synchromesh) cars	
12	SH604051	Screw - Pedal box to bulkhead	1/2	Single circuit brakes, qty decreased for 3 synchromesh	
13	GHF331	Washer - Spring	1/2		
14	GHF300	Washer	1/2		
15	SH604071	Screw - Pedal box and wiring clip	1	Single circuit brakes, 3 synchromesh	
16	GHF300	Washer	1		
17	GHF200	Nut	1		
18	GHF331	Washer - Spring	1	Single circuit brakes	
19	SH605051	Screw - Pedal box to footwell top	1		
20	GHF332	Washer - Spring	1		
21	GHF301	Washer	1		
22	SH604051	Screw - Pedal box to footwell top	5/4	Single circuit brakes, qty decreased for rubber bumper	
22	SH604071	Screw - Pedal box/clutch pipe to footwell	1	Single circuit brakes, rubber bumper	
23	GHF331	Washer - Spring	5	Single circuit brakes	
24	GHF300	Washer	5		
25	AHH6511	Seal - Master cylinder blanking plate	1	Chrome bumper	
26	PMZ308	Screw - Blanking plate to footwell top	2		
27	WL700101	Washer - Spring	2		
28	SH605051	Screw - Blanking plate to footwell top	1		
29	GHF332	Washer - Spring	1		
30	SH604051	Screw - Blanking plate to footwell top	1		
31	GHF331	Washer - Spring	1		
32	SH604031	Screw - Blanking master cylinder hole	2		
33	GHF331	Washer - Spring	2		
34	BHH1859	Pedal box	1		Dual circuit brakes, 1977 on
35	BHH1108	Seal - Cover - Top	1		
36	BHH1096	Seal - Pedal box - Base	1		
37	GHF423	Screw - Cover	8		
38	GHF306	Washer	8		
39	BHA4675	Switch - Brake lamp - Mechanical	1		
40	NT606041	Nut	1		
41	SH604051	Screw - Pedal box to bulkhead - Short	6		
42	SH604071	Screw - Pedal box to bulkhead - Long	1		
43	GHF331	Washer - Spring	7		
44	GHF300	Washer	7		
45	GHF200	Nut	3		
46	SH605051	Screw - Pedal box to footwell top	1	Single circuit brakes, 3 synchromesh	
47	GHF332	Washer - Spring	1		
48	GHF301	Washer	1		
49	AHH6153	Pedal - Brake	1		Single circuit brakes, 4 synchromesh
49	AHH8522	Pedal - Brake	1		Dual circuit brakes, 1977 on
49	BHH1890	Pedal - Brake	1		Automatic gearbox
49	AHH8538	Pedal - Brake	1		Single circuit brakes
50	AHH6154	Pedal - Clutch	1		Dual circuit brakes, 1977 on
50	BHH1891	Pedal - Clutch	1		Qty decreased for automatic gearbox and dual circuit brakes, 1977 on
51	AAA4129	Bush - Brake and clutch pedal	2/1		Dual circuit brakes, 1977 on
51	BHH1101	Bush - Brake pedal	1	Manual gearbox	
52	AHH5100	Rubber pad - Pedal	2	Automatic gearbox	
52	ACC8592	Rubber pad - Pedal	1	Qty decreased for automatic gearbox	
53	CLZ514	Clevis pin	2/1		
54	GHF301	Washer	2/1		
55	GHF502	Split pin	2/1		
56	AAA1628	Return spring	2/1	Single circuit brakes	
57	BH606321	Bolt	1		
58	GHF202	Nut	1		
59	GHF333	Washer - Spring	1	Single circuit brakes, qty decreased for automatic gearbox	
60	AHH7201	Tube - Distance	2/1		
61	PWZ206	Washer	2/1	Single circuit brakes, manual gearbox	
62	AHH6063	Tube - Spacer	1	Single circuit brakes, automatic gearbox	
62	AHH8540	Tube - Spacer	1	Dual circuit brakes, 1977 on	
63	BH606141	Bolt - Brake pedal	1		
64	GHF223	Nut - Self locking	1		
65	BHH1097	Tube - Spacer - Brake pedal	1		
66	PWZ306	Washer	1		
67	BH606161	Bolt - Clutch pedal	1		
68	GHF333	Washer - Spring	1		
69	BHH1099	Tube - Distance - Clutch pedal	1		
70	BHH1098	Tube - Spacer - Clutch pedal	1		

Telephone: 01954 230928 Fax: 01954 231923, Email: sales@mgocspares.co.uk

Buy Online at www.mgocspares.co.uk



© 2008 MGOC Spares Ltd



**MGB
& GT
1800**



1	GMC122	Master cylinder - Brake - Single circuit 1	Early type - with no identification rings on cylinder body
1	GMC150	Master cylinder - Brake - Single circuit 1	Later type - with 2 identification rings on cylinder body
2	GRK1026	Repair kit - Brake master cylinder 1	For GMC122 master cylinder - with one cup seal and one ring seal
3	GRK1009	Repair kit - Brake master cylinder 1	For GMC150 master cylinder - with two ring seals
4	AHH6553	Master cylinder - Clutch 1	3 synchro. Later type - with 2 identification rings on cylinder body
4	GMC1011	Master cylinder - Clutch 1	4 synchro. Later type - with 2 identification rings on cylinder body
5	GRK3007	Repair kit - Clutch master cylinder 1	Early type - with one cup seal and one ring seal
6	GRK3004	Repair kit - Clutch master cylinder 1	Late type - with two ring seals
7	513123	Cap - Filler 2/1	Qty decreased for automatic gearbox
8	27H7751	Spring - Piston return 2/1	Qty decreased for automatic gearbox. Early type master cylinders
8	542483	Spring - Piston return 2/1	Qty decreased for automatic gearbox. Late type master cylinders
9	17H7985	Push rod 2/1	
10	17H7560	Circlip - Push rod retaining 2/1	
11	SH605071	Screw - Cylinder to pedal box - Short . . . 2/1	
12	GHF103	Screw - Cylinder to pedal box - Long . . . 2/1	
13	WL600051	Washer - Spring 4/2	
14	GHF201	Nut 4/2	
15	AHH8847	Shim - Brake master cylinder A/R	
16	7H7851	Connector - Banjo - Brake master cylinder . 1	
17	BHA4310	Connector - Banjo - Clutch master cylinder . 1	
18	11D5264K	Bolt - Banjo - With washers 2/1	
19	233220	Washer - Sealing - Banjo to cylinder . . . 2/1	Qty decreased for automatic gearbox
20	3H550	Washer - Sealing - Banjo to bolt 2/1	
21	GMC164	Master cylinder - Brake - Dual circuit 1	
22	AAU2454	Switch - Brake warning 1	
23	GRK1004	Repair kit - Master cylinder 1	Dual circuit brakes, 1977 on
24	513123	Cap - Filler 1	
25	GHF201	Nut - Cylinder to servo 2	
26	GHF332	Washer - Spring 2	
27	1774	Castrol - Response - Dot 4 - 1 Litre . . . A/R	
	1774/6610	Castrol - Response - Dot 4 - 500ml . . . A/R	
Synthetic brake and clutch fluid for use where DOT3 or DOT4 is specified. For all MG models in normal road use.			
28	1775	Castrol - Response - Super Dot 4 - 1 Litre A/R	
High boiling point synthetic fluid for competition use where DOT5 is required.			
29	1767	Castrol - SRF - 1 Litre A/R	
High performance motor sport application DOT4 synthetic brake fluid.			
30	F195	Silicone brake fluid - 1 Litre A/R	
31	F196	Silicone brake fluid - 500ml A/R	
DOT5 specification, non-corrosive and will not absorb water. Unlike glycol, does not require frequent changing.			
32	Z012	Eezibleed - Gunsons 1	Automatic hydraulic brake and clutch bleeding kit

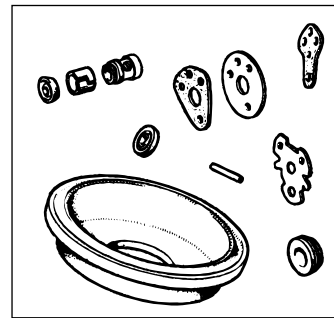
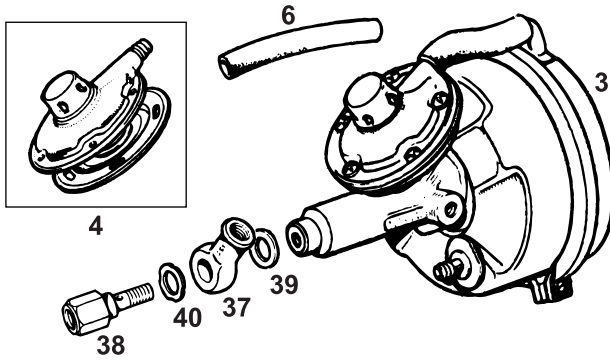
**Telephone: 01954 230928 Fax: 01954 231923, Email: sales@mgocspares.co.uk
Buy Online at www.mgocspares.co.uk**



1

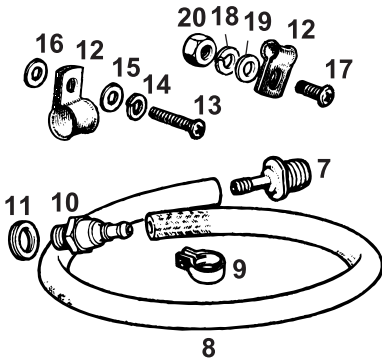


2

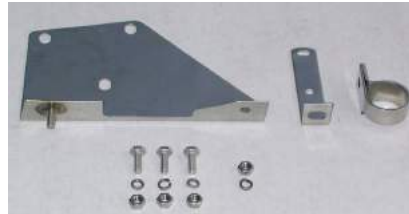


5

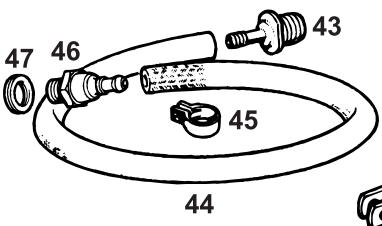
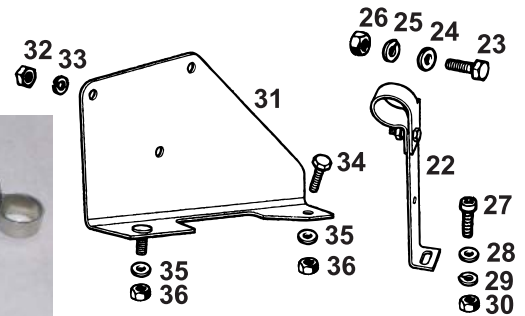
**Single Circuit
Brakes**



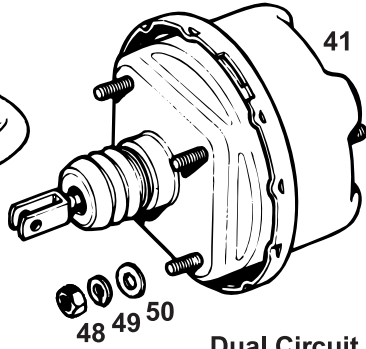
8



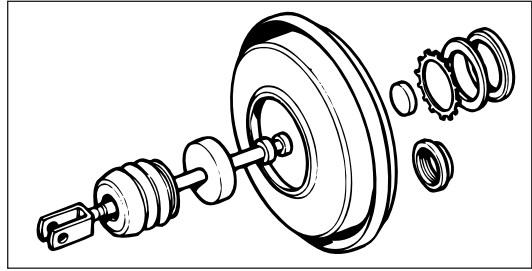
21



44



**Dual Circuit
Brakes**



42



**MGB
& GT
1800**



1	H275	Brake servo kit - Original equipment	1
2	H278	Brake servo kit - Universal fitment	1
3	GSM125	Servo assembly	1
4	10892	Air filter and cover kit	1
5	18G8579	Repair kit - Servo	1
6	27H9321	Hose - Main feed	1
7	606030	Valve - Non return - On servo	1
8	BAU5065M	Hose - Servo to manifold - Per metre	A/R
9	GHC507	Clip - Hose	2
10	ADU1402	Valve - Non return - On manifold	1
11	232043A	Washer - Sealing valve	1
12	PCR1007	Clip - Hose to bulkhead/servo bracket	2
13	PMZ316	Screw - Clip to bulkhead	1
14	WL700101	Washer - Spring	1
15	GHF306	Washer	1
16	AHC735	Spacer	1
17	PMZ308	Screw - Clip to servo bracket	1
18	WL700101	Washer - Spring	1
19	GHF306	Washer	1
20	GHF206	Nut	1
21	BHH1148/9S	Bracket kit - Servo mounting - Stainless	1
Complete bracket kit to support servo. Manufactured in corrosion resistant stainless steel, smartening up under-bonnet appearance.			
22	BHH1149	Bracket assembly - Black - Servo - Front	1
23	GHF117	Screw - Servo clamping	1
24	GHF300	Washer - Plain	1
25	GHF331	Washer - Spring	1
26	GHF200	Nut	1
27	PMZ310	Screw - Bracket to body	1
28	GHF306	Washer - Plain	1
29	WL700101	Washer - Spring	1
30	GHF206	Nut	1
31	BHH1148	Bracket assembly - Black - Servo - Rear	1
32	GHF201	Nut - Servo to rear bracket	3
33	WL600051	Washer - Spring	3
34	GHF117	Screw - Bracket to body	1
35	PWZ204	Washer - Plain	2
36	GHF221	Nut - Nyloc	2
37	BHA4310	Connector - Banjo	2
38	7H7995	Bolt - Banjo	2
39	233220	Washer - Sealing - Banjo to Cylinder	2
40	3H550	Washer - Sealing - Banjo to Bolt	2
41	BAU1016E	Servo - Customer's own unit reconditioned	1
42	18G9080	Repair kit - Servo	1
43	606030	Valve - Non return - On servo	1
44	BAU5065M	Hose - Servo to manifold - Per metre	A/R
45	GHC507	Clip - Hose	2
46	ADU1402	Valve - Non return - On manifold	1
47	232043A	Washer - Sealing valve	1
48	GHF201	Nut - Servo to pedal box	4
49	GHF332	Washer - Spring	4
50	GHF301	Washer	4

Complete conversion kits for easier braking with single circuit brakes
Optional fitment up to 1974; standard 1974-77. Single circuit brakes

Single circuit brakes servo

Dual circuit brakes servo

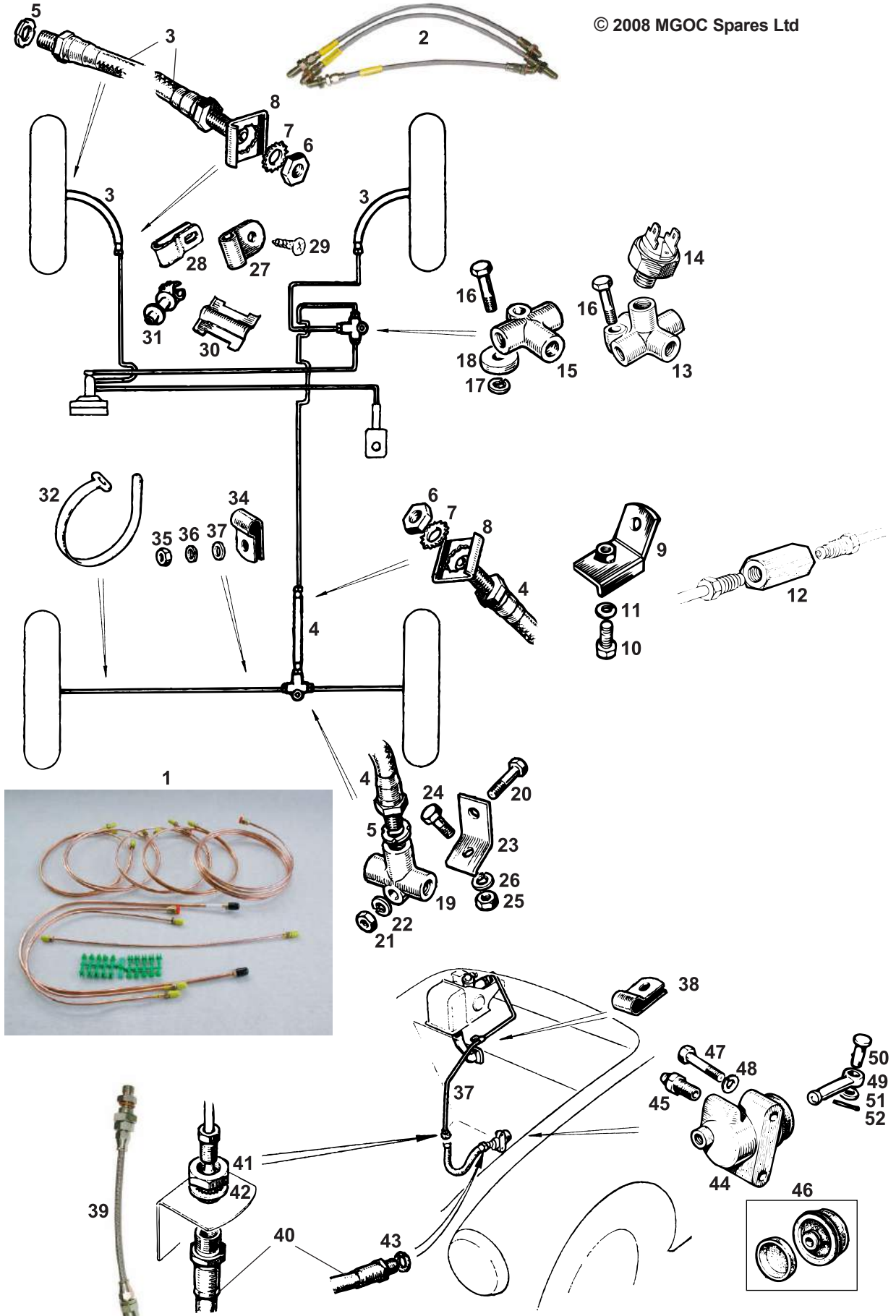
**Telephone: 01954 230928 Fax: 01954 231923, Email: sales@mgocspares.co.uk
Buy Online at www.mgocspares.co.uk**



MGB
& GT
1800



© 2008 MGOC Spares Ltd





**MGB
& GT
1800**



1	F151	Copper brake pipe set	1
1	F152	Copper brake pipe set	1
1	F153	Copper brake pipe set	1
1	F154	Copper brake pipe set	1
1	F151L	Copper brake pipe set	1
1	F152L	Copper brake pipe set	1
1	F153L	Copper brake pipe set	1
1	F151/2L	Copper brake pipe set	1
1	F152/3L	Copper brake pipe set	1
1	F154L	Copper brake pipe set	1

RHD, single circuit brakes, chrome bumper
 RHD, single circuit brakes, rubber bumper 1975 to Sept. 1976
 RHD, single circuit brakes, rubber bumper Sept. 1976 to July 1977
 RHD, dual circuit brakes, rubber bumper July 1977 on
 LHD, single circuit brakes, chrome bumper
 LHD, single circuit brakes, rubber bumper 1975 to Sept. 1976
 LHD, single circuit brakes, rubber bumper Sept. 1976 to July 1977
 LHD, dual circuit brakes, chrome bumper
 LHD, dual circuit brakes, rubber bumper 1975-76
 LHD, dual circuit brakes, rubber bumper 1976 on

Sets of malleable copper pipes, easy to shape (use F197 pipe bending tool) for professional appearance and non-corroding. Brass unions are ready fitted and each pipe is labelled for easy installation.

2	F110	Brake hose set - Stainless steel	1
---	------	----------------------------------	---

Car set of three stainless braided brake hoses with PTFE inner linings, for positive pedal and responsive braking.

	F119	Brake hoses - Pair - Front - Stainless steel	1
	F120	Brake hose - Rear - Stainless steel	1
3	GBH158	Brake hose - Front - Rubber	2
3	GBH158Z	Brake hose - Front - Rubber - Repro	2
3	GBH172	Brake hose - Front - Rubber	2
3	GBH172Z	Brake hose - Front - Rubber - Repro	2
4	GBH159	Brake hose - Rear - Rubber	1
4	GBH159Z	Brake hose - Rear - Rubber - Repro	1
5	233220	Copper washer - Brake hose	3
6	NT606041	Nut - Hose locking	3
7	GHF323	Washer - Spring	3
8	1G 9198	Plate - Locking	3
9	BHH1993	Bracket - Rear brake hose to body	1
10	SH604041	Screw	1
11	GHF331	Washer - Spring	1
12	BCA4002	Connector - Brake pipe	1
13	17H7108	Connector - 4 way - Engine bay	1
14	C16062	Switch - Brake light - Hydraulic	1
15	3H2424	Connector - 3 way - Engine bay	1
16	SH604101	Screw	1
17	GHF331	Washer - Spring	1
18	AHH6247	Spacer	1
19	3H2424	Connector - 3 way - Rear axle	1
20	GHF101	Bolt - Connector to axle bracket or axle	1
21	GHF200	Nut	1
22	GHF331	Washer - Spring	1
23	AHH6752	Bracket - Rear brake hose to axle	1
24	SH605051	Screw	1
25	GHF201	Nut	1
26	GHF332	Washer - Spring	1
27	PCR307	Clip - Brake pipe to front side member	A/R
27	PCR311	Clip - Brake pipe to bulkhead	A/R
28	AHA8683	Clip - Brake pipe to front side member	A/R
29	AB610031	Screw - Clip	A/R
30	AHC171	Clip - Brake pipe to front side member	A/R
31	GHF1192	Clip - Brake pipe to wheel arch	1
32	ACH8650	Clip - Brake pipe to rear axle	2
33	PCR311	Clip - Brake pipe to differential	2/3
34	GHF201	Nut	2
35	GHF332	Washer - Spring	2
36	GHF301	Washer	2
37	AHH6362	Clutch pipe - Copper	1
37	ACB8754	Clutch pipe - Copper	1
37	BHH1240	Clutch pipe - Copper	1
38	PCR411	Clip - Clutch pipe to bulkhead	1
39	F140	Clutch hose - Stainless steel	1
40	GVP1001	Clutch hose - Rubber	1
40	GVP1001Z	Clutch hose - Rubber - Repro	1
41	2K8686	Nut - Hose locking	1
42	WE600101	Washer - Shakeproof	1
43	3H550	Washer - sealing hose to slave cylinder	1
44	GSY106	Clutch slave cylinder	1
45	606733	Bleed screw	1
46	GRK4016	Seal kit - Slave cylinder	1
47	BH506161	Screw - Slave cylinder mounting	2
48	GHF333	Washer - Spring	2
49	13H21	Pushrod - Slave cylinder	1
50	2K5622	Clevis pin	1
51	GHF301	Washer	1
52	GHF502	Split pin	1

Must be used if fitting front telescopic shock absorber conversions

} Chrome bumper

} Rubber bumper

} Sept. 1976 on

} Rubber bumper

} Chrome bumper (single circuit brakes)

} Rubber bumper

} Up to Sept. 1976

} Also fitted to rear axle up to Sept. 1976

Secures two pipes

} Up to Sept. 1976

Dual circuit brakes

2 on banjo axle, 3 on tube axle

} Tube axle

RHD

LHD up to Sept. 1976

LHD Sept. 1976 on

Telephone: 01954 230928 Fax: 01954 231923, Email: sales@mgocspares.co.uk

Buy Online at www.mgocspares.co.uk

WHEELS:

WHEELS & TYRES

WHEEL NUTS

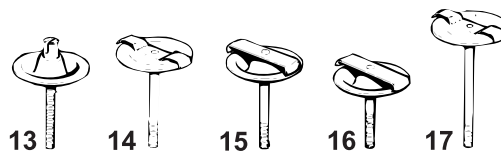
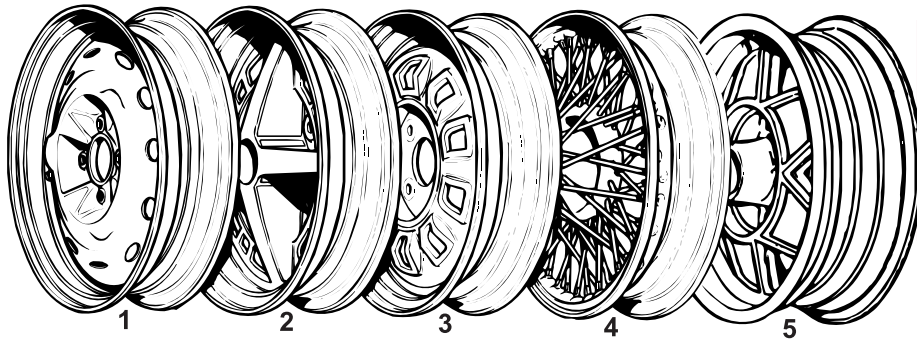
SPINNERS

JACK & TOOL KIT





MGB
& GT
1800



© 2008 MGOC Spares Ltd

Telephone: 01954 230928 Fax: 01954 231923, Email: sales@mgocspares.co.uk



**MGB
& GT
1800**



1	AHH6132E	Steel wheel - 4" - Recon exchange . . .	A/R	GHN3/4 cars (roadster). Customer's own unit reconditioned
1	AHH8112E	Steel wheel - 5" - Recon exchange . . .	A/R	GHD3/4 cars (GT). One for one exchange
2	BHH2090	Rostyle wheel - 5" - New	A/R] GHN5, GHD5 cars
2	BHH2090WE	Rostyle wheel - 5" - Recon exchange . .	A/R	
3	BHH1816E	Steel/alloy wheel - 5" - Recon exchange	A/R	1975 Jubilee edition; black and gold
4	W080	Wire wheel - 4 1/2 x 14" - Painted . . .	A/R] Centre lock. Standard MGB wire wheel size
4	W085	Wire wheel - 4 1/2 x 14" - Chrome . . .	A/R	
4	W090	Wire wheel - 5 1/2 x 14" - Painted . . .	A/R] Centre lock. Uprated 72 spoke design
4	W095	Wire wheel - 5 1/2 x 14" - Chrome . . .	A/R	
4	W100	Wire wheel - 5 1/2 x 15" - Painted . . .	A/R	
4	W105	Wire wheel - 5 1/2 x 15" - Chrome . . .	A/R	
4	W050	Wire wheel - 5 1/2 x 14" - Chrome . . .	A/R] Bolt on
5	W040	Alloy wheel - 5" - New	A/R	
5	BHH2258E	Alloy wheel - 5" - Recon exchange . . .	A/R	UK 1980 LE model (mid grey and bright machined finish)
6	W001	Alloy wheel - Club Sport - 5 1/2 x 14" . .	A/R] Silver
6	W002	Alloy wheel - Club Sport - 5 1/2 x 15" . .	A/R	
6	W010	Alloy wheel - Club Sixjay - 6 x 14" . . .	A/R	
6	W009	Alloy wheel - Club Sixjay - 6 x 15" . . .	A/R	
7	W014	Alloy wheel - Club Sport - 5 1/2 x 14" . .	A/R] Anthracite with machined rim
7	W015	Alloy wheel - Club Sport - 5 1/2 x 15" . .	A/R	

Club Sport and Sixjay alloy wheels simply bolt on to MGB steel wheel type hubs and have great nostalgic style. Please see the next section on Wheel Nuts/Spinners for details of the wheel nuts required.

8	W006	Alloy wheel - Classic - Road - 6 x 15" . .	A/R	Black with machined rim. Requires W006N wheel nuts
8	W016	Alloy wheel - Classic - Road - 6 x 15" . .	A/R	Anthracite with machined rim. Requires W006N wheel nuts
8	W007	Alloy wheel - Classic - Wide - 7 x 15" . .	A/R	Black with machined rim. Requires W006N wheel nuts
8	W017	Alloy wheel - Classic - Wide - 7 x 15" . .	A/R	Anthracite with machined rim. Requires W006N wheel nuts

The classic 5 spoke alloy wheel design. The 7" wide W007 and W017 wheels are recommended for cars fitted with Sebring kits.

9 W020 Alloy wheel - Club Aero - 6 x 14" A/R Silver
The most popular style for the modern classic MGB, this 6 x 14" alloy allows either a 175/70 or 185/70 tyre fitment for improved handling, roadholding and comfort. Looks equally good on chrome or rubber bumper MGBs.

10 W022 Alloy wheel - Club Tourer - 6 x 14" A/R Silver
Stylish alloy wheel in 6 x 14" size to enable 175/70 or 185/70 tyre fitment.

11	W060	Alloy wheel - Centre lock - 5 1/2 x 14" . .	A/R] Silver
11	W065	Alloy wheel - Centre lock - 5 1/2 x 15" . .	A/R	
12	W061	Alloy wheel - Centre lock - 5 1/2 x 14" . .	A/R] Anthracite with machined rim
12	W066	Alloy wheel - Centre lock - 5 1/2 x 15" . .	A/R	

A true centre locking alloy wheel design, available in a choice of silver or anthracite with machined rim and 14" or 15" sizes. Makes a great 'winter wheel', saving your wire wheels for less wet and dirty road conditions in summer months (easier to clean than wires, too).

13	AHH6485	Spare wheel clamp	1	4" steel wheel
13	AHH8113	Spare wheel clamp	1	5" steel wheel
14	AHC866	Spare wheel clamp	1	Rostyle wheel
15	BHH1111	Spare wheel clamp	1	1975 Jubilee edition wheel
16	AHH7043	Spare wheel clamp	1	4 1/2" wire wheel
17	BHH2339	Spare wheel clamp	1	1980 LE model wheel

18 W700 on Tyre - Yokohama A/R
The exciting range of world famous Yokohama tyres at excellent discounted prices, in sizes and speed ratings for all applications. Tyres may be supplied individually or ready fitted to wheel rims of your choice; in the latter instance they will be delivered to your home, balanced and ready to fit to your MG. Please contact our tyre department for sales and expert advice on correct sizing, compounds, speed ratings and suitability.

19	W505	Chrome wheel trim - Rostyle - 14"	4	
19	W505SS	Stainless wheel trim - Rostyle - 14"	4	
20	W545	Rostyle wheel renovation kit	1	

Twenty five accurately die-cut adhesive masks, two aerosols of silver wheel paint, one aerosol of satin black paint, three sheets of wet and dry paper - perfect results.

21	W525	Tyre Trim Set - Whitewall	1	
21	W512	Tyre Trim Set - 0.5" Wide Whiteband	1	
22	W532	Tyre Lettering Pen	1	For tyre customising
23	A092	Tyre Inflator - 567g Aerosol	1	Inflator and Puncture Repair
24	A445	Wheel Cleaner	A/R	

Effectively cleans alloy, laquered and steel wheels - safe for chrome wheels.

25	A430	Tyre Dressing	A/R	Cleans and restores tyre walls to satin shine
----	------	-------------------------	-----	---

Maintaining chromework:
The Chromium Plating on all Club products is top quality and complies with BS1224 the industry standard for automotive products. To protect and preserve the chromium finish it is important that you apply Solvol Autochrome (A090) - BEFORE FITTING and re-apply at regular intervals. Wiping surfaces with a soft cloth soaked in Castrol DWF will also give excellent protection against corrosion in winter.



**MGB
& GT
1800**



13

14



15



16

18

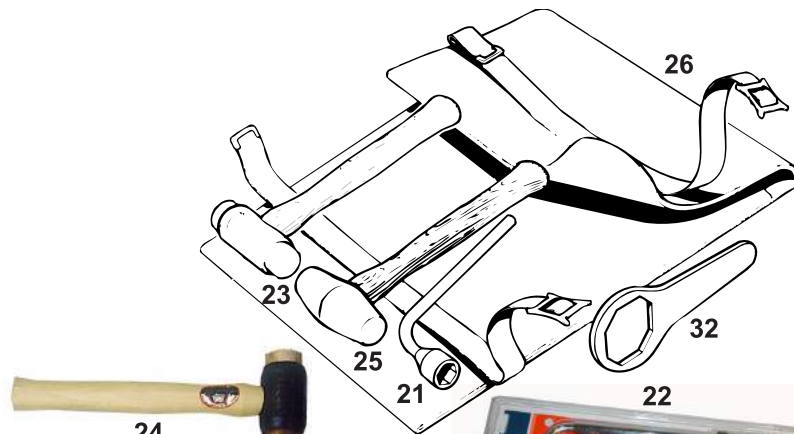
17



19



20



26

23

25

21

22

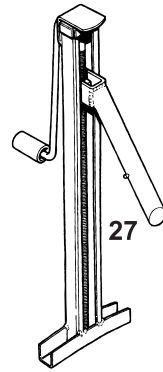
32



24



25



27



28



29



22



30



31



32



36



37



33

34



33



35

© 2008 MGOC Spares Ltd

Telephone: 01954 230928 Fax: 01954 231923, Email: sales@mgocspares.co.uk



1	AHH6297	Hub cap - Chrome	4	}	GHN3/4 and GHD3/4 cars with steel wheels
2	BTB354	Wheel nut	16		
3	AHH9152	Wheel nut - Chrome - Without logo	16	}	GHN5 and GHD5 cars with Rostyle wheels
3	W660A	Wheel nut - Stainless - Without logo	16		
4	W605A	Wheel nut - Chrome - MG logo	16		
4	W665A	Wheel nut - Stainless - MG logo	16		

AHH9152, W660A, W605A and W665A are also the ideal wheel nuts for Club Sport, Sixjay, Aero and Tourer alloy wheels.

5	AHH9268	Centre cap - With badge	4	}	GHN5 and GHD5 cars with Rostyle wheels
6	AHH9268B	Badge - Centre cap - 'MG' - Black/silver	4		
7	BHH1087	Wheel nut - Chrome	16	}	1975 Jubilee edition wheels
8	BHH1810	Centre cap - With badge	4		
9	BHH1810B	Badge - Centre cap - 'MG' - Black/gold	4		
10	BHH2269	Wheel nut - Black	16		
11	BHH2687	Badge - Wheel centre - 'MG' - Red/silver	4		
11	CHA747	Badge - Wheel centre - 'MG' - Black/silver	4		
11	BHH1994	Badge - Wheel centre - 'MG' - Black	4		
12	160053	Clip - Badge retaining	4		
13	W006N	Wheel nut - Chrome	16		
14	E060	Locking wheel nut adaptor set	1		
15	W152	Wire wheel conversion kit	1	}	1980 LE wheels 1980 LE wheels (UK edition) 1980 LE wheels (North America edition) 1980 LE wheels (alternative) 1980 LE wheels Classic 5 Spoke alloy wheels W006, W007, W016, W017 Alloy wheels Banjo axle type Tube axle type
15	W150	Wire wheel conversion kit	1		

Owners of banjo or tube axle cars fitted with steel wheels and who wish to fit wire wheels can now do so without having to either change the complete rear axle or use non standard bolt-on wire wheels. This MGB tube axle kit uses specially adapted rear splined hubs to compensate for the greater width of the steel wheel type axle, creating the correct rear wheel arch clearance necessary for wire wheel fitment.

16	W182R	Spinner - 2 Ear - Plain - RH	A/R	}	12 TPI (see note below). Wire and centre lock alloy wheels
16	W182L	Spinner - 2 Ear - Plain - LH	A/R		
16	W180R	Spinner - 2 Ear - Plain - RH	A/R	}	8 TPI (see note below). Wire and centre lock alloy wheels
16	W180L	Spinner - 2 Ear - Plain - LH	A/R		
16	W183R	Spinner - 2 Ear - MG Logo - RH	A/R	}	12 TPI (see note below). Wire and centre lock alloy wheels
16	W183L	Spinner - 2 Ear - MG Logo - LH	A/R		
16	W181R	Spinner - 2 Ear - MG Logo - RH	A/R	}	8 TPI (see note below). Wire and centre lock alloy wheels
16	W181L	Spinner - 2 Ear - MG Logo - LH	A/R		
17	W172R	Spinner - Octagonal - Plain - RH	A/R	}	12 TPI (see note below). Wire and centre lock alloy wheels
17	W172L	Spinner - Octagonal - Plain - LH	A/R		
17	W170R	Spinner - Octagonal - Plain - RH	A/R	}	8 TPI (see note below). Wire and centre lock alloy wheels
17	W170L	Spinner - Octagonal - Plain - LH	A/R		
17	W173R	Spinner - Octagonal - MG Logo - RH	A/R	}	12 TPI (see note below). Wire and centre lock alloy wheels
17	W173L	Spinner - Octagonal - MG Logo - LH	A/R		
17	W171R	Spinner - Octagonal - MG Logo - RH	A/R	}	8 TPI (see note below). Wire and centre lock alloy wheels
17	W171L	Spinner - Octagonal - MG Logo - LH	A/R		
18	W186R	Spinner - 3 Ear - Plain - RH	A/R	}	12 TPI (see note below). Wire and centre lock alloy wheels
18	W186L	Spinner - 3 Ear - Plain - LH	A/R		
18	W184R	Spinner - 3 Ear - Plain - RH	A/R	}	8 TPI (see note below). Wire and centre lock alloy wheels
18	W184L	Spinner - 3 Ear - Plain - LH	A/R		
18	W187R	Spinner - 3 Ear - MG Logo - RH	A/R	}	12 TPI (see note below). Wire and centre lock alloy wheels
18	W187L	Spinner - 3 Ear - MG Logo - LH	A/R		
18	W185R	Spinner - 3 Ear - MG Logo - RH	A/R	}	8 TPI (see note below). Wire and centre lock alloy wheels
18	W185L	Spinner - 3 Ear - MG Logo - LH	A/R		

Note: Early cars up to GHN3-30850 (1963-64 approx) used 12 threads per inch on the hubs and spinners; later cars used 8 threads per inch. Ensure you order the correct type.

19	W533	Valve cap set - Chrome	1	}	Stylish caps fitted with anti-theft securing screws. GHN3/4 and GHD3/4 cars with steel wheels
20	W534	Valve cap set - Anti-theft - MG Logo	1		
21	AHH6539	Wrench - Wheel nut	1	}	GHN5 and GHD5 cars with Rostyle wheels; alloy wheels except Jubilee 1975 Jubilee edition wheels
21	AHH9153	Wrench - Wheel nut	1		
21	BHH1086	Wrench - Wheel nut	1	}	Extends to 530mm for more torque and ease of operation Original equipment, wire wheel fitted cars
22	Z093	Extending wheel nut wrench	1		
23	11B5166	Hammer - Copper	1	}	Alternatives
24	W190	Hammer - Copper/Hide	1		
25	W175	Hammer - Lead	1	}	Original equipment early type (with round top) Original equipment later type (with flat top) Lift height from 180mm to 350mm Lift height from 181mm to 346mm For increased safety when jack is used
26	AHH6540	Tool bag	1		
27	AHH6538	Jack - Side lift	1	}	Original equipment, octagonal spinner fitted cars
27	BHA5329	Jack - Side lift	1		
28	Z096	Scissor jack - 1000Kg capacity	1	}	Wire or centre lock alloy wheel
29	Z091	Bottle jack - Hydraulic - 2000Kg capacity	1		
30	Z097	Wheel chocks - Pair	1	}	
31	W195	Wire wheel cleaning brush	1		
32	W174	Spanner	1		
33	W176	2 Ear spinner remover - Steel	1		
34	W177	Octagonal spinner remover - Steel	1		
35	W178	Spinner saver - Plywood - 2 Ear spinners	1		
35	W178	Spinner saver - Plywood - 2 Ear spinners	1		

The steel spinner removers feature long handles, enabling easier spinner removal and fitment. The plywood spinner saver allows the spinner to be hammered - as intended - but without incurring the usual damage to the chromework or the shape of the spinner.

36	Z195	Tyre gauge - Angled fitment	1	}	Accurate tyre pressure measurement up to 60 p.s.i.
37	Z095	Foot pump	1		

LAMPS & LENSES:

HEADLAMPS

FOG & DRIVING LAMPS

FRONT INDICATORS

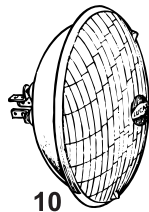
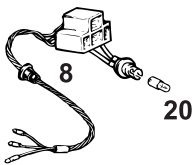
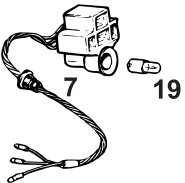
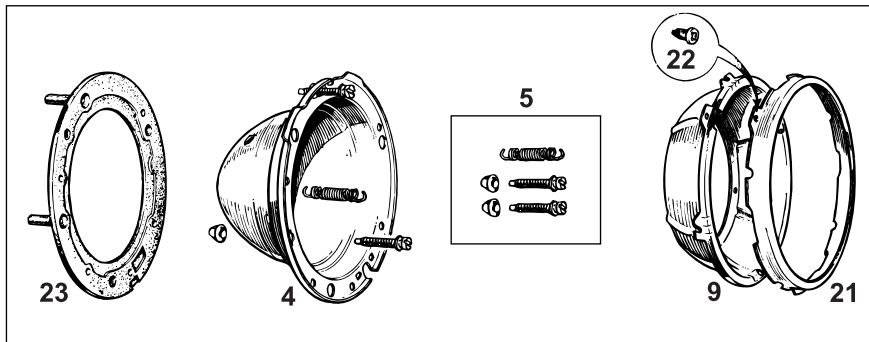
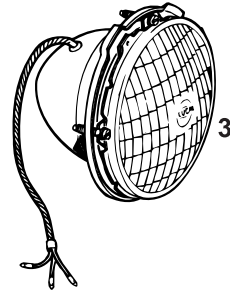
REAR LAMPS

NUMBER PLATE LAMPS

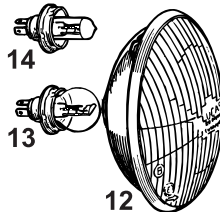
INTERIOR LAMPS



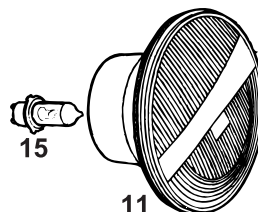
© 2008 MGOC Spares Ltd



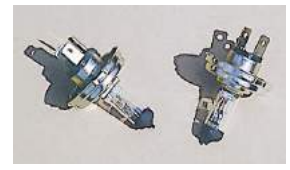
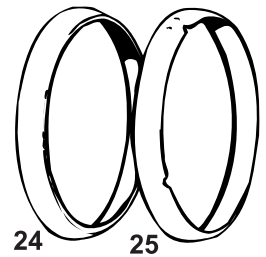
Sealed Beam



P45T
(European)



H4 Halogen
(Original
Flat Lens)



17



34



35



33



18



1	M100	Halogen conversion kit - RHD 1	} Chrome bumper
1	M101	Halogen conversion kit - LHD 1	
1	M105	Halogen conversion kit - RHD 1	} Rubber bumper
1	M106	Halogen conversion kit - LHD 1	

Kit containing two light units and all bulbs necessary to convert to the advantages of Halogen headlamps.

2	M100LF	Halogen conversion kit - RHD - Lucas 1	} Chrome bumper
2	LUB803	Halogen conversion kit - LHD - Lucas 1	
2	M105L	Halogen conversion kit - RHD - Lucas 1	} Rubber bumper
2	LUB802	Halogen conversion kit - LHD - Lucas 1	

These superior quality Lucas lamp units are exceptional value and are supplied complete with halogen H4 60/55 watt bulbs.

3	27H8263	Headlamp assembly - Sealed beam - RHD	2	} Chrome bumper GHN3/4, GHD3/4 cars (60/45 watt)
3	559254	Headlamp assembly - Sealed beam - RHD	2	
3	BHA5378	Headlamp assembly - Sealed beam - RHD	2	} Rubber bumper to Sept. 1976 (75/50 watt)
3	AEU1899	Headlamp assembly - Halogen H4 - RHD	2	
3	514579	Headlamp assembly - Sealed beam - LHD	2	} Chrome bumper
3	512224X	Headlamp assembly - P45T - LHD	2	
3	BAU1177	Headlamp assembly - Sealed beam - LHD	2	} Sept. 1976 on
3	37H4989	Headlamp assembly - P45T - LHD	2	
3	27H8266	Headlamp assembly - Sealed beam - LHD	2	} Rubber bumper
4	HB1	Headlamp bowl - Metal	2	
4	HB2	Headlamp bowl - Plastic	2	} Rubber bumper to Sept. 1976; not part of headlamp bowl HB1
5	BHM7058	Adjuster kit	2	
6	BAU2110	Headlamp loom	2	} Chrome bumper
7	BAU2111	Headlamp loom	2	
8	ML143	Headlamp loom	2	} 60/45 watt
9	27H6481	Inner bowl - Headlamp	2	
10	13H3471	Headlamp unit - Sealed beam - RHD	2	} Chrome bumper
10	XBC103360	Headlamp unit - Sealed beam - RHD	2	
11	XAP109	Headlamp unit - H4 - Flat - RHD	2	} Chrome bumper
10	BMK2508	Headlamp unit - Sealed beam - LHD	2	
12	27H4146	Headlamp unit - P45T - LHD	2	} Chrome bumper
12	GLU515	Headlamp unit - P45T - LHD	2	
13	GLB410	Bulb - Headlamp - P45T - Clear	2	} 60/55 watt
13	GLB411	Bulb - Headlamp - P45T - Yellow	2	
14	GLB2983	Bulb - Headlamp - P45T - Halogen	2	} Chrome bumper
15	GLB472	Bulb - Headlamp - Halogen H4	2	
16	M109	Bulb - Headlamp - Halogen H4	2	} Chrome bumper

Check local regulations before fitting high power 100/80 W bulbs. Also note that it is strongly advised to fit relays to operate high power bulbs to guard against burned light switch contacts.

17	GLB472X	Bulb - Headlamp - Halogen H4 Xenon	2	60/55 watt, extra bright Xenon H4 type bulbs
----	---------	------------------------------------	---	--

18 GLB472SS Bulbs - Headlamp - Pair - Silverstar H4 . . . 1
60/55 watt halogen H4 bulbs giving up to 50% more light on the road and a beam extension of up to 20 metres. Osram Silverstar allows you to see better and feel safer.

19	GLB501	Bulb - Pilot	2	} Rubber bumper to Sept. 1976. Also for Wipac Halogen lamps
20	GLB233	Bulb - Pilot	2	
21	515218	Retaining rim - Light unit	2	} Not part of headlamp assemblies
22	AB606021	Screw - Retaining rim	6	
23	13H565	Gasket - Headlamp assembly	2	} Use with HB1 metal bowl
24	57H5296	Headlamp rim	2	
24	57H5296Z	Headlamp rim - Reproduction	2	} Later models with spire nut welded to headlamp aperture. See note below
25	ALU1020	Headlamp rim - With adjuster cut-outs	2	
26	BAU1460	Clip - Rim retaining	2	} Later models with spire nut welded to headlamp aperture. See note below
27	PMZ310	Screw	8	
28	GHF206	Nut	8	} Later models with spire nut welded to headlamp aperture. See note below
29	WL700101	Washer - Spring	8	
30	GHF306	Washer	8	} Later models with spire nut welded to headlamp aperture. See note below
31	AB610051	Screw	8	
32	WE702101	Washer - Shakeproof	8	} Later models with spire nut welded to headlamp aperture. See note below

Note: Some early models had the nut, GHF206, welded on. Take care not to confuse this with a spire nut that takes self tapping screws. Replacement wings have welded spire nuts.

33	M112	Headlamp beam deflector kit	1	} For continental touring with RHD car
34	M110	Spare bulb kit - Halogen	1	
	M111	Spare bulb kit - Standard	1	} For continental touring with RHD car
35	K017	Chrome stoneguards - Pair	1	

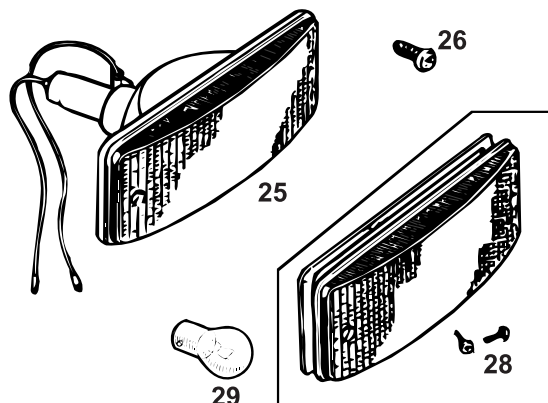
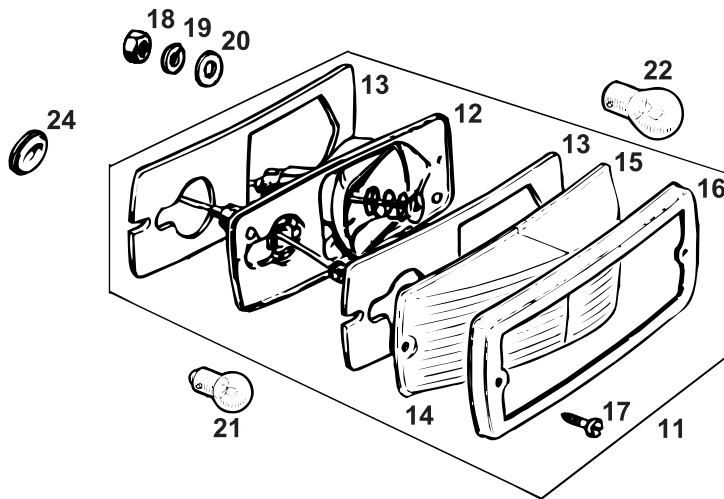
Chromium wire stoneguards to protect your 7" MG headlamps.

Maintaining chromework:

The Chromium Plating on all Club products is top quality and complies with BS1224 the industry standard for automotive products. To protect and preserve the chromium finish it is important that you apply Solvol Autochrome (A090) - BEFORE FITTING and re-apply at regular intervals. Wiping surfaces with a soft cloth soaked in Castrol DWF will also give excellent protection against corrosion in winter.



MGB
& GT
1800



© 2008 MGOC Spares Ltd

1	K050	Lucas classic driving lamp2
1	K055	Replica driving lamp2
2	K051	Lucas classic fog lamp2
2	K056	Replica fog lamp2

The K050 driving lamp is the authentic style classic Lucas SLR576 lamp, while K051 is the equivalent SFT576 fog lamp. Both were beloved by 1950s and 1960s sports car owners. K055 and K056 are replicas of the SLR576 and SFT576 respectively.

3	F035	Lamp cover - Lucas - 'Q' A/R
4	F036	Lamp cover - Lucas - Lion A/R

Complete the picture by furnishing your classic Lucas lamps with these faithful Lucas style covers.

5	K057	Chrome driving lamps - Wipac - Pair 1
---	------	-------------------------------------	---------

Wipac classic chrome driving lamps with halogen H3 55 watt bulbs, providing powerful bright beams combined with authentic period appearance. Complete with plastic lamp covers.

6	K031	Chrome auxilliary lamp bracket A/R
7	K032	Lamp stabilizer bars - Pair 1
8	M102	Chrome driving lamp - Cibie 2
8	M103	Chrome fog lamp - Cibie 2
	M104/A	Cibie auxilliary lamp brackets - Pair 1
8	M107	Black driving lamp - Cibie 2
8	M108	Black fog lamp - Cibie 2
	M104	Cibie auxilliary lamp brackets - Pair 1
9	M104F	Gardlite lamp protector 2
10	M104E	Auxilliary lamp wiring kit 1
11	BHA4966	Sidelamp assembly (white/amber lenses) 2
11	BHA4966Z	Sidelamp assembly - Reproduction 2
12	BHA4966A	Sidelamp backplate - Wired 2
13	57H5572	Gasket - Sidelamp 4
14	516308	Lens - White - Sidelamp 2
15	516306	Lens - Amber - Indicator 2
15	516307	Lens - White - Indicator (export) 2
16	516304	Rim - Sidelamp 2
17	57H5569	Screw - Rim 4
18	GHF206	Nut 4
19	WL700101	Washer - Spring 4
20	GHF306	Washer 4
21	GLB233	Bulb - Sidelamp 4
22	GLB382	Bulb - Indicator 4

Chrome bumper

Rubber bumper

Includes wiring, switch and relay

Chrome bumper cars - see note below

Note: On early cars (originally GHN3/4, GHD3/4) the sidelamp mounting holes are different and it will be necessary to redrill the wing. Replacement wings HZA409/410 & 2124/2125 are to the early pattern.

23	K210	Clear indicator lens kit 1
----	------	--------------------------	---------

Up to the minute styling modification in the form of clear indicator lenses through which amber bulbs flash. Kit contains two pairs of clear lenses and amber bulbs.

24	5L62	Grommet - Headlamp and sidelamp loom 2
25	BHA5322	Indicator assembly 2
26	GHF426	Screw 4
27	37H8759	Lens and gasket - Indicator 2
28	PMP208	Screw - Lens 4
29	GLB382	Bulb - Indicator 2

Rubber bumper cars

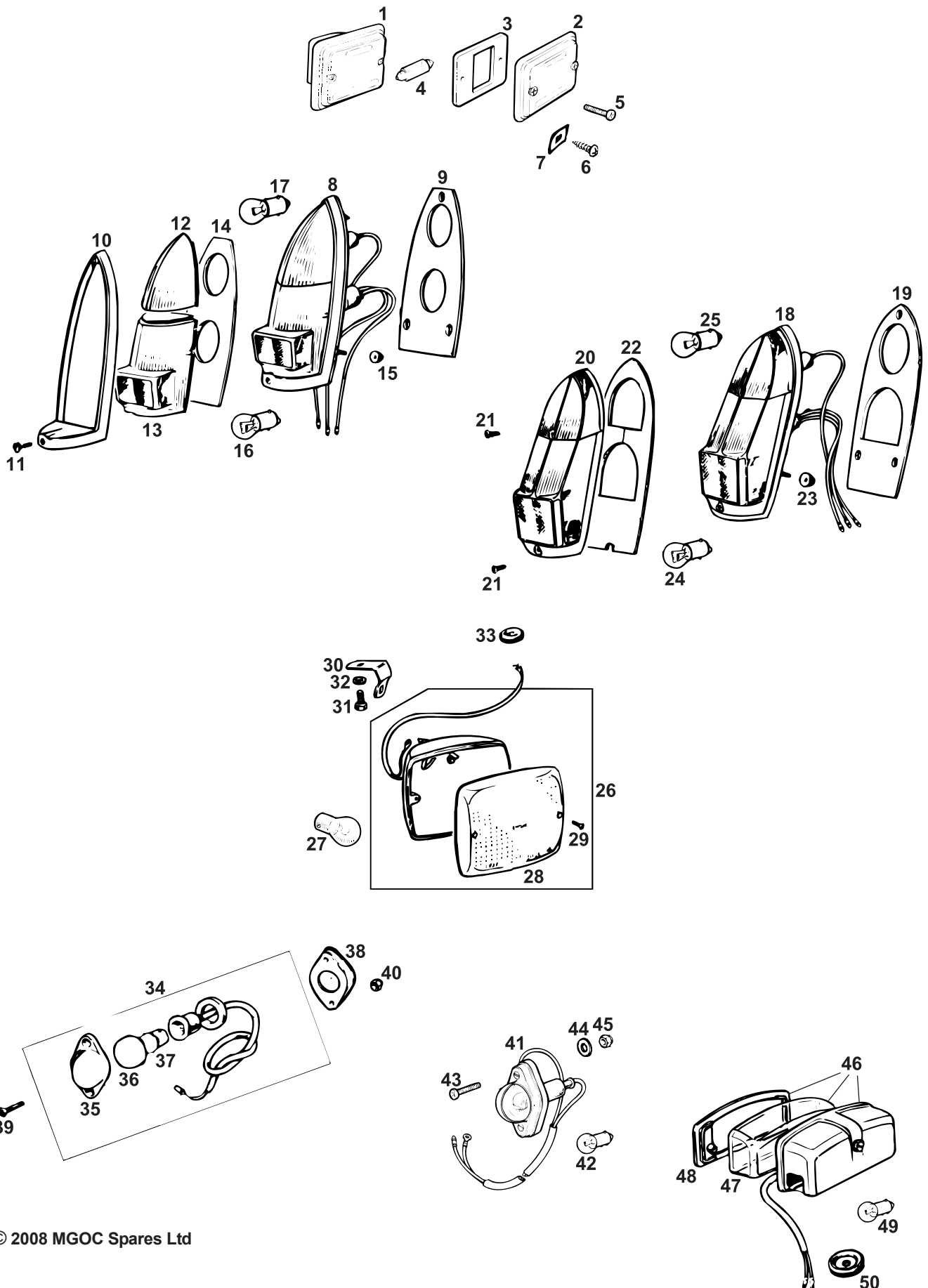
Maintaining chromework:

The Chromium Plating on all Club products is top quality and complies with BS1224 the industry standard for automotive products. To protect and preserve the chromium finish it is important that you apply Solvol Autochrome (A090) - BEFORE FITTING and re-apply at regular intervals. Wiping surfaces with a soft cloth soaked in Castrol DWF will also give excellent protection against corrosion in winter.

**Telephone: 01954 230928 Fax: 01954 231923, Email: sales@mgocspares.co.uk
Buy Online at www.mgocspares.co.uk**



MGB
& GT
1800



© 2008 MGOC Spares Ltd

Telephone: 01954 230928 Fax: 01954 231923, Email: sales@mgocspares.co.uk



**MGB
& GT
1800**



1	AAU5510	Reverse lamp assembly	2	1967 on
2	37H7512	Lens - Reverse lamp	2	
2	37H7512Z	Lens - Reverse lamp - Reproduction	2	
3	37H1759	Gasket - Lens to lamp and lamp to body	4	
4	GLB273	Bulb - Reverse lamp	2	1967-73
5	37H3751	Screw - Fine thread	4	
6	AB606082	Screw - Self tapping	4	1973 on
7	AK606021	Spire nut	4	
8	BHA4175	Rear lamp ass'y (amber/red lenses)	2	GHN3/4, GHD3/4 cars
8	BHA4176	Rear lamp ass'y (red/red lenses - export)	2	
9	57H5358	Gasket - Lamp to car	2	
10	57H5355	Rim - Lamp	2	
11	RMP308	Screw - Rim	2	
12	57H5354	Lens - Amber indicator	2	
12	57H5359	Lens - Red indicator (export)	2	
13	57H5357	Lens - Red stop light	2	
14	57H5356	Gasket - Lens to lamp	2	
15	BHA4242	Fastener - 'Dotloc'	6	
16	GLB380	Bulb - Stop and tail	2	GHN5, GHD5 cars
17	GLB382	Bulb - Indicator	2	
18	BHA4973	Rear lamp ass'y (amber/red lenses)	2	
18	BHA5260	Rear lamp ass'y (red/red lenses - export)	2	
19	37H4679	Gasket - Lamp to car	2	
20	37H4737	Lens - Rear - Amber/red	2	
20	37H7119	Lens - Rear - Red/red (export)	2	
21	PMP208	Screw	4	
22	RLG1001	Gasket - Lens to lamp	2	
23	BHA4242	Fastener - 'Dotloc'	6	
24	GLB380	Bulb - Stop and tail	2	Fitted as standard from GHN5-501004, GHD5-501036 on
25	GLB382	Bulb - Indicator	2	
26	ALU1017	Foglamp - Rear - less bulb	2	
27	GLB382	Bulb - Foglamp	2	
28	BAU1763	Lens - Foglamp	2	
29	518868	Screw	4	
30	BHH2380	Bracket - Foglamp	2	
31	SH606061	Screw	2	
32	GHF333	Washer - Spring	2	
33	5L62	Grommet	2	
Rear foglamps may be fitted to earlier cars with suitable wiring.				
34	BHA4283	Number plate lamp (on overrider)	2	Chrome bumper cars, GHN3/4/5, GHD3/4/5 to 339964
35	37H5426	Cover - Number plate lamp	2	
36	606078	Lens	2	
37	GLB207	Bulb	2	
38	AHH6398/9	Plinth - Number plate lamp - Pair	1	
39	RMP316	Screw - Short	2	
39	RMP320	Screw - Long	2	Chrome bumper cars, GHN5, GHD5 339965 on
40	GHF220	Nut - Self locking	4	
41	BHA5301	Number plate lamp (on bumper)	2	
42	GLB233	Bulb	2	
43	PMP208	Screw	4	
44	PWZ102	Washer	4	
45	GHF220	Nut - Self locking	4	Rubber bumper cars
46	127916	Number plate lamp - Chrome metal	2	
46	127916Z	Number plate lamp - Chrome plastic	2	
46	83H 335	Number plate lamp - Black	2	
47	601721	Lens (not chrome plastic lamp)	2	
48	57H5368	Gasket (not chrome plastic lamp)	2	
49	GLB233	Bulb	4	
50	14A7212	Grommet - Number plate lamp	2	

Maintaining chromework:

The Chromium Plating on all Club products is top quality and complies with BS1224 the industry standard for automotive products. To protect and preserve the chromium finish it is important that you apply Solvol Autochrome (A090) - BEFORE FITTING and re-apply at regular intervals. Wiping surfaces with a soft cloth soaked in Castrol DWF will also give excellent protection against corrosion in winter.

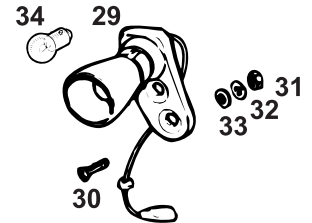
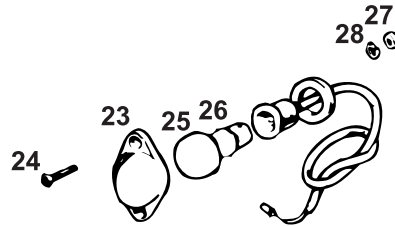
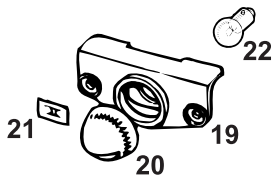
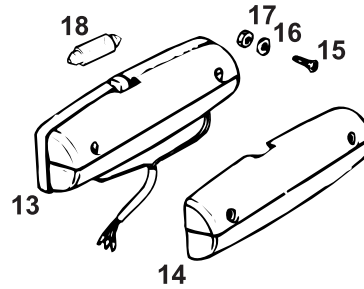
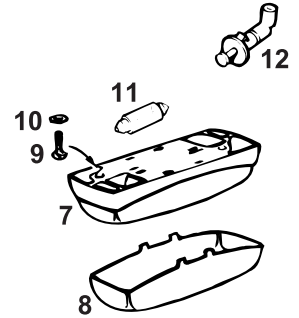
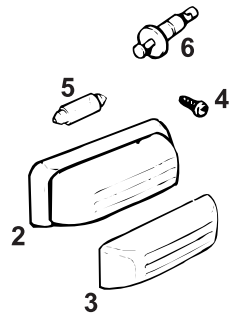
**Telephone: 01954 230928 Fax: 01954 231923, Email: sales@mgocspares.co.uk
Buy Online at www.mgocspares.co.uk**



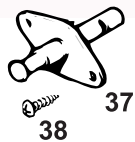
MGB
& GT
1800



1



36



38



39

40





**MGB
& GT
1800**



1	ADU2066	Footwell lamps - Pair	1	
These footwell lamps may be used in MGOC Spares' console extension panels (see consoles section).				
2	EAM1650	Tailgate lamp	1	GT 1967 on
3	24G3389	Lens	1	
4	GHF424	Screw	2	
5	GLB239	Bulb	1	Roadster 1970 on
6	13H2018	Tailgate lamp switch	1	
7	BHA5040	Boot lamp	1	
8	37H5923	Lens	1	
9	GHF422	Screw	2	GHN5, GHD5-258001 to Sept. 1976
10	PWZ102	Washer	2	
11	GLB239	Bulb	1	
12	13H391	Boot lamp switch	1	
13	BHA5138	Console lamp	1	
13	BHA5138Z	Console lamp - Reproduction	1	Sept. 1976 on
14	27H3590	Lens	1	
15	PMZ208	Screw - Lamp to console	2	
16	WL700061	Washer - Spring	2	GHN3/4/5, GHD3/4/5 up to 258000
17	NH806011	Nut	2	
18	GLB239	Bulb	1	
19	547445	Base - Courtesy lamp	1	
20	547443	Lens - Courtesy lamp	1	Automatic up to GHN5, GHD5 258000
21	PFS106	Push on fix	2	
22	GLB987	Bulb	1	
23	37H5426	Cover - Maplight	1	
24	RMP310	Screw	2	
25	606078	Lens	1	
26	GLB987	Bulb	1	
27	GHF206	Nut	2	
28	WL700101	Washer - Spring	2	
29	BHA4483	Lamp - Gearlever illumination	1	
30	RMP308	Screw	2	
31	GHF206	Nut	2	
32	WL700101	Washer - Spring	2	
33	GHF306	Washer	2	
34	GLB233	Bulb	1	
35	55578	Switch - Gearlever lamp (not illustrated)	1	
36	BHA4593	Courtesy light switch	2	
37	BHA4593Z	Courtesy light switch - Reproduction	2	
38	AB606031	Screw	4	
39	R243	Door warning light - Red	2	
Practical red warning at night to tell other drivers your door is open before they've actually seen the door itself.				
40	R244	Puddle lights - Clear	2	
Usefully bright illumination of the ground when you get out of your car at night. Fits in underside of door.				

**Telephone: 01954 230928 Fax: 01954 231923, Email: sales@mgocspares.co.uk
Buy Online at www.mgocspares.co.uk**

WASH WIPE:

WIPER ARMS & BLADES

WIPER MOTORS

WIPER DELAY CONTROL

WASHER PUMPS

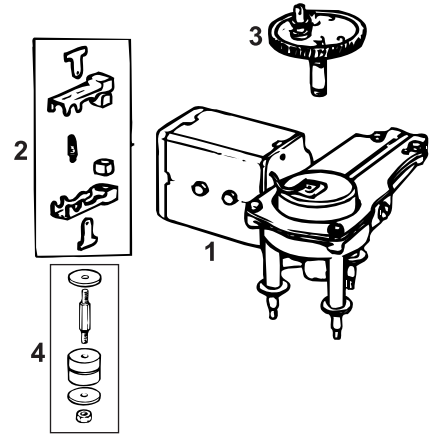
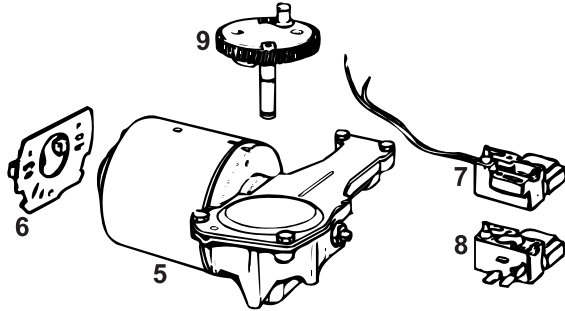
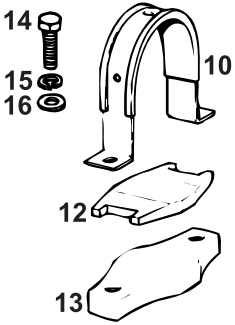
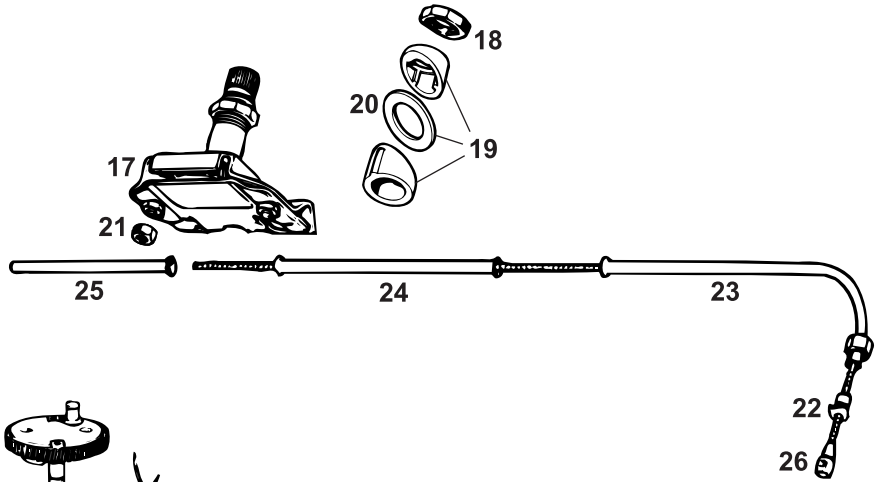
WASHER RESERVOIRS

WASHER HOSES & JETS





11



27



28



30



29

Parts Availability: Certain components within the Wipers section (e.g. some wiper motor components and wheel boxes) may not be currently available but are still included in the catalogue for reference purposes, or in anticipation that they may be reintroduced in future. These items may be identified by their absence or '0' pricing within our price look up program (please visit our website for price updates). In these circumstances customers should contact our spares team for advice - we will either provide an alternative or give second hand supplier sourcing information to MGOC members.

1	GXE7714RE	Wiper motor - Recon	1	} DR2A type, 3 synchro roadster	
2	17H5396	Brush kit	1		
3	57H5589	Gear and shaft	1		DR2A type, 3 synchro roadster, 1962 only
3	520939	Gear and shaft	1		DR2A type, 3 synchro roadster, 1963-67
4	17H5431	Mounting kit	3		DR2A type, 3 synchro roadster
5	GXE7708	Wiper motor - Recon	1	14W type, 4 synchromesh roadster and GT	

Note: GHD3 (3 synchromesh) GT originally had a 12W type wiper motor fitted. This is now obsolete and most spares are not available. If possible the motor should be sent to us to see if it could be reconditioned. It is possible to replace the 12W motor with the 14W type together with 37H3048 gear. The type number (12W or 14W) is stamped onto the plate covering the wipe gear - check to see which type is fitted.

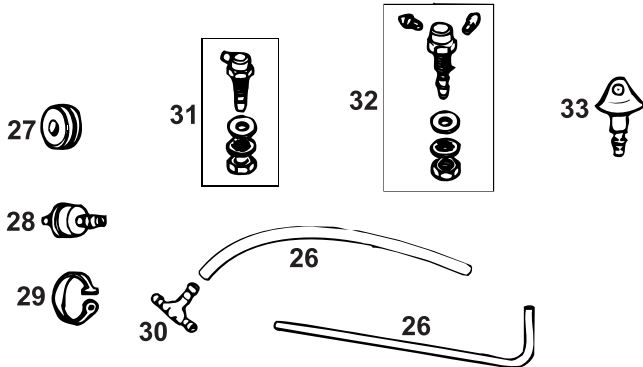
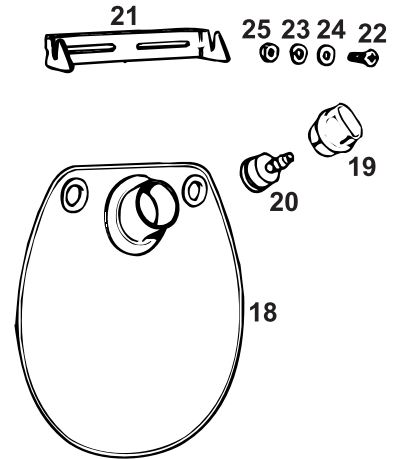
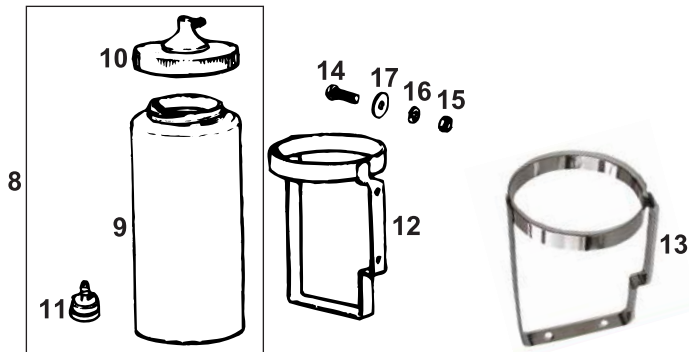
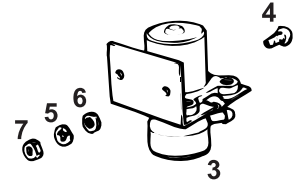
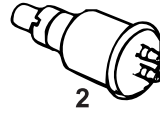
6	517644	Brush kit	1	14W type, use when parking switch 517645 fitted	
6	RTC198	Brush kit	1	14W type, use when parking switch 520160 fitted	
7	517645	Switch - Self parking - Screw fitting	1	} 14W type, alternatives - check which type is fitted before ordering	
8	520160	Switch - Self parking - Clip fitting	1		
9	37H3045	Gear and shaft	1		14W type, 4 synchro roadster, 1968 on
9	27H6420	Gear and shaft	1	12W type, 3 synchro GT, 1965-67	
9	37H3048	Gear and shaft	1	14W type, 4 synchro GT, 1968 on	
10	BHA4790	Strap - Zinc plated	1	} 14W and 12W types	
11	BHA4790S	Strap - Stainless steel	1		
12	150844	Pad	1		
13	AHH8766	Packing - Wiper motor	1		
14	SH604111	Screw	2		
15	GHF331	Washer - Spring	2	} 3 synchro roadster, 1962 only	
16	PWZ204	Washer	2		3 synchro roadster, 1963-67
17	BHA4324	Wheel box	2	4 synchro roadster, 1967 on	
17	520275	Wheel box	2	All GTs	
17	37H7738	Wheel box	2	3 synchro roadster, 1962 only	
17	AAU1073	Wheel box	2	All roadsters except 1962, all GTs	
18	ANK3459	Nut - Wheel box - 6 sided	2	} All roadsters	
18	17H8769	Nut - Wheel box - 8 sided	2		
19	519988	Bush kit	2	} All GTs	
20	ADC560	Seal	2		
19	37H6879	Bush kit	2		
20	27H6428	Seal	2	} Cut to required length	
21	GHF206	Nut	4		
22	37H3694	Ferrule - Casing	1		
23	AAU1909	Casing - Motor to wheel box	1		
24	AAU1909	Casing - Wheelbox to wheelbox	1		
25	AAU1909	Casing - Wheelbox extension	1	} Wiper rack	
26	37H5208	Wiper rack	1		
27	F244on	Wiper arms and blades - Silver	2	} Positive earth	
28	F268on	Wiper arms and blades - Black	2		} Negative earth
29	F292on	Wiper arms and blades - Polished	2		
30	F362	Smartscreen - Intermittent wiper kit	1	} Variable control wiper delay from 3 to 30 seconds. Utilises existing wiper switch so original appearance is unaffected.	
30	F361	Smartscreen - Intermittent wiper kit	1		

30 F365 Smartscreen kit - With wash/wipe 1 Negative earth
Variable delay wiper control, plus wiper activation when windscreen washers are used. For all MGs with electric washers fitted.

**Telephone: 01954 230928 Fax: 01954 231923, Email: sales@mgocspares.co.uk
Buy Online at www.mgocspares.co.uk**



MGB & GT 1800



© 2008 MGOC Spares Ltd



**MGB
& GT
1800**



1	F325	Electric washer kit	1	Easy electric conversion for earlier MG models.	
2	GWW102	Washer pump - Manual - CB	1	} Chrome bumper	
2	GWW102Z	Washer pump - Manual - Reproduction	1		
3	GWW125	Washer pump - Electric	1	} Rubber bumper	
4	PMZ308	Screw	2		
5	WL700101	Washer - Spring	2	} GHN3/4/5, GHD/3/4/5 up to 321698	
6	PWZ203	Washer	2		
7	GHF206	Nut	2		
8	GWW918K	Washer bottle - With cap and valve	1		
9	GWW 918	Washer bottle	1		
10	AHH6848	Cap	1		
11	GWW506	Foot valve	1		
Note: Early Roadsters (up to GHN3-42284) had bracket mounted on pedal box blanking plate. Later Roadster and all GT mount onto radiator diaphragm. Also note that if AHH6848 cap is not available, use GWW951 and GWW952 with GWW506.					
12	13H232	Bracket - Washer bottle - Painted	1		} GHN3/4/5, GHD/3/4/5 up to 321698
13	13H232SS	Bracket - Washer bottle - Stainless	1		
14	PMZ306	Screw	2		
15	GHF206	Nut	2		
16	WL700101	Washer - Spring	2		
17	GHF306	Washer	2	} GHN5, GHD5-321699 on	
18	GWW917	Washer bag	1		
19	GWW951	Filler plug	1		
20	GWW506	Foot valve	1		
21	BHA4919	Bracket - Washer bag	1		
22	PMZ308	Screw	2		
23	WL700101	Washer - Spring	2		
24	PWZ203	Washer	2		
25	GHF206	Nut	2		
26	GWW202M	Tubing - 6.4mm outside diameter	A/R		Per metre
26	GWW201M	Tubing - 4.8mm outside diameter	A/R		Per metre (only required for roadster with GWW802 jet)
27	RFN403	Grommet	1	} Roadster up to GHN5-447000 GT up to GHD5-447035 GHN5-447001, GHD5-447036 on.	
28	GWW504	Non return valve	1		
29	GHF1266	Strap - 'Tie wrap'	1		
30	GWW404	Tee piece	1		
31	GWW802	Washer jet - Chrome	2		
32	GWW801	Washer jet - Chrome	1		
33	GWW829	Washer jet - Black	2		
34	F328	Heat-n-wash	1		

Simple device to pre-heat screen wash fluid to guard against frozen washer jets (always when you most need them)

Telephone: 01954 230928 Fax: 01954 231923, Email: sales@mgocspares.co.uk
Buy Online at www.mgocspares.co.uk

ELECTRICS:

SPEEDOMETER & TACHOMETER

SPEEDOMETER CABLES

AUXILLIARY GAUGES

HORNS

SWITCHES

STEERING LOCKS

LOOMS

INDICATOR STALKS

BATTERIES

BATTERY CABLES

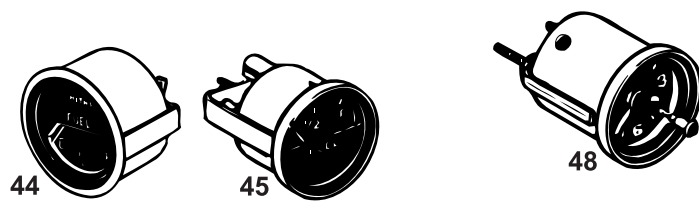
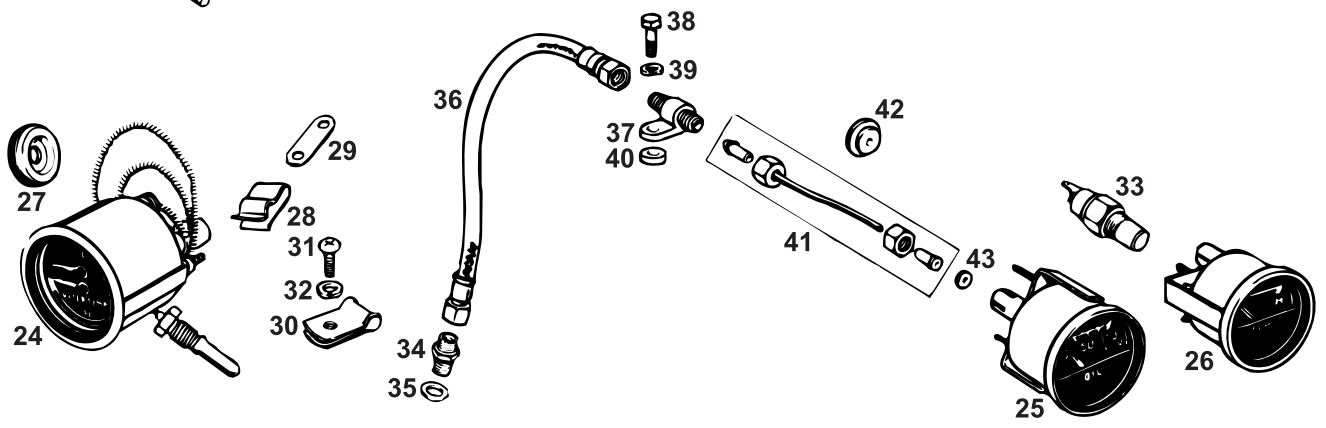
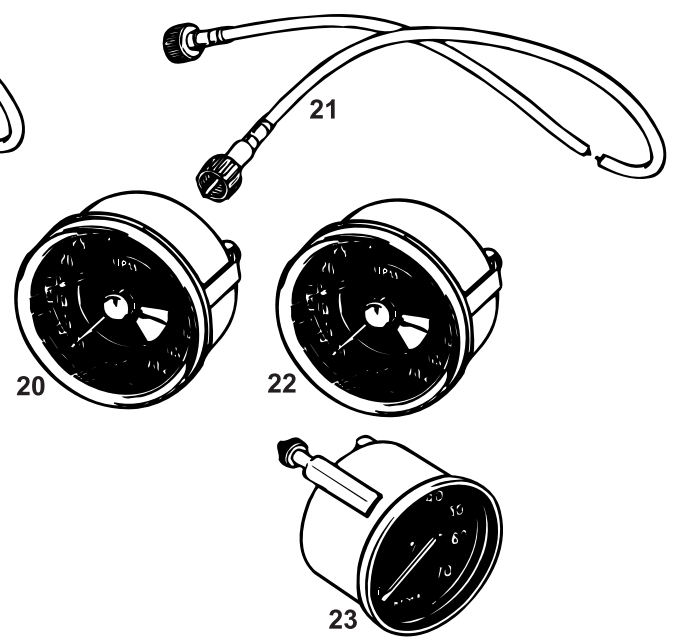
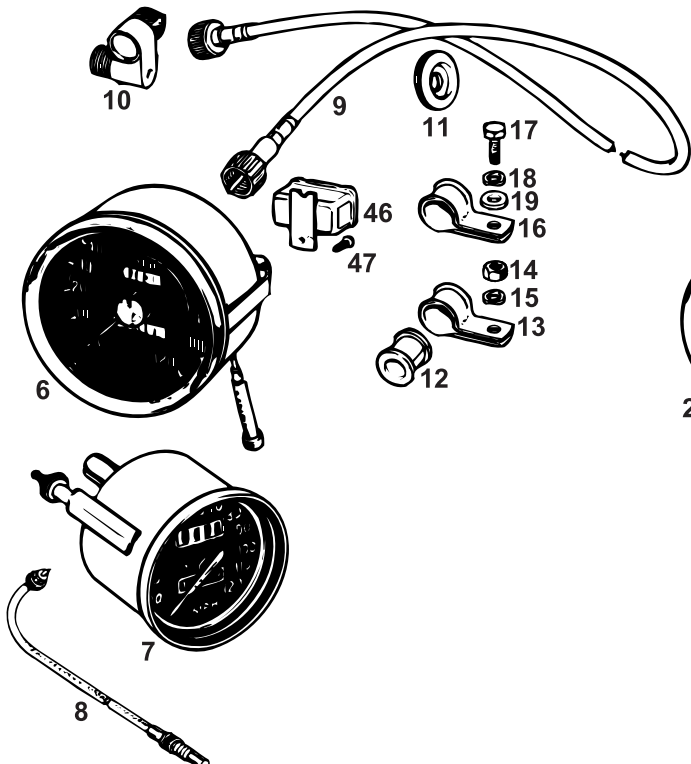




MGB & GT 1800



© 2008 MGOC Spares Ltd



Telephone: 01954 230928 Fax: 01954 231923, Email: sales@mgocspares.co.uk



**MGB
& GT
1800**



1	K134E	Speedometer - Magnolia or Silver1	} Customers own unit - State gauge number
2	K135E	Tachometer - Magnolia or Silver1	
3	K133E	Gauge - Dual - Magnolia or Silver1	
4	K136E	Gauge - Fuel - Magnolia or Silver1	
5	K132E	Gauge - Clock - Magnolia or Silver1	

Original instruments refurbished with magnolia or silver faces to contrast with and enhance any dashboard, especially if burr walnut or carbon fibre dash panels are used. Either available on exchange or through reconditioning your own instruments, depending on availability. Please contact us for details.

6	SN6125/04E	Speedo - Jaeger - 1060 TPM - BHA4286	... 1	Non overdrive, 1962-64
6	SN6125/06E	Speedo - Jaeger - 1040 TPM - BHA4288	... 1	Overdrive, 1962-64
6	SN6125/04AE	Speedo - Smiths - 1040 TPM - BHA4466	... 1	Non Overdrive; square pointer, 1964
6	SN6125/06AE	Speedo - Smiths - 1020 TPM - BHA4468	... 1	Overdrive; square pointer, 1964
6	SN6144/00E	Speedo - Smiths - 1040 TPM - BHA4478	... 1	Non Overdrive, 1964-67
6	SN6144/02E	Speedo - Smiths - 1020 TPM - BHA4480	... 1	Overdrive, 1964-67
6	SN6144/20E	Speedo - Smiths - 1280 TPM - BHA5281	... 1	} Non-overdrive and overdrive, 1968-74. Also automatic with 3.9:1 axle
6	SN6144/23E	Speedo - Smiths - 1280 TPM - BHA5281	... 1	
6	SN6144/28E	Speedo - Smiths - 1216 TPM - BHA4868	... 1	Automatic with 3.7:1 axle
7	SN5230/13E	Speedo - Smiths - 1000 TPM - BHA5339	... 1	Rubber bumper, 1975 to Sept. 1976
7	SN5234/00E	Speedo - Smiths - 1000 TPM - AAU3035	... 1	Rubber bumper, Sept. 1976 to 1979 (increments of 10mph on face)
7	SN5234/02E	Speedo - Smiths - 1000 TPM - ADU2174	... 1	Rubber bumper, 1979-80 (increments of 20mph on face)

Export market exchange reconditioned speedometers including kph calibrated also stocked - please contact us with your gauge number ('SN' number).

8	BHA4772	Mileometer reset1	Rubber bumper
9	GSD111	Cable - Speedometer - 48 in1	3 synchro non overdrive and automatic
9	GSD117	Cable - Speedometer - 60 in1	3 synchro and 4 synchro overdrive to Sept. 1976
9	GSD249	Cable - Speedometer - 39 in1	4 synchro non overdrive
9	GSD315	Cable - Speedometer - 57 in1	Sept. 1976 on
10	120694	Right angle drive - Speedo cable1	Not fitted to 4 synchro overdrive
11	RFR405	Grommet - Cable A/R	
12	ACH8529	Ferrule1	} Speedo cable to gearbox 1962-73
13	PCR809	Clip - Cable (non-overdrive gearbox)1	
13	AHH7178	Clip - Cable (overdrive gearbox)1	
14	GHF200	Nut1	} Speedo cable to gearbox crossmember 1973 on
15	GHF331	Washer - Spring1	
16	PCR809	Clip - Cable1	
17	SH604051	Screw1	} 1962-64
18	GHF331	Washer - Spring1	
19	GHF301	Washer1	} Positive earth 1964-67
20	RN2312/01E	Tachometer - Jaeger (mechanical) - BHA4212	... 1	
21	BHA4291	Cable - Tachometer1	} Negative earth converted 1964-67
22	RVI2401/00E	Tachometer - Smiths (electrical) - BHA4380	... 1	
22	RVI2401/00EN	Tachometer - Smiths (electrical) - BHA4380	... 1	} Negative earth 1968-72
22	RVI2418/00E	Tachometer - Smiths (electrical) - 37H4320	... 1	
22	RVI2430/00E	Tachometer - Smiths (electrical) - BHA4712	... 1	} Negative earth 1972-74
22	RVC2415/00E	Tachometer - Smiths (electrical) - BHA5220	... 1	
23	RVC1410/00AFE	Tachometer - Smiths (electrical) - BHA5219	... 1	Rubber bumper 1975 to Sept. 1976
23	RVC1414/00FE	Tachometer - Smiths (electrical) - AAU3037	... 1	Rubber bumper Sept. 1976 to 1979 (RVC1414/00F)
23	RVC1414/01FE	Tachometer - Smiths (electrical) - ADU2176	... 1	Rubber bumper 1979-80 (RVC1414/01F)
24	BHA4295E	Dual gauge - Jaeger - °F - GD1501/01	... 1	} External illumination gauge; 3 synchromesh 1962-64
24	BHA4296E	Dual gauge - Jaeger - °C - GD1501/04	... 1	
24	BHA4586E	Dual gauge - Smiths - °F - GD1501/14 or 14A	... 1	} External illumination gauge; 3 synchromesh 1964-67
24	BHA4587E	Dual gauge - Smiths - °C - GD1501/15 or 15A	... 1	
24	BHA4737	Dual gauge - Smiths - °F - GD1301/19 or GD1301/04	... 1	Internal illumination gauge; 4 synchromesh 1968-69
24	BHA4764	Dual gauge - Smiths - °C - GD1301/20 or GD1301/00	... 1	Internal illumination gauge; 4 synchromesh 1968-69
24	BHA4900	Dual gauge - Smiths - CNH - GD1301/21	... 1	Internal illumination gauge; 4 synchromesh 1969 to Sept. 1976
25	AAU3033E	Oil pressure gauge - PL2324/001	} Sept. 1976 on
26	AAU3030E	Temperature gauge - BT2231/011	

NOTE: Both new and exchange reconditioned internal illumination gauges are available. The new gauges are outright purchases.

27	RFR503	Grommet - Temp gauge capillary1	} 1962 to Sept. 1976
28	1G9529	Clip - Temperature gauge capillary1	
29	AHH5802	Retainer - Clip1	
30	PCR309	Clip - capillary (secured by oil pipe screw)	... 1	
30	PCR307	Clip - capillary (on bulkhead behind dash)	... 1	
31	PMZ308	Screw1	} Sept. 1976 on
32	WL700101	Washer - Spring1	
33	GTR101	Sender - Temperature gauge1	
34	11G15	Adaptor - Oil gauge hose to block1	
35	6K638	Washer1	
36	AHH6554	Oil pipe flexible1	
37	AAA628	Connector - Oil pipe1	
38	GHF101	Screw1	} 1962 to Sept. 1976
38	GHF117	Screw1	
39	GHF331	Washer - Spring1	} Sept. 1976 on
40	AHH6247	Spacer1	
41	AHH6678	Pipe - Oil capillary1	



MGB
& GT
1800



© 2008 MGOC Spares Ltd



Telephone: 01954 230928 Fax: 01954 231923, Email: sales@mgocspares.co.uk



**MGB
& GT
1800**



42	AAA643	Grommet - Oil capillary	1	1962-69
42	AHC805	Grommet - Oil capillary	1	1969 to Sept. 1976
42	BHH551	Grommet - Oil capillary	1	Sept. 1976 on
43	2K4936	Washer - Oil gauge to capillary	1	
44	BHA4214E	Fuel gauge - Jaeger - FG2530/63	1	1962-64 (3 synchro roadsters with strap-on oval fuel tank)
44	BHA4381E	Fuel gauge - Smiths - FG2530/70	1	1964 (3 synchro roadsters with strap-on oval fuel tank)
44	BHA4470E	Fuel gauge - Smiths - BF2300/02	1	1964-67 (3 synchro roadster and GT with squared-off fuel tank)
44	BHA4685E	Fuel gauge - Smiths - BF2223/00	1	1968-69 (4 synchro)
44	BHA4736E	Fuel gauge - Smiths - BF2226/00	1	1969 to Sept. 1976 (4 synchro)
45	AAU3032	Fuel gauge - BF2239/00	1	Sept. 1976 on
46	128484	Voltage stabiliser	1] 1964-67 (3 synchro roadster and GT with squared-off fuel tank)
47	AB608031	Screw	1	
46	BHA4602	Voltage stabiliser	1] 1968 on (4 synchro)
47	GHF425	Screw	1	
48	AAU4948	Clock	1	Sept. 1976 on
49	K132	Clock - Magnolia - Chrome rim - New	1] 'Smiths' branded accessory clocks
50	K131	Clock - Black - Chrome rim - New	1	

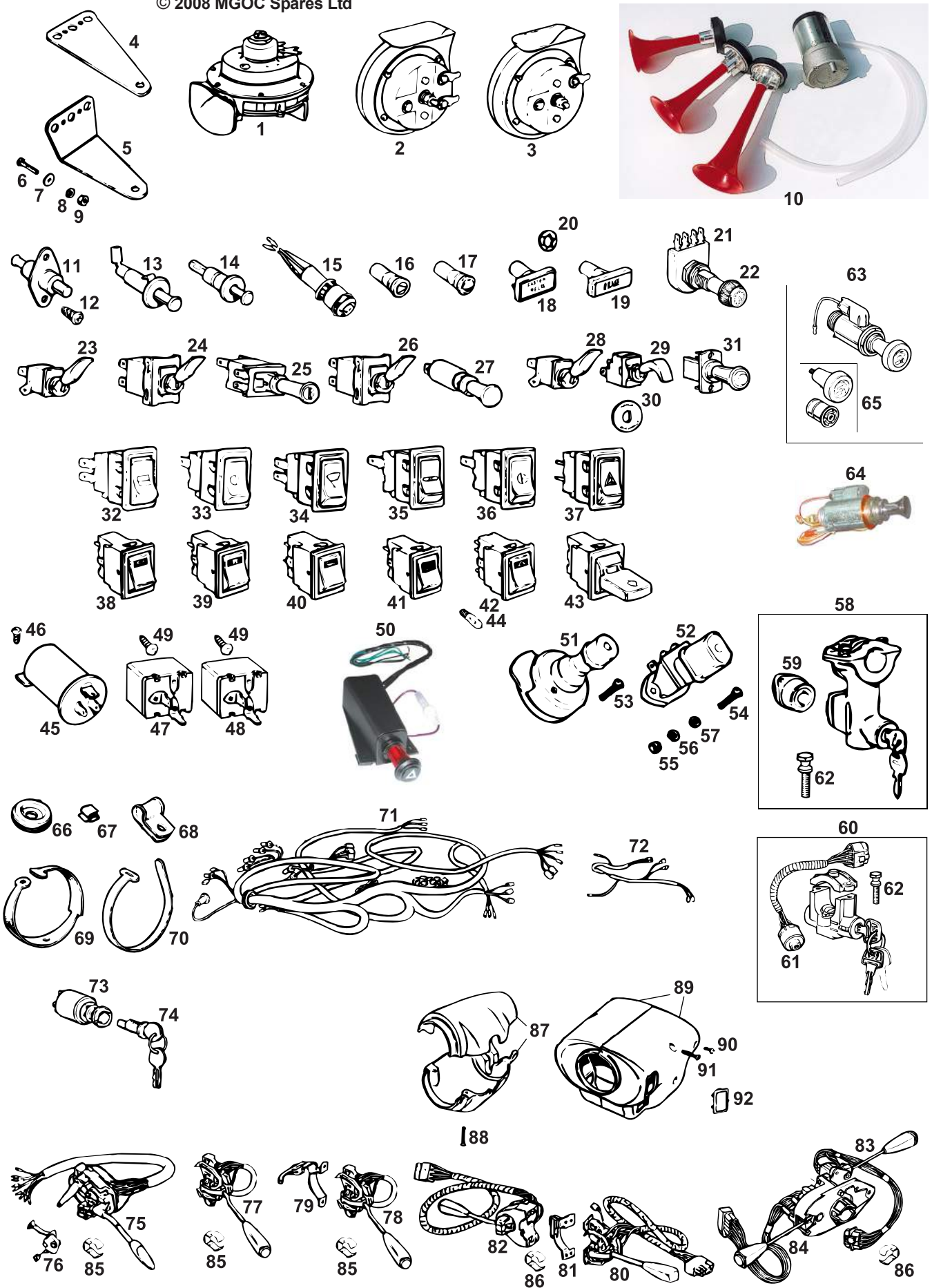
**Telephone: 01954 230928 Fax: 01954 231923, Email: sales@mgocspares.co.uk
Buy Online at www.mgocspares.co.uk**



MGB & GT 1800



© 2008 MGOC Spares Ltd



Parts Availability: Certain components within the Electrical section (e.g. some warning lamps and switches) may not be currently available but are still included in the catalogue for reference purposes, or in anticipation that they may be reintroduced in future. These items may be identified by their absence or '0' pricing within our price look up program (please visit our website for price updates). In these circumstances customers should contact our spares team for advice - we will either provide an alternative or give second hand supplier sourcing information to MGOC members.

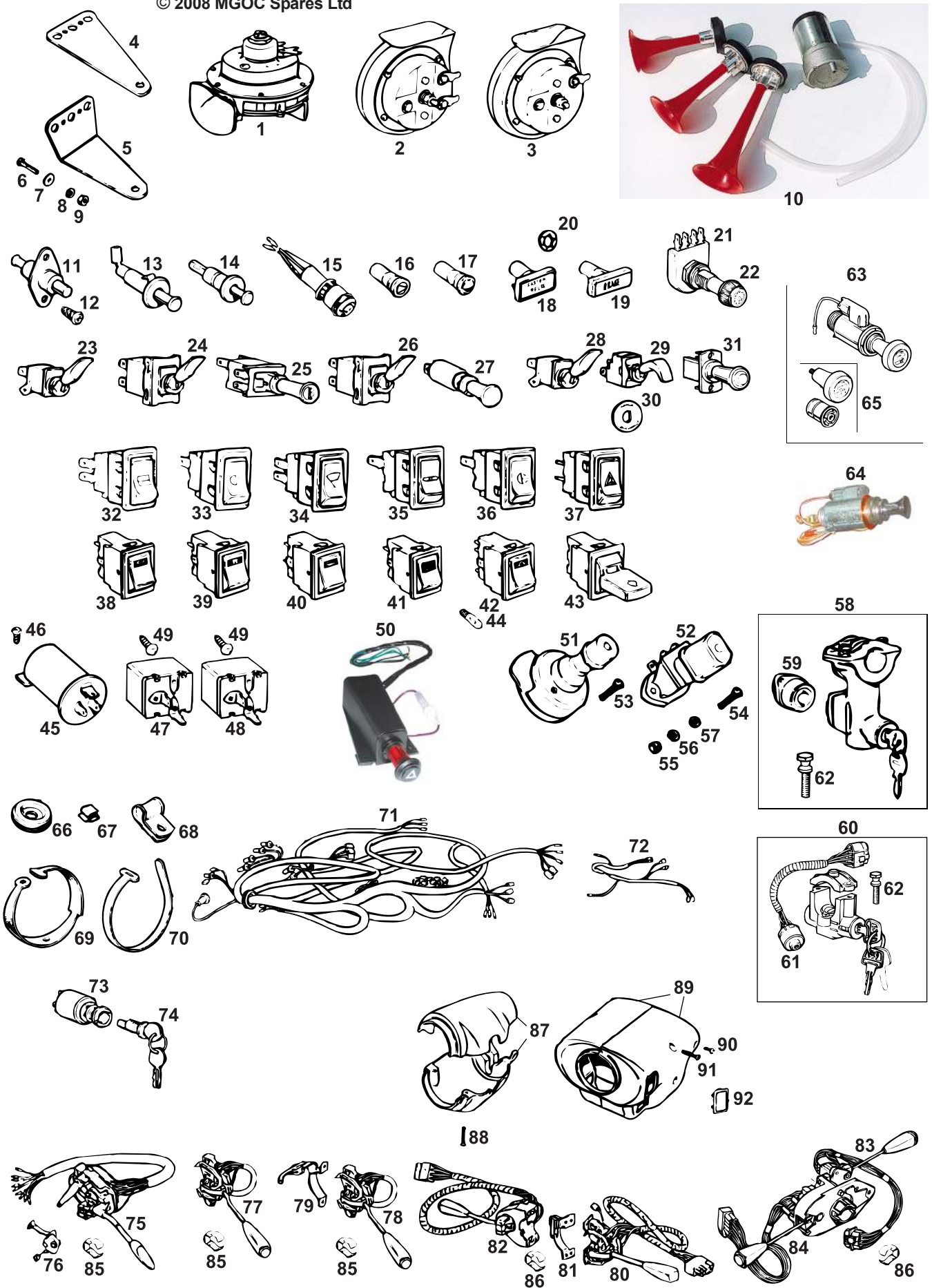
1	BHA4975	Horn - Lucas - High note - 2 terminal	1	Chrome bumper original fitment
1	BHA4976	Horn - Lucas - Low note - 2 terminal	1	Chrome bumper original fitment (optional on GHN3/4 and GHD3/4 cars)
2	GGE103	Horn - Mixo - High note - 2 terminal	1	Rubber bumper up to Sept. 1976. May be used to replace BHA4976
2	GGE104	Horn - Mixo - Low note - 2 terminal	1	
3	GGE101	Horn - Mixo - High note - 1 terminal	1	Rubber bumper Sept. 1976 on
3	GGE102	Horn - Mixo - Low note - 1 terminal	1	
4	57H5309	Bracket - Horn	2	
5	GGE110	Bracket - Horn	2	
6	SE604051	Screw	4	
7	GHF300	Washer	4	
8	GHF331	Washer - Spring	4	
9	GHF200	Nut	4	
10	F335	Air horns - Double Monza	1	
10	F330	Air horns - Triple Targa	1	
11	BHA4593	Switch - Door courtesy light	2	Original type
11	BHA4593Z	Switch - Door courtesy light	2	Reproduction
12	AB606031	Screw	4	
13	13H391	Switch - Boot lamp	1	Roadster 1970 on
14	13H2018	Switch - Tailgate lamp	1	GT 1967 on
15	BHA4770	Warning lamp - Heated rear window	1	Up to Sept. 1976
16	BHA5124	Warning lamp - Green - Indicators	2	Rubber bumper up to Sept. 1976
17	AAU3857	Warning lamp - Red - Ignition	1	
17	AAU3858	Warning lamp - Blue - Main beam - Chrome	1	Sept. 1976 on
16	AAU4824	Warning lamp - Green - Indicators - Chrome	2	
17	BHA5122	Warning lamp - Blue - Main beam	1	Up to Sept. 1976
17	AAU3857	Warning lamp - Red - Ignition	1	
18	13H7986	Warning lamp - Fasten seat belts	1	Sept. 1976 on
19	UKC5812	Warning lamp - Brakes	1	Up to Sept. 1976
20	BHA5125	Washer - Retaining	2	
21	BHA4278	Rheostat - Panel lights	1	Sept. 1976 on
21	37H7994	Rheostat - Panel lights	1	
22	37H7995	Knob - Rheostat	1	
23	149011	Switch - Wiper - Single speed - Toggle	1	GHN3, GHD3 cars
23	BHA4786	Switch - Wiper - Two speed - Toggle	1	GHN4, GHD4 cars; GHN5, GHD5 to 258000
24	BCA4294	Switch - Lights - Toggle	1	GHN3 to 91366
25	BHA4578	Switch - Lights - Barrel	1	GHN3 - 91337 to GHN5, GHD5 - 258000
26	RTC430	Switch - Heater fan - Toggle	1	GHN3/4, GHD3/4 cars; GHN5, GHD5 to 258000
26	RTC430	Switch - Auxiliaries - Toggle	A/R	Fog and spot lamps etc.; GHN3/4, GHD3/4 cars; GHN5, GHD5 to 258000
27	BHA4280	Switch - Maplight - Barrel	1	
28	RTC430	Switch - Overdrive - Straight toggle	1	GHN3 to 61015
29	BHA4513	Switch - Overdrive - Hooked toggle	1	All chrome bumper cars except GHN3 to 61015
30	AHH6277	Escutcheon - Overdrive - Chrome finish	1	Alternatives - use AHH6277S if AHH6277 is not available
30	AHH6277S	Escutcheon - Overdrive - Satin finish	1	
31	GAE132	Switch - Heated rear window - Barrel	1	Up to GHN5, GHD5 - 258000
32	BHA5114	Switch - Heated rear window - Rocker	1	GHN5, GHD5 - 258001 to Sept. 1976
33	BHA5111	Switch - Lights - Rocker	1	
34	BHA5110	Switch - Wiper - Two speed - Rocker	1	Chrome bumper cars from GHN5, GHD5 - 258001
35	BHA5113	Switch - Heater fan - Rocker	1	GHN5, GHD5 - 258001 to Sept. 1976
36	GAE140	Switch - Auxiliaries - Rocker	A/R	Fog and spot lamps etc.; GHN5, GHD5 - 258001 to Sept. 1976
37	BHA5267	Switch - Hazard warning - Rocker	1	GHN5, GHD5 - 328801 to Sept. 1976
38	AAU3206	Switch - Interior light - Rocker	1	Illuminated switch, Sept. 1976 on
39	AAU3204	Switch - Heater fan - Rocker	1	
40	AAU3210	Switch - Heated rearwindow - Rocker	1	Illuminated switch, Sept. 1976 on. When rear fog switch not fitted
40	ALU1016	Switch - Heated rearwindow - Rocker	1	Illuminated switch, Sept. 1976 on. When rear fog switch fitted
41	ADU4787	Switch - Rear foglamps - Rocker	1	Illuminated switch, GHN5 - 501004 on, GHD5 - 501036 on
42	AAU3205	Switch - Hazard warning - Rocker	1	Illuminated switch, Sept. 1976 on
43	AAU4562	Switch - Lights	1	Sept. 1976 on
44	GLB921	Bulb - Internal	A/R	For illuminated switches
45	GFU2103	Flasher unit - Three terminal	1	GHN3, GHD3 cars
46	GHF423	Screw	1	
47	GFU2124	Flasher unit - Two terminal	1	GHN4/5, GHD4/5 cars
48	GFU2204	Flasher unit - Hazard warning	1	GHN5, GHD5 - 328801 on
49	GHF425	Screw	1/2	GHN4/5, GHD4/5 cars. Qty increased for hazard warning fitted cars
50	M121	Hazard warning light kit	1	Adds hazard warning lights to pre-1974 MGBs
51	502087	Dipswitch - Floor mounted - Round	1	GHN3, GHD3 cars
52	RTC432	Dipswitch - Floor mounted - Rectangular	1	
53	CMZ318	Screw	2	For 502087 switch
54	PMZ310	Screw	2	For RTC432 switch
55	GHF206	Nut	2	
56	WL700101	Washer - Spring	2	
57	GHF306	Washer	2	



MGB & GT 1800



© 2008 MGOC Spares Ltd





**MGB
& GT
1800**



58 BHA5215	Steering lock assembly	1] Chrome bumper
59 37H7708	Switch - Steering lock	1	
60 BHM7144X	Steering lock assembly	1] Rubber bumper
61 BHA5292	Switch - Steering lock	1	
62 51K4001	Shear bolt	2	
63 AHH7010	Cigar lighter	1	12 volt illuminated with black plastic pictorial knob
64 AHH7010C	Cigar lighter - Chrome	1	12 volt illuminated with chrome knob
65 AJM1253	Element - Cigar lighter	1	With black plastic pictorial knob
66 C5574	Grommet - 1 1/4" hole, 5/16" cable	A/R	
66 5L62	Grommet - 1" hole, 1/4" cable	A/R	Head and sidelamp leads through inner wing etc.
66 RFR503	Grommet - 1" hole, 3/16" cable	A/R	Tank sender lead etc.
66 RFN403	Grommet - 5/8" hole, 3/16" cable	A/R	
66 14A7212	Grommet - 11/16" hole, 3/16" cable	A/R	Number plate lamp leads etc.
66 5L489	Grommet - Loom - Dash to engine bay	1	
66 5L62	Grommet - Loom - Tail - Through boot floor	1	
67 BMK385	Clip - Edge	A/R] 3 required for tank sender unit leads on tank, plus various other uses
68 PCR207	Clip - 1/4" cable 7/32" fixing hole	A/R	
68 PCR307	Clip - 3/16" cable 7/32" fixing hole	A/R] To suit 10/32 UNF fixings, e.g. PMZ306
68 PCR407	Clip - 1/4" cable 7/32" fixing hole	A/R	
68 PCR507	Clip - 5/16" cable 7/32" fixing hole	A/R	
68 PCR607	Clip - 3/8" cable 7/32" fixing hole	A/R	
68 PCR807	Clip - 1/2" cable 7/32" fixing hole	A/R	
68 PCR1007	Clip - 5/8" cable 7/32" fixing hole	A/R	
68 PCR1207	Clip - 3/4" cable 7/32" fixing hole	A/R	
68 PCR309	Clip - 3/16" cable 9/32" fixing hole	A/R	
68 PCR409	Clip - 1/4" cable 9/32" fixing hole	A/R	
68 PCR509	Clip - 5/16" cable 9/32" fixing hole	A/R	
68 PCR709	Clip - 7/16" cable 9/32" fixing hole	A/R] To suit 1/4 UNF or UNC fixings, e.g. SH604051
68 PCR809	Clip - 1/2" cable 9/32" fixing hole	A/R	
68 PCR1009	Clip - 5/8" cable 9/32" fixing hole	A/R] To suit 5/16 UNF or UNC fixings, e.g. SH605051
68 PCR311	Clip - 3/16" cable 11/32" fixing hole	A/R	
68 PCR411	Clip - 1/4" cable 11/32" fixing hole	A/R	
68 PCR511	Clip - 5/16" cable 11/32" fixing hole	A/R	
68 PCR611	Clip - 3/8" cable 11/32" fixing hole	A/R	
68 PCR811	Clip - 1/2" cable 11/32" fixing hole	A/R	
69 GHF1266	Strap - Cable - 'Tie wrap'	A/R	Loom to RH radiator stay (chrome bumper), column lock wiring etc.
70 2K6640	Strap - Cable - Aluminium	A/R	Stalk leads to column, main harness to clutch pipe, foot dipswitch lead etc.
71 BL601	Loom - 1962 - 64 - Vinyl bound	1] Mech. tacho, dynamo. Early GHN3 (roadster), 18G/GA (3 bearing) engine
71 BL621	Loom - 1962 - 64 - Cloth bound	1	
71 BL602	Loom - 1964 - 67 - Vinyl bound	1] Elec. tacho, dynamo, pos. earth. GHN3, GHD3, 18GB (5 bearing) engine
71 BL622	Loom - 1964 - 67 - Cloth bound	1	
71 BL603	Loom - 1967 - 68 - Vinyl bound	1] Alternator (16AC), 4TR control box, 2 fuse fusebox. Early GHN4, GHD4 cars
71 BL623	Loom - 1967 - 68 - Cloth bound	1	
71 BL604	Loom - 1967 - 69 - Vinyl bound	1] As BL603/623 but no 4TR control box. Later GHN4, GHD4 cars and early cars converted to ACR alternator
71 BL624	Loom - 1967 - 69 - Cloth bound	1	
71 BL605RD	Loom - 1969 - 70 - Roadster	1	Indicator/dipswitch/horn button on column stalk, 4 fuse fusebox.
71 BL605GT	Loom - 1969 - 70 - GT	1	GHN5, GHD5 to 219000
71 BL606RD	Loom - 1970 - 71 - Roadster	1	Horn button on centre of steering wheel, RVI tacho, no centre console.
71 BL606GT	Loom - 1970 - 71 - GT	1	GHN5, GHD5-219001 to 258000
71 BL611RD	Loom - 1971 - 72 - Roadster	1	Centre console, RVI tacho, rocker switches but no hazard switch.
71 BL611GT	Loom - 1971 - 72 - GT	1	GHN5, GHD5-258001 to GHN5-294250, GHD5-296000
71 BL614RD	Loom - 1972 - 73 - Roadster	1	Centre console, RVC tacho, no hazard switch.
71 BL614GT	Loom - 1972 - 73 - GT	1	GHN5-294251 to 328100, GHD5-296001 to 328800
71 BL616RD	Loom - 1973 - 74 - Roadster	1	Hazard switch, centre consul, RVC tacho. Last of chrome bumpers.
71 BL616GT	Loom - 1973 - 74 - GT	1	GHN5-328101 to 360300, GHD5-328801 to 361000

For rubber bumper cars the looms can be bought in sections as required:

71 BL531	Loom - Main and dashboard	1] Rubber bumper, overdrive switch combined with wiper switch.
71 BL532	Loom - Main	1	
71 BL533	Loom - Main	1	GHN5-360301 to 410000, GHD5-361001 to 410350 (up to Sept. 1976)
71 BL534	Loom - Main	1	Sept. 1976 on with single circuit brakes, GHN5-410001 to approximately 437180, GHD5-410351 to approximately 436464
71 BL535	Loom - Main	1	Sept. 1976 on with dual circuit brakes and two terminal horns.
71 BL536	Loom - Main	1	GHN5-437181, GHD5-436465 (approximately) to 471000
71 BL541	Loom - Dashboard	1	Single terminal horns, no rear fog lights.
71 BL542	Loom - Dashboard	1	GHN5, GHD5-471001 to GHN5-501003, GHD5-501035
71 BL543	Loom - Tail - Roadster	1	Rear fog lights fitted, fan sender in radiator with pin terminals.
71 BL544	Loom - Tail - Roadster	1	GHN5-501004 to 511519, GHD5-50136 to 512407
71 BL545	Loom - Tail - GT	1	Fan sender in radiator with spade terminals.
71 BL546	Loom - Tail - GT	1	GHN5-511520 on, GHD5-512408 on
71 BL547	Loom - Tail - Roadster	1	Without rear foglamps. Rubber bumper to GHN5-501003, GHD5-501035
71 BL548	Loom - Tail - GT	1	With rear foglamps. GHN5-501004, GHD5-501036 on

None of the above looms contain the inhibitor, overdrive or reverse lamp looms. These are available as follows:

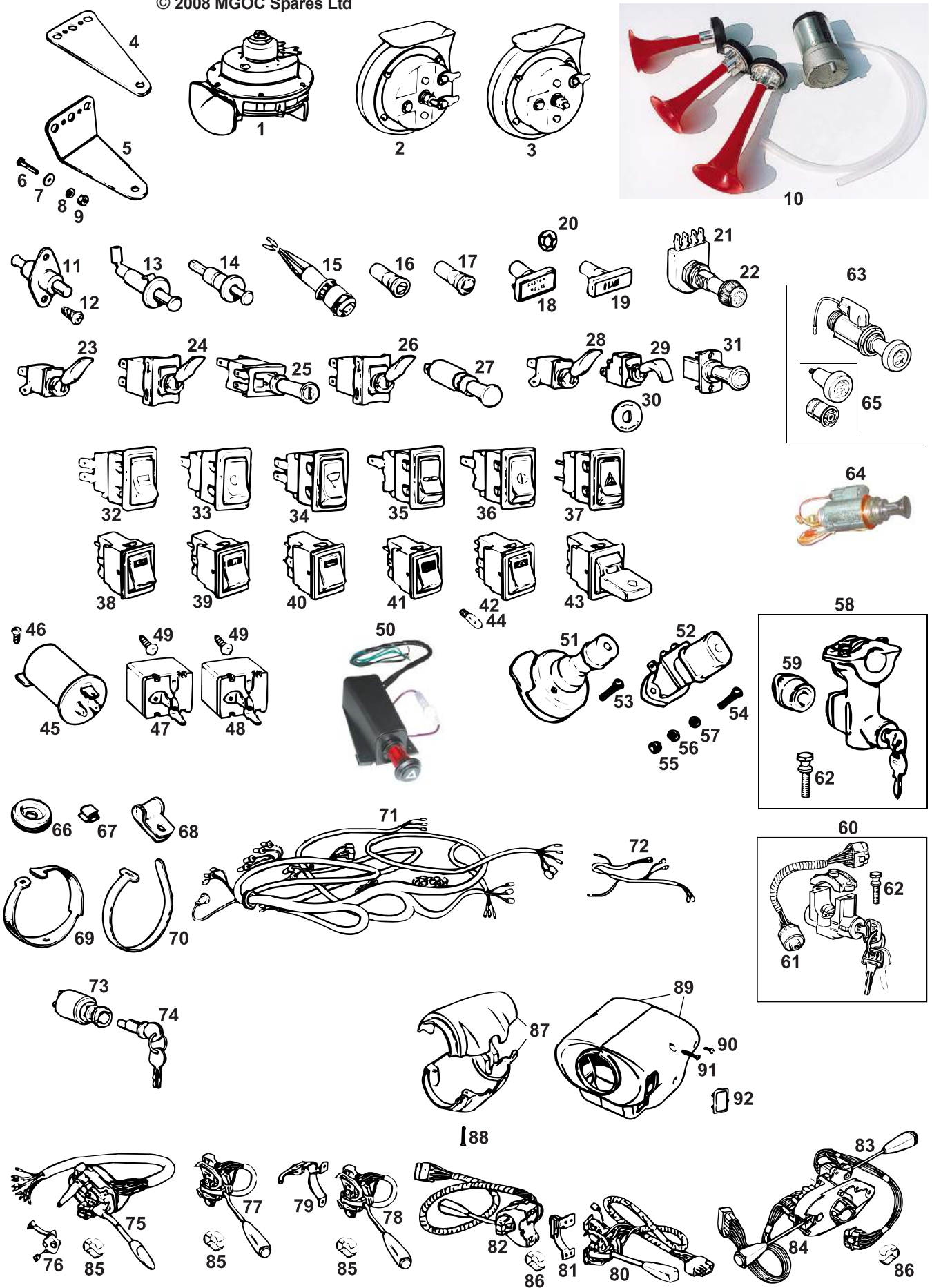
72 BL651	Loom - O/d relay/vac switch - Vinyl	1] GHN3, GHD3 (3 synchromesh) gearbox
72 BL671	Loom - O/d relay/vac switch - Cloth	1	
72 BL652	Loom - O/d to main loom - Vinyl	1] Contains lead for optional reverse lamps
72 BL672	Loom - O/d to main loom - Cloth	1	



MGB & GT 1800



© 2008 MGOC Spares Ltd





**MGB
& GT
1800**



72	BL653	Loom - Reverse light switch - Vinyl	1	}	Non overdrive cars with reverse lamps
72	BL673	Loom - Reverse light switch - Cloth	1		
72	BL654	Loom - O/d/rev light switch - Vinyl	1	}	4 synchromesh to Sept. 1976
72	BL674	Loom - O/d/rev light switch - Cloth	1		
72	BL655	Loom - Inhibitor/rev light switch - Vinyl	1	}	Automatic transmission
72	BL675	Loom - Inhibitor/rev light switch - Cloth	1		
72	BL657	Loom - O/d/rev light switch - Vinyl	1	}	Sept. 1976 on GHN3, GHD3 when steering lock not fitted GHN4/5, GHD4/5 when steering lock not fitted Alternative to 13H926, without auxilliary terminal Fits 13H337 and 13H926
73	13H337	Switch - Ignition and Starter	1		
73	13H926	Switch - Ignition and Starter	1	}	GHN3/4, GHD3/4 cars. Includes headlamp flash switch GHN5, GHD5 up to 219000 (with horn)
73	13H926Z	Switch - Ignition and starter	1		
74	24G1345	Key barrel - Switch - With 2 keys	1	}	Chrome bumper GHN5, GHD5 - 219001 on
75	BHA4628	Indicator stalk	1		
76	18G8786	Repair kit - Indicator stalk	1	}	Rubber bumper RHD to Sept. 1976
77	BHA4948	Indicator stalk	1		
78	37H8050	Indicator stalk	1	}	Rubber bumper RHD from Sept. 1976
79	37H8051	Clip - Horn contact	1		
80	37H8101	Indicator stalk	1	}	Chrome bumper Rubber bumper Chrome bumper GHN3/4, GHD3/4 Chrome bumper GHN5, GHD5 Chrome bumper
81	37H8102	Clip - Horn contact	1		
82	BHA5251	Wiper/Overdrive stalk	1	}	Rubber bumper
83	AAU4991	Indicator stalk	1		
84	BAU1020	Wiper stalk	1	}	Rubber bumper
85	BHH1301	Indicator trip	1		
86	BHH402	Indicator trip	1	}	Quantity reduced from Sept. 1976 on
87	18G8387	Cowl	1		
87	18G8713	Cowl	1	}	Rubber bumper
88	RMP214	Screw	4		
89	BHM7090	Cowl	1	}	Quantity reduced from Sept. 1976 on
90	AB610041	Screw	2		
91	PMZ316	Screw	2	}	Quantity reduced from Sept. 1976 on
92	AAM222	Switch blank	2/1		

**Telephone: 01954 230928 Fax: 01954 231923, Email: sales@mgocspares.co.uk
Buy Online at www.mgocspares.co.uk**

© 2008 MGOC Spares Ltd



Batteries can be supplied to your home or workshop, dry charged, by mail order on a next day delivery service. The acid is not included but can be ordered and dispatched at the same time.

1	D001	Battery - 6v Heavy duty	2	Chrome bumper
1	D001W	Battery - 6v Heavy duty - Wet	2	Chrome bumper, shop collection only
2	D007	Battery - 12v	1	Rubber bumper
2	D072	Battery - 12v - Wet	1	Rubber bumper, shop collection only
3	D010	Battery acid - 1 kg bottle	6	
4	D101	Battery bin - 6v	2	
4	D107	Battery bin - 12v	1	

Battery bins are durable plastic containers to protect batteries otherwise exposed to the elements under the car.

5	AHH5449	Cable - Battery to solenoid	1] GHN3, GHD3 positive earth
6	1B2802	Cable - Battery to earth	1	
7	AHA6280	Cable - Solenoid to starter motor	1	
5	AHH 8792	Cable - Battery to solenoid	1] GHN4/5, GHD4/5 negative earth
6	5L924	Cable - Battery to earth	1	
8	AHH5452	Cable - Engine earth	1	
9	BHA4348	Cable - Battery link	1	All chrome bumper cars fitted with 6v batteries
10	8G548	Cap - Insulating	A/R	
11	BCK6	Battery clamp kit - Mild steel	1] Chrome bumper cars fitted with 6v batteries
12	BCK6S	Battery clamp kit - Stainless steel	1	
13	AHH6353	Battery clamp	2	
14	AHH6750	Clamp bolt	4	
15	AHH5169	Packing - Clamp	2	
16	GHF200	Nut	8	
17	GHF300	Washer	4	
11	BCK12	Battery clamp kit - Mild steel	1] Rubber bumper cars fitted with 12v battery
12	BCK12S	Battery clamp kit - Stainless steel	1	
13	34G2065	Battery clamp	1	
14	BHH1586	Clamp bolt	2	
15	37H3743	Packing - Clamp	1	
16	GHF200	Nut	4	
17	GHF300	Washer	2	
18	AHH6351	Pad - Battery	4/2	Quantity reduced for 12v battery
19	E009	Battery - Master switch	1	Standard type
19	E001	Battery - Master switch	1	FIA type
	E001A	Switch key	1	Fits standard or FIA types
20	E008	Switch - Battery isolator - Disconnect	1	

Mounts to battery posts and cuts off power at turn of a knob. With by-pass fuse to power clock etc.

21	D019	Booster cable set - Battery	1
22	D020	Charger - Battery - 6 and 12 Volt	1
22	D022	Charger - Battery - 12 Volt only	1
23	D021	Accumate Battery Conditioner	1

The Accumate battery charger and maintainer is completely automatic, safe and simple to use. The advanced 3-stage charging programme features both constant current and constant voltage charging to completely and correctly charge a variety of battery types. It also properly maintains a battery at its correct voltage during storage and long periods of non-use without overcharging and gassing. The Accumate is reverse polarity protected and spark proof and features 5 LED indicator lights, 3 of which indicate the battery's current charge status.

This unit is outstanding for charging and maintaining batteries up to 55Ah and comes with useful ring and clip style cables that have a quick disconnect if you are only maintaining one battery. Accumate is fitted with a UK mains plug and runs with a supply of 220-240 volts only. It has a 2 year guarantee.

Telephone: 01954 230928 Fax: 01954 231923, Email: sales@mgocspares.co.uk
Buy Online at www.mgocspares.co.uk

HEATER:

HEATER UNIT

HEATER MOTOR & FAN

HEATER MATRIX

HEATER CONTROLS

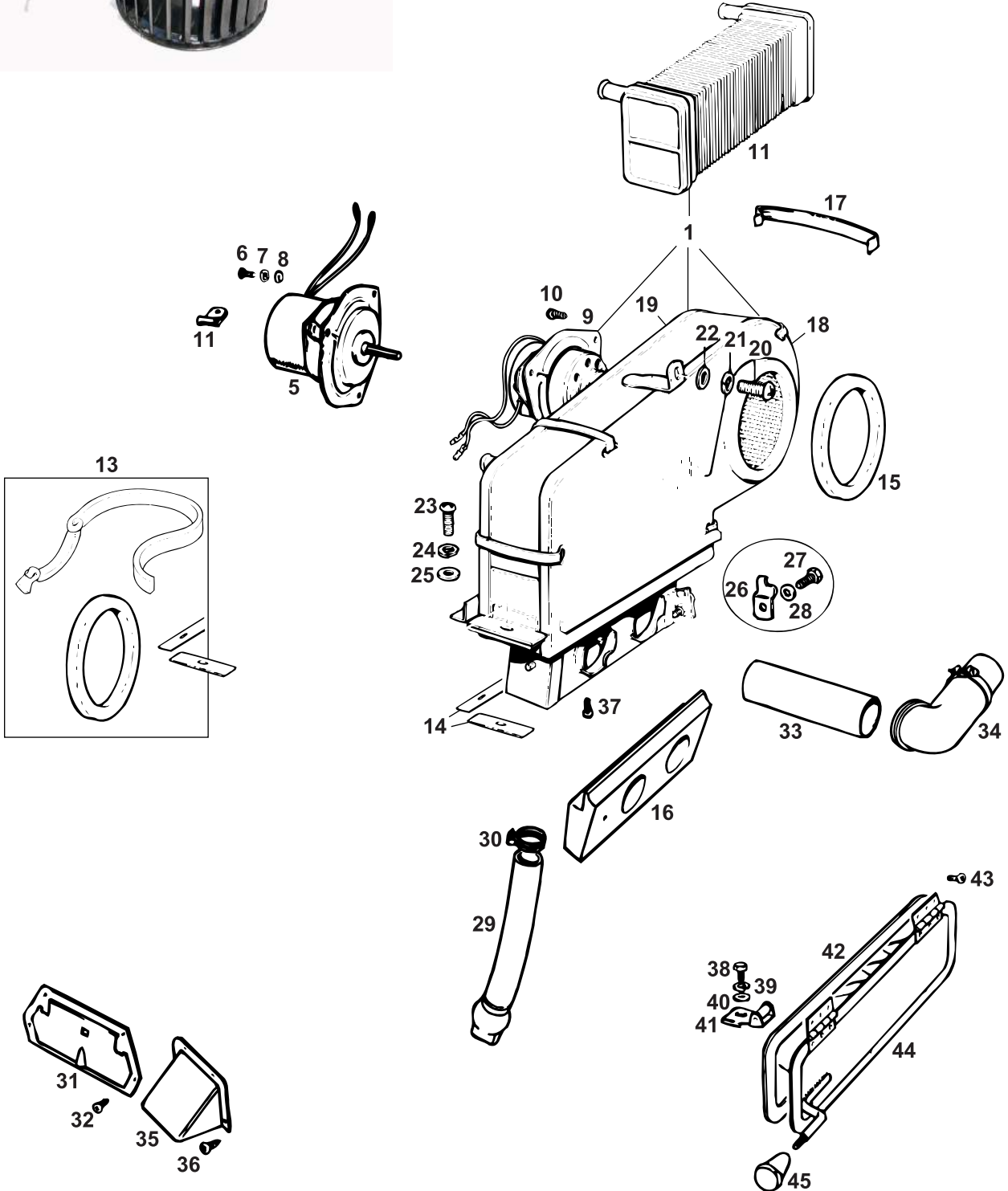
WATER VALVE

HEATER DUCTS & HOSES





MGB & GT 1800



© 2008 MGOC Spares Ltd

Telephone: 01954 230928 Fax: 01954 231923, Email: sales@mgocspares.co.uk



**MGB
& GT
1800**



1	BHH1010	Heater assembly - Single speed1	Up to Sept. 1976
1	BHH1865	Heater assembly - Two speed1	Sept. 1976 on

MG heaters are notoriously ineffective so new improved components increase the volume of warm air to the interior:

1	BHH1010HE	Heater assembly - Uprated1	Up to Sept. 1976
2	ARO1994HE	Heater matrix - Uprated1	
3	37H7913HE	Fan and motor - Single speed - Uprated	..1] Features larger fan and increased motor power
4	37H7913SE	Fan and motor - Two speed - Uprated1	

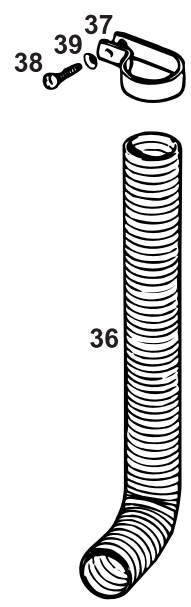
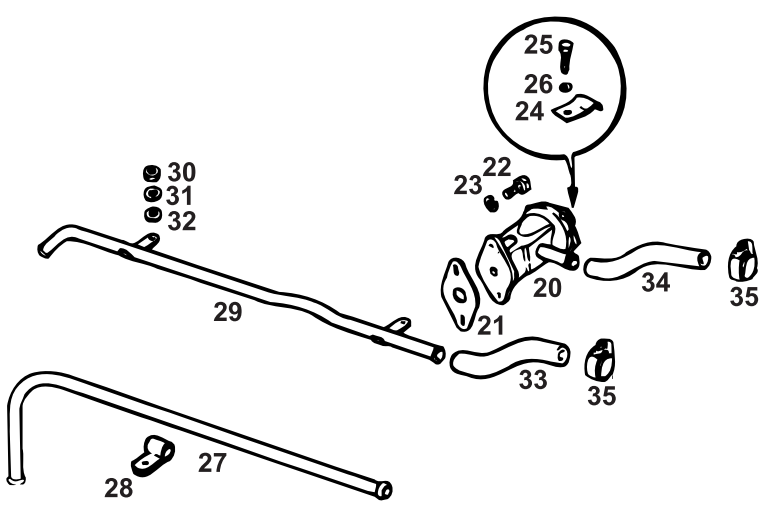
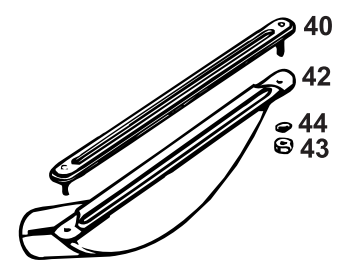
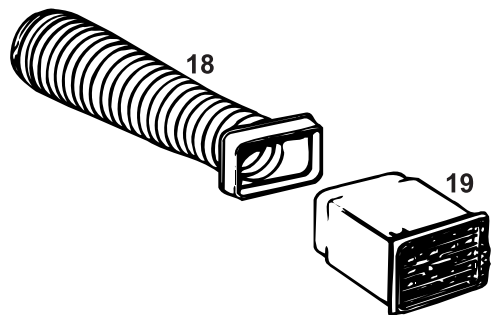
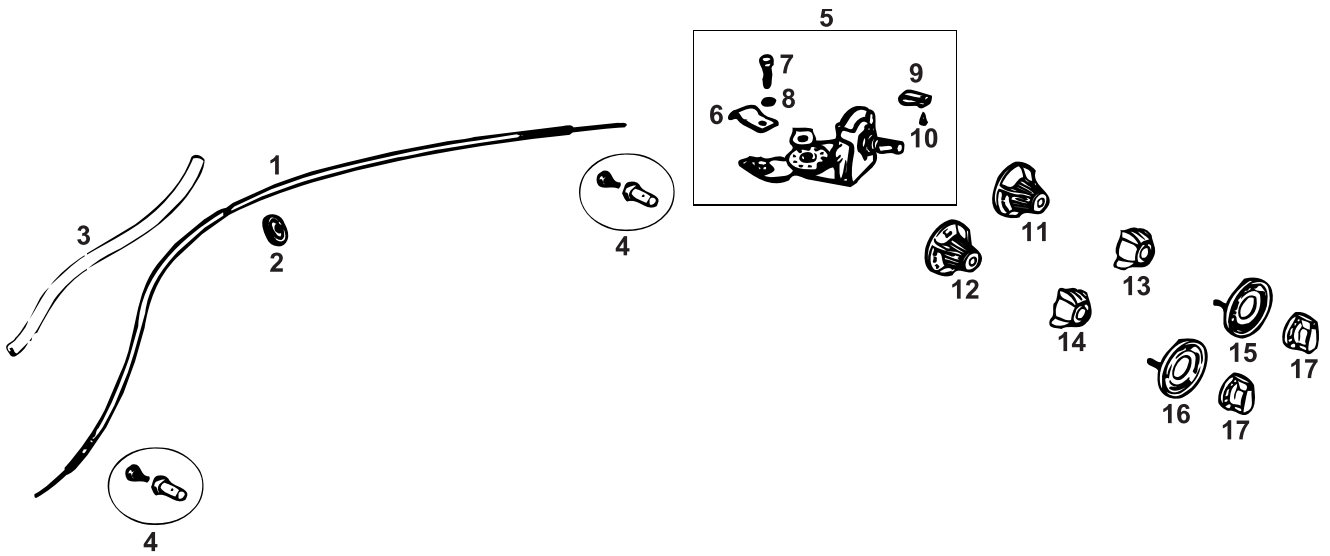
The positive earth heater motor 17H2288 may be replaced by the negative earth equivalent 37H7913, so long as the correct polarity is observed so that the motor runs in the correct direction:

5	17H2288	Heater motor1] Positive earth. GHN3, GHD3 cars
6	53K126	Screw - Motor3	
7	WL700101	Washer - Spring3	
8	PWZ203	Washer3] Negative earth. GHN4/5, GHD4/5 cars
9	37H7913	Heater motor - Single speed1	
9	37H7913HE	Heater motor - Single speed - Uprated	..1	
9	37H7913SE	Heater motor - Two speed - Uprated1	
10	AB610051	Screw - Motor3	
11	PCR411	Clip - Wiring1	
12	ARO1994	Heater matrix - Standard1	
13	HSK1	Heater box seal kit1	
14	AHH6290K	Heater to bulkhead seal kit1	
15	17H3714	Heater intake seal1	
16	BHH389	Heater cover seal1	1972 on (GHN/D5 - 258001 on)
17	17H1595	Clip - Heater case5	
18	BHH1865NFF	Heater front panel1] 1972 on style (GHN/D5 - 258001 on)
19	BHH1865Q	Heater casing1	
20	SE604051	Screw1	
21	GHF331	Washer - Spring1	
22	GHF300	Washer1	
23	PMZ310	Screw4	
24	WL700101	Washer - Spring4	
25	GHF306	Washer4	
26	27H1193	Cable clamp1	
27	53K126	Screw1	
28	WF702101	Washer - Shakeproof1	
29	AHC321	Tube - Drain1	
30	GHC709	Hose clip - Worm type1	
30	HCS709	Hose clip - Wire type1	
31	13H59	Outlet - Heater2] Up to 1972 (GHN/D3, GHN/D4, GHN/D5 to 258000)
32	AB606031	Screw8	
33	AHH6527	Tube - Demister2	
34	14G3499	Elbow - Demister2	
35	BHH391	Outlet - Heater2] 1972 on (GHN/D5 - 258001 on)
36	AB606031	Screw8	
37	AB606021	Screw - Air duct4	
38	SH604051	Screw1	
39	GHF331	Washer - Spring1	
40	GHF300	Washer1	
41	AHH6192	Catch - Fresh air vent1	
42	AHH6166	Seal - Door1	
43	AB606031	Screw4	
44	HZA3924	Door - Fresh air vent1	
45	BHH828	Knob1	

Telephone: 01954 230928 Fax: 01954 231923, Email: sales@mgocspares.co.uk
Buy Online at www.mgocspares.co.uk



MGB
& GT
1800



© 2008 MGOC Spares Ltd

Telephone: 01954 230928 Fax: 01954 231923, Email: sales@mgocspares.co.uk

Parts Availability: Certain components within the Heater section (e.g. some controls, air vents, etc.) may not be currently available but are still included in the catalogue for reference purposes, or in anticipation that they may be reintroduced in future. These items may be identified by their absence or '0' pricing within our price look up program (please visit our website for price updates). In these circumstances customers should contact our spares team for advice - we will either provide an alternative or give second hand supplier sourcing information to MGOC members.

1	BHH679	Cable - Heater control (Metal)	1	Chrome bumper
1	BHA5407	Cable - Heater control (Plastic)	1	Rubber bumper
1	BHA4337	Cable - Air control (Metal)	1] GHN3/4, GHD3/4, GHN/D5 to 303703
1	BHA5407	Cable - Air control (Plastic alternative)	1	
1	BHH1230	Cable - Air control (Plastic)	1	From GHN/D5 - 303704 on
2	RFR503	Grommet	1	
3	GRH1001M	Sleeve - Heat control cable - Per metre A/R		
4	24G1482K	Nipple assembly	4	
5	BHA4326	Rotary control - Heat	1	Chrome bumper
5	BHA5226	Rotary control - Heat	1	Rubber bumper to Sept. 1976
5	AAU1995	Rotary control - Heat	1	Rubber bumper Sept. 1976 on
5	BHA4327	Rotary control - Air	1	Chrome and rubber bumper to Sept. 1976
5	AAU1996	Rotary control - Air	1	Rubber bumper Sept. 1976 on
6	27H1193	Clamp-Cable	2	
7	53K126	Screw	2	
8	WF702101	Washer - Shakeproof	2	
9	17H1601	Clip - Knob	2	
10	17H1603	Pin - Knob	2	
11	BHA4328	Knob - Heat	1	Chrome bumper
12	BHA4329	Knob - Air (On - Screen - Interior)	1	GHN3/4, GHD3/4
12	BHH738	Knob - Air (On - Defrost - Interior)	1	Chrome bumper GHN5, GHD5 cars
13	BHH1687	Knob - Heat.	1] Rubber bumper to Sept. 1976
14	BHH1688	Knob - Air	1	
15	BHH1870	Illuminated dial - Heat	1] Sept. 1976 on
16	BHH1873	Illuminated dial - Air	1	
17	BHH1866	Knob	2] 1972 on (GHN/D5 - 258001 on)
18	BHH609	Tube - Air vent	2	
19	BHH501	Air vent - RH - Silver rim	1] 1972 to Sept. 1976
19	BHH502	Air vent - LH - Silver rim	1	
19	HZA5128	Air vent - RH-Black rim	1] Sept. 1976 on
19	HZA5129	Air vent - LH-Black rim	1	
20	BHA5298	Heater valve	1	
20	BHA5298Z	Heater valve - Reproduction	1	
21	12H3868	Gasket - Heater valve	1	
22	GHF117	Screw	2/1	Quantity 1 required up to Sept. 1976
22	SH604071	Screw - Lower	1	Up to Sept. 1976
23	GHF331	Washer - Spring	2	
24	27H1193	Clamp - Cable	1	
25	53K126	Screw	1	
26	WF702101	Washer - Shakeproof	1	
27	AHH5435	Pipe - Heater to bottom hose	1] 18G, GA, GB
28	PCR811	Clip - Pipe to inlet manifold	1	
29	AHH9498	Pipe - Heater to bottom hose	1] 18GD, GG, 18V
30	GHF201	Nut	2	
31	GHF332	Washer - Spring	2	
32	GHF301	Washer	2	
33	AHH8761	Hose - Heater to pipe	1	
34	GRH903	Hose - Heater to valve	1	
35	GHC507	Hose clip - Worm type	4	
35	HCS507	Hose clip - Wire type	4	
36	AHH8394	Hose - Demister	2	
37	AHC865	Clip - Demister hose	2	
38	AD606064	Screw	2	
39	FWP906	Washer - Cup	2	
40	AHH6190	Escutcheon - Demister - Black painted	2] Chrome bumper
41	AHH6190CP	Escutcheon - Demister - Chrome	2	
42	HZA546	Vent - Demister - RH	1] Rubber bumper
42	HZA547	Vent - Demister- LH	1	
40	AHH8566	Escutcheon - Demister - Black painted	2	
42	AHH8743	Vent - Demister- RH	1	
42	AHH8744	Vent - Demister- LH	1	
43	GHF206	Nut	4	
44	WL700101	Washer- Spring	4	

Telephone: 01954 230928 Fax: 01954 231923, Email: sales@mgocspares.co.uk

Buy Online at www.mgocspares.co.uk

BODY SHELL:

BODY SHELLS

FRONT INNER PANELS

REAR INNER PANELS

OUTER PANELS ROADSTER

OUTER PANELS GT

WINGS & DOORS

BOOT LID & TAILGATE

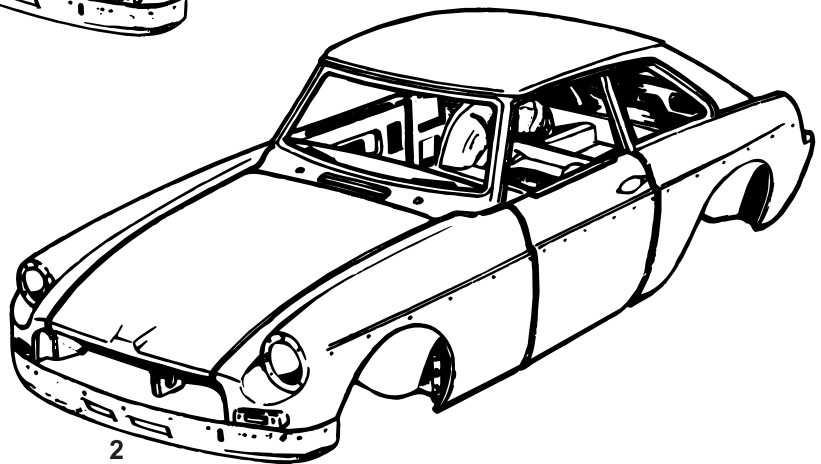
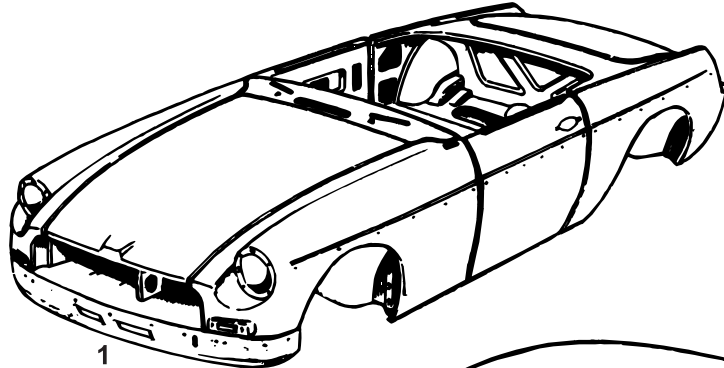
BONNETS

REPAIR PANELS





MGB
& GT
1800



© 2008 MGOC Spares Ltd

Telephone: 01954 230928 Fax: 01954 231923, Email: sales@mgocspares.co.uk

British Motor Heritage bodyshells are supplied complete with fitted front wings, valance, bonnet, doors and tailgate. Panels are pressed from double-sided zinc-coated steel (substructure panels) or single-sided zinc-coated steel (skin panels). The assembled body is electrophoretically coated and primed to current motor manufacturing standards with water-bourne primer. Occasionally the finishing specifications may be varied, for manufacturing reasons - please contact MGOC Spares before purchase to obtain details of current specifications and to discuss your shell requirements. The bodyshells listed here are RHD and LHD European specification. LHD North American specification bodies are also available - again, please contact us for details.

It is strongly advised that a 'dry run' fitting of major units and certain other items that have a history of being tricky to fit (e.g. radiator grille) is carried out before top coat paint application of the bodyshell. Also, once the bodyshell is painted, the threads of all captive nuts and studs should be cleared of paint before fitting out commences.

- | | | | | | |
|---|---------|-------------------------------|--------|---|---|
| 1 | AHH7482 | Bodyshell - Complete assembly |1 | 3 | Synchro roadster with push button door handles, 1965-67 |
| 2 | AHH7383 | Bodyshell - Complete assembly |1 | 3 | Synchro GT, 1965-67 |

Heritage can supply MGB and MGB GT bodyshells for 3 synchro gearbox and push button door handle cars. These bespoke shells require a complete and undamaged gearbox tunnel from the customer - the only item Heritage do not manufacture new.

- | | | | | | |
|---|---------|-------------------------------|--------|---|--|
| 1 | HZA4245 | Bodyshell - Complete assembly |1 | 4 | Synchro chrome bumper roadster, RHD or LHD (European), 1968-74 |
| 2 | HZA4247 | Bodyshell - Complete assembly |1 | 4 | Synchro chrome bumper GT, RHD or LHD (European), 1968-74 |
- HZA4245 and HZA4247 are appropriate for all 4 cylinder, 4 synchro chrome bumper MGBs and MGB GTs, except North American specification.

- | | | | | | |
|---|---------|-------------------------------|--------|---|---|
| 1 | HZA4891 | Bodyshell - Complete assembly |1 | 4 | Synchro rubber bumper roadster, RHD, 1975 to Sept. 1976 |
| 2 | HZA4894 | Bodyshell - Complete assembly |1 | 4 | Synchro rubber bumper GT, RHD, 1975 to Sept. 1976 |
- HZA4891 and HZA4894 are appropriate for 4 cylinder rubber bumper MGBs and MGB GTs built before September 1976 (except North American models) with mechanical radiator fan and no rear anti roll bar.

- | | | | | | |
|---|---------|-------------------------------|--------|---|---|
| 1 | HZA5237 | Bodyshell - Complete assembly |1 | 4 | Synchro rubber bumper roadster, RHD, Sept. 1976 to 1977 |
| 2 | HZA5240 | Bodyshell - Complete assembly |1 | 4 | Synchro rubber bumper GT, RHD, Sept. 1976 to 1977 |
- HZA5237 and HZA5240 are appropriate for rubber bumper MGBs and MGB GTs built between September 1976 and July 1977 (except North American models) with electric radiator fan, rear anti roll bar and single circuit brakes.

- | | | | | | |
|---|---------|-------------------------------|--------|---|--|
| 1 | HZA5545 | Bodyshell - Complete assembly |1 | 4 | Synchro rubber bumper roadster, RHD, 1977 on |
| 2 | HZA5546 | Bodyshell - Complete assembly |1 | 4 | Synchro rubber bumper GT, RHD, 1977 on |
- HZA5545 and HZA5546 are appropriate for rubber bumper MGBs and MGB GTs built after July 1977 (except North American models) with electric radiator fan, rear anti roll bar and dual circuit brakes.

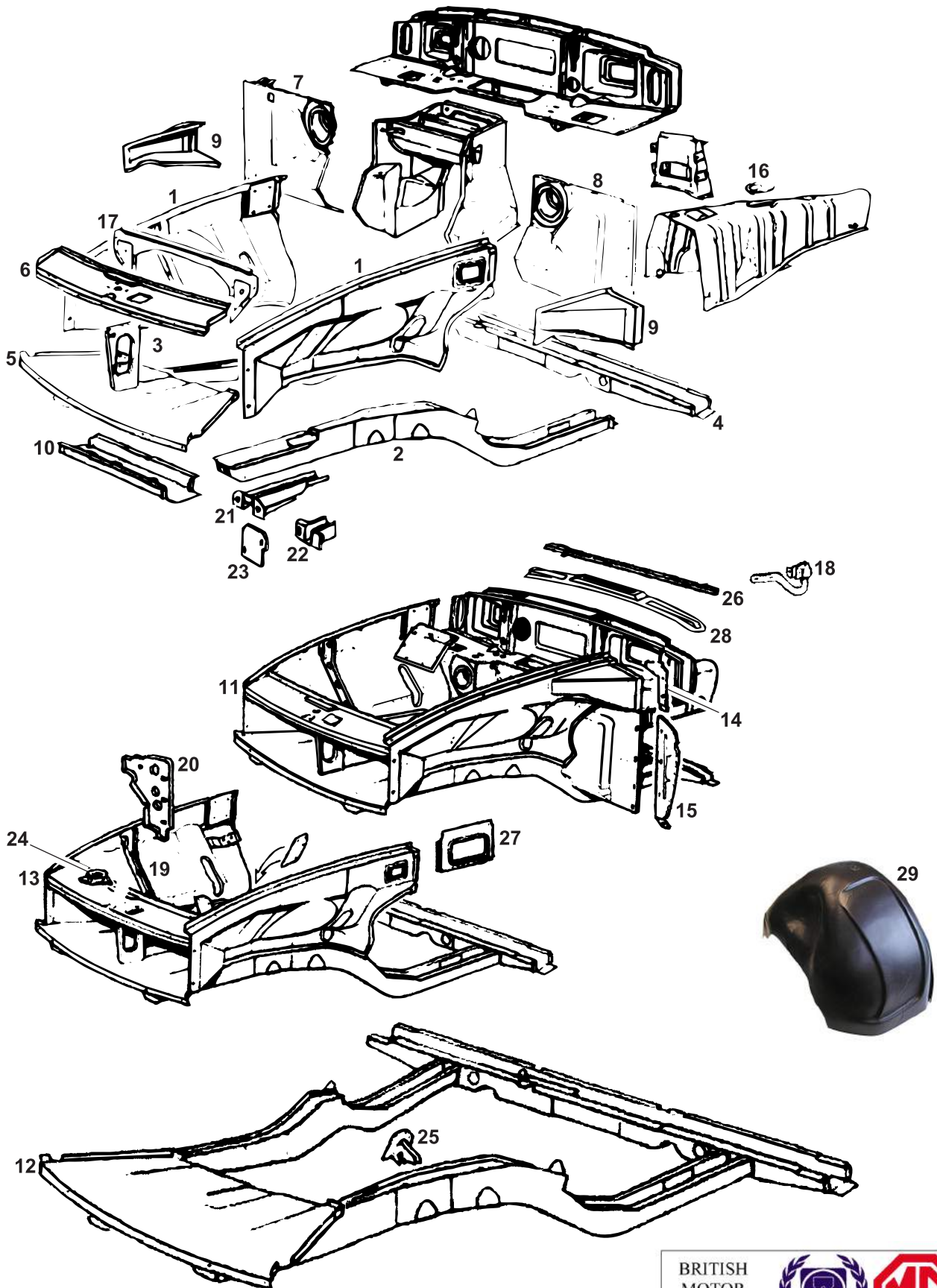
Additionally, a rubber to chrome bumper conversion roadster bodyshell is also available, featuring a rubber bumper substructure clothed in chrome bumper wings etc. Takes the guesswork out of fitting chrome bumpers and chrome bumper type lamps to your rubber bumper MGB roadster:

- | | | | | | |
|---|---------|-------------------------------|--------|---|--|
| 1 | BMH4019 | Bodyshell - Complete assembly |1 | 4 | Synchro roadster rubber bumper to chrome bumper conversion |
|---|---------|-------------------------------|--------|---|--|

**Telephone: 01954 230928 Fax: 01954 231923, Email: sales@mgocspares.co.uk
Buy Online at www.mgocspares.co.uk**



MGB
& GT
1800



© 2008 MGOC Spares Ltd



Telephone: 01954 230928 Fax: 01954 231923, Email: sales@mgocspares.co.uk



**MGB
& GT
1800**



Note: All panel work is supplied to your home or workshop within 2 to 3 days or next day delivery as required.

1	HZA4192	Wheelarch front assembly - RH	1	} Chrome bumper
1	HZA4193	Wheelarch front assembly - LH	1	
1	HZA5346	Wheelarch front assembly - RH	1	} Rubber bumper
1	HZA5347	Wheelarch front assembly - LH	1	
2	HZA438	Sidemember front assembly - RH	1	} Chrome bumper
2	HZA439	Sidemember front assembly - LH	1	
2	HZA4966	Sidemember front assembly - RH	1	} Rubber bumper
2	HZA4967	Sidemember front assembly - LH	1	
3	HZA461	Bracket reinforcing bonnet lock platform	1	Chrome bumper
3	HZA4618	Bracket reinforcing bonnet lock platform	1	Rubber bumper
4	HZA464	Crossmember - Centre - Full	1	
4	HZA464H	Crossmember - Centre - Half	1	
5	HZA465	Radiator duct assembly	1	Chrome bumper
5	HZA4851	Radiator duct assembly	1	Rubber bumper
6	HZA388	Bonnet lock platform	1	Chrome bumper
6	HZA4617	Bonnet lock platform	1	Rubber bumper
7	HZA624	Pedal box assembly - RH	1	Chrome bumper
7	HZA5335	Pedal box assembly - RH	1	Rubber bumper
8	HZA703	Pedal box assembly - LH	1	Chrome bumper
8	HZA4607	Pedal box assembly - LH	1	Rubber bumper
9	HZA168	Reinforcement - Wheel arch - RH	1	} Chrome bumper
9	HZA169	Reinforcement - Wheel arch - LH	1	
9	HZA5320	Reinforcement - Wheel arch - RH	1	} Rubber bumper
9	HZA5321	Reinforcement - Wheel arch - LH	1	
10	HZA171	Radiator duct support panel	1	Chrome bumper
10	HZA4858	Radiator duct support panel	1	Rubber bumper
11	HZA4051	Front underframe complete	1	Chrome bumper, RHD
11	HZA5537	Front underframe complete	1	Rubber bumper, RHD
12	BMH4000	Front chassis frame with crossmember	1	Chrome bumper
12	BMH4001	Front chassis frame with crossmember	1	Rubber bumper
13	BMH4002	Front chassis frame with wheel arches	1	Chrome bumper
13	BMH4003	Front chassis frame with wheel arches	1	Rubber bumper
14	HZA302	Splash shield flange - RH	1	
14	HZA303	Splash shield flange - LH	1	
15	MB19R	Splash plate - RH - Painted	1	
15	MB19L	Splash plate - LH - Painted	1	
15	MB19SL	Splash plate - LH - Stainless steel	1	
15	MB19SR	Splash plate - RH - stainless steel	1	
16	HZA1431	Gearbox remote control cover	1	4 synchro cars
17	HZA2327	Radiator diaphragm assembly	1	Up to Sept. 1976 (mechanical cooling fan)
18	HZA364	Bonnet hinge	2	
19	HZA466	Radiator mounting bracket - RH	1	} Up to Sept. 1976 (mechanical cooling fan)
19	HZA467	Radiator mounting bracket - LH	1	
20	HZA4514	Radiator mounting bracket - RH	1	} Sept. 1976 on (electric cooling fan)
20	HZA4515	Radiator mounting bracket - LH	1	
21	HZA4866	Mounting bumper - Upper - RH	1	} Rubber bumper
21	HZA4867	Mounting bumper - Upper - LH	1	
22	HZA4818	Mounting bumper - Lower - RH	1	
22	HZA4819	Mounting bumper - Lower - LH	1	
23	HZA4814	Mounting bumper - End plate Mtg	2	
24	AHA5543	Cup locating bonnet	1	
25	HZA392	Engine mounting bracket - RH	1	} Chrome bumper
25	HZA393	Engine mounting bracket - LH	1	
25	HZA4504	Engine mounting bracket - LH	1	} Rubber bumper
25	HZA4505	Engine mounting bracket - LH	1	
26	HZA1446	Tube stiffener - A post assembly	1	Chrome bumper
26	HZA4868	Tube stiffener - A post assembly	1	Rubber bumper
27	HZA158	Wheel arch extension to bulkhead - RH	1	
27	HZA159	Wheel arch extension to bulkhead - LH	1	
28	HZA162	Reinforcement - Front shroud	1	
29	F310	Front wheel arch undershields - Pair	1	

This pair of protective shields fit neatly under MGB front wings, guarding against damage to your immaculate new panelwork from stone chips and road salt.

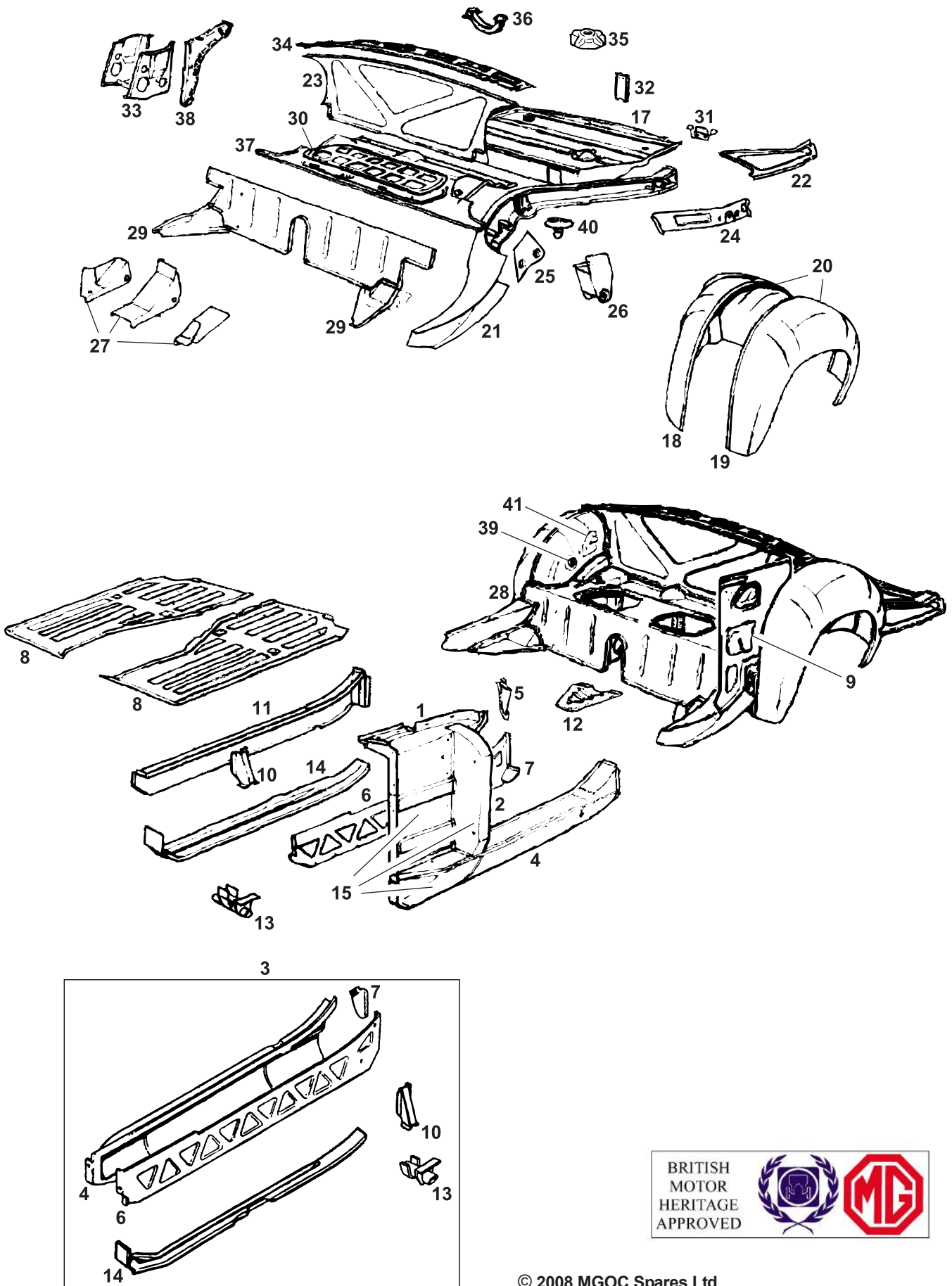
Note: It is advised that before preparation and painting of body panels that you ensure that parts received are correct for year and model of vehicle. Particular attention must be paid to whether the parts are either right hand or left hand, roadster or GT, rubber bumper or chrome bumper.

Telephone: 01954 230928 Fax: 01954 231923, Email: sales@mgocspares.co.uk

Buy Online at www.mgocspares.co.uk



MGB
& GT
1800



© 2008 MGOC Spares Ltd

Telephone: 01954 230928 Fax: 01954 231923, Email: sales@mgocspares.co.uk

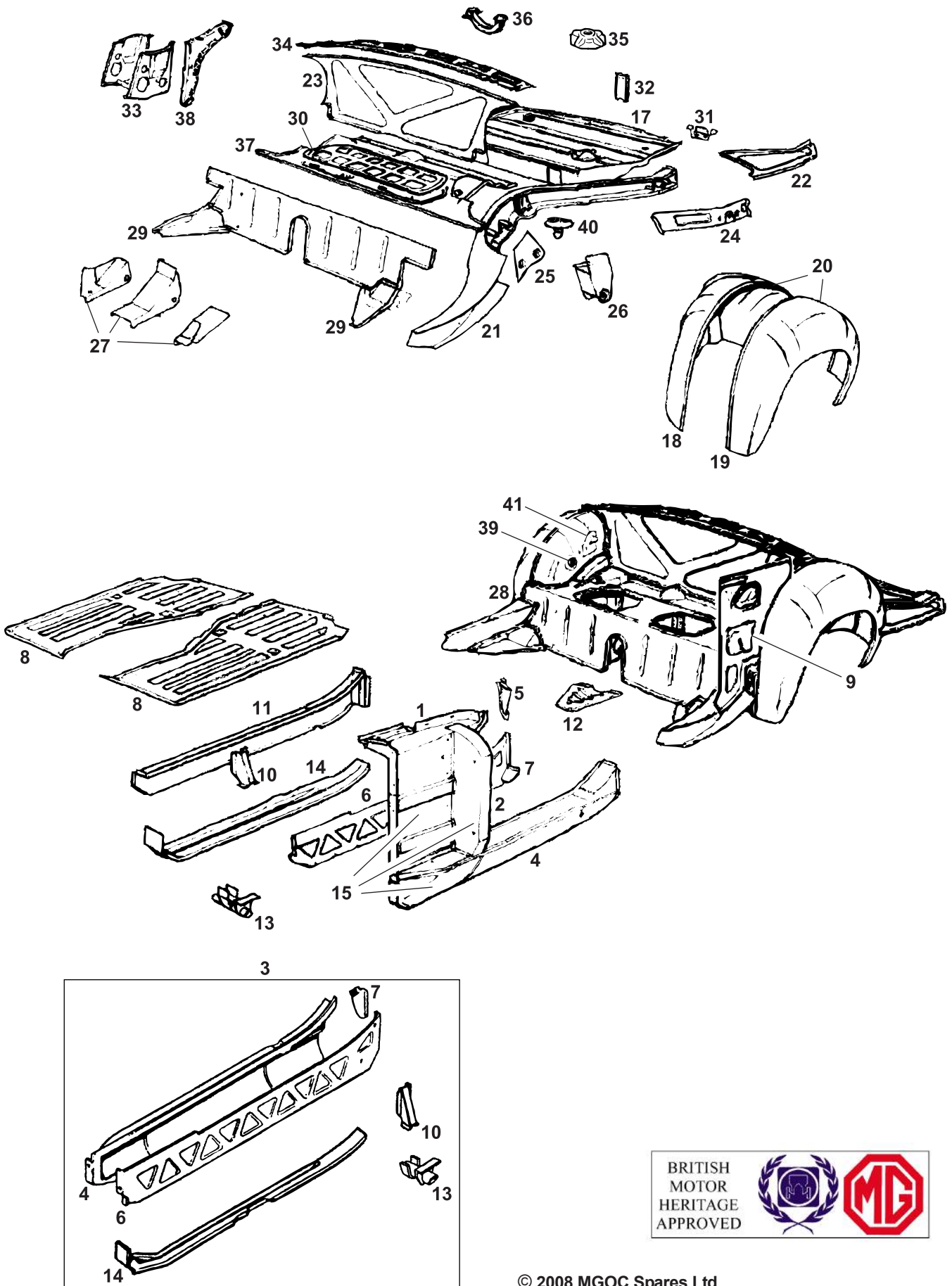


Note: All panel work is supplied to your home or workshop within 2 to 3 days or next day delivery as required. It is advised that before preparation and painting of body panels that you ensure that parts received are correct for year and model of vehicle. Particular attention must be paid to whether the parts are either right hand or left hand, roadster or GT, rubber bumper or chrome bumper.

1	HZA403	Dash side assembly - RH	1	
1	HZA404	Dash side assembly - LH	1	
2	HZA442	A post assembly - RH	1	} Chrome bumper
2	HZA443	A post assembly - LH	1	
2	HZA5212	A post assembly - RH	1	} Rubber bumper
2	HZA5213	A post assembly - LH	1	
3	MBS6R	Sill kit - Six piece - Repro panels - RH	1	
3	MBS6L	Sill kit - Six piece - Repro panels - LH	1	
4	HZA496	Sill outer assembly - RH	1	
4	HZA497	Sill outer assembly - LH	1	
5	BMH9508	A post windscreen leg cover - RH	1	
5	BMH9509	A post windscreen leg cover - LH	1	
6	HZA188	Sill closing panel - RH	1	
6	HZA189	Sill closing panel - LH	1	
7	HZA260	Filler piece rear sill - RH	1	
7	HZA261	Filler piece rear sill - LH	1	
8	HZA628	Main floor assembly - RH	1	} 4 Synchro
8	HZA629	Main floor assembly - LH	1	
9	HZA586	Rear quarter inner assembly - RH	1	
9	HZA587	Rear quarter inner assembly - LH	1	
10	HZA231	Reinforcement - Jacking - Side member	2	
11	HZA236	Sidemember inner - RH	1	
11	HZA237	Sidemember inner - LH	1	
12	HZA283	Plate brace heelboard	1	Chrome bumper
12	HZA5019	Plate brace heelboard	1	Rubber bumper
13	HZA492	Jack mounting assembly	2	
14	HZA238	Sidemember bottom - RH	1	
14	HZA239	Sidemember bottom - LH	1	
15	HZA688	Sill dash side & A post ass'y - RH	1	} Chrome bumper
15	HZA689	Sill dash side & A post ass'y - LH	1	
15	HZA5216	Sill dash side & A post ass'y - RH	1	} Rubber bumper
15	HZA5217	Sill dash side & A post ass'y - LH	1	
16	HZA488	Rear heelboard assembly	1	
17	HZA535	Trunk floor assembly	1	Chrome bumper
17	HZA5529	Trunk floor assembly	1	Rubber bumper
18	HZA4118	Wheel arch rear inner assembly - RH	1	
18	HZA4119	Wheel arch rear inner assembly - LH	1	
19	HZA138	Wheel arch rear outer - RH	1	
19	HZA615	Wheel arch rear outer - LH	1	
20	BMH9000	Wheel arch complete assembly - RH	1	
20	BMH9001	Wheel arch complete assembly - LH	1	
21	HZA3974	Rear side member assembly - RH	1	} Chrome bumper
21	HZA3975	Rear side member assembly - LH	1	
21	HZA4924	Rear side member assembly - RH	1	} Rubber bumper
21	HZA4925	Rear side member assembly - LH	1	
22	HZA160	Trunk floor outer - RH	1	
22	HZA161	Trunk floor outer - LH	1	
23	HZA167	Bulkhead rear	1	
24	HZA272	Closing panel rear side member - RH	1	} Chrome bumper
24	HZA273	Closing panel rear side member - LH	1	
24	HZA4908	Closing panel rear side member - RH	1	} Rubber bumper
24	HZA4909	Closing panel rear side member - LH	1	
25	HZA276	Plate mounting damper - RH	1	
25	HZA277	Plate mounting damper - LH	1	
26	HZA286	Rebound strap bracket - RH	1	} Chrome bumper
26	HZA287	Rebound strap bracket - LH	1	
26	HZA4960	Rebound strap bracket - RH	1	} Rubber bumper
26	HZA4961	Rebound strap bracket - LH	1	
27	BMH9002	Front rear spring mounting assy - RH	1	} Chrome bumper
27	BMH9003	Front rear spring mounting assy - LH	1	
27	BMH9004	Front rear spring mounting assy - RH	1	} Rubber bumper
27	BMH9005	Front rear spring mounting assy - LH	1	
28	HZA3971	Rear underframe complete	1	Chrome bumper
28	HZA5268	Rear underframe complete	1	Rubber bumper
29	HZA268	Heelboard extension - RH	1	
29	HZA269	Heelboard extension - LH	1	
30	AHH6716	Battery cover assy - 2 x 6 volt batteries	1	Chrome bumper
30	HZA4935	Battery cover assy - 1 x 12 volt battery	1	Rubber bumper
31	HZA479	Rear exhaust mounting bracket	1	
32	HZA470	Rear boot lid striker reinforcement	1	
33	BMH9507	Battery box assy - 2 x 6 volt batteries	1	Chrome bumper
33	BMH9511	Battery box assy - 1 x 12 volt battery	1	Rubber bumper
34	HZA3515	Rear deck reinforcement	1	
35	AHA5741	Spare wheel mounting boss	1	
36	AHA6314	Boot lid hinge - RH	1	
36	AHA6315	Boot lid hinge - LH	1	



MGB
& GT
1800



© 2008 MGOC Spares Ltd

Telephone: 01954 230928 Fax: 01954 231923, Email: sales@mgocspares.co.uk



**MGB
& GT
1800**

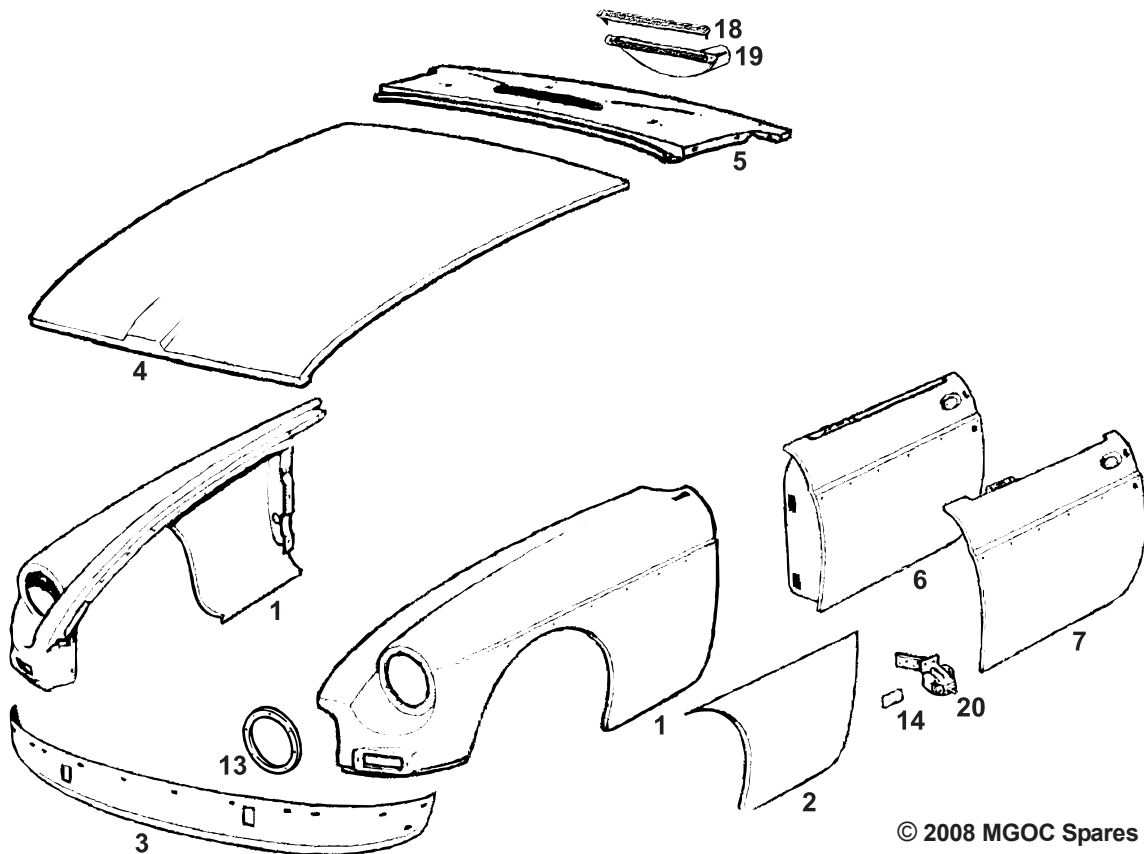
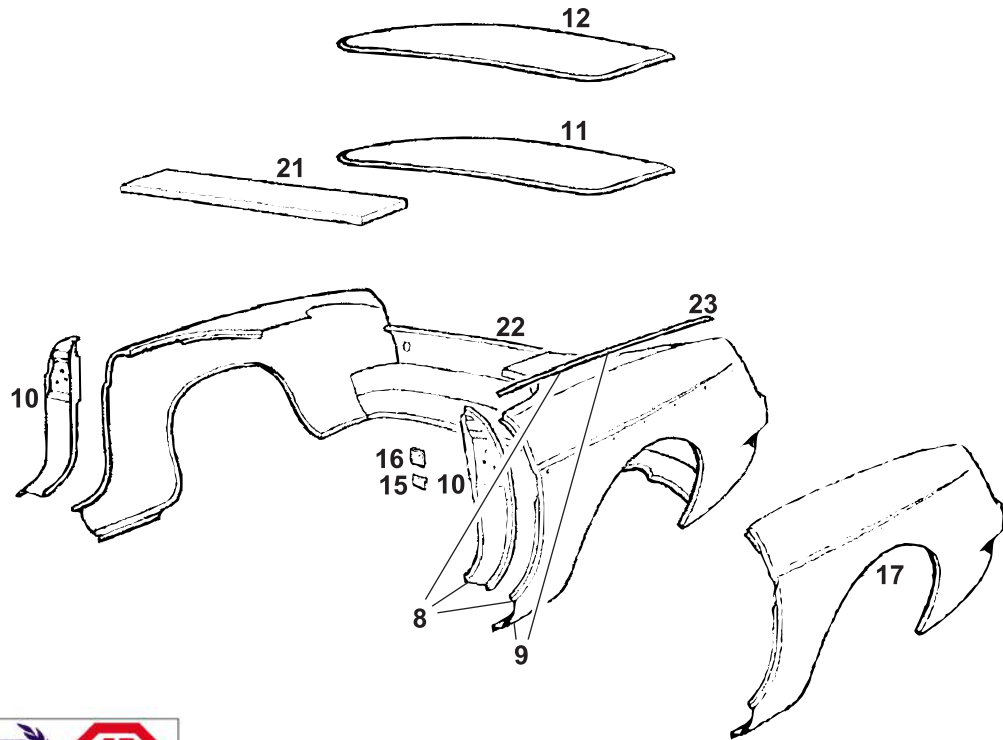


37	HZA115	Battery shelf panel - 2 x 6 volt batteries1	Chrome bumper
38	HZA4914	Strengthener heelboard - 1 x 12 volt1	Rubber bumper
39	HZA3931	Mounting boss assembly - Seat belt2	
40	HZA4101	Retainer assembly bump stop2	
41	BMH9512	Assembly seat belt mounting - RH1	
41	BMH9513	Assembly seat belt mounting - LH1	

**Telephone: 01954 230928 Fax: 01954 231923, Email: sales@mgocspares.co.uk
Buy Online at www.mgocspares.co.uk**



MGB
& GT
1800



© 2008 MGOC Spares Ltd

Telephone: 01954 230928 Fax: 01954 231923, Email: sales@mgocspares.co.uk

Roadster Panels

All panel work is supplied to your home or workshop within 2 to 3 days or next day delivery as required. It is advised that before preparation and painting of body panels that you ensure that parts received are correct for year and model of vehicle. Particular attention must be paid to whether the parts are either right hand or left hand, roadster or GT, rubber bumper or chrome bumper.

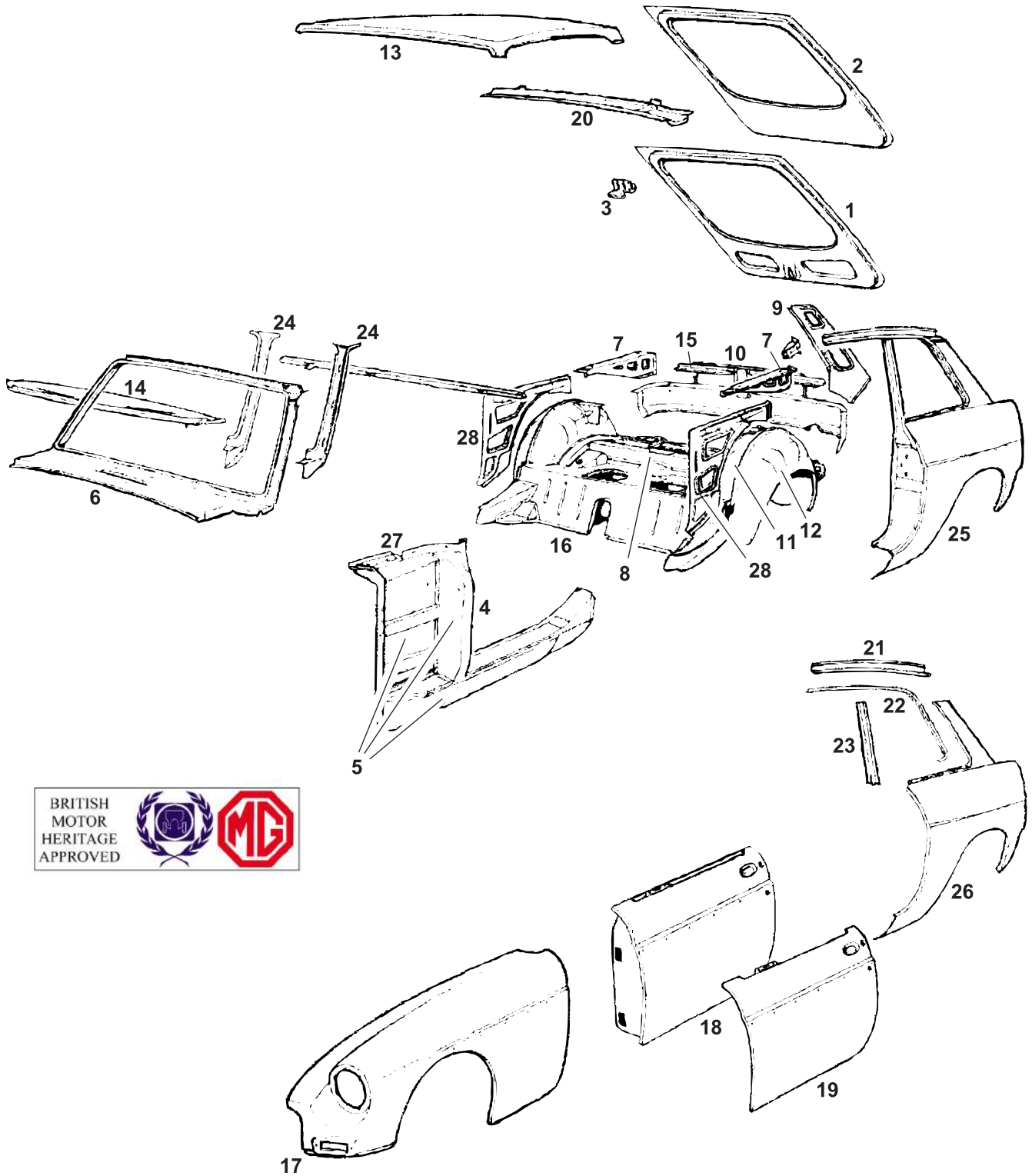
1	HZA409	Front wing assembly - RH	1] Chrome bumper, wide sidelight spacing, up to 1968
1	HZA410	Front wing assembly - LH	1	
1	HZA3842	Front wing assembly - RH	1] Chrome bumper, narrow sidelight spacing, 1968-74
1	HZA3843	Front wing assembly - LH	1	
1	HZA4832	Front wing assembly - RH	1] Rubber bumper
1	HZA4833	Front wing assembly - LH	1	
2	MB15R	Front wing lower repair - RH	1	
2	MB15L	Front wing lower repair - LH	1	
3	HZA132	Front valance (no vent holes)	1	Chrome bumper, 1962-72
3	HZA592	Front valance (2 vent holes)	1	Chrome bumper, 1973-74
3	HZA4812	Front valance	1	Rubber bumper
4	HZA401	Bonnet - Aluminium	1	1962-69
4	HZA4014	Bonnet - Steel	1	1969 on
5	HZA672	Shroud complete assembly	1	Chrome bumper RHD
5	HZA4932	Shroud complete assembly	1	Rubber bumper RHD
6	HZA5508	Door assembly - RH	1] 1968 on, 4 synchro (push button exterior handles, pull out interior handles)
6	HZA5509	Door assembly - LH	1	
7	HZA566	Door skin - RH	1] 1965 on (push button door handles)
7	HZA567	Door skin - LH	1	
8	HZA4218	Rear wing complete assy - RH	1] Chrome bumper
8	HZA4219	Rear wing complete assy - LH	1	
8	HZA4900	Rear wing complete assy - RH	1] Rubber bumper
8	HZA4901	Rear wing complete assy - LH	1	
9	HZA4224	Rear wing (no B post) - RH	1] Chrome bumper
9	HZA4225	Rear wing (no B post) - LH	1	
9	HZA5000	Rear wing (no B post) - RH	1] Rubber bumper
9	HZA5001	Rear wing (no B post) - LH	1	
10	HZA582	B Post assembly - RH	1] 1965 on (push button door handles)
10	HZA583	B Post assembly - LH	1	
11	HZA5511	Boot lid assembly	1	
12	HZA117	Boot lid skin	1	
13	HZA484	Head lamp mounting assembly	2	
14	HZA350	Tap plate - Door hinge	4	
15	HZA368	Tap plate - Door striker - Early	1	
16	ZKC5624	Tap plate - Door striker - Late	1	
17	HZA578	Rear wing repair - RH	1] Without moulding or rear lamp panel
17	HZA579	Rear wing repair - LH	1	
18	AHH8566	Escutcheon demister	2	
19	AHH8743	Demister nozzle - RH	1	
19	AHH8744	Demister nozzle - LH	1	
20	BMH9502	Door hinge - RH	2/1] Quantity reduced from Sept. 1976 on
20	BMH9503	Door hinge - LH	2/1	
20	BMH9504	Door hinge with check spring - RH	1] Sept. 1976 on
20	BMH9505	Door hinge with check spring - LH	1	
21	HZA4212	Rear decking	1	
22	HZA4217	Body rear lower assembly	1	Chrome bumper
22	HZA4850	Body rear lower assembly	1	Rubber bumper
23	HZA352	Rear wing moulding	2	

Telephone: 01954 230928 Fax: 01954 231923, Email: sales@mgocspares.co.uk

Buy Online at www.mgocspares.co.uk



MGB
& GT
1800



© 2008 MGOC Spares Ltd

Telephone: 01954 230928 Fax: 01954 231923, Email: sales@mgocspares.co.uk

GT Unique Panels

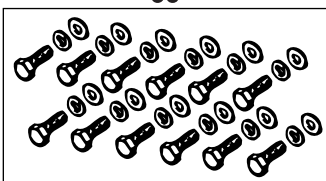
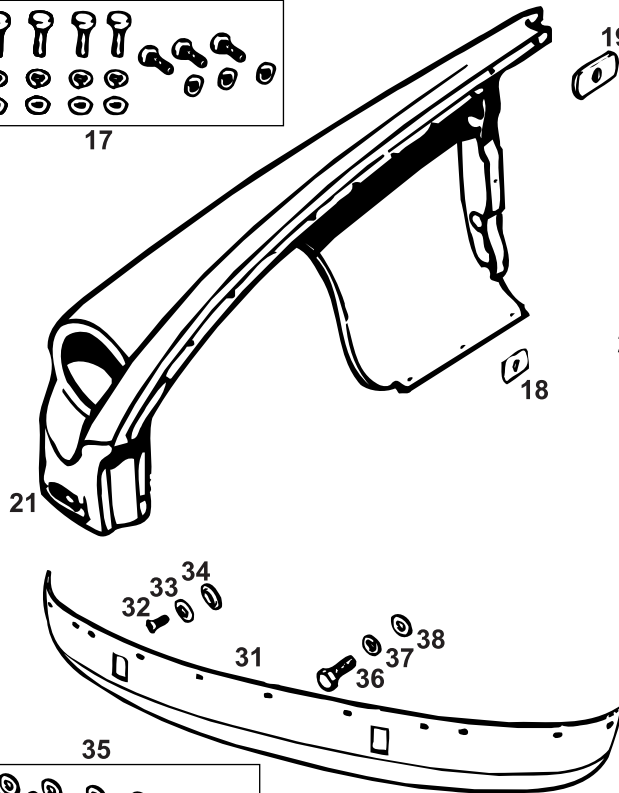
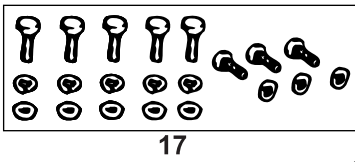
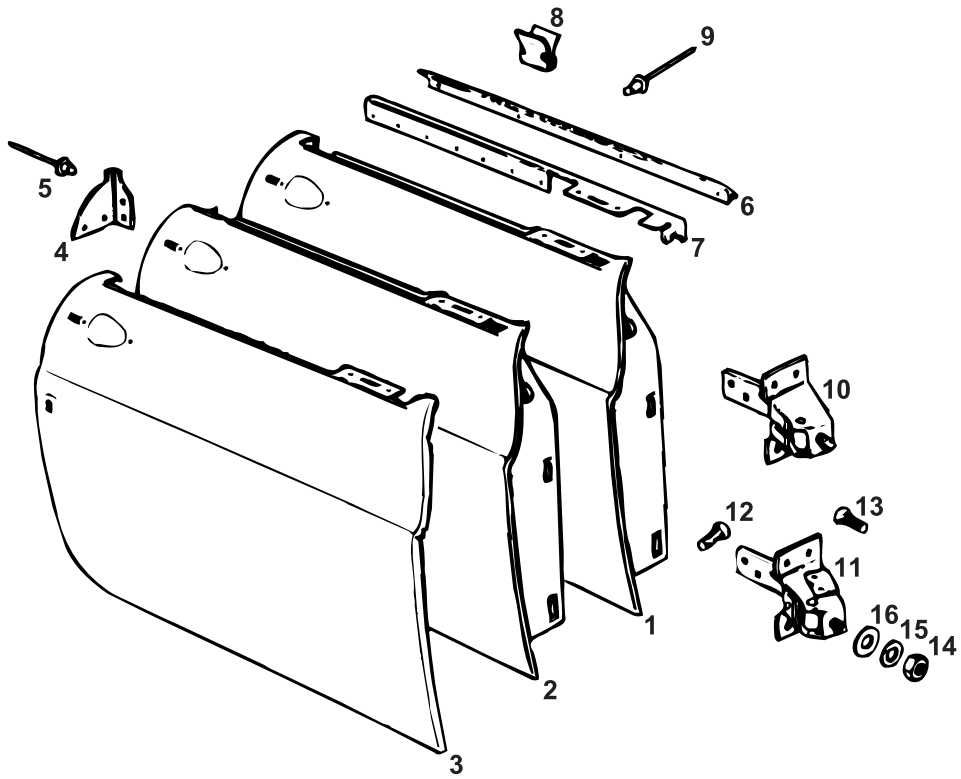
All panel work is supplied to your home or workshop within 2 to 3 days or next day delivery as required. It is advised that before preparation and painting of body panels that you ensure that parts received are correct for year and model of vehicle. Particular attention must be paid to whether the parts are either right hand or left hand, roadster or GT, rubber bumper or chrome bumper.

1	HZA3994	Tailgate complete	1	
2	HZA2003	Tailgate skin	1	
3	HZA2100	Tailgate hinge - RH	1	
3	HZA2101	Tailgate hinge - LH	1	
4	HZA2136	A post assembly - RH	1	
4	HZA2137	A post assembly - LH	1	
5	HZA3996	Sill/dash side & A post - RH	1	
5	HZA3997	Sill/dash side & A post - LH	1	
6	HZA2163	Windscreen ass'y	1	Up to 1977 (single washer jet hole)
6	HZA5553	Windscreen ass'y	1	1977 on (two washer jet holes)
7	HZA2034	Support boot floor side - RH	1	
7	HZA2035	Support boot floor side - LH	1	
8	HZA2154	Support boot floor front	1	
9	HZA2038	Rear quarter inner assembly - RH	1	
9	HZA2039	Rear quarter inner assembly - LH	1	
10	HZA4227	Body rear lower assembly	1	Chrome bumper
10	HZA4849	Body rear lower assembly	1	Rubber bumper
11	HZA2232	Rear wheel arch inner ass'y - RH	1	
11	HZA2233	Rear wheel arch inner ass'y - LH	1	
12	BMH9006	Rear wheel arch complete ass'y - RH	1	
12	BMH9007	Rear wheel arch complete ass'y - LH	1	
13	HZA2000	Roof panel	1	
14	HZA4009	Dash top assembly	1	Chrome bumper
14	HZA4933	Dash top assembly	1	Rubber bumper
15	HZA2060	Support boot floor rear - RH	1	
15	HZA2061	Support boot floor rear - LH	1	
16	HZA3979	Rear end underframe complete	1	Chrome bumper
16	HZA5267	Rear end underframe complete	1	Rubber bumper
17	HZA2124	Front wing - RH	1] Chrome bumper, wide sidelight spacing, up to 1968
17	HZA2125	Front wing - LH	1	
17	HZA3846	Front wing - RH	1] Chrome bumper, narrow sidelight spacing, 1968-74
17	HZA3847	Front wing - LH	1	
17	HZA4836	Front wing - RH	1] Rubber bumper
17	HZA4837	Front wing - LH	1	
18	HZA5514	Door assembly - RH	1] 1968 on, 4 synchro (push button exterior handles, pull out interior handles)
18	HZA5515	Door assembly - LH	1	
19	HZA566	Door skin - RH	1] Roadster panel - small modification required to use on GT
19	HZA567	Door skin - LH	1	
20	HZA3917	Closing panel rear roof	1	
21	HZA2020	Cantrail - RH	1	
21	HZA2021	Cantrail - LH	1	
22	HZA2132	Drip rail - RH	1	
22	HZA2133	Drip rail - LH	1	
23	HZA4108	B post upper panel - RH	1	
23	HZA4109	B post upper panel - LH	1	
24	HZA2030	A post closing - RH	1	
24	HZA2031	A post closing - LH	1	
25	HZA4222	Rear wing complete ass'y - RH	1] Chrome bumper
25	HZA4223	Rear wing complete ass'y - LH	1	
25	BMH9016	Rear wing complete ass'y - RH	1] Rubber bumper
25	BMH9017	Rear wing complete ass'y - LH	1	
26	BMH9012	Rear wing (no B post) - RH	1] Chrome bumper
26	BMH9013	Rear wing (no B post) - LH	1	
26	HZA4904	Rear wing (no B post) - RH	1] Rubber bumper
26	HZA4905	Rear wing (no B post) - LH	1	
27	HZA2146	Dash side ass'y - RH	1	
27	HZA2147	Dash side ass'y - LH	1	
28	HZA2240	Rear quarter inner ass'y - RH	1	
28	HZA2241	Rear quarter inner ass'y - LH	1	
28	HZA2036	Rear quarter inner - RH	1	
28	HZA2037	Rear quarter inner - LH	1	

**Telephone: 01954 230928 Fax: 01954 231923, Email: sales@mgocspares.co.uk
Buy Online at www.mgocspares.co.uk**



MGB
& GT
1800



© 2008 MGOC Spares Ltd

Telephone: 01954 230928 Fax: 01954 231923, Email: sales@mgocspares.co.uk



**MGB
& GT
1800**



1	HZA5508	Door - RH - Roadster	1	}	1968 on, 4 synchro (push button exterior handles, pull out interior handles)
1	HZA5509	Door - LH - Roadster	1		
2	HZA5514	Door - RH - GT	1	}	1965 on (push button door handles). Small mod required to use on GT
2	HZA5515	Door - LH - GT	1		
3	HZA566	Door skin - RH - Roadster	1		
3	HZA567	Door skin - LH - Roadster	1		
3	MB33R	Door skin - RH - Roadster - Repro	1		
3	MB33L	Door skin - LH - Roadster - Repro	1		

The door skins can be modified around door handle and lock to fit early 'pull handle' roadster doors.

4	AHH7834	Finisher - Door shut - RH	1	}	GT
4	AHH7835	Finisher - Door shut - LH	1		
5	GHF600	Pop rivet	6	}	Roadster (seal to door); GT (finisher to door)
6	AHH6348	Drop glass seal - Outer - RH	1		
6	AHH6349	Drop glass seal - Outer - LH	1		
7	AHH7476	Finisher - Door waist - RH	1		
7	AHH7477	Finisher - Door waist - LH	1		
8	GHF1560	Clip - Drop glass seal to finisher	14		
9	GHF600	Pop rivet - Seal/finisher to door	14		
10	HZA5208	Hinge - RH	2/1		
10	HZA5209	Hinge - LH	2/1		
11	HZA5206	Hinge - 'Click stop' - RH	1		
11	HZA5207	Hinge - 'Click stop' - LH	1		
12	SF605081	Screw - Hinge to door	12	}	Quantity reduced Sept. 1976 on
13	SF605061	Screw - Hinge to body	16		
14	GHF203	Nut	4		
15	GHF334	Washer - Spring	4		
16	PWZ207	Washer	4		
17	WFK910	Front wing fitting kit	2		

The screws in the kit fixing the wing to the front valance are hex headed type as used on chrome bumper cars. The later countersunk fixings as used on rubber bumper cars may be ordered separately (see bottom of page).

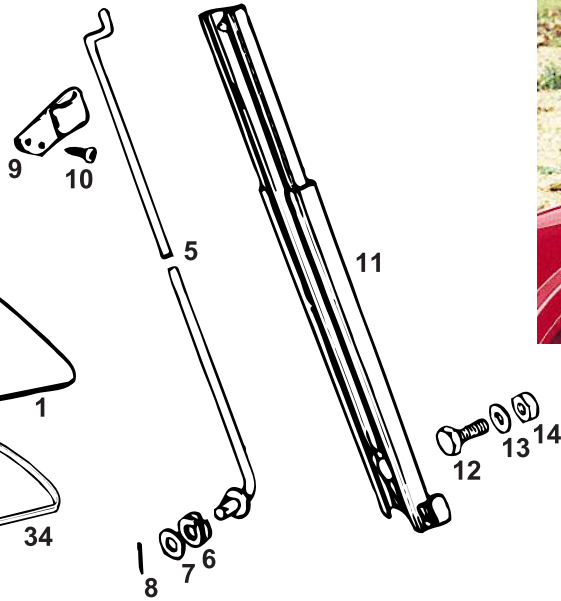
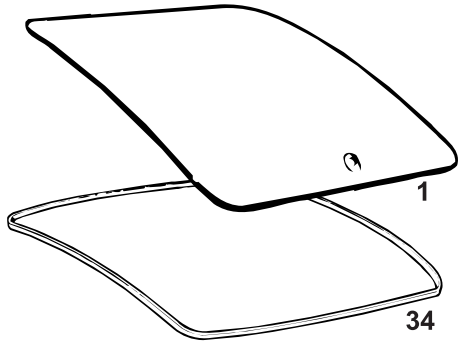
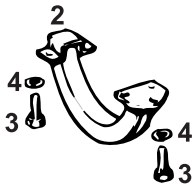
18	AFH2546	Washer - Oblong - Small	2	}	GT
19	AFH2627	Washer - Oblong - Large	2		
20	AHH8094	Plate - Wing edge clamping	2		
21	HZA409	Front wing - RH	1		
21	HZA410	Front wing - LH	1		
21	HZA3842	Front wing - RH	1		
21	HZA3843	Front wing - LH	1		
21	HZA4832	Front wing - RH	1		
21	HZA4833	Front wing - LH	1		
21	HZA2124	Front wing - RH	1		
21	HZA2125	Front wing - LH	1		
21	HZA3846	Front wing - RH	1		
21	HZA3847	Front wing - LH	1		
21	HZA4836	Front wing - RH	1		
21	HZA4837	Front wing - LH	1		
22	H915	Front wing - Fibreglass - LH	1		
22	H916	Front wing - Fibreglass - RH	1		
22	H917	Front wing - Fibreglass - LH	1		
22	H918	Front wing - Fibreglass - RH	1		
23	HZA4304P	Splash plate - RH - Painted	1	}	Roadster
23	HZA4305P	Splash plate - LH - Painted	1		
23	MB19R	Splash plate - Reproduction - RH	1	}	GT; rubber bumper
23	MB19L	Splash plate - Reproduction - LH	1		
24	MB19SR	Splash plate - Stainless steel - RH	1		
24	MB19SL	Splash plate - Stainless steel - LH	1		
25	BHH626	Seal - Splash plate	2	}	GT; GHD3/4 to 158230. 1 3/4" gap between sidelamp and grille GT; GHD4-158231 to finish of chrome bumper. 1/2" gap between sidelamp and grille
26	MBK109	Fitting kit - Splash plate	2		
27	SH604051	Screw	12		
28	SE604051	Screw	2		
29	GHF331	Washer - Spring	14		
30	PWZ204	Washer	14		
31	HZA132	Front valance (no vent holes)	1		
31	MB10	Front valance (no vent holes) - Repro	1		
31	HZA592	Front valance (two vent holes)	1		
31	MB11	Front valance (two vent holes) - Repro	1		
31	HZA4812	Front valance	1	}	Chrome bumper, 1962-72
31	MB12	Front valance - Repro	1		
32	SH604041	Screw - Hex head	12	}	Chrome bumper, 1973-74
33	GHF331	Washer - Spring	12		
34	PWZ204	Washer	12		
35	MBK108	Valance fitting kit	1		
36	SF604061	Screw - Countersunk head	8	}	Rubber bumper
37	BHA4566	Washer - Shakeproof	8		
38	ACA5374	Washer - Cup	8		

The valance fitting kit contains the extra valance to radiator duct fixings that are not included in the wing fitting kit. If wing fitting kits are not being used, order 2 off MBK107 which will then allow sufficient screws and washers to do the complete job.

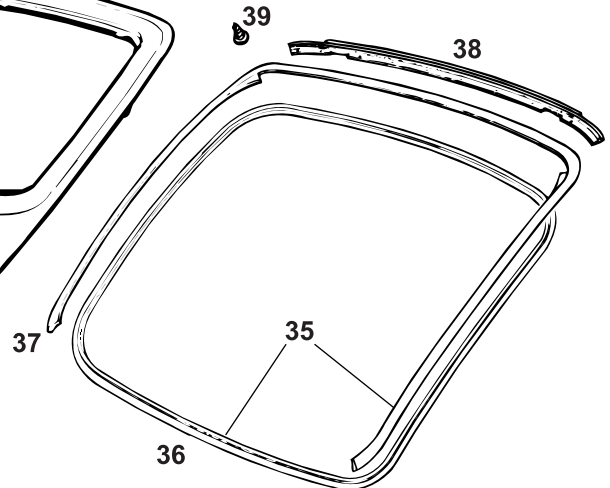
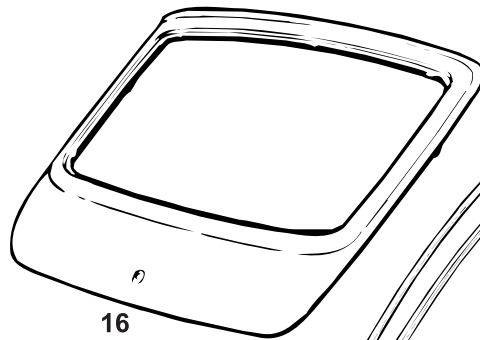
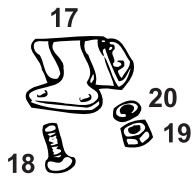
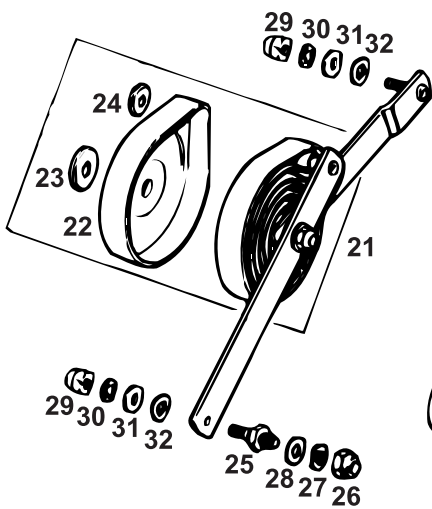
36	SF604061	Screw - Countersunk head	8	}	Rubber bumper cars. Some late model chrome bumper cars also use these fixings. If this type are chosen again 12 of each will be required
37	BHA4566	Washer - Shakeproof	8		
38	ACA5374	Washer - Cup	8		



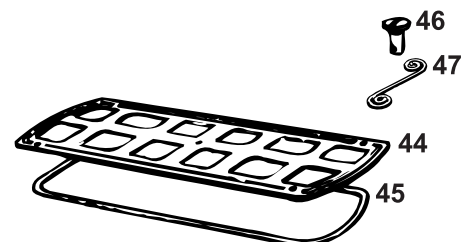
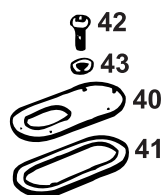
MGB
& GT
1800



15



33



© 2008 MGOC Spares Ltd

Telephone: 01954 230928 Fax: 01954 231923, Email: sales@mgocspares.co.uk

1 HZA5511 Boot lid 1 Roadster; later type using seal fixed to body instead of boot lid
Note: If replacing early type of boot lid with seal on boot lid it is necessary to also order boot lid seal HZA5386 to fit on body.

1	H922	Boot lid - Fibre glass	1] Roadster	
2	AHA6314	Hinge - RH	1		
2	AHA6315	Hinge - LH	1		
3	SH604051	Screw	12		
4	GHF331	Washer - Spring	12		
5	AHH6326	Rod - Boot lid prop	1		
6	AJD7732	Washer - Double coil	1		
7	GHF300	Washer	1		
8	GHF500	Split pin	1] Roadster; GHN3, GHN4, GHN5 to 219000
9	AAA1524	Clip - Boot lid prop	1		
10	AB606031	Screw	2		
11	BHH293	Boot lid stay	1		
12	SH604051	Screw	2] Roadster; GHN5 - 219001 on
13	GHF221	Nut - Self locking	2		
14	GHF300	Washer	2		
15	F341	Boot lid gas strut kit - 1 struts	1] Roadster	
15	F342	Boot lid gas strut kit - 2 struts	1		

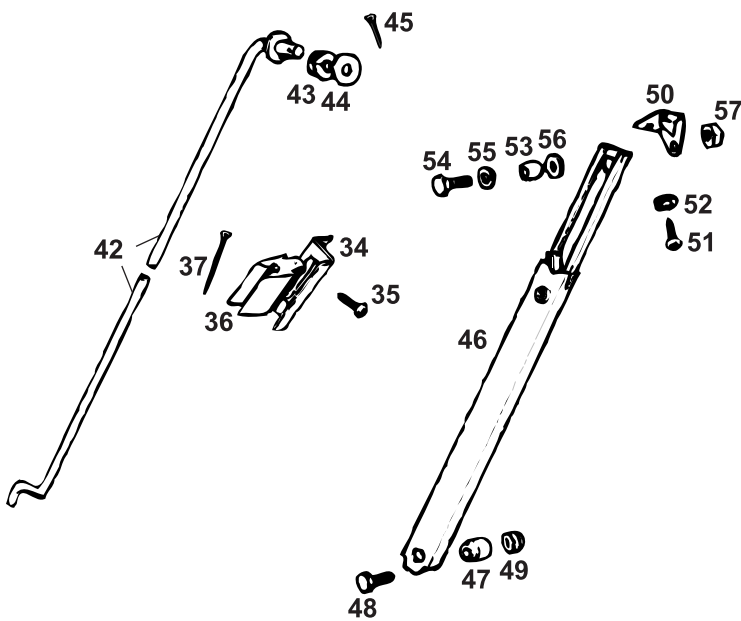
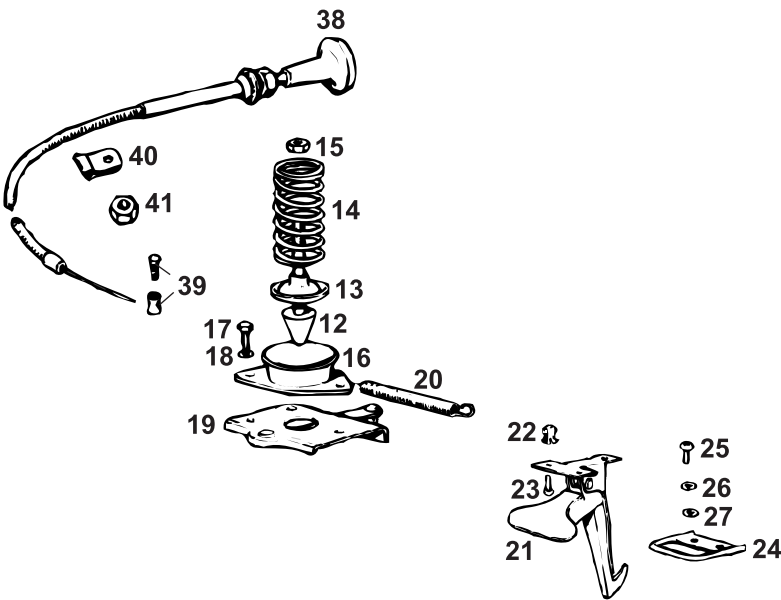
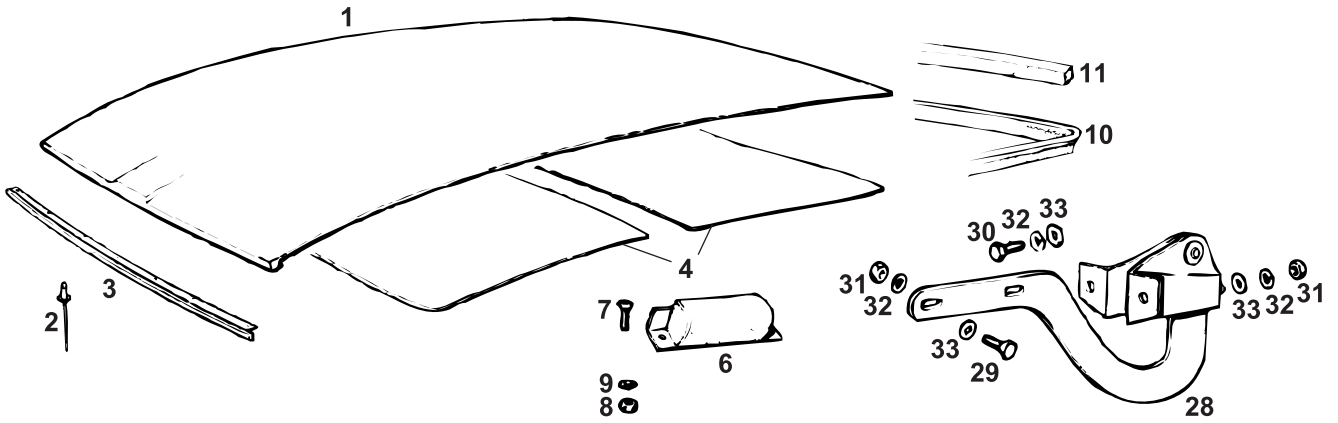
Gas-filled telescopic struts retain the boot lid in open position without having to fumble with the prop rod. Closing the boot lid becomes a one-handed affair, so you can hold your luggage in the other hand instead of having to put it on the floor while you release the prop rod or stay. Very convenient. Supplied complete with fixing brackets and instructions.

16	HZA3994	Tailgate	1] GT
16	HZA2003	Tailgate skin only	1	
17	HZA2100	Hinge - RH	1	
17	HZA2101	Hinge - LH	1	
18	SF605061	Screw - Hinge to tailgate	4	
19	GHF201	Nut	6	
20	GHF331	Washer - Spring	6	
21	AHH7900	Tailgate stay - RH	1	
21	AHH7901	Tailgate stay - LH	1	
22	AHH7899	Cover - Tailgate stay	2	
23	AHH7578	Cap - Cover - Large	2	
24	AHH7579	Cap - Cover - Small	2	
25	AHH7575	Stud - Tailgate stay	2	
26	GHF222	Nut - Self locking - Stud to body	2	
27	GHF332	Washer - Spring	2	
28	PWZ205	Washer	2	
29	14B1981	Nut - Dome	4	
30	GHF321	Washer - Shakeproof	4	
31	PWP204	Washer - Chrome plated	4	
32	AWZ106	Washer - Anti rattle	4	
33	F345	Tailgate gas strut kit	1	

The perfect replacement for weak, broken or noisy tailgate stay springs. Supplied complete with fixing brackets and instructions.

34	HZA5386	Seal - Boot lid (on body)	1] GHN5 - 401000 approx. on, plus all replacement boot lids Up to GHN5 - 401000 approx., original boot lids only
34	AHH6535	Seal - Boot lid (on boot lid)	1	
35	DSK4	Tailgate seal kit	1] GT
36	AHH7833	Seal - Tailgate - Inner	1	
37	AHH9778	Seal - Tailgate - Outer	1	
38	AHH7818	Retainer - Seal	1	
39	AB606031	Screw	10	
40	HZA1431	Cover - Gearbox remote control	1] 4 Synchro
41	AHC188	Seal	1	
42	SE604041	Screw	3] Chrome bumper Rubber bumper
43	GHF331	Washer - Spring	3	
44	AHH6716	Battery cover - 2 x 6 volt batteries	1	
44	HZA4935	Battery cover - 1 x 12 volt battery	1	
45	AHH6352	Seal - Battery cover	1	
46	AHH7210	Dzus fastener	5	
47	7H9828	Spring - Dzus fastener	5	

**Telephone: 01954 230928 Fax: 01954 231923, Email: sales@mgocspares.co.uk
 Buy Online at www.mgocspares.co.uk**



© 2008 MGOC Spares Ltd



**MGB
& GT
1800**



1	HZA401	Bonnet - Aluminium	1	1962-69
1	HZA4014	Bonnet - Steel	1	1969 on; may be used as replacement on 1962-69 cars
1	HZA4016	Bonnet - Louvred	1	
1	H925	Bonnet - Fibreglass	1	
2	GHF600	Pop rivet	7] GHN5 to 294250, GHD5 to 296000. (part of recessed grille type). Original style Improved design
3	AHH9888	Moulding - Bonnet	1	
4	BHH925C	Soundproof felt - Bonnet	1] Quantity reduced when BHH209 seal fitted
5	N042	Soundproof felt pads - Bonnet - Pair	1	
6	AHH6523	Bonnet buffer	4/2] GHN4/5, GHD4/5 cars
7	PMZ306	Screw	8/4	
8	GHF206	Nut	8/4] Only required for original alloy bonnets
9	WL700101	Washer - Spring	8/4	
10	BHH209	Seal - Bonnet	1] Chrome bumper Rubber bumper
11	BHH2270	Seal - Bonnet - Foam - Rear channel	1	
12	14G2444	Pin - Bonnet lock	1	
13	4G3676	Cup - Bonnet lock	1	
14	HZA563	Spring - Bonnet lock	1	
15	NT606041	Nut	1	
16	AHA5543	Cup - Lock locating	1	
17	SH604041	Screw	3	
18	GHF331	Washer - Spring	3	
19	4G3035	Plate - Bonnet lock	1	
19	HZA4551	Plate - Bonnet lock	1	
20	4G2494	Spring - Lock return	1	
21	HZA332	Safety catch	1	
22	BHA4338X	Nut - Caged	3	
23	PMZ308	Screw	3	
24	AHA5617	Striker - Safety catch	1	
25	PMZ308	Screw	2	
26	WL700101	Washer - Spring	2	
27	PWZ203	Washer	2	
28	HZA364	Hinge - Bonnet	2	
29	GHF117	Screw - Hinge to bonnet	4	
30	SH604051	Screw - Hinge to bulkhead	4	
31	GHF200	Nut	6	
32	GHF331	Washer - Spring	10	
33	PWZ204	Washer	10	
34	AHH7091	Bracket - Grip	1	
35	GHF425	Screw	2	
36	2H9215	Grip - Bonnet prop - Rubber	1	
37	GHF504	Split pin	1	
38	AHH6426B	Bonnet pull cable - Round handle	1] Alternatives
38	AHH6426	Bonnet pull cable - 'T' handle	1	
39	24G1052K	Trunion assembly	1	
40	PCR311	Clip - Bonnet cable to wing fixing screws	3	
41	NT605041	Nut	2	

Note: If fitting a bonnet prop rod to a new replacement bonnet it will be necessary to drill the bonnet prop bracket off the old bonnet and pop rivet it on to the new bonnet.

42	AHH7380	Rod - Bonnet prop	1] GHN3/4/5, GHD3/4/5 to 219000
43	AJD7732	Washer - Double coil	1	
44	GHF300	Washer	1] GHN5, GHD5 - 219001 on
45	GHF500	Split pin	1	
46	AHA9717	Bonnet stay	1	
47	BHH298	Spacer - Bonnet stay - Lower	1	
48	GHF101	Screw	1	
49	GHF221	Nut - Self locking	1	
50	BHH1934	Bracket - Bonnet stay	1	
51	GHF425	Screw	2	
52	WE702101	Washer - Shakeproof	2	
53	AHA9718	Spacer - Bonnet stay - Upper	1	
54	GHF117	Screw	1	
55	GHF300	Washer	1	
56	GHF302	Washer	1	
57	GHF221	Nut - Self locking	1	
58	F340	Bonnet gas strut kit	1	

Say goodbye to a floppy raised bonnet (aluminium versions) or the effort to lift the bonnet (steel versions) with a bonnet gas strut kit. Supplied complete with brackets and fitting instructions.

59	G208	Bonnet pins - Pair	1
60	G209	Bonnet straps - pair	1

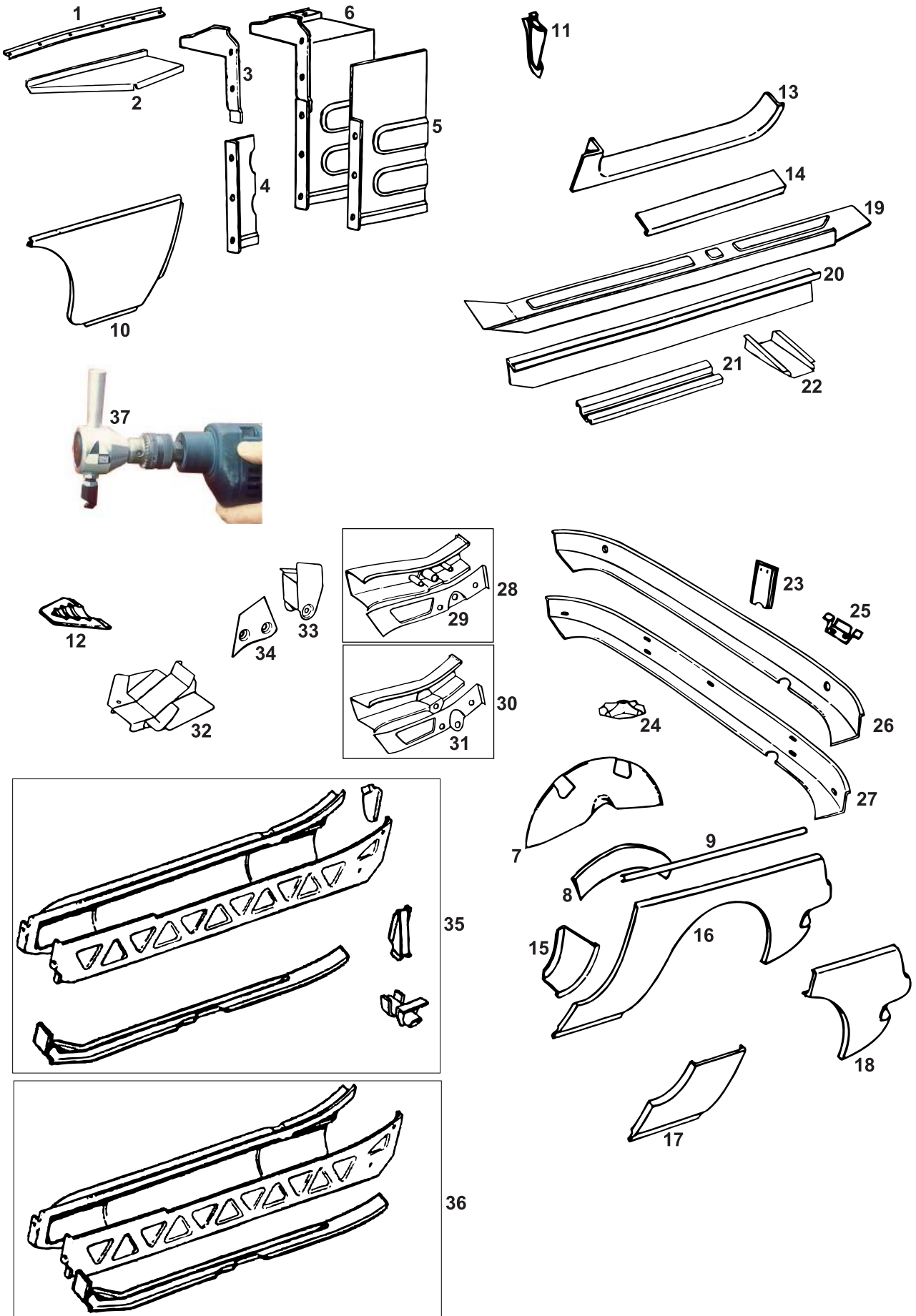
For that 'Abingdon Works' look... or if you don't trust your bonnet catch!

Telephone: 01954 230928 Fax: 01954 231923, Email: sales@mgocspares.co.uk

Buy Online at www.mgocspares.co.uk



MGB
& GT
1800





**MGB
& GT
1800**



Repair Panels

1	MB51	Inner wing top	2		Includes welded nuts
2	MB27R	Inner wing reinforcer top - RH	2		
2	MB27L	Inner wing reinforcer top - LH	2		
3	MB20AR	Top splash plate - RH - Repro	1	}	Includes welded nuts
3	MB20AL	Top splash plate - LH - Repro	1		
4	MB52R	Splash shield flange - RH	2		
4	MB52L	Splash shield flange - LH	2		
5	MB68R	Splash shield flange - Extended - RH - 8" ..	2		
5	MB68L	Splash shield flange - Extended - LH - 8" ..	2		
6	MB67R	Front bulkhead repair - RH - 14"	2	}	Includes welded nuts
6	MB67L	Front bulkhead repair - LH - 14"	2		
7	MB77	Inner wheelarch repair	2		
8	MB55R	Outer wheelarch repair - RH	2		
8	MB55L	Outer wheelarch repair - LH	2		
9	MB38	Wing top beading	A/R		5 1/2 foot lengths
10	MB15R	Front wing repair - Lower - RH	2		
10	MB15L	Front wing repair - Lower - LH	2		
11	BMH9508	A post screen pillar cover - LH	1	}	Roadster. Covers base of screen pillar on A post
11	BMH9509	A post screen pillar cover - RH	1		
12	HZA283	Plate - Heelboard brace	1		Chrome bumper
12	HZA5019	Plate - Heelboard brace	1		Rubber bumper
13	MB46R	Door bottom repair - RH	2	}	With radiused ends
13	MB46L	Door bottom repair - LH	2		
14	MB47	Door bottom repair	2		Flat; 27 1/2 in. long
15	MB59R	'B' post repair - RH	2	}	Full lower wing - door to rear lamp, chrome bumper and rubber bumper
15	MB59L	'B' post repair - LH	2		
16	MB37R	Rear 1/2 wing - RH	2		
16	MB37L	Rear 1/2 wing - LH	2		
17	MB36R	Rear wing 1/4 - RH	2		
17	MB36L	Rear wing 1/4 - LH	2		
18	MB35R	Arch to lamp repair - RH	2		
18	MB35L	Arch to lamp repair - LH	2		
19	MB71R	Floor pan outer edge repair - RH	2		
19	MB71L	Floor pan outer edge repair - LH	2		
20	MB22R	Inner side member repair - RH	2	}	48 in. long
20	MB22L	Inner side member repair - LH	2		
21	MB25	Castle rail repair	A/R		24 in. long
22	MB31	Outrigger repair	2		
23	HZA470	Boot lid striker reinforcement	1		
24	AHA5741	Bracket - Spare wheel clamp	1		
25	HZA479	Bracket - Rear exhaust mounting	1		
26	MB41	Rear lower valance repair	1		Chrome bumper
27	MB45	Rear lower valance repair	1		Rubber bumper
28	MB56R	Rear spring hanger repair - RH	2	}	Chrome bumper
28	MB56L	Rear spring hanger repair - LH	2		
29	MB58R	Closing plate - Spring hanger -	2		
29	MB58L	Closing plate - Spring hanger -	2		
30	MB57R	Rear spring hanger repair - RH	2	}	Rubber bumper
30	MB57L	Rear spring hanger repair - LH	2		
31	MB58AR	Closing plate - Spring hanger -	2		
31	MB58AL	Closing plate - Spring hanger -	2		
32	BMH9002	Rear spring front mounting bracket - RH ..	1	}	Chrome bumper
32	BMH9003	Rear spring front mounting bracket - LH ..	1		
32	MB83R	Rear spring front mounting bracket -	2		
32	MB83L	Rear spring front mounting bracket -	2		
32	BMH9004	Rear spring front mounting bracket- RH ..	1	}	Rubber bumper
32	BMH9005	Rear spring front mounting bracket - LH ..	1		
33	HZA286	Bracket - Axle strap - RH	1	}	Chrome bumper
33	HZA287	Bracket - Axle strap - LH	1		
33	HZA4960	Bracket - Axle strap - RH	1	}	Rubber bumper
33	HZA4961	Bracket - Axle strap - LH	1		
34	HZA276	Damper mounting plate - RH	1		
34	HZA277	Damper mounting plate - LH	1		
35	MBS6R	Sill kit 6 piece RH - Reproduction	1		
35	MBS6L	Sill kit 6 piece LH - Reproduction	1		
36	MBS3R	Sill kit 3 piece RH - Reproduction	1		
36	MBS3L	Sill kit 3 piece LH - Reproduction	1		

Note: Panel part numbers starting with 'MB...' which are handed should be ordered with either an 'R' or 'L' suffix depending on which side is required, e.g MB27R, MB20L. If both sides of a handed panel are required then both sides should be written as separate part numbers e.g. MB27R, MB27L, MB20R, MB20L, etc.

37 Z067 Panel cutter 1 Attaches to power drill and cuts cleanly through steel body panels

**Telephone: 01954 230928 Fax: 01954 231923, Email: sales@mgocspares.co.uk
Buy Online at www.mgocspares.co.uk**

BODY FITTINGS:

DOOR LOCKS & FITTINGS 3 SYNCHRO

DOOR LOCKS & FITTINGS 4 SYNCHRO

BOOT LID & TAILGATE LOCKS

BADGES

FINISHERS & MOULDINGS

TREADPLATES & OVERSILLS

CHROME BUMPERS

RUBBER BUMPERS

NUMBER PLATE BACKINGS

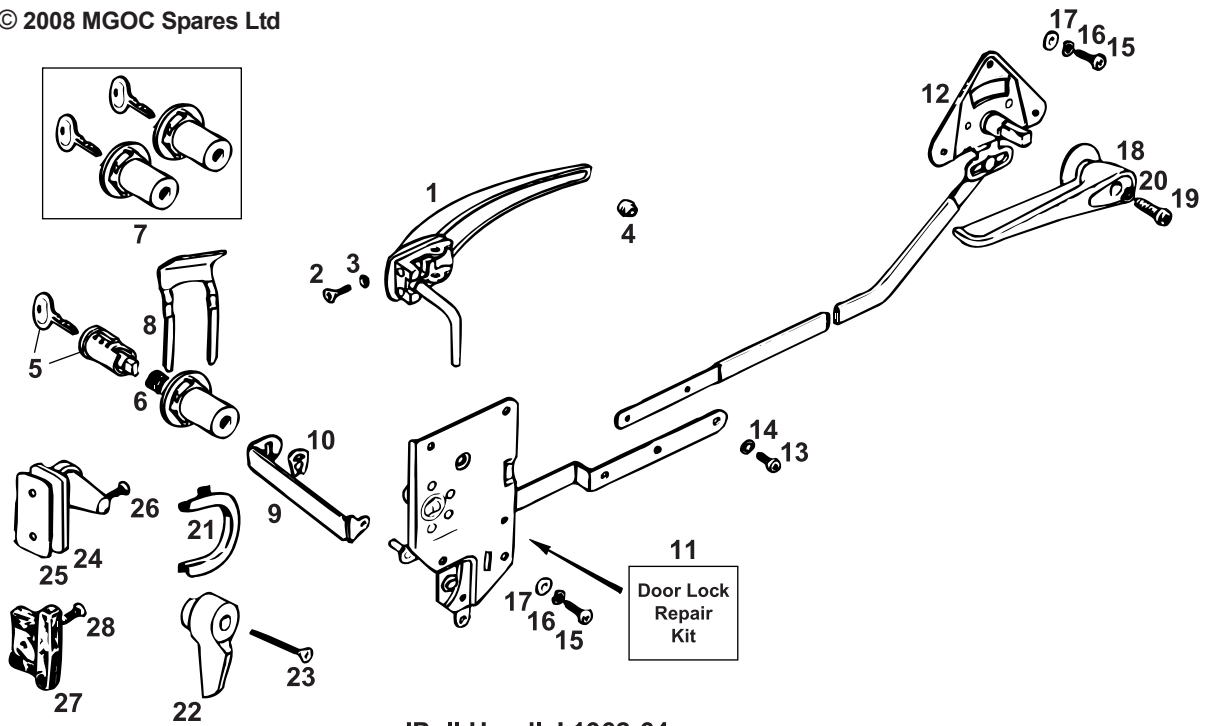
RADIATOR GRILLES

MIRRORS

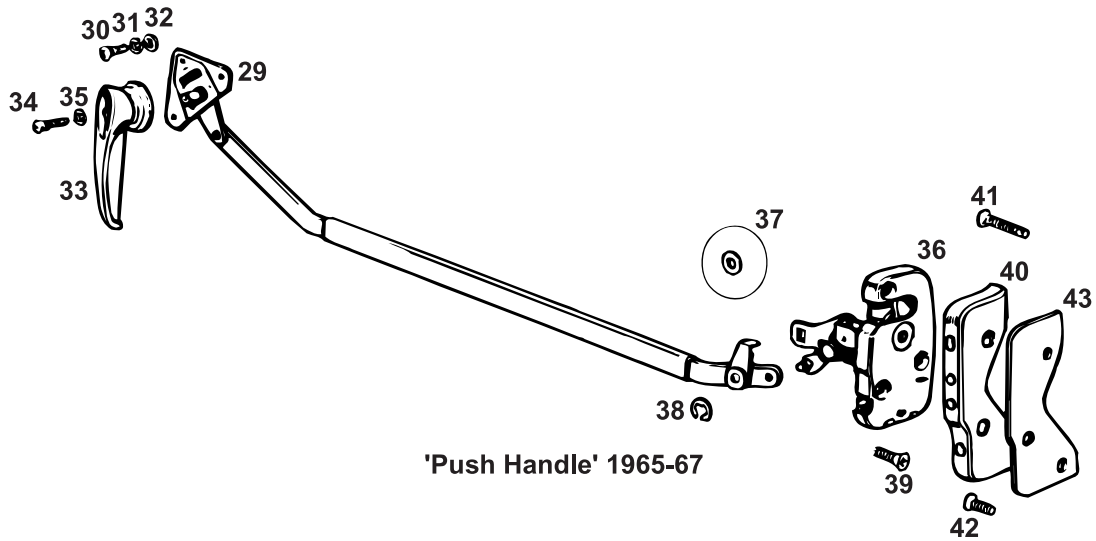




© 2008 MGOC Spares Ltd



'Pull Handle' 1962-64



'Push Handle' 1965-67



Parts Availability: Certain components within the Door Fittings section (e.g. remote controls and some door pulls) may not be currently available but are still included in the catalogue for reference purposes, or in anticipation that they may be reintroduced in future. These items may be identified by their absence or '0' pricing within our price look up program (please visit our website for price updates). In these circumstances customers should contact our spares team for advice - we will either provide an alternative or give second hand supplier sourcing information to MGOC members.

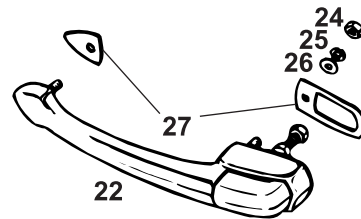
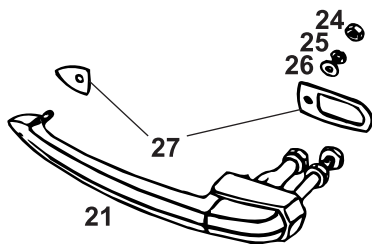
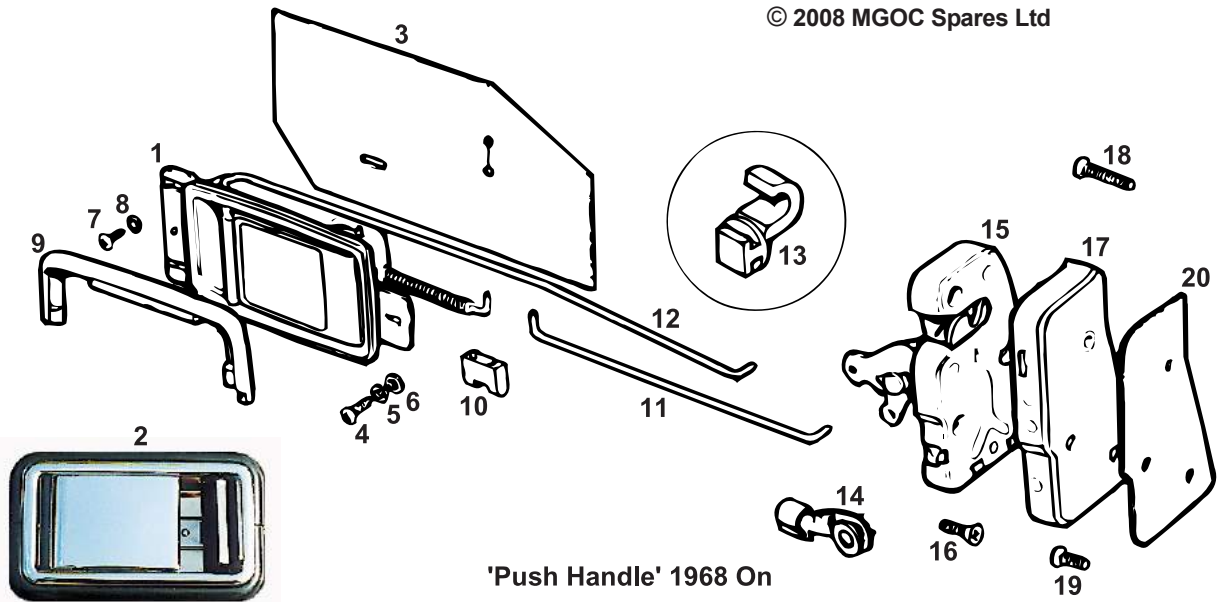
1	AHH6661	Door handle - RH	1	
1	AHH6662	Door handle - LH	1	
2	CMZ310	Screw	2	
3	AAA835	Washer - Cup	2	
4	ADA1764	Buffer - Exterior door handle	2	
5	AHH6673	Barrel - Private lock	2	
6	AHH6674	Spring - Self centre	2	
7	AHH6672K	Door locks - Pair	1	
8	AHH6249	Clip	2	
9	AHH6675	Link - Private lock	2	
10	AHH6676	Clip - Anderton	2	
11	AHH6669K	Door lock repair kit	2	
12	AHH6666	Remote control - RH	1	
12	AHH6667	Remote control - LH	1	
13	PMZ306	Screw	4	
14	WF702101	Washer - Shakeproof	4	'Pull handle' exterior door handle, 1962-64 GHN3 Roadster only
15	PMZ308	Screw	14	
16	WL700101	Washer - Spring	14	
17	PWZ203	Washer	14	
18	34G2529	Handle	2	
19	ADH834	Screw	2	
20	WL700101	Washer - Spring	2	
21	AHH6547	Finisher - Door lock	2	
22	AHH6513	Knob - Inside locking	1	
23	RMP212	Screw	1	
24	AFH1684	Striker	2	
25	14A4673	Spacer - Striker	A/R	
26	SF604061	Screw	4	
27	AHH6273	Buffer - Door to 'B' post	4	
28	RMZ308	Screw	4	
29	AHH7484	Remote control - RH	1	
29	AHH7485	Remote control - LH	1	
30	PMZ308	Screw	6	
31	WL700101	Washer - Spring	6	
32	GHF306	Washer	6	
33	34G2529	Handle	2	
34	ADH834	Screw	2	
35	WL700101	Washer - Spring	2	
36	AHH7451	Lock - RH	1	
36	AHH7452	Lock - LH	1	'Push button' exterior door handle; 1965-67 GHN3 Roadster, all GHD3 GT
37	ALH1879	Washer - Anti rattle	2	
38	13H2023	Circlip	2	
39	SF604081	Screw - Lock to door	6	
40	AHH7758	Striker plate - RH	1	
40	AHH7759	Striker plate - LH	1	
41	SF604121	Screw - Long - Striker to B post	2	
42	SF604061	Screw - Short - Striker to B post	4	
43	BHH342	Shim - Striker plate - 1/32 in - Cut to shape	A/R	
43	AHH8715	Shim - Striker plate - 1/16 in - Cut to shape	A/R	
44	GLZ118	Door pull assembly - Plastic and chrome	2	GHN3, GHD3, GHN4/5, GHD4/5 to 258000 High quality all-metal alternative to plastic handle
45	K121	Door pull - Chrome	2	
46	RMP308	Screw	4	
47	RGA6476	Door pull - Black	2	GHN5, GHD5-258001 to GHN5-294250, GHD5-296000
47	RGK6476	Door pull - Autumn leaf	2	
47	RGN6476	Door pull - Navy	2	
47	RGT6476	Door pull - Ochre	2	
47	RGX6476	Door pull - Beige	2	
48	PMZ308	Screw	4	
Note: If fitting any of the above door pulls to new replacement door HZA5508, 5509, 5514 or 5515 it will be found that one of the welded nuts has been replaced by a large pressed hole. It is necessary to order 2 off plastic nut GHF1029 to fill the hole and replace 2 off RMP308 screw with 2 off RTP1006 (for GLZ118 and K121 handles) or replace 2 off PMZ308 with 2 off GHF426 (for RGA/K/N/T6476 handles).				
49	X2A1500	Door pull - Black	2	GHN5-294251, GHD5-296001 on
49	P140K	Door pull - Autumn leaf	2	
49	P140N	Door pull - Navy	2	
49	X2T1500	Door pull - Ochre	2	
49	X2X1500AK	Door pull - Beige	2	
50	S060	Door pulls - Walnut - Pair	1	
50	S060A	Door pull - Walnut	2	
51	GHF1027	Nut - Plastic	4	
52	GHF431	Screw	4	



MGB
& GT
1800

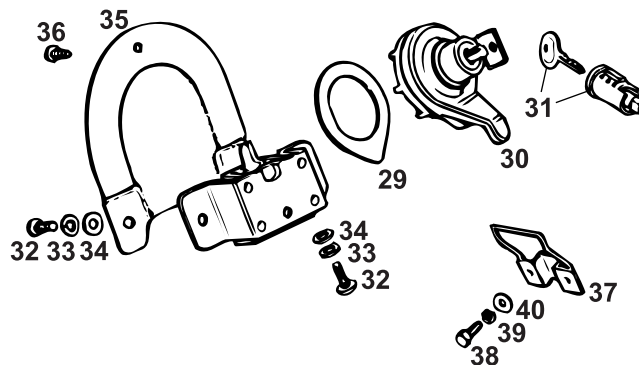
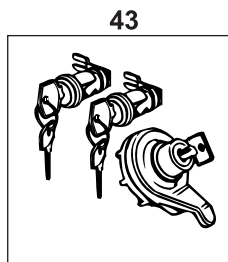
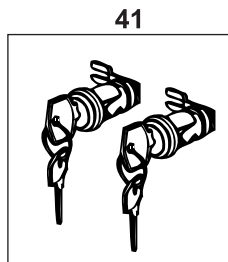
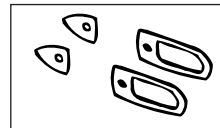


© 2008 MGOC Spares Ltd



'Push Handle' 1965-67

'Push handle' 1968 On





**MGB
& GT
1800**



1	CZK3792	Door handle - Interior - RH	1
1	CZK3793	Door handle - Interior - LH	1
2	K124	Door handle - Interior - Chrome - RH	2
2	K123	Door handle - Interior - Chrome - LH	2
3	BHH901	Seal - Dust	2
4	PMZ308	Screw	6
5	WL700101	Washer - Spring	6
6	GHF306	Washer	6
7	AB610031	Screw	2
8	WF702101	Washer - Shakeproof	2
9	CZA2259	Bezel - Handle	4
10	37H3539	Connector - Door handle	2
11	AHH8818	Link - Operating - RH	1
11	AHH8819	Link - Operating - LH	1
12	AHH8816	Link - Locking - RH	1
12	AHH8817	Link - Locking - LH	1
13	AHH8834	Retainer - Remote control rod	2
14	BHA4705	Clip - Link	4
15	AHH9254	Lock - RH	1
15	AHH9255	Lock - LH	1
16	SF604081	Screw - Lock to door	6
17	CZA3310	Striker plate - RH	1
17	CZA3311	Striker plate - LH	1
18	SF604121	Screw - Long - Striker to B post	2
19	SF604061	Screw - Short - Striker to B post	4
20	BHH342	Shim - Striker plate - 1/32 in	A/R
20	AHH8715	Shim - Striker plate - 1/16 in	A/R
21	AHH7453	Door handle assembly - Exterior	2
22	AHH8885	Door handle assembly - Exterior	2
23	K160	Door handle escutcheons - Pair	1

GHN4/5, GHD4/5 cars

GHN3, GHD3, except 1962-64 roadster. Push button exterior handles
GHN4/5, GHD4/5. Push button exterior handles

Manufactured from mirror finish stainless steel to fit all push button type MGB handles. Simple to fit and held in place by the door handles themselves. Not only do they look good, but they protect the paintwork from scratches too.

24	FNZ103	Nut - Push button handle to door	4
25	WL700101	Washer - Spring	4
26	GHF306	Washer	4
27	14G2792P	Gasket - Handle - Pair	2
28	14G2792S	Gasket - Car set	1
29	AHH6180	Gasket - Boot handle	1
30	AHH6179	Boot handle	1
31	AHH7450	Lock - Boot and tailgate	1
32	PMZ308	Screw	4
33	WL700101	Washer - Spring	4
34	GHF306	Washer	4
35	AHH7596	Cover - Lock	1
36	AB606021	Screw	1
37	HZA356	Striker - Boot and tailgate	1
38	GHF117	Screw	2
39	GHF331	Washer - Spring	2
40	GHF300	Washer	2
41	BHH972/3	Door lock - Private - Pair - Matched	1
42	BHH972G	Gasket - Door lock	2
43	AHH6179S	Lock set - 3 - piece - Matched	1
43	AHH6179Z	Lock set - 3 - piece - Non slip	1
44	E050	Door lock fitting kit (use with std. locks)	1

GT

All cars except early roadster with pull out exterior handles

A vastly superior and secure method of fixing standard door locks in place. All fixings for two door locks supplied in kit.

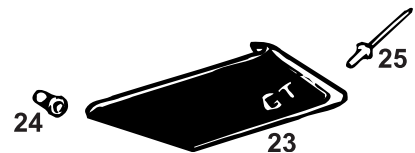
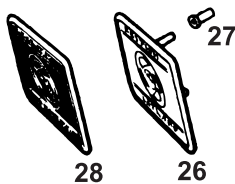
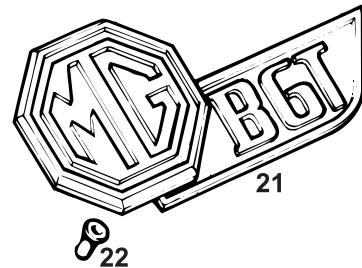
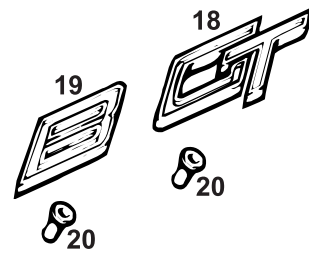
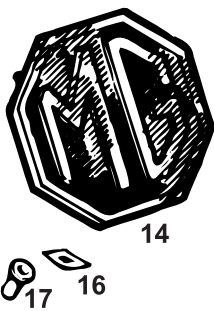
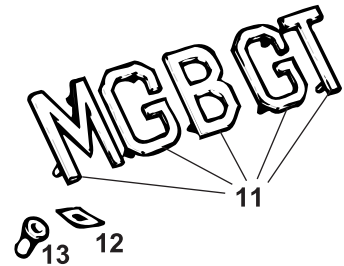
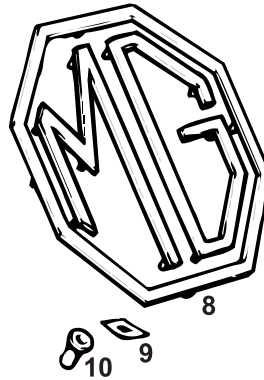
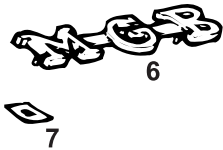
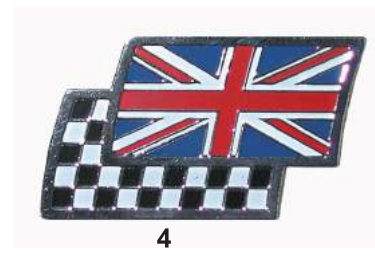
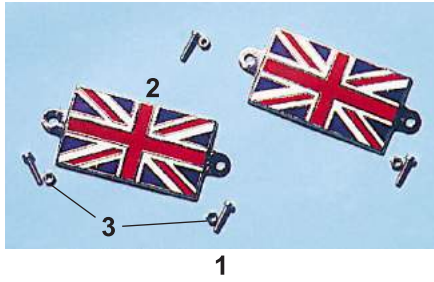
Maintaining chromework:

The Chromium Plating on all Club products is top quality and complies with BS1224, the industry standard for automotive products. To protect and preserve the chromium finish it is important that you apply Solvol Autochrome (A090) - BEFORE FITTING and re-apply at regular intervals. Wiping surfaces with a soft cloth soaked in Castrol DWF will also give excellent protection against corrosion in winter.

**Telephone: 01954 230928 Fax: 01954 231923, Email: sales@mgocspares.co.uk
Buy Online at www.mgocspares.co.uk**



MGB & GT 1800



© 2008 MGOC Spares Ltd

Telephone: 01954 230928 Fax: 01954 231923, Email: sales@mgocspares.co.uk



**MGB
& GT
1800**



1 K013K Badge kit - Union Jack badge and fixings A/R
 2 K013 Badge - Union Jack A/R
 3 K013A Fitting kit - Union Jack badge A/R
 5cm x 3cm enamel and chrome badge, slightly contoured for side panel fitting.

4 K700 Badge - Chequered flag - self adhesive A/R
 High quality self adhesive body badge, as fitted to MG Rover models.

5 K015 GB Letter set - Chrome - Screw fixings ... 1
 5 K016 GB Letter set - Stainless - Adhesive 1
 Choose between the chrome on brass letter set with hidden screw fixings and a self adhesive stainless equivalent.

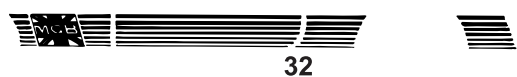
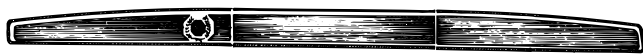
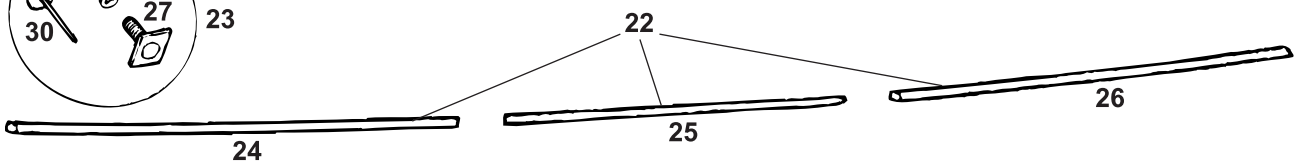
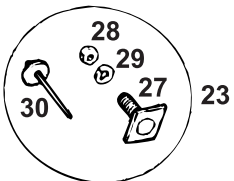
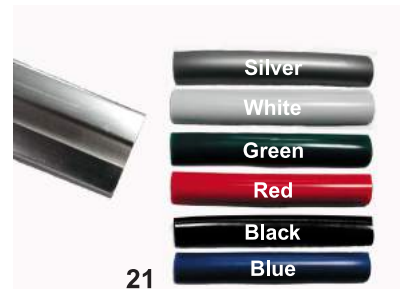
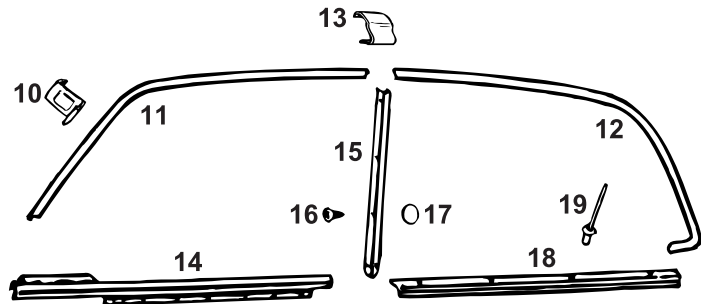
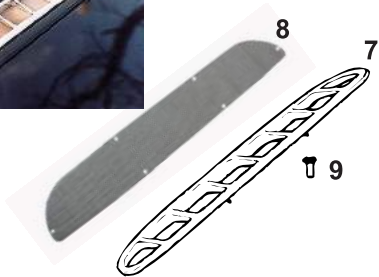
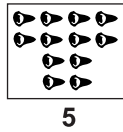
6	AHH6079	Boot script - 'MGB'	1	}	GHN3/4/5 up to Sept. 1976 (roadster)	
7	PFS103	Push on fix	2			
8	AHH5261K	Badge - 'MG' - 3 piece set	1	}	GHN3/4, GHD3/4 (roadster and GT)	
9	BHA4553	Push on fix	13/9			
10	352985	Fix - Blind	4	}	GHN3/4, GHD3/4 (roadster and GT); quantity reduced for GT	
11	18G8766	Badge - 'MGBGT' - 5 piece set	1			
12	BHA4553	Push on fix	5			
13	352985	Fix - Blind	5			
14	34G252	Badge - 'MG' - Plastic	1	}	GHD3/4 (GT) only	
Note: CHA545 metal MG badge can be used to replace 34G252 if required.						
					}	GHN5 to 394007, GHD5 to 296000 (roadster and GT)

15	CHA545	Badge - Metal - Silver finish	1	}	GHN5-394008 on (roadster)	
15	CHA508	Badge - Metal - Gold finish	1			
16	PFS106	Push on fix	3/2	}	1975 Jubilee year cars	
17	594990	Fix - Blind	1			
18	AHH9925	Badge - 'GT'	1	}	Quantity 3 for roadsters, 2 for GT	
19	AHH9926	Badge - 'B'	1			
20	GHF1531	Fix - Blind	4	}	GT	
21	BHH855	Badge - with blue insert	1			
21	HZA5024	Badge - with silver insert	1	}	GHD5 to 296000 (GT)	
21	HZA5021	Badge - Gold finish	1			
21	BHH2685	Badge - Red 'MG'	1	}	GHD5-296001 to 394677	
22	GHF1531	Fix - Blind	3			
23	BHH1400	Badge - 'C' post - RH	1	}	GHD5-394678 on	
23	BHH1401	Badge - 'C' post - LH	1			
24	GHF1531	Fix - Blind	2	}	1975 jubilee year cars	
25	GHF600	Pop rivet	4			
26	CZH657	House badge - Leyland - Silver on blue ...	2	}	1980 LE models	
27	352985	Fix - Blind	4			
28	CZH2717	House badge - Leyland - Blue on silver ...	2	}	Officially fitted September 1976 on but some fitted to cars before this date	
					}	1970-72 approx. Secured with blind fixes
					}	1972-76 approx. Self adhesive

Maintaining chromework:

The Chromium Plating on all Club products is top quality and complies with BS1224 the industry standard for automotive products. To protect and preserve the chromium finish it is important that you apply Solvol Autochrome (A090) - BEFORE FITTING and re-apply at regular intervals. Wiping surfaces with a soft cloth soaked in Castrol DWF will also give excellent protection against corrosion in winter.

Telephone: 01954 230928 Fax: 01954 231923, Email: sales@mgocspares.co.uk
Buy Online at www.mgocspares.co.uk





**MGB
& GT
1800**



- 1 K001A Threshold plate - 'MG' - Each2
- 2 K002A Threshold plate - 'MGB' - Each2
- 3 K003A Threshold plate - 'MGB GT' - Each2
- 4 K012 Threshold plate - Original style alloy - Each 2
- 5 K008 Screw pack - Stainless - Threshold plates .1

Choose from a wide range of threshold plate styles, manufactured in mirror finish stainless steel (K101A, K001A, K002A, K003A) or alloy (original style K012 only). Protects paintwork on the door step and adds a further touch of quality to your MGB.

- 6 K007A Door seal retainer - Stainless - Each2
- 7 AHH6102 Grille - Fresh air intake1
- 8 AHH6102X Mesh - Fresh air intake grille1
- 9 GHF1531 Fix - Blind6
- 10 AHH7828 Finisher - 'A' post - RH1
- 10 AHH7829 Finisher - 'A' post - LH1
- 11 AHH7407 Finisher - Front RH1
- 11 AHH7408 Finisher - Front LH1
- 12 AHH7409 Finisher - Rear - RH1
- 12 AHH7410 Finisher - Rear - LH1
- 13 AHH7422 Clip - Gutter finisher2
- 14 AHH7476 Finisher - Door waist - RH1
- 14 AHH7477 Finisher - Door waist - LH1
- 15 BHH596 Finisher - 'B' post - RH1
- 15 BHH597 Finisher - 'B' post - LH1
- 16 MTP402 Screw - 'B' post finisher8
- 17 GHF821 Grommet - 'B' post finisher2
- 18 AHH7418 Finisher - Rear waist - RH1
- 18 AHH7419 Finisher - Rear waist - LH1
- 19 GHF600 Pop rivet A/R

Stops leaves and debris being sucked into heater

GT; GHD3 only

GT

Mirror-finish oversills provide protection and are easily kept clean. Choose method of fixing from an unobtrusive stainless strip or a more robust alloy finisher complete with coloured plastic insert:

- 20 K080 Oversills - Stainless steel - Set1
- 21 K085A Oversills - Stainless steel - Set1
- 21 K085B Oversills - Stainless steel - Set1
- 21 K085G Oversills - Stainless steel - Set1
- 21 K085M Oversills - Stainless steel - Set1
- 21 K085S Oversills - Stainless steel - Set1
- 21 K085W Oversills - Stainless steel - Set1
- 22 AHH6103SBL Side mouldings - Car set of 61
- 23 AHH6103SFK Side moulding fitting kit - For both sides1
- 24 AHH6103 Moulding - Front wing - RH1
- 24 AHH6104 Moulding - Front wing - LH1
- 25 AHH6105 Moulding - Door - RH1
- 25 AHH6106 Moulding - Door - LH1
- 26 AHH6107 Moulding - Rear wing - RH1
- 26 AHH6108 Moulding - Rear wing - LH1
- 27 AHH6360 Stud plate6
- 28 GHF206 Nut6
- 29 WL700101 Washer - Spring6
- 30 GHF1435 Clip - Body moulding42
- 30 GHF1435S Body moulding clips - Pack of 501
- 31 HZA5026/31Z Body stripe set1
- 32 BHH2697S Body stripe set - Gold1
- 32 BHH2690A Body stripe set - Silver1

With narrow stainless attachment strips
Attached by alloy finishers with black inserts
Attached by alloy finishers with blue inserts
Attached by alloy finishers with green inserts
Attached by alloy finishers with red inserts
Attached by alloy finishers with silver inserts
Attached by alloy finishers with white inserts
Original equipment

1975 Jubilee edition. Reproduction - logo in green, not black as original
1980 LE roadster
1980 LE GT

Maintaining chromework:

The Chromium Plating on all Club products is top quality and complies with BS1224 the industry standard for automotive products. To protect and preserve the chromium finish it is important that you apply Solvol Autochrome (A090) - BEFORE FITTING and re-apply at regular intervals. Wiping surfaces with a soft cloth soaked in Castrol DWF will also give excellent protection against corrosion in winter.

**Telephone: 01954 230928 Fax: 01954 231923, Email: sales@mgocspares.co.uk
Buy Online at www.mgocspares.co.uk**



MGB
& GT
1800



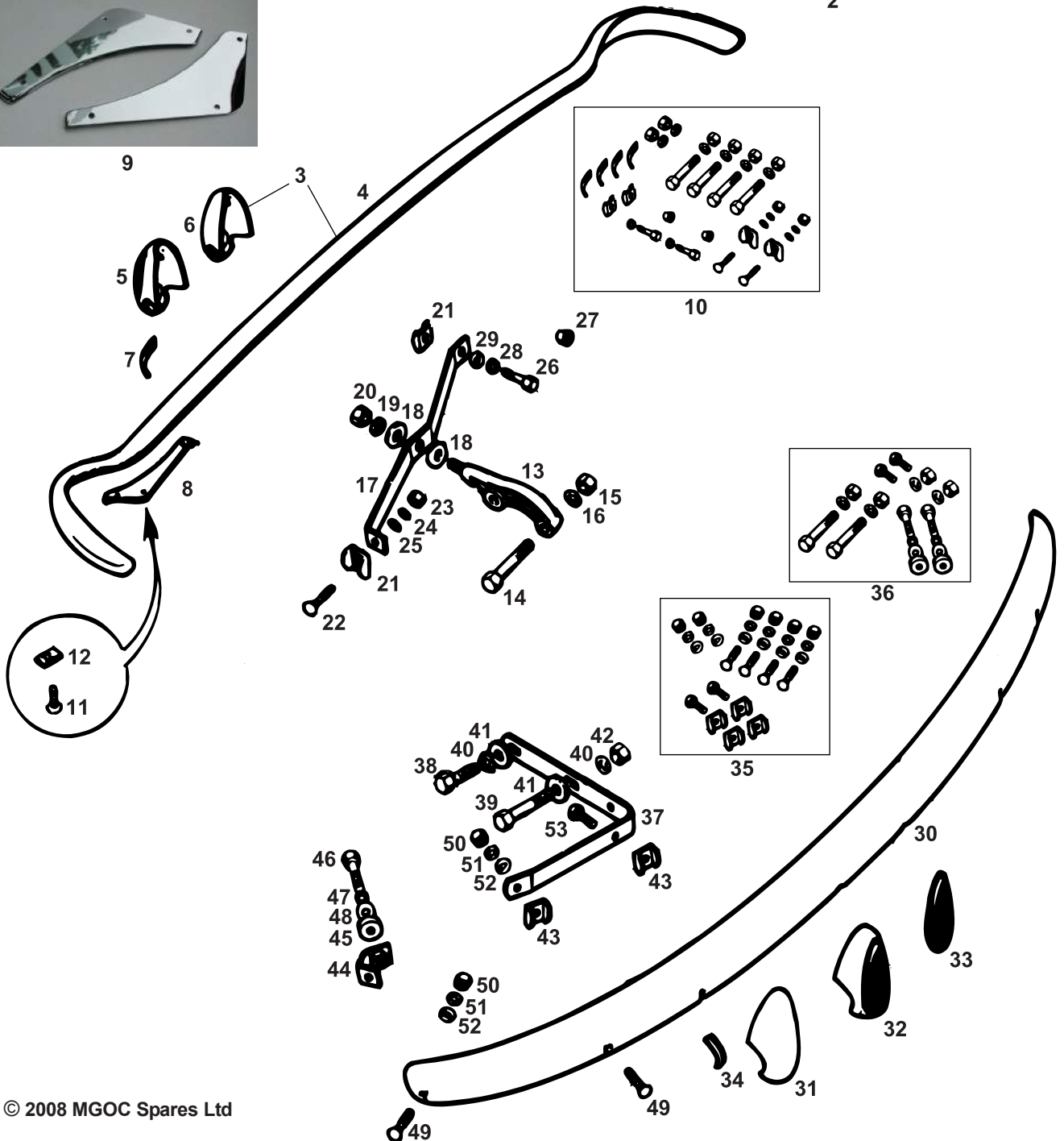
1



2



9



© 2008 MGOC Spares Ltd

Telephone: 01954 230928 Fax: 01954 231923, Email: sales@mgocspares.co.uk

1	K201	Chrome bumper conversion kit 1		
Includes all brackets plus necessary rear wing inserts to convert a rubber bumper bodysell to take chrome bumpers.				
2	K202	Chrome bumper, grille and lamp kit 1		
Includes bumpers, all-chrome overrides, slatted grille and front indicator lamps to convert a rubber bumper car to 1962-70 appearance.				
2	K204	Chrome bumper, grille and lamp kit 1		
Includes bumpers, rubber faced overrides, honeycomb grille and front indicator lamps to convert a rubber bumper car to 1972-73 appearance.				
3	AHH6261KIT1	Rear bumper with overrides 1	1962-70.	Includes all-chrome overrides
4	AHH6261Z	Bumper - Rear - Chrome 1	1962-73	
This is the 'plain' bumper, fitted between 1962 and 1973, where the number plate lamps mount on the overrides. For 1974 models, holes will have to be drilled in the bumper to accept the lamps which were resited there for that year only.				
5	AHH6489Z	Override - All chrome - RH 1	} 1962-70	
5	AHH6490Z	Override - All chrome - LH 1		
6	BHH378Z	Override - Rubber face - RH 1	} 1971-73 (with number plate lamp holes)	
6	BHH379Z	Override - Rubber face - LH 1		
6	BHH377Z	Override - Rubber face 2	} 1974 only (no number plate lamp holes)	
7	37H9871	Override seal (cut to 4in lengths) A/R		
8	AHH7278/9	Bumper filler - Pair 1		
9	AHH7278/9S	Bumper filler - Pair - Stainless steel 1		Alternative
10	BFK926	Rear bumper fitting kit 1		Includes all fixings required to mount rear bumper to brackets
11	GHF421	Screw 6		
12	GHF700	Spire nut 6		
13	AHH6335	Bumper mounting 2		
14	BH607321	Bolt - Mounting to body 4		
15	GHF203	Nut 4		
16	GHF334	Washer - Spring 4		
17	AHH6250	Bracket - Rear Bumper 2		
18	PWZ208	Washer 4		
19	GHF335	Washer - Spring 2		
20	GHF204	Nut - Bracket to mounting 2		
21	AHH6216	Spacer 4		
22	24G625	Bolt - Bumper - Chrome - With nut 2		
23	GHF202	Nut 2		
24	GHF333	Washer - Spring 2		
25	PWZ306	Washer 2		
26	BH606161	Bolt 2		For all-chrome overrides
27	GHF202	Nut 2		For rubber-faced overrides
28	GHF333	Washer - Spring 2		
29	PWZ306	Washer 2		
30	AHH6208Z	Bumper - Front - Chrome 1	1962-74	
31	AHH6916Z	Override - All chrome 2	1962-70	
32	BHH377Z	Override - Rubber face 2	1971-74	
33	BHH157	Buffer - Override A/R		Suits BHH377, 378 and 379 front and rear overrides
34	37H9871	Override seal (cut to 4in lengths) A/R		
35	BFK928	Front bumper fitting kit 1		Includes all fixings required to mount front bumper to brackets
36	BFK912	Front bumper bracket fitting kit 1		Includes all fixings required to mount front bumper brackets to car
37	AHH6209	Bracket - Front bumper - RH 1		
37	AHH6210	Bracket - Front bumper - LH 1		
38	SH607101	Screw - Bracket to body 2		
39	BH607261	Bolt - Bracket to body 2		
40	GHF334	Washer - Spring 4		
41	2K6842	Washer 4		
42	GHF203	Nut 2		
43	AHH6216	Spacer 6		
44	AHH6215	Corner bracket 2		
45	24G629	Pad - Rubber spacer 2		
46	SH606101	Screw - Corner bracket to front valance 2		
47	GHF333	Washer - Spring 2		
48	PWZ306	Washer 2		
49	24G625	Bolt - Bumper - Chrome - With nut 4		
50	GHF202	Nut 4/6		Quantity increased for rubber-faced overrides
51	GHF333	Washer - Spring 6		
52	PWZ306	Washer 6		
53	GHF106	Bolt 2		

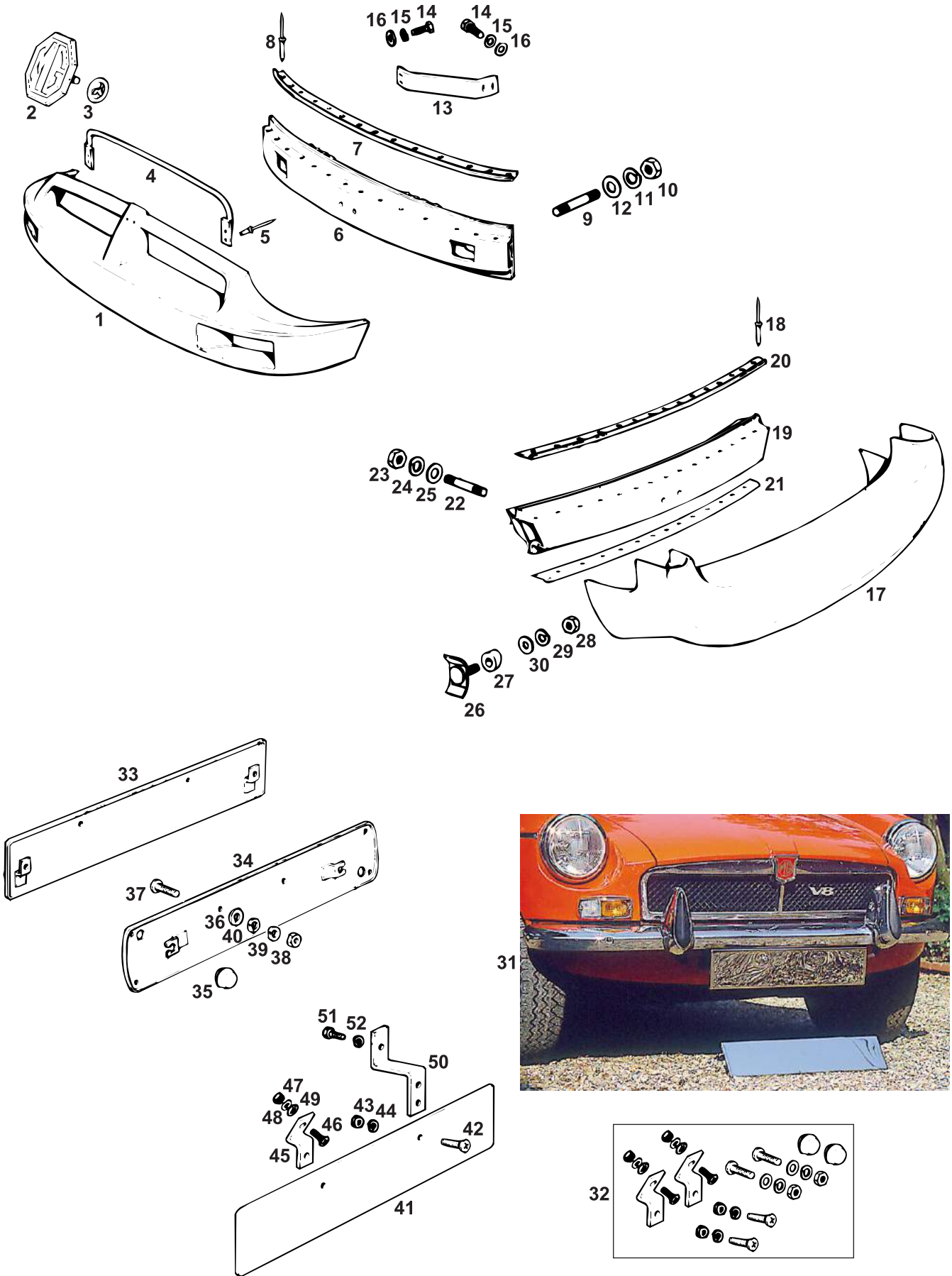
Maintaining chromework:

The Chromium Plating on all Club products is top quality and complies with BS1224 the industry standard for automotive products. To protect and preserve the chromium finish it is important that you apply Solvol Autochrome (A090) - BEFORE FITTING and re-apply at regular intervals. Wiping surfaces with a soft cloth soaked in Castrol DWF will also give excellent protection against corrosion in winter.

**Telephone: 01954 230928 Fax: 01954 231923, Email: sales@mgocspares.co.uk
Buy Online at www.mgocspares.co.uk**



MGB
& GT
1800



© 2008 MGOC Spares Ltd

Telephone: 01954 230928 Fax: 01954 231923, Email: sales@mgocspares.co.uk



1	BHM536	Rubber bumper skin - Front	1	1975 on
2	CHA544	Badge - Bumper - Silver finish	1	
2	CHA507	Badge - Bumper - Gold finish	1	Fitted to 1975 Jubilee year cars
2	BHH2688	Badge - Bumper - Red octagon	1	1980 LE models
3	PFS106	Push on fix	2	
4	BHH1577	Support - Bumper	1	
5	CHA366	Rivet - Support to armature	4	
6	BHH1819	Armature - Front	1	
7	BHH1561	Clamping plate	2	
8	CHA307	Rivet - Front bumper	28	
9	FHS614	Stud - Armature to body	4	
10	GHF202	Nut	4	
11	GHF333	Washer - Spring	4	
12	PWZ306	Washer	4	
13	BHH1559	Spring - Bumper - RH	1	
13	BHH1560	Spring - Bumper - LH	1	

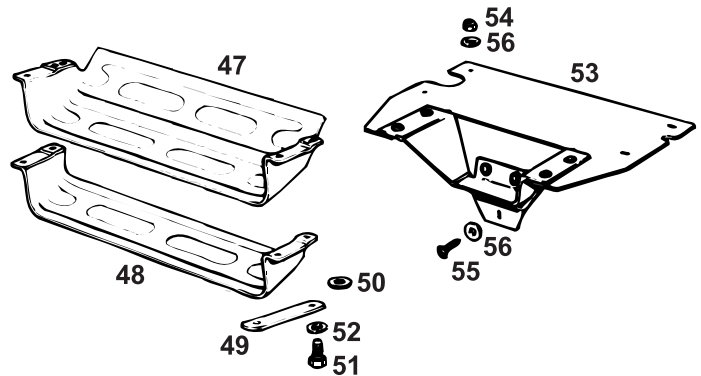
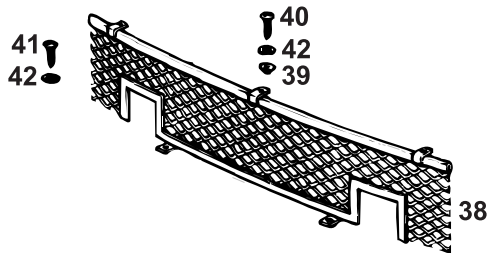
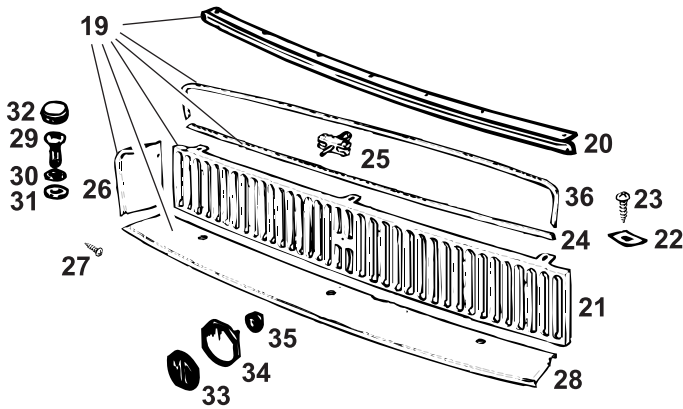
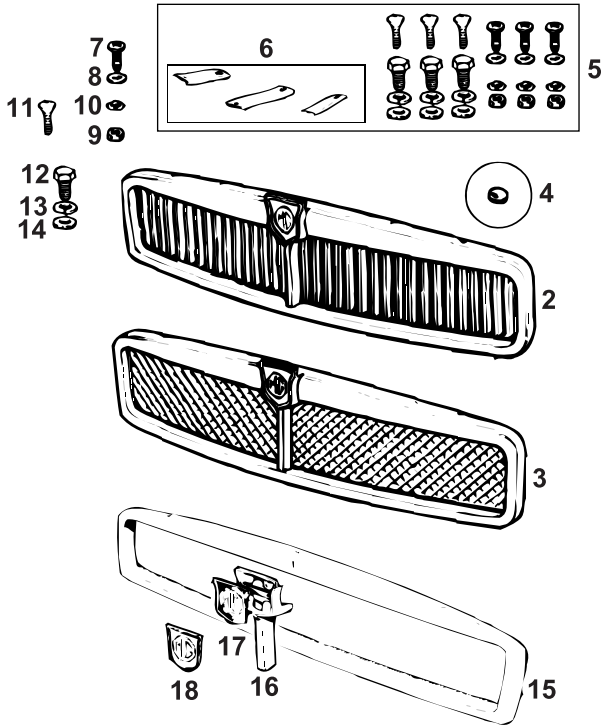
Note: The bumper springs were deleted from GHN5-371464, GHD5-378517 to GHN5, GHD5-471000. They may be fitted to these cars if required

14	SH606091	Screw	8	
15	GHF333	Washer - Spring	8	
16	PWZ206	Washer	8	
17	BHM537	Rubber bumper skin - Rear	1	1975 on
18	CHA307	Rivet - Rear bumper	28	
19	BHH1821K	Armature assembly - Rear	1	
20	BHH1550	Clamping plate - Upper	1	
21	BHH1551	Clamping plate - Lower	1	
22	FHS614	Stud	5	
23	GHF202	Nut	5	
24	GHF333	Washer - Spring	5	
25	GHF302	Washer	5	
26	BHH1575	Bracket - Side fixing	2	
27	BHH1576	Distance piece	4	
28	GHF201	Nut	2	
29	GHF332	Washer - Spring	2	
30	GHF301	Washer	2	
31	K171	Number plate backings - Pair - Stainless	1	Chrome bumper
31	K172	Number plate backings - Pair - Stainless	1	Rubber bumper, 1975 only
31	K173	Number plate backings - Pair - Stainless	1	Rubber bumper, 1976 on
32	K175	Fitting kit - stainless number plate backings	1	Chrome bumper
32	K176	Fitting kit - stainless number plate backings	1	Rubber bumper
33	AHA5791	Number plate backing - Rear - Black	1	Chrome bumper
34	BHH1673	Number plate backing - Rear - Black	1	Rubber bumper
35	AHA5804	Buffer - Rear number plate backing	2	
36	AHH5712	Washer - Packing	4	Two per screw between backing and body
37	SE604081	Screw	2	
38	GHF200	Nut	2	
39	GHF331	Washer - Spring	2	
40	GHF300	Washer	2	
41	BHH1524	Number plate backing - Front - Black	1	
42	SE604081	Screw	2	
43	GHF200	Nut	2	
44	GHF331	Washer - Spring	2	
45	AHH6217	Bracket - Number plate backing	2	
46	SE604081	Screw	2	
47	GHF200	Nut	2	Chrome bumper cars
48	GHF331	Washer - Spring	2	
49	GHF300	Washer	2	
50	BHH1642	Bracket - Number plate backing	2	Rubber bumper cars
51	SH604041	Screw	2	
52	GHF331	Washer - Spring	2	

**Telephone: 01954 230928 Fax: 01954 231923, Email: sales@mgocspares.co.uk
Buy Online at www.mgocspares.co.uk**



MGB
& GT
1800



© 2008 MGOC Spares Ltd

Telephone: 01954 230928 Fax: 01954 231923, Email: sales@mgocspares.co.uk



**MGB
& GT
1800**



1	K610	Supersports stainless grille mesh 1	
Woven stainless steel wire mesh grille, for increased air flow and enhanced sporting appearance. Inserts into original grille shell.			
2	ARH218	Grille - Chrome slatted 1	GHN 3/4, GHD3/4 (1962-69)
3	BHH824	Grille - Honeycombe 1	GHN5-294251, GHD5-296001 to finish of chrome bumper (1972-74)
4	ADA803	Buffer - Grille top 2	For ARH218 or BHH824 grille
5	HZA489FK	Grille fitting kit - Including steady brackets . 1	
6	HZA489K	Grille steady bracket kit 1	
7	PMZ308	Screw - Steady bracket to slam panel . . . 3	
8	GHF306	Washer 3	
9	GHF206	Nut 3	
10	WL700101	Washer - Spring 3	
11	RMP306	Screw - Steady bracket to grille 3	
12	SH604041	Screw - Grille to radiator duct panel . . . 3	
13	GHF331	Washer - Spring 3	
14	GHF300	Washer 3	
15	BHH831	Grille surround 1	For ARH218 grille
16	ARH1800	Pedestal 1	
17	ARA2148	Grille badge - Black 1	For BHH824 grille
18	BHH829	Grille badge - Red 1	
19	AHH9889K	Grille kit - 6 piece 1	GHN5 to 294250, GHD5 to 296000 (1970-72)
20	AHH9888	Bonnet moulding 1	
21	AHH9889	Grille panel 1	
22	GHF713	Spire nut 3	
23	GHF425	Screw - Grille to slam panel 3	
24	AHH9923	Grille finisher - Lower 1	
25	BHA5008	Clip - Finisher 12	
26	AHH9992	Grille side - RH 1	
26	AHH9993	Grille side - LH 1	
27	AD606064	Screw - Grille side to wing 2	
28	AHH9928	Grille base 1	
29	SE604051	Screw - Grille base to radiator duct panel . 3	
30	GHF331	Washer - Spring 3	
31	GHF300	Washer 3	
32	RFR210	Plug 3	
33	AHA9318	Badge - Grille 1	
34	AHH9924	Bezel 1	
35	ARA982	Fastener - Bezel 1	
36	AHH9922	Grille finisher - Upper 1	
37	K611	Supersports stainless grille mesh 1	Rubber bumper
38	BHH1753	Grille 1	
39	GHF1030	Nut - Plastic 3	
40	GHF423	Screw - Grille to slam panel 3	Chrome bumper
41	GHF424	Screw - Grille to radiator duct panel 2	
42	PWZ203	Washer 5	Rubber bumper
43	K025	Badge bar - Chrome - Fixes to bumper . . . 1	
44	K145	Badge bar - Chrome - Fixes to overriders . 1	Rubber bumper
45	K027	Badge bar - Chrome 1	
45	K029	Badge bar - Black 1	A/R
46	K033	Badge bar clip - Chrome A/R	
46	K034	Badge bar clip - Stainless steel A/R	Rubber bumper up to Sept. 1976
47	BHH1622	Air duct 1	
48	BHH1614	Air duct 1	Rubber bumper Sept. 1976 on
49	BHH1616	Strap - Air duct 2	Used on BHH1622 duct only
50	PWZ204	Washer 2	
51	GHF101	Screw 6/4	Quantity reduces Sept. 1976 on
52	GHF331	Washer - Spring 6/4	
53	BHH2127	Mudshield 1	Rubber bumper Sept. 1976 on
54	GHF220	Nut - Self locking 2	
55	GHF426	Screw 1	
56	PWZ203	Washer 3	

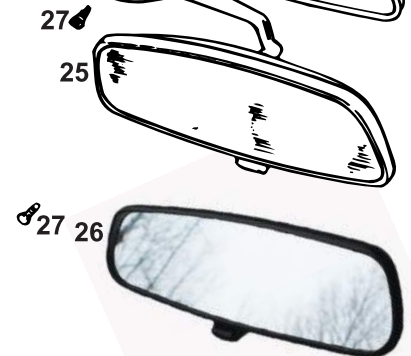
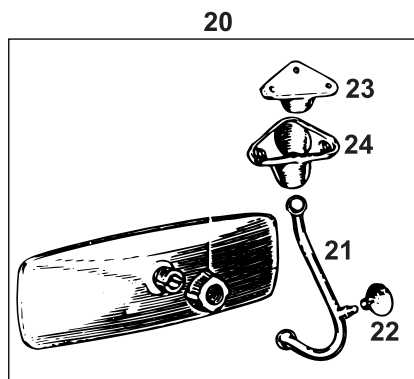
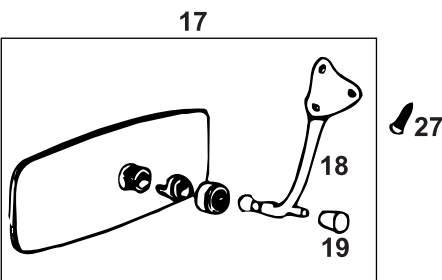
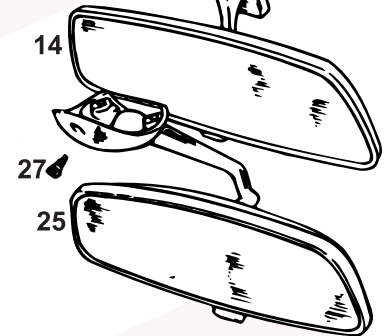
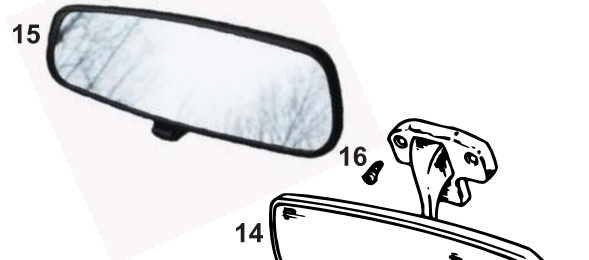
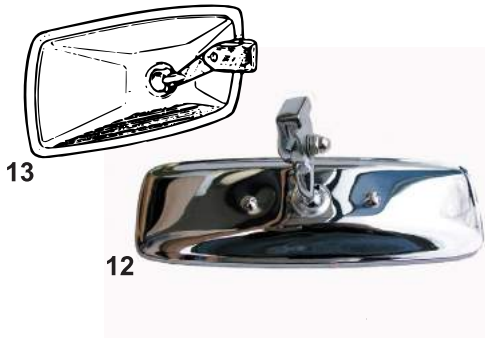
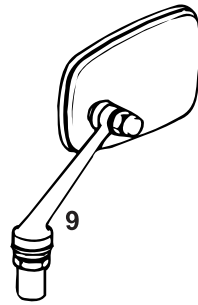
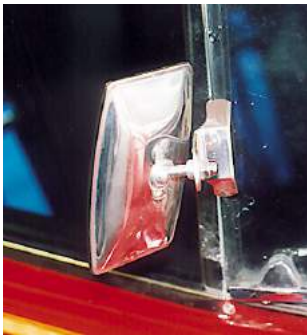
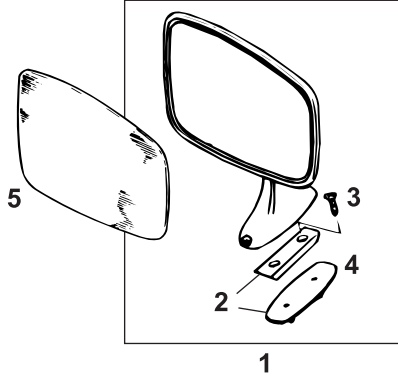
Maintaining chromework:

The Chromium Plating on all Club products is top quality and complies with BS1224 the industry standard for automotive products. To protect and preserve the chromium finish it is important that you apply Solvol Autochrome (A090) - BEFORE FITTING and re-apply at regular intervals. Wiping surfaces with a soft cloth soaked in Castrol DWF will also give excellent protection against corrosion in winter.

**Telephone: 01954 230928 Fax: 01954 231923, Email: sales@mgocspares.co.uk
Buy Online at www.mgocspares.co.uk**



MGB
& GT
1800



© 2008 MGOC Spares Ltd

Telephone: 01954 230928 Fax: 01954 231923, Email: sales@mgocspares.co.uk

The most popular exterior mirror design used on MGBs, fitted from the early 1970s onwards but often retro-fitted to earlier cars. Choose from original chrome or alternative black finishes:

1	K061	Mirror - Door - Chrome - RH	1	} Chrome mirror fitted GHN5-328801, GHD5-328101 on
1	K060	Mirror - Door - Chrome - LH	1	
1	K069	Mirror - Door - Black - RH	1	
1	K068	Mirror - Door - Black - LH	1	
2	CZA7164K	Fixing plate and plinth	2	
3	AC610081	Screw	4	
4	CZA7164	Plinth - Plastic	2	
5	GAM207A	Glass - Door mirror - Flat	2	
5	GAM208A	Glass - Door mirror - Convex	2	

1960s style sports racing mirror, suitable for door or wing mounting:

6	K070	Sports racing mirror	2
---	------	----------------------	---

The classically styled torpedo door mirror, handed left or right, mounts onto the standard MGB CZA7164 door mirror plinth, making it interchangeable with the standard door mirrors:

7	GAM001L	Torpedo door mirror	2	} Optional extra up to GHN5-328800, GHD5-328100.
7	GAM001R	Torpedo door mirror	2	
8	K075	Quarter light overtaking mirror	2	
9	K064	Rectangular head mirror - With stem	2	
10	K062	Oval head mirror - With stem	2	
11	K063	Round head mirror - With stem	2	

Parts Availability: Some interior mirrors may not be currently available but are still included in the catalogue for reference purposes, or in anticipation that they may be reintroduced in future. These items may be identified by their absence or '0' pricing within our price look up program (please visit our website for price updates). In these circumstances customers should contact our spares team for advice - we will either provide an alternative or give second hand supplier sourcing information to MGOC members.

12	BHA4806C	Mirror - Interior - Chrome	1	} Roadster; GHN3/4
13	BHA4806	Mirror - Interior - Standard	1	
14	BHA4960	Mirror - Interior - Dipping	1	} Roadster; GHN5
15	BHA4960HED	Mirror - Interior - Dipping - Head only	1	
16	RMP308	Screw	2	} GT; GHD3/4 to 139880
17	AHH7496	Mirror - Interior	1	
18	AHH7473	Stem	1	
19	AHH7474	Buffer	1	
20	BHA4781	Mirror - Interior	1	
21	BHA4782	Stem	1	
22	BHA4784	Sucker - Stem	1	} GT; GHD4-139881 to 187840
23	27H6665	Base	1	
24	27H6666	Cover	1	
25	BHA4955	Mirror - Interior - Dipping	1	} GT; GHD5
26	BHA4960HED	Mirror - Interior - Dipping - Head only	1	
27	AD610041	Screw	3	} GT

Maintaining chromework:

The Chromium Plating on all Club products is top quality and complies with BS1224 the industry standard for automotive products. To protect and preserve the chromium finish it is important that you apply Solvol Autochrome (A090) - BEFORE FITTING and re-apply at regular intervals. Wiping surfaces with a soft cloth soaked in Castrol DWF will also give excellent protection against corrosion in winter.

**Telephone: 01954 230928 Fax: 01954 231923, Email: sales@mgocspares.co.uk
Buy Online at www.mgocspares.co.uk**

GLASS & GLAZING:

DOOR DROP GLASS

DOOR QUARTER LIGHTS

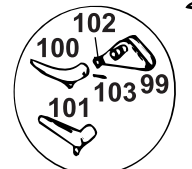
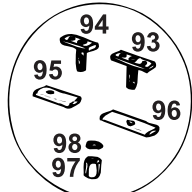
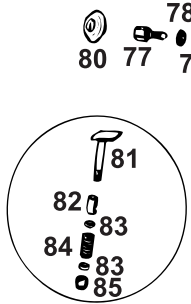
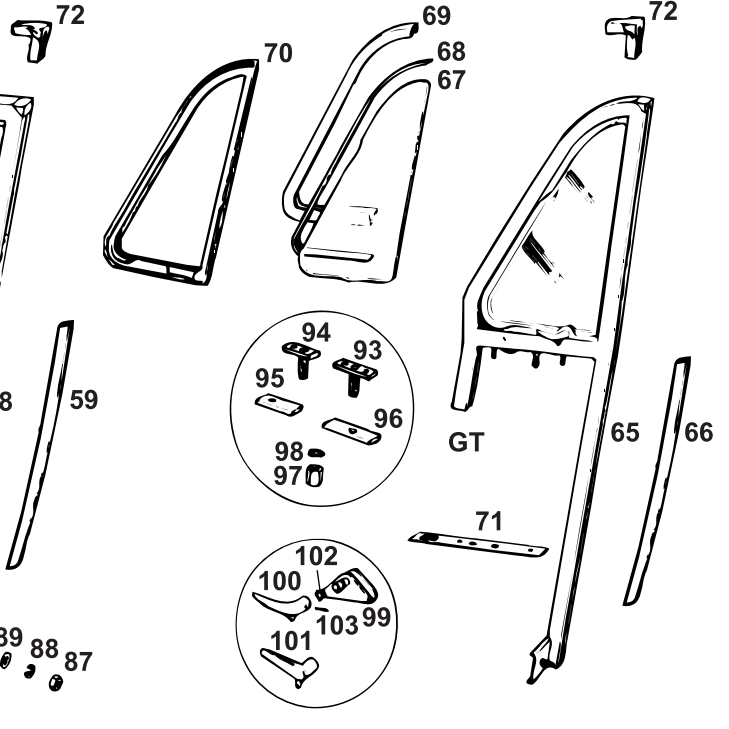
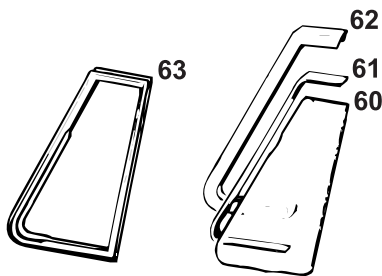
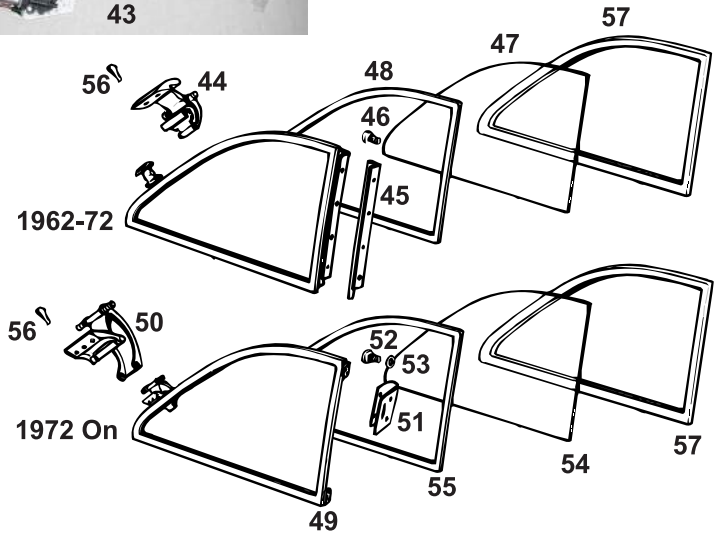
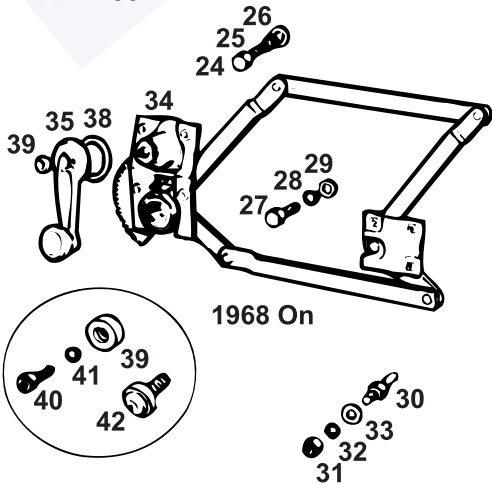
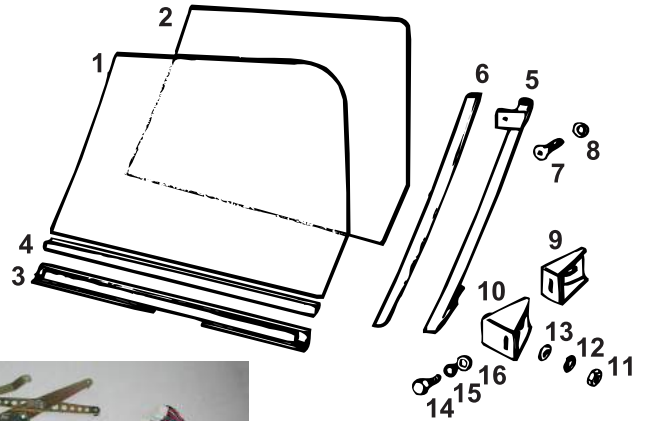
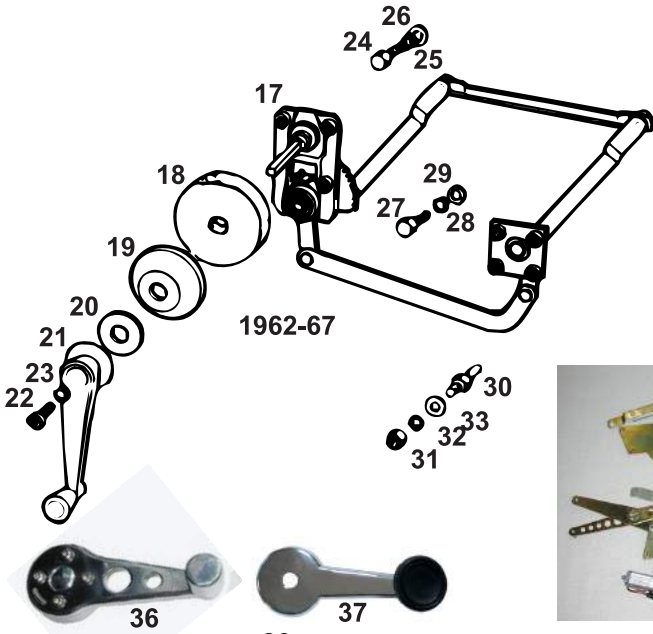
REAR QUARTER LIGHTS

WINDSCREEN & BACK LIGHT





MGB & GT 1800



© 2008 MGOC Spares Ltd

Telephone: 01954 230928 Fax: 01954 231923, Email: sales@mgocspares.co.uk



**MGB
& GT
1800**



1	AHH6380	Dropglass - RH	1	Roadster
1	AHH6381	Dropglass - LH	1	
1	AHH6380T	Dropglass - Tinted - RH	1	
1	AHH6381T	Dropglass - Tinted - LH	1	GT
2	AHH7415	Dropglass - RH	1	
2	AHH7416	Dropglass - LH	1	Optional on GT to Sept. 1976, standard thereafter
2	BHH311	Dropglass - Tinted - RH	1	
2	BHH312	Dropglass - Tinted - LH	1	
3	AHH8721	Channel - Lower	2	
4	37H4297	Glazing rubber - Lower channel	2	GHD4-146104 on
5	AHH8403	Channel - Dropglass - RH	1	
5	AHH8404	Channel - Dropglass - LH	1	
6	AHH8405	Channel seal	2	
7	SE604031	Screw	2	
8	WE600041	Washer - Shakeproof	2	
9	HZA678U	Bracket - Channel - Roadster - RH	1	
9	HZA679U	Bracket - Channel - Roadster - LH	1	
10	HZA678U	Bracket - Channel - GT - RH	1	
10	HZA679U	Bracket - Channel - GT - LH	1	
11	GHF200	Nut - Bracket to channel	2	
12	GHF331	Washer - Spring	2	
13	GHF300	Washer	2	
14	SH604041	Screw - Bracket to door	2	
15	GHF331	Washer - Spring	2	
16	GHF300	Washer	2	
Note: Cars up to GHN4, GHD4-146103 used different brackets secured by 2 sets of screws per bracket. These early brackets are no longer available and the doors should be drilled to accept the later brackets. All replacement doors require the later brackets. If refitting early brackets to early doors the fixings are as follows:				
	PMZ308	Screw	8	Early brackets to early doors - front and rear
	PWZ203	Washer	16	
	WL700101	Washer - Spring	8	
	GHF206	Nut	8	
17	HZA360	Regulator - RH	1	GHN3, GHD3 (3 synchromesh) cars. Pull handle type door (1962-64)
17	HZA361	Regulator - LH	1	
17	HZA2118	Regulator - RH	1	GHN3, GHD3 (3 synchromesh) cars. Push button type door (1965-67)
17	HZA2119	Regulator - LH	1	
18	HH6337	Pad - Handle	2	GHN3, GHD3 (3 synchromesh) cars 1962-67
19	AHH6336	Escutcheon - Handle	2	
20	ADA5669	Washer - Handle - Fibre	2	
21	34G2528	Handle - Winder	2	
22	ADH834	Screw	2	
23	WL700101	Washer - Spring	2	
24	SH604041	Screw - Regulator to door	4	
25	GHF331	Washer - Spring	4	Quantity reduced for HZA664/665 (1968 on type regulators)
26	PWZ204	Washer	4	
27	SH604031	Screw - Regulator compensator to door	4/3	
28	GHF331	Washer - Spring	4/3	GHN4/5, GHD4/5 (4 synchromesh) cars 1968 on
29	GHF300	Washer	4/3	
30	AHH7560	Stop - Regulator	2	
31	NT605041	Nut	2	
32	GHF332	Washer - Spring	2	
33	PWZ205	Washer	2	
34	HZA664	Regulator - RH	1	
34	HZA665	Regulator - LH	1	
35	CZA7109	Handle - Winder - Original black plastic	2	
36	CZA7109A	Handle - Winder - Alloy sports style	2	
37	CZA7109C	Handle - Winder - Chrome	2	GHN4/5, GHD4/5 (4 synchro) cars. Fitted to approximately 1974
38	CZA2279	Washer - Fibre	2	
39	CZA2367	Escutcheon	2	
40	PMP308	Screw	2	GHN4/5, GHD4/5 (4 synchro) cars. Use ZKC3317 as replacement if reqd
41	WL700101	Washer - Spring	2	
42	ZKC3317	Screw - Winder handle - Flanged	2	GHN4/5, GHD4/5 (4 synchro) cars. Fitted approximately 1974 on 1965-67 1968 on
43	F320	Electric windows kit	1	
43	F321	Electric windows kit	1	

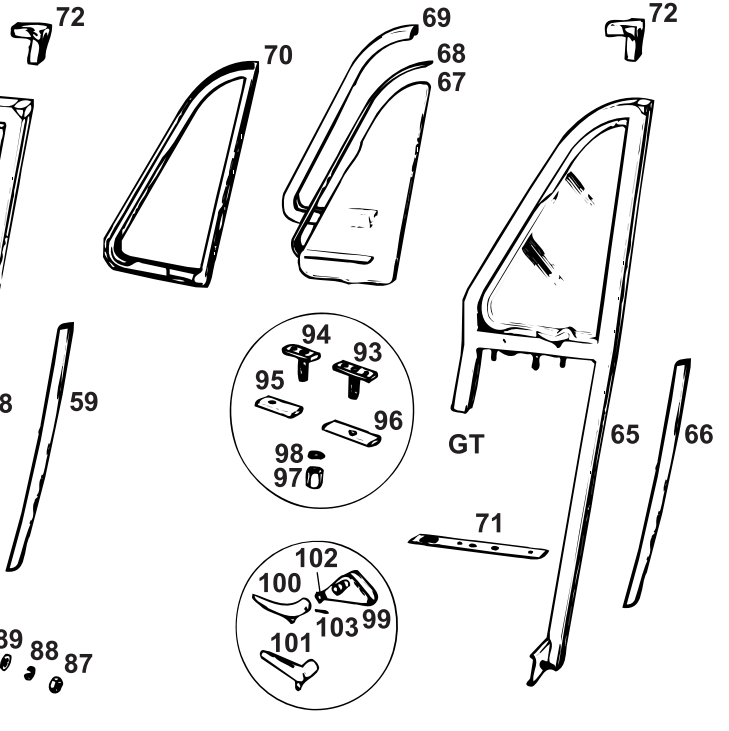
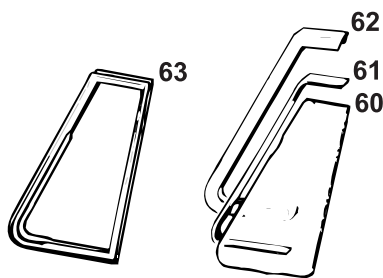
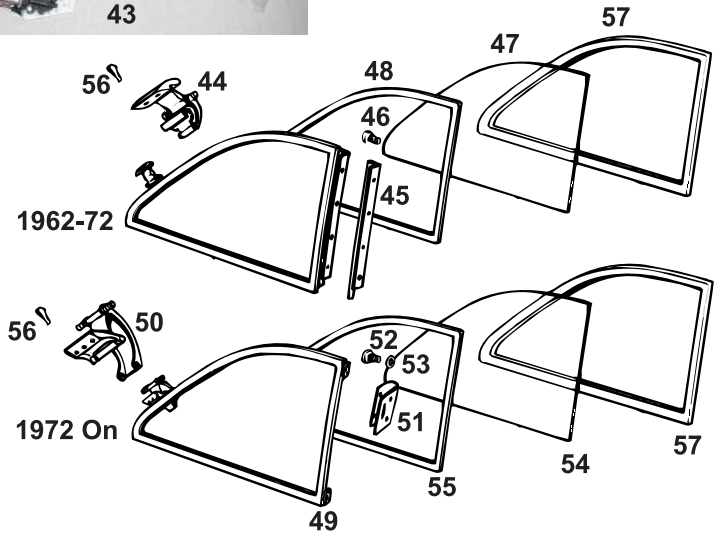
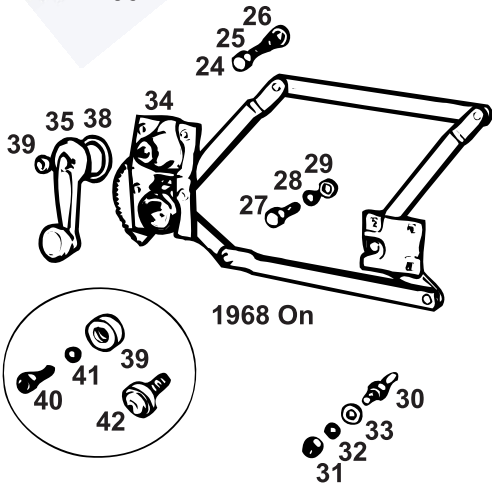
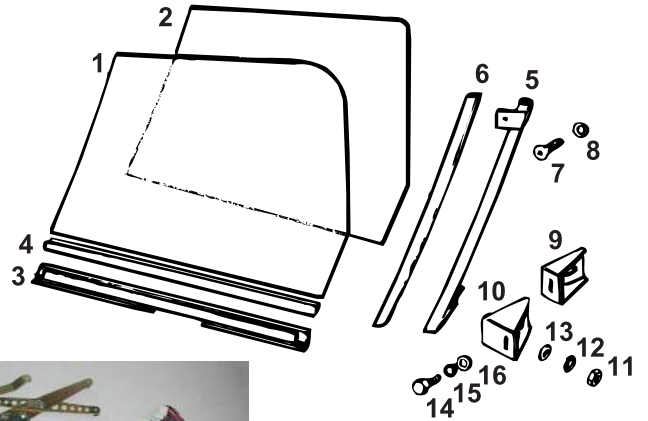
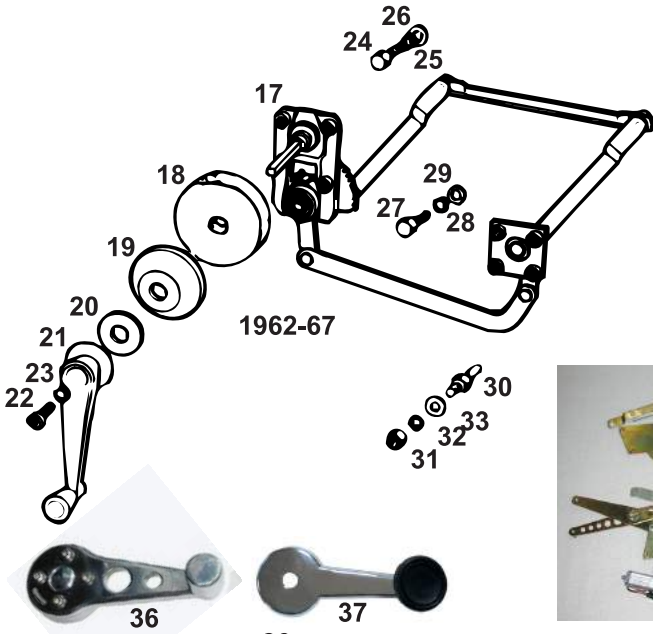
Smooth operating power window kit for all 1965 on (push button door handle) MGBs. Includes new, improved smoother action regulator mechanisms.

Telephone: 01954 230928 Fax: 01954 231923, Email: sales@mgocspares.co.uk

Buy Online at www.mgocspares.co.uk



MGB & GT 1800



© 2008 MGOC Spares Ltd

Telephone: 01954 230928 Fax: 01954 231923, Email: sales@mgocspares.co.uk

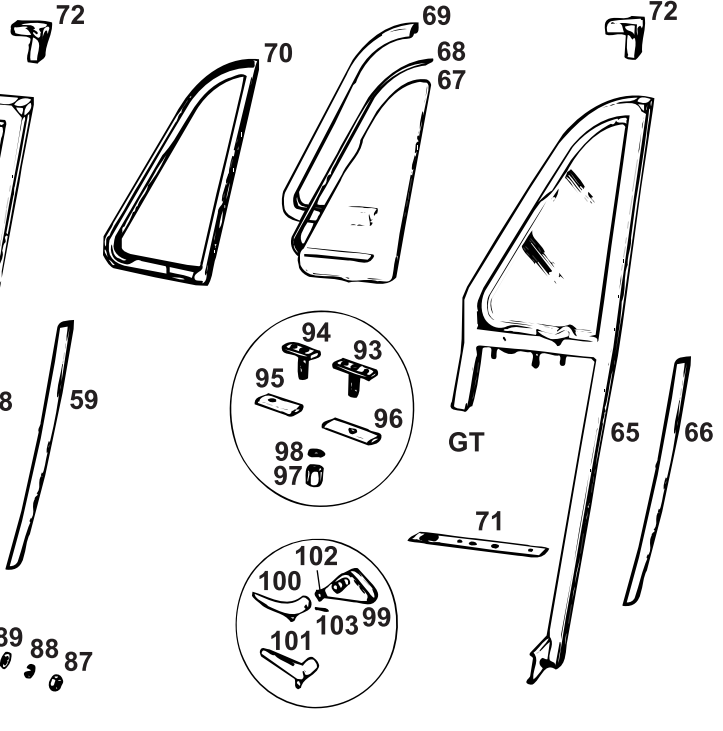
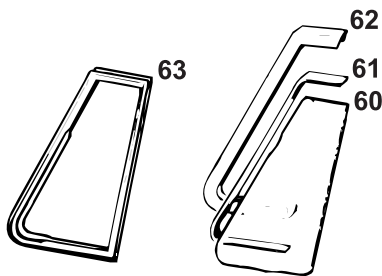
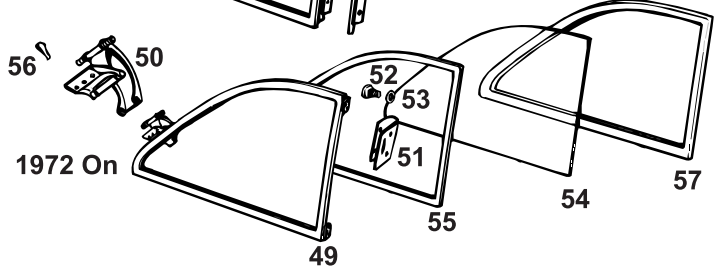
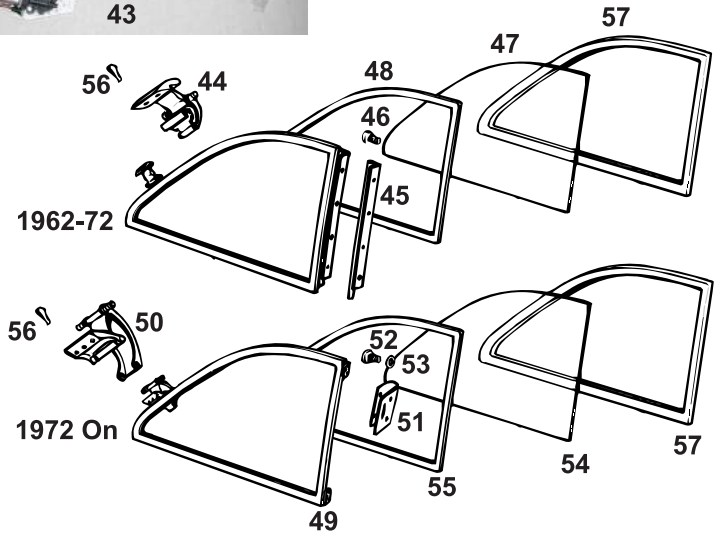
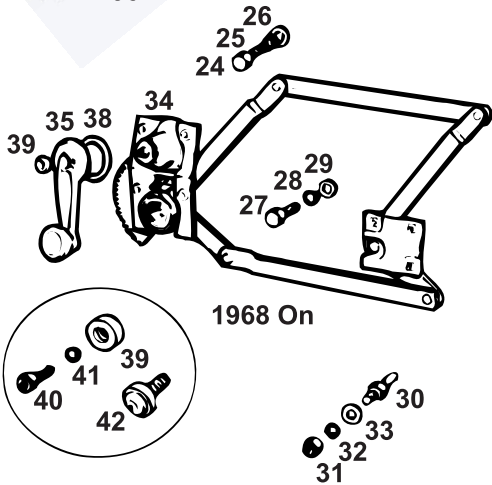
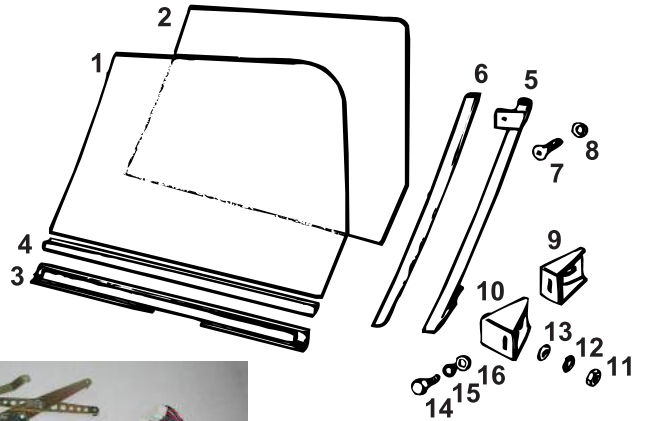
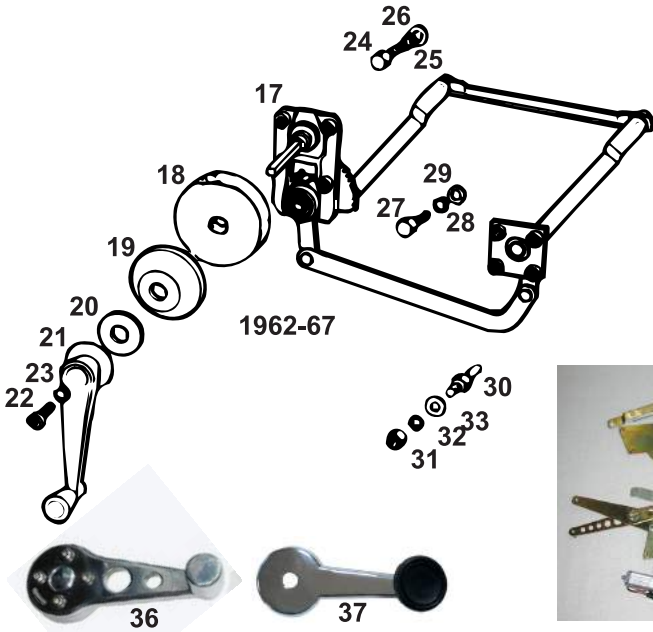
Parts Availability: Some quarter light components may not be currently available but are still included in the catalogue for reference purposes, or in anticipation that they may be reintroduced in future. These items may be identified by their absence or '0' pricing within our price look up program (please visit our website for price updates). In these circumstances customers should contact our spares team for advice - we will either provide an alternative or give second hand supplier sourcing information to MGOC members.

Note that the early type of GT rear quarter light assembly, fitted up to GHD5-286061, is now not available. For assemblies, please use the later type.

44	AHH9864	Catch - Toggle - RH	1	Fitted up to GHD5-286061
44	AHH9865	Catch - Toggle - LH	1	
45	AHH7510	Hinge - RH	1	
45	AHH7511	Hinge - LH	1	
46	AHH8164	Screw - Quarter light to body	8	
47	AHH7491	Glass - Quarter light - Plain - RH	1	
47	AHH7492	Glass - Quarter light - Plain - RH	1	
47	BHH309	Glass - Quarter light - Tinted - RH	1	
47	BHH310	Glass - Quarter light - Tinted - LH	1	
48	BHH582	Glazing rubber - Rear quarter light	2	
49	BHH570	Quarter light assembly - Plain - RH	1	GHD5-286062 on
49	BHH571	Quarter light assembly - Plain - LH	1	
49	BHH572	Quarter light assembly - Tinted - RH	1	GHD5-286062 on. Fitted as standard Sept. 1976 on
49	BHH573	Quarter light assembly - Tinted - LH	1	
50	BHH598	Catch - Toggle - RH	1	GHD5-286062 on
50	BHH599	Catch - Toggle - LH	1	
51	BHH698	Hinge - Quarter light	4	
52	PMZ306	Screw - Quarter light to body	4	
53	GHF306	Washer	4	
54	BHH576	Glass - Quarterlight - Plain - RH	1	
54	BHH577	Glass - Quarterlight - Plain - LH	1	
54	BHH574	Glass - Quarter light - Tinted - RH	1	
54	BHH575	Glass - Quarter light - Tinted - LH	1	
55	BHH582	Glazing rubber - Rear quarter light	2	
56	AD606053	Screw - Quarter light catch	4	Per metre. Fitted up to GHD5-295682
57	KGA817M	Seal - Rear quarter light - Furflex - Black A/R	1	
The original 'Furflex' seal used on earlier GTs is increasingly difficult to source - use later moulded seal if not available.				
57	KGA818	Seal - Rear quarter light - Black - RH	1	Moulded type; GHD5-295683 on
57	KGA819	Seal - Rear quarter light - Black - LH	1	
58	BHH706	Quarter light assembly - RH	1	Roadster; later stainless steel type (earlier version was chrome)
58	BHH707	Quarter light assembly - LH	1	
59	AHH7448	Channel seal - 1/4 light	2	Roadster
60	17H2517	Glass - Quarter light	2	Roadster; earlier chrome quarterlight type
60	BHH704	Glass - Quarter light - RH	1	Roadster; later stainless steel quarterlight type
60	BHH705	Glass - Quarter light - LH	1	
61	27H8705	Glazing rubber - Quarter light	2	Roadster
62	BHH702	Frame - Inner quarter light - RH	1	
62	BHH703	Frame - Inner quarter light - LH	1	
63	17H2505	Seal - Quarter light - RH	1	
63	17H2506	Seal - Quarter light - LH	1	
64	AHH7478	Seal - Quarter light to door - RH	1	
64	AHH7479	Seal - Quarter light to door - LH	1	
65	BHH756	Quarter light assembly - RH	1	
65	BHH757	Quarter light assembly - LH	1	
65	BHH760	Quarter light assembly - Tinted - RH	1	
65	BHH761	Quarter light assembly - Tinted - LH	1	
66	AHH7448	Channel seal - dropglass guide - 1/4 light	2	GT
67	BHH754	Glass - Quarter light - RH	1	
67	BHH755	Glass - Quarter light - LH	1	
67	BHH758	Glass - Quarter light - Tinted - RH	1	
67	BHH759	Glass - Quarter light - Tinted - LH	1	
68	27H8705	Glazing rubber - Quarter light	2	
69	BHH714	Frame - Inner quarter light - RH	1	
69	BHH715	Frame - Inner quarter light - LH	1	
70	AHH7435	Seal - Quarter light - RH	1	
70	AHH7436	Seal - Quarter light - LH	1	
71	AHH7529	Seal - Quarter light to door	2	Chrome frame
72	AHH8935	Corner block	2	
72	AHA9986	Corner block	2	Stainless steel frame
73	17H2509	Pivot - Top inner - RH	1	Roadster
73	17H2510	Pivot - Top inner - LH	1	
74	AHA9999	Rivet	4	Roadster; chrome frame
75	17H2498	Pivot - Top outer - RH	1	
75	17H2499	Pivot - Top outer - LH	1	
76	17H2500	Screw	4	Roadster; stainless steel frame
75	BHH708	Pivot - Top outer - RH	1	
75	BHH709	Pivot - Top outer - LH	1	
76	AHA9999	Rivet	4	
73	AHH7694	Pivot - Top inner - RH	1	GT
73	AHH7695	Pivot - Top inner - LH	1	
74	AHA9999	Rivet	4	



MGB
& GT
1800



© 2008 MGOC Spares Ltd

Telephone: 01954 230928 Fax: 01954 231923, Email: sales@mgocspares.co.uk



**MGB
& GT
1800**



75	AHH7696	Pivot - Top outer - RH	1	} GT; chrome frame
75	AHH7697	Pivot - Top outer - LH	1	
76	17H2500	Screw	4	} GT; stainless steel frame
75	BHH775	Pivot - Top outer - RH	1	
75	BHH776	Pivot - Top outer - LH	1	
76	AHA9999	Rivet	4	
77	AHH7520	Screw - Quarter light to door	4	
78	GHF332	Washer - Spring	4	
79	GHF301	Washer	4	
80	CFP1000	Blanking plug - Door	4	
81	17H2512	Pivot - Bottom	2	Roadster; chrome frame
81	BHH717	Pivot - Bottom	2	Roadster; stainless steel frame
81	AHH7691	Pivot - Bottom	2	GT; chrome frame
81	BHH716	Pivot - Bottom	2	GT; stainless steel frame
82	17H2518	Tube - Distance	2	Use with 17H2512 only
83	GHF300	Washer	4	
84	AHA7544	Spring	2	
85	GHF221	Nut - Self locking	2	
86	HZA678U	Bracket - Quarter light - RH	1	} See note below about brackets
86	HZA679U	Bracket - Quarter light - LH	1	
87	GHF200	Nut - Bracket to quarter light	2	
88	GHF331	Washer - Spring	2	
89	GHF300	Washer	2	
90	SH604041	Screw - Bracket to door	2	
91	GHF331	Washer - Spring	2	
92	GHF300	Washer	2	
Note: Cars up to GHN4, GHD4-146103 used different brackets secured by 2 sets of screws per bracket. These early brackets are no longer available and the doors should be drilled to accept the later brackets. All replacement doors require the later brackets. If refitting early brackets to early doors the fixings are as follows:				
	PMZ308	Screw	8	} Early brackets to early doors - front and rear
	PWZ203	Washer	16	
	WL700101	Washer - Spring	8	
	GHF206	Nut	8	
93	BRS101	Repair screw - Quarter light - Large	A/R	
94	BRS102	Repair screw - Quarter light - Small	A/R	
95	AHH7544	Reinforcement - Front	2	
96	AHH7514	Reinforcement - Rear	2	
97	AHH6343	Nut - Quarter light to door	4	
98	GHF331	Washer - Spring	4	
99	17H2513	Bracket - Handle (curved)	2	} Fitted up to 1969 approximately
100	AFH6532	Handle - Quarter light - Curved - RH	1	
100	AFH6533	Handle - Quarter light - Curved - LH	1	
99	37H2975	Bracket - Handle (straight)	2	} Fitted 1969 approximately on
101	AHA8446	Handle - Quarter light - Straight - RH	1	
101	AHA8447	Handle - Quarter light - Straight - LH	1	
102	AHA7473	Washer - Anti rattle	2	
103	AHA7474	Pin - Handle	2	

Maintaining chromework:

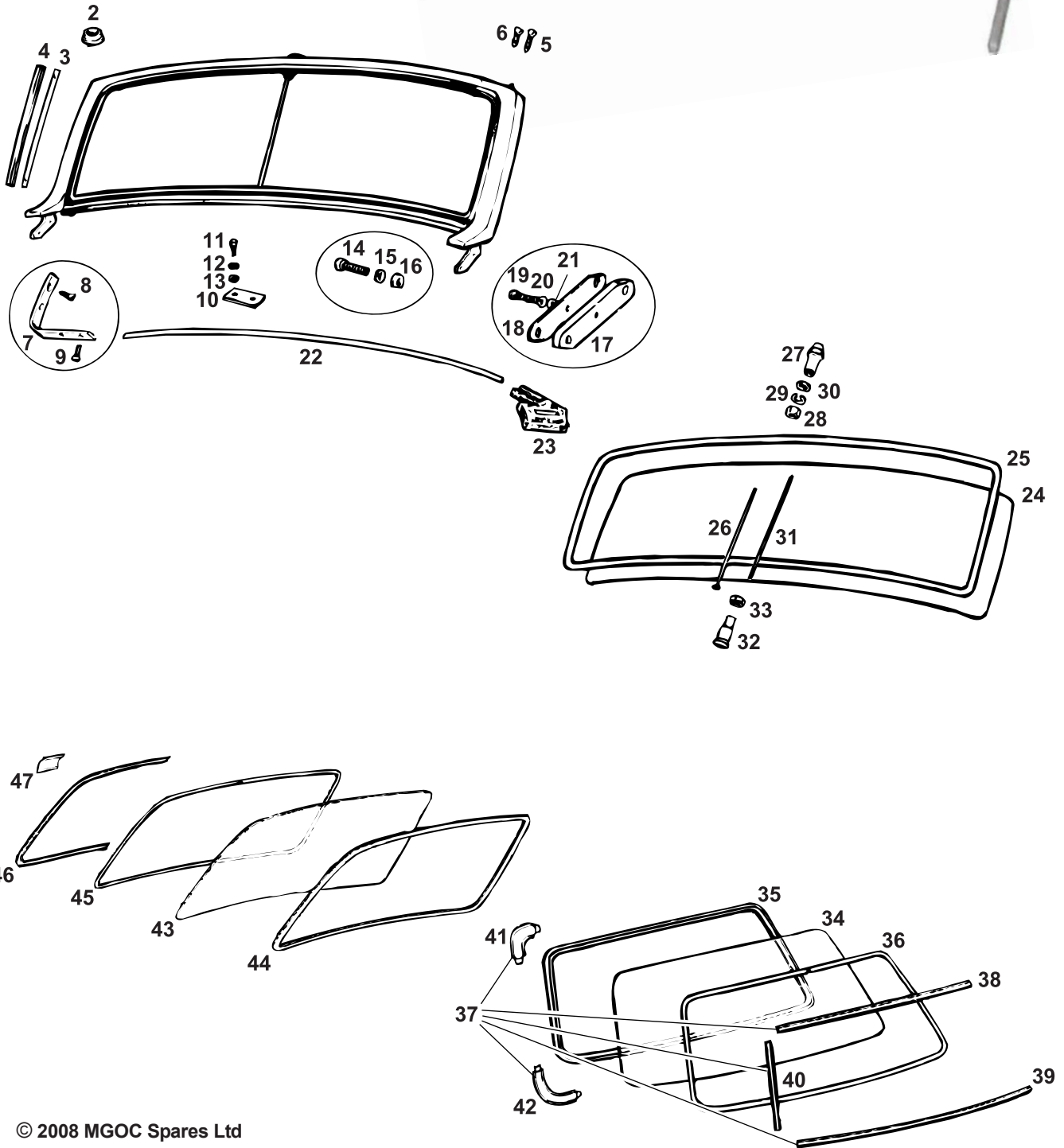
The Chromium Plating on all Club products is top quality and complies with BS1224 the industry standard for automotive products. To protect and preserve the chromium finish it is important that you apply Solvol Autochrome (A090) - BEFORE FITTING and re-apply at regular intervals. Wiping surfaces with a soft cloth soaked in Castrol DWF will also give excellent protection against corrosion in winter.

Telephone: 01954 230928 Fax: 01954 231923, Email: sales@mgocspares.co.uk

Buy Online at www.mgocspares.co.uk



MGB
& GT
1800



© 2008 MGOC Spares Ltd

Telephone: 01954 230928 Fax: 01954 231923, Email: sales@mgocspares.co.uk

1	AHH9314ACE	Windscreen assembly - STD - Clear	1	Roadster. Up to 1969
1	AHH9314AGE	Windscreen assembly - STD - Tinted	1	
1	AHH9314PCE	Windscreen assembly - Polished - Clear	1	
1	AHH9314PGE	Windscreen assembly - Polished - Tinted	1	Roadster. 1970 to 1975
1	HZA4997ACE	Windscreen assembly - STD - Clear	1	
1	HZA4997AGE	Windscreen assembly - STD - Tinted	1	
1	HZA4997PCE	Windscreen assembly - Polished - Clear	1	
1	HZA4997PGE	Windscreen assembly - Polished - Tinted	1	
1	BHH2671ACE	Windscreen assembly - STD - Clear	1	
1	BHH2671AGE	Windscreen assembly - STD - Tinted	1	
1	BHH2671PCE	Windscreen assembly - Polished - Clear	1	
1	BHH2671PGE	Windscreen assembly - Polished - Tinted	1	
Note: BHH2671 type windscreen assemblies may be used on earlier cars.				
2	ADB4811	Durable dot - Male - Screen pillar	2/4	Roadster. Quantity increased on rubber bumper cars
3	BHH2669	Retainer - Pillar seal	2	
4	27H4300	Seal - Pillar to quarter light	2	
5	CMP310	Screw - Windscreen frame - Long	2	
6	CMP308	Screw - Windscreen frame - Short	4	
7	AHH6394	Reinforcement - Corner - RH	1	
7	AHH6395	Reinforcement - Corner - LH	1	
8	CMZ307	Screw - Windscreen frame	4	
9	AHH6945	Screw - Windscreen frame	4	
10	AHH6392	Packing - Windscreen centre bracket	1	
11	HPP408	Screw - Chrome - Centre bracket to body	2	
12	GHF331	Washer - Spring	2	
13	PWP104	Washer - Chrome plated	2	
14	SH506101	Screw - Windscreen pillar to body	4	
15	GHF333	Washer - Spring	4	
16	AHH6393	Washer	4	
17	AHH6413	Packing - Windscreen pillar - Outer	2	
18	AHH6414	Packing - Windscreen pillar - Inner	2	
19	PMZ 316	Screw - Inner pillar packing to body	2	
20	WL700101	Washer - Spring	2	
21	PWZ203	Washer	2	
22	AHH7136	Seal - Frame to body	1	
23	AHH7068	Seal - Pillar - RH	1	
23	AHH7069	Seal - Pillar - LH	1	
24	HZA5415	Windscreen - RD	1	
24	HZA5415T	Windscreen - Tinted - RD	1	
25	HZA 5414	Glazing rubber - Windscreen	1	
26	AHH6411	Rod - Centre	1	
27	AHH6495	Nut - Domed	1	
28	FNP103	Nut - Chrome plated	1	
29	WL700101	Washer - Spring	1	
30	PWP203	Washer - Chrome plated	1	
31	AHH8750	Rod - Centre	1	
32	AHH8749	Nut - Rod to bottom bracket	1	
33	FNZ103	Nut	1	
34	AHH8228	Windscreen - Plain - GT	1	
34	BHH308	Windscreen - Tinted - GT - Optional	1	
35	AHH7404Z	Glazing rubber - Windscreen - Repro	1	
36	AHH7815	Filler strip	1	
37	AHH7425K	Windscreen finisher trim set - 8 pieces	1	
38	AHH7426	Screen finisher - Upper	1	
39	AHH7425	Screen finisher - Lower	1	
40	AHH7439X	Screen finisher - RH or LH	2	
41	AHH7423	Corner finisher - Upper	2	
42	AHH7424	Corner finisher - Lower	2	
43	AHH7394	Glass - Tailgate - Plain	1	
43	BHH529	Glass - Tailgate - Plain - Heated	1	
43	BHH313	Glass - Tailgate - Tinted - Optional	1	
43	BHH530	Glass - Tailgate - Tinted - Heated	1	
44	AHH7403Z	Glazing rubber - Tailgate - Repro	1	
45	AHH7815	Filler strip	1	
46	AHH7427	Tailgate finisher - RH	1	
46	AHH7428	Tailgate finisher - LH	1	
47	AHH7441	Clip - Finisher	2	
GT				

**Telephone: 01954 230928 Fax: 01954 231923, Email: sales@mgocspares.co.uk
Buy Online at www.mgocspares.co.uk**

INTERIOR:

DASH

DASH KITS & CENTRE CONSOLES

SEAT BELTS

SUN VISORS & HEADLINING

SEALS, CLIPS & FIXINGS

DOOR CAPPINGS

CLASSIC PANEL SETS

ORIGINAL STYLE PANEL SETS

ORIGINAL STYLE SEATS & COVERS

REPLACEMENT SEATS

REPLACEMENT SEAT COVERS

CARPET SETS & BOOT CARPETS

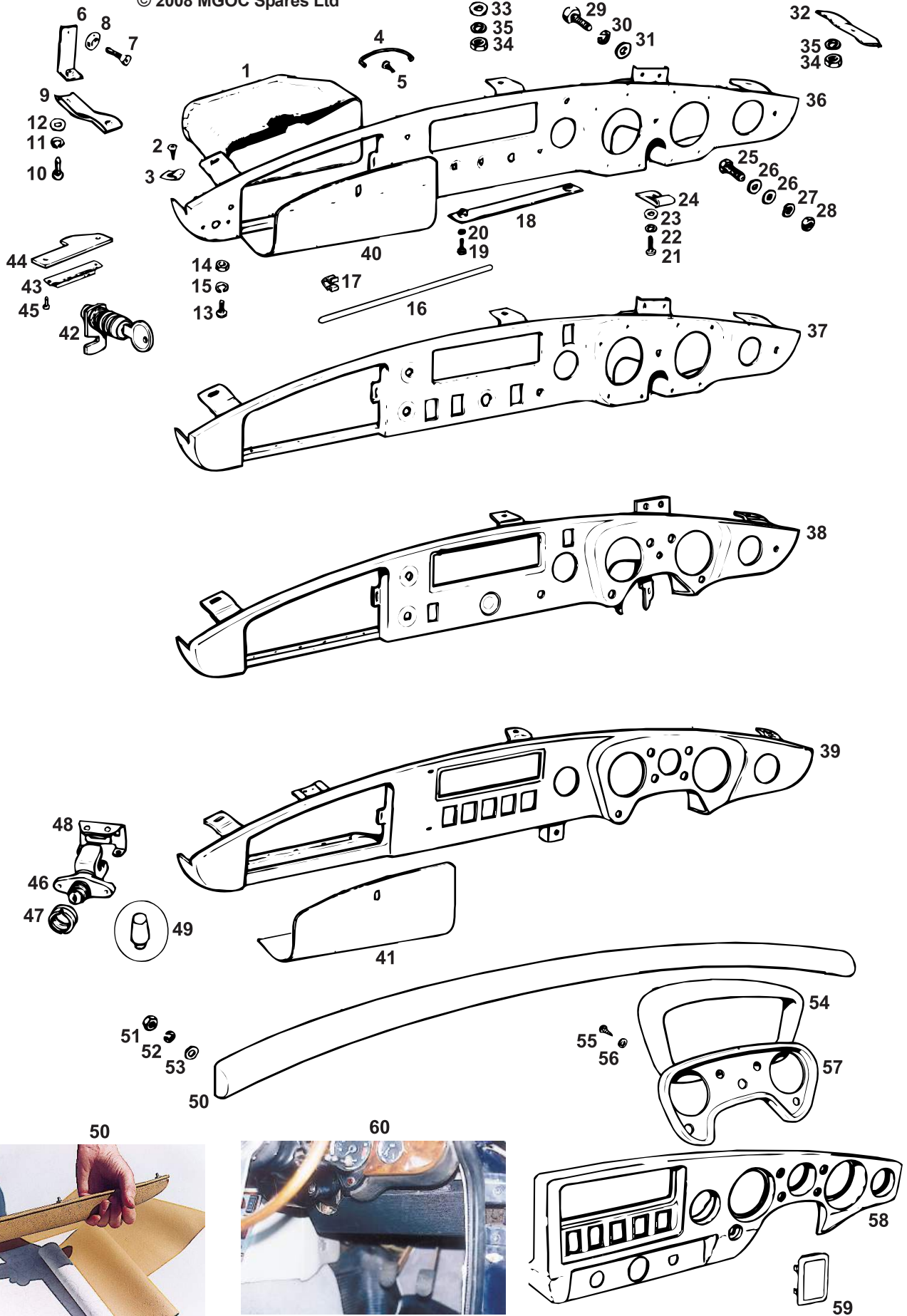




MGB
& GT
1800



© 2008 MGOC Spares Ltd





**MGB
& GT
1800**



1	AHH6338	Interior - Glovebox	1
2	AB606031	Screw	6
3	AK606021	Spire nut	6
4	AHH6329	Check rod - Glovebox lid	1
5	PMZ206	Screw - Rod to lid	1
6	HZA543	Bracket - Glovebox interior	1
7	RTP2804	Screw	1
8	FWP708	Washer - Cup	1
9	HZA545	Bracket - Glovebox steady	1
10	PMZ308	Screw	2
11	WL700101	Washer - Spring	2
12	GHF206	Washer	2
13	PMZ306	Screw - Glovebox lid to dashboard	4
14	GHF206	Nut	4
15	WL700101	Washer - Spring	4
16	BDH741	Finisher - Glovebox	1
17	14B934	Clip - Finisher	4
18	AHH6713	Plate - Fascia to body	1
19	SH604041	Screw - Fascia to body	2
20	GHF331	Washer - Spring	2

Up to Sept. 1976

Note: Use 1976 on fixings listed below on earlier cars if plate AHH6713 is not available.

21	GHF425	Screw - Fascia to body	2
22	GHF331	Washer - Spring	2
23	GHF300	Washer	2
24	GHF713	Spire nut	2
25	GHF120	Screw - Steering column bkt to crosstube	2
26	GHF301	Washer	4
27	GHF332	Washer - Spring	2
28	GHF201	Nut	2
29	GHF117	Screw - Fascia to body	2
30	GHF331	Washer - Spring	2
31	GHF300	Washer	2
32	AHH6293	Plate - Side mounting - Fascia to body	2
33	PWZ205	Washer - Centre mounting - Fascia to body	1
34	GHF201	Nut	3
35	GHF331	Washer - Spring	3
36	HZA452E	Dashboard - Reconditioned	1
36	HZA612E	Dashboard - Reconditioned	1
37	HZA4072E	Dashboard - Reconditioned	1
38	HZA4916E	Dashboard - Reconditioned	1
39	HZA5199E	Dashboard - Reconditioned	1

Sept. 1976 on

Chrome bumper cars

Up to Sept. 1976

GHN3, GHD3 with toggle light switch
GHN4/5, GHD4/5 to 258000 (push-pull light switch)
GHN5, GHD5 to finish of chrome bumper (rocker switches)
Rubber bumper to Sept. 1976
Sept. 1976 on

Note: Reconditioned dashboards are supplied with matching glovebox lids, on a one-for-one basis. Please note that charges will be made on dashes found to have additional holes. Please ensure that your old dash is completely stripped of original parts before sending it to us.

40	HZA455	Lid - Glove box	1
41	HZA5195	Lid - Glove box	1
42	AHH6331	Lock - Glovebox	1
43	AHH6292	Buffer - Glovebox lid	1
44	AHH6291	Catch - Glovebox lock	1
45	PMZ204	Screw - Catch and buffer	2
46	HZA5413	Lock - Glovebox	1
47	DZB3553	Bezel - Lock	1
48	HZA5367	Striker - Glovebox lock	1
49	14G9467	Buffer - Lid	2
50	R260 on	Crash rail assembly - Various colours	1

Up to Sept. 1976

Sept. 1976 on

Up to Sept. 1976

Sept. 1976 on

Trimmed rail, supplied with dash top vinyl, available in Black, Black with Red Piping, Black with White piping, Green, Brown, Red with Black piping, Red, Navy, Grey, Maroon, Magnolia or Biscuit. Special colours available on request.

50 R250 on Crash rail covering kit - Various colours . . . 1
DIY retrim kit, containing edged vinyl to recover crash roll and dashboard top, complete with foam and beading. Available in Black, Black with Red Piping, Black with White piping, Green, Brown, Red with Black piping, Red, Navy, Grey, Maroon, Magnolia or Biscuit. Special colours available on request.

51	GHF206	Nut - Crash roll	8
52	WL700101	Washer - Spring	8
53	GHF306	Washer	8
54	AHH6142	Hood - Instruments	1
55	AHH6164	Screw	8
56	PWZ102	Washer	8
57	HZA4708	Binnacle - Instruments	1
58	HZA5104	Moulding - Instruments	1
59	BHH533	Plug - Rocker switch	A/R
60	R248	Underdash panel	1
60	R249	Underdash panel	1

Chrome bumper

Rubber bumper up to Sept. 1976

Sept. 1976 on

Rocker switch type dashboard, up to Sept. 1976

RHD

LHD

For both MGB and GT models. Conceals unsightly wiring and makes an ideal mounting for extra dials or switches.



MGB
& GT
1800



1



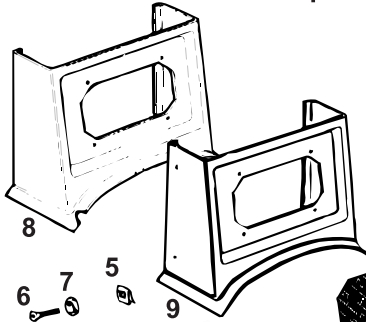
3



2



4



8

6

7

5

9



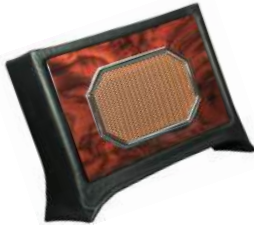
11

12

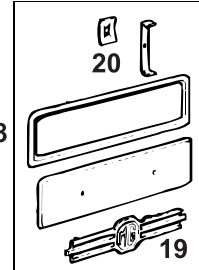
13

14

15



10



18

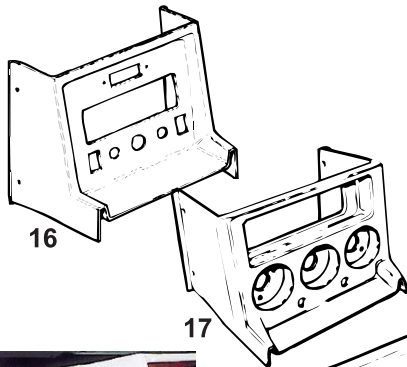
20



19



32



16

17

21



25



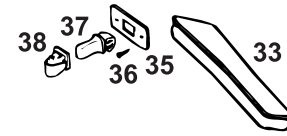
24



33



34



33

38

37

36

35



39

42

40

43

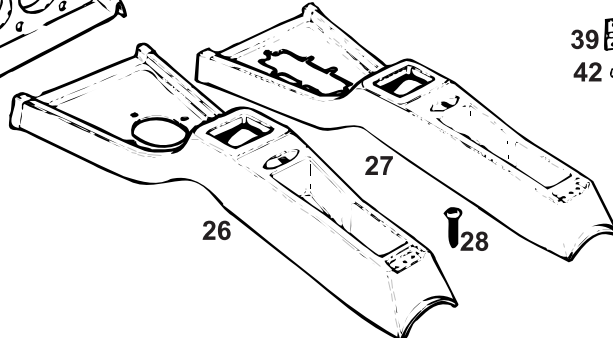
41



44



45



26

27

28



29



31



30



46



© 2008 MGOC Spares Ltd

Telephone: 01954 230928 Fax: 01954 231923, Email: sales@mgocspares.co.uk

1 S001 on Burr walnut dash kit 1

Each complete board is manufactured from hand-selected burr walnut veneer, to ensure consistent burr patterning throughout. All mounting holes are pre-drilled and antique finish screws provided, ready to lay over existing dash panel. A deep protective lacquer reflects the beauty of the burr wood pattern. For all MGB and GT models, both RHD and LHD.

2 S900 on Burr elm dash kit 1
3 S600 on Black burr walnut dash kit 1

The extensive range of Club dash boards has now been extended to include the beautiful swirls of burr elm and the dark patterning of black burr walnut.

4 S501 on Carbon fibre dash kit 1

The very latest medium for MG interiors. A constantly changing chequered pattern is created by light reflecting through the carbon fibre laminated weave, making the pattern appear alive beneath the surface. A polymer lacquer surface finish creates depth and sheen. Five piece matching set to cover dash, glove box lid and instrument panel. Available in pre-1968, 1969-71, 1971-74, 1975-76 and 1976 on styles, in RHD or LHD format.

5	GHF712	Spire nut 4
6	AD608053	Screw - Speaker box/console to body 4
7	FWP208	Washer - Cup 4
8	AHH6169	Speaker box 1
8	AHH6169FG	Speaker box - Fibreglass reproduction 1
9	AHC13	Speaker box 1
9	AHC13FG	Speaker box - Fibreglass reproduction 1
10	R218 on	Speaker box - Leather trimmed 1
11	AHH6753	Grille - Speaker 1
12	AHH6742	Bezel - Speaker box 1
13	CNZ102	Nut 4
14	WL700061	Washer - Spring 4
15	PWZ202	Washer 4
16	BHH473	Console - Radio 1
17	HZA5102	Console - Radio 1
18	ARH59A	Radio blanking kit 1
19	AHH5258	Badge 1
20	ADB509	Push on fix 2
21	HZA5110	Radio blanking plate 1
22	AHH 7061	Ashtray 1
23	GHF422	Screw 4
24	HZA 5390	Ashtray 1
25	HZA5390C	Ashtray - Chrome 1
26	BHH467	Console - Tunnel 1
27	BHH468	Console - Tunnel 1
28	AB608081	Screw - Console 2
29	R230on	Console - Leather with leather panels 1

GHN3, GHD3 (3 Synchro)
GHN4/5, GHD4/5 to 258000 (4 Synchro)
GHN4/5, GHD4/5 to 258000 (4 Synchro). Choice of colours available
Suits AHH6169 and AHC13 speaker boxes
GHN5, GHD5 - 258001 to Sept. 1976
Sept. 1976 on
Up to Sept. 1976
1976 on
When centre console not fitted
When centre console fitted
Manual transmission; GHN5, GHD5 - 258001 on
Automatic transmission; GHN5, GHD5 - 258001 on
Choice of 1968 to 1976, or 1976 on styles

Club design in beautifully crafted and hand-finished leather. Choose from Black, Biscuit, Navy, Brown, Magnolia, Grey, Red, Green or Grenadine.

30 R220 on Console - Leather and walnut 1
30 R235 on Console - Leather and black walnut 1

Choice of 1968 to 1976, or 1976 on styles

Complementing the walnut dash kits are these centre consoles, trimmed as above in luxurious leather with walnut inserts. Choose from Black, Biscuit, Navy, Brown, Magnolia, Grey, Red, Green or Grenadine leather.

31 R225 on Console - Leather and carbon fibre 1

Choice of 1968 to 1976, or 1976 on styles

Leather consoles in Black, Biscuit, Navy, Magnolia, Grey, Red, or Grenadine leather, fitted with carbon fibre facings to match the dash kits.

32 R215 on Arm rest console base - Leather 1

Designed for earlier MGBs (up to 1971) fitted with a speaker box rather than full length console. Colours available include Black, Biscuit, Navy, Brown, Magnolia, Grey, Red or Grenadine.

33	R200 on	Arm rest - Vinyl 1
34	R210 on	Arm rest - Leather 1
34	R211 on	Arm rest - Padded leather 1

Luxury alternative

Replace that tatty console armrest with a new one from our range trimmed in original style vinyl, luxury leather or padded leather. Exhaustive choice of colours available, many with contrasting piping.

35	ACP101	Plate - Armrest catch 1
36	GHF421	Screw 2
37	13H7468	Striker - Armrest 1
38	346140A	Catch - Armrest 1
39	CHC 101	Hinge - Armrest 1
40	GHF 400	Screw - Hinge to armrest 3
41	CMZ 204	Screw - Hinge to console 3
42	CHP 101	Plate - Hinge console screw 1
43	ARK1	Fitting kit - Arm rest console 1
43	ARK2	Fitting kit - Arm rest console 1
44	S040 on	Walnut console panels A/R

For original consoles
For fibreglass consoles

Luxury walnut panels ready to fit to speaker boxes (pre-1972 models), radio consoles and centre consoles, both leather trimmed and standard plastic.



MGB
& GT
1800



1



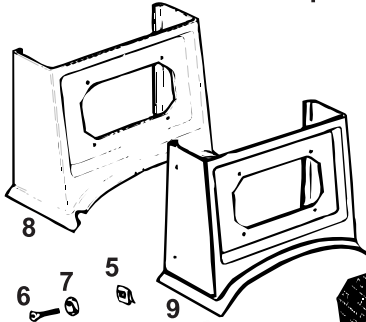
3



2



4



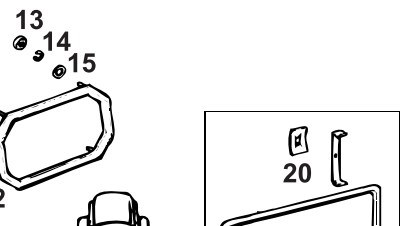
8

6

7

5

9



13

14

15



11



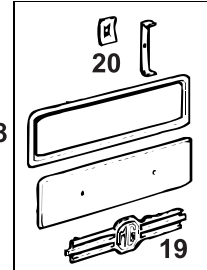
12

23

22

23

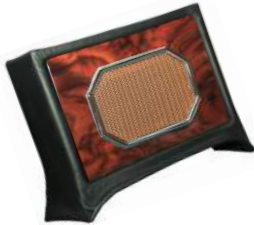
18



20

21

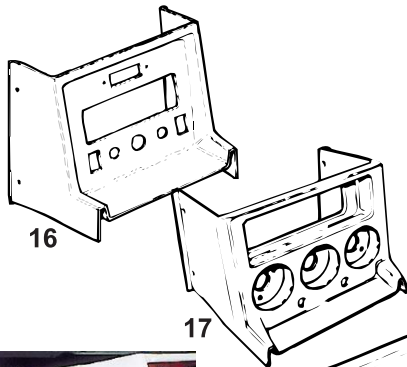
19



10



32



16

17



25



33



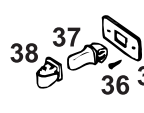
34



21



24

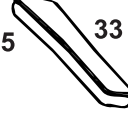


38

37

36

35



33

39

42

40

43

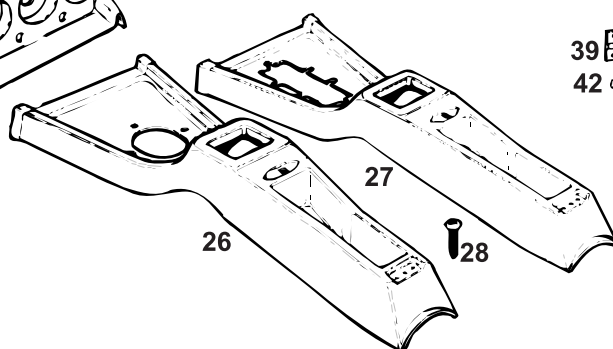
41



44



45



26

27

28



44



29



31



30



31



46

© 2008 MGOC Spares Ltd

Telephone: 01954 230928 Fax: 01954 231923, Email: sales@mgocspares.co.uk



**MGB
& GT
1800**



45 R240 on Console Extension Panels 1

Making a deeper feature of the centre console, while additionally closing off an unsightly area of the footwells, these leather-trimmed extension panels may be specified with or without footwell courtesy lights. Available in Black, Green, Brown, Red, Navy, Grey, Magnolia or Biscuit. Other colours may be specially ordered on request.

46 R290 on Gear lever gaiter - Leather 1

Choose from Black, Biscuit, Navy, Brown, Magnolia, Grey, Red, Green or Grenadine.

**Telephone: 01954 230928 Fax: 01954 231923, Email: sales@mgocspares.co.uk
Buy Online at www.mgocspares.co.uk**



MGB
& GT
1800



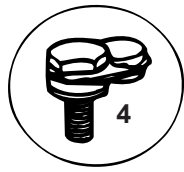
1



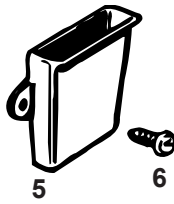
2



3



4



5



7



8



9



10



11



13



14



15



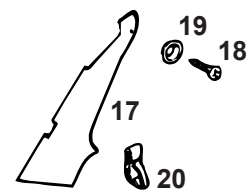
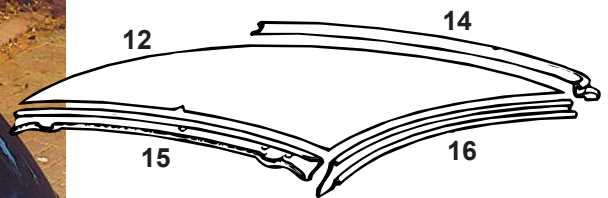
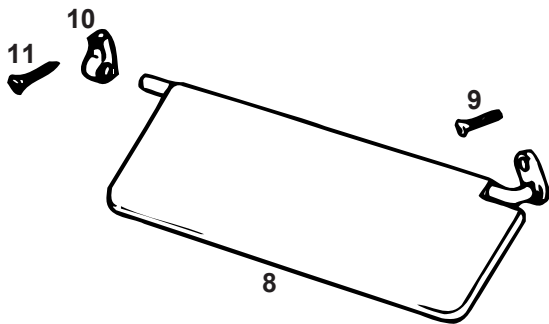
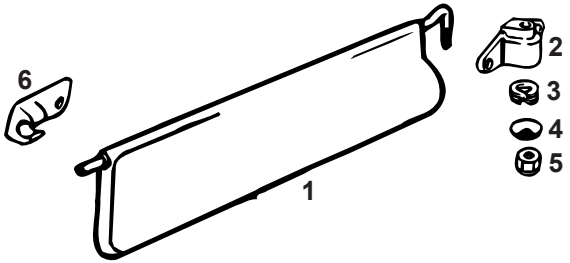
12

© 2008 MGOC Spares Ltd

Telephone: 01954 230928 Fax: 01954 231923, Email: sales@mgocspares.co.uk

- 1 M061 Inertia seat belt2 Roadster and GT
Homologated specifically for MG installations, this Club belt provides smooth and comfortable operating action.
- 2 M080 Inertia seat belt fitting kit1 Roadster
Includes all brackets, spacers, reinforcements and fixings to mount a pair of Club belts in an MGB roadster.
- 3 M085 Bracket kit - seat belt1 GT
Includes two brackets to mount a pair of Club belts in an MGB GT.
- 4 SBC001 Seat belt mounting - Pair1
5 BHH938 Catch - Seat belt parking2 Original fitment seat belts, up to 1977
6 GHF426 Screw4
7 BHA5236 Catch - Seat belt parking2 Original fitment seat belts from 1977 on
8 GHF422 Screw2
9 M075 Securon static seat belt2
Replacement Securon seat belt, for use where static belts are required or preferred.
- 10 M070 Securon inertia belt - Includes fittings2
Securon adjustable sensitivity inertia reel belt. Includes mounting brackets.
- 11 M055 Securon four point harness - Red2
12 M050 Securon three point harness - Red2
Eye-catching red three or four point harness, specially designed for competition use.
- M095 Seat belt pads - Pair - MG logo A/R Not illustrated
Designed to make static belts and multi-point harnesses more comfortable.
- 13 M056D Threaded plates and nuts - Pair1
14 M056E Eyebolts - Pair1
For non-standard seat belt installations such as the three and four point harnesses.
- 15 M099 Comfi-Clips - Pair1
Suitable for all inertia reel belts, Comfi-Clips relieve belt tension while still allowing movement without re-adjusting. In sports cars particularly they stop seat belts from rubbing against the neck.

**Telephone: 01954 230928 Fax: 01954 231923, Email: sales@mgocspares.co.uk
Buy Online at www.mgocspares.co.uk**





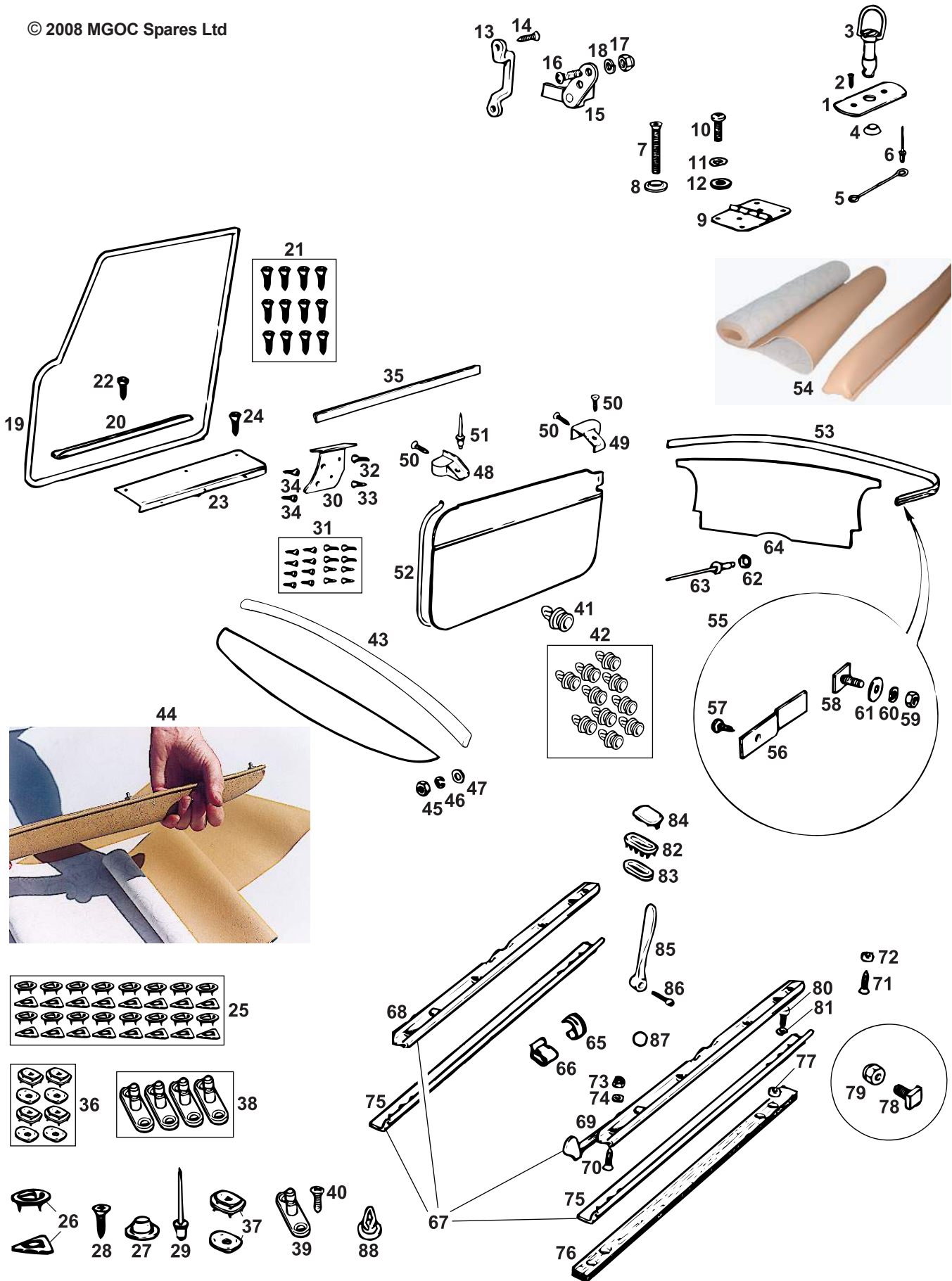
**MGB
& GT
1800**



1	BHH2166	Sun visor - RH	1	}	
1	BHH2169	Sun visor - LH	1		
2	HZA5101	Pivot - Sun visor	2	}	Roadster (standard fitment Sept. 1976 on)
3	AJD7721	Washer - Double coil	2		
4	AHH8799	Washer - Cup	2		
5	GHF220	Nut - Self locking	2		
6	AHH9838	Clip	2	}	Roadster
7	SVK1	Sun visor kit - Complete - RHD	1		
7	SVK1L	Sun visor kit - Complete - LHD	1	}	GT, up to Sept. 1976
8	BHH1406	Sun visor - Grey	2		
9	RMP310	Screw	2		
10	AHH9251	Clip - Sun visor	2	}	GT, Sept. 1976 on
11	AD606053	Screw	2		
8	44E5284	Sun visor - Grey/black - RH - RHD	1	}	GT, Sept. 1976 on
8	44E5285	Sun visor - Grey/black - LH - RHD	1		
9	AB608051	Screw	2		
10	DZB3870	Clip - Sun visor	2	}	GT
11	GHF423	Screw	4		
12	AHH9537	Headlining - Grey	1	}	GT
13	RL1	Rooflining recovering kit	1		
14	AHH9512	Finisher - Windscreen - Grey	1		
15	X2J2905	Finisher - Rear roof - Grey	1		
16	AHH9514	Liner - Cant rail - RH - Grey	1	}	GT, up to Sept. 1976
16	AHH9515	Liner - Cant rail - LH - Grey	1		
17	CP45	'C' Post liner - Pair - Grey	1	}	GT, Sept. 1976 on
17	CP46	'C' Post liner - Pair - Grey/Black	1		
18	AD606053	Screw - Chrome plated	2	}	GT
19	FWP906	Washer - Cup	2		
20	ADU4235	Clip - C post liners and rear roof liner	A/R		

**Telephone: 01954 230928 Fax: 01954 231923, Email: sales@mgocspares.co.uk
Buy Online at www.mgocspares.co.uk**

© 2008 MGOC Spares Ltd





**MGB
& GT
1800**



1	AHH7552	Plate - Dzus fastener	2	}	GT
2	AB606031	Screw	4		
3	BHA4537	Dzus fastener - Tailboard	2	}	GT, up to 1973
4	BHA4538	Retainer - Dzus fastener	2		
5	BHA4539	Spring clip - Dzus	2		
6	GHF600	Pop rivet	4		
7	SF604101	Screw	6		
8	ACA5374	Washer - Cup	6	}	GT, 1973 on
9	AHH7527	Hinge - Tailboard and rear seat	6		
10	PMZ308	Screw	36	}	GT
11	WL700101	Washer - Spring	36		
9	BHH976	Hinge	2		
10	SE604041	Screw - Hinge to body	4	}	GT to 1972 approx.
11	GHF331	Washer - Spring	4		
10	PMZ308	Screw - Hinge to tailboard and seat back	12		
11	WL700101	Washer - Spring	12		
12	GHF306	Washer	12	}	GT 1972 approx. on
13	AHH7770	Hoop - Rear seat retaining	2		
14	AD608053	Screw	4	}	GT
15	AHH7740	Catch - Rear seat	2		
16	PMZ308	Screw	4		
17	14B7889	Nut - Dome	4	}	GT
18	WL700101	Washer - Spring	4		
19	KGA817M	Door seal - Furlflex - Black - Per metre	A/R	}	GT to 1972 approx.
19	KGM817M	Door seal - Furlflex - Red - Per metre	A/R		
19	KGA820	Door seal - Black - Moulded	2		
19	XGA7927M	Door seal - Black - Plastic - Per metre	A/R		GT

XGA7927 is a lower cost option than KGA820. Plastic door seal will fit all years. All door seals with suffix 'M' are sold per metre, while KGA820 is constructed to the correct length, including a heat-welded mitred corner.

20	K007A	Strip - Door seal retainer	2
21	K008	Fitting kit - Door seal retainer strip	1
22	AB606031	Screw	12
23	K012	Threshold plate - Original style	2

For accessory threshold plate range, please see the Threshold Plates, Sill Covers and Body Mouldings section.

24	AB606021	Screw	12	}	Roadster GT
25	N038	Carpet clip set - 16 pairs	A/R		
26	2H8445	Carpet clip	A/R	}	
27	ADB4811	Durable dot - Male	A/R		
28	AC606051	Screw	A/R		
29	GHF600	Pop rivet	A/R		
30	AHH6422/5	Door capping brackets - Set of 4	1		
30	AHH7844/7	Door capping brackets - Set of 4	1		
31	P130	Screw kit - Door capping	1		
32	CMZ310	Screw - Finisher to capping	4		
33	GHF402	Screw - Finisher to capping	4		
34	AD608033	Screw - Finisher to door - Chrome	8		
35	AHH7848U	Drop glass seal - Inner	2		
36	Y009	Fastener set - Lift the dot - 4 pieces	A/R		
37	LFS100S	Fastener - Lift the dot	A/R		
38	Y008	Peg set - Lift the dot - 4 pieces	A/R		
39	LFP116	Peg - Lift the dot	A/R		
40	AD606043	Screw	A/R		
41	GHF1222	Clip - Door liner	26		
42	Y020	Crash rail assembly - Pack of ten	A/R		
43	R260 on	Crash rail assembly - Various colours	1		

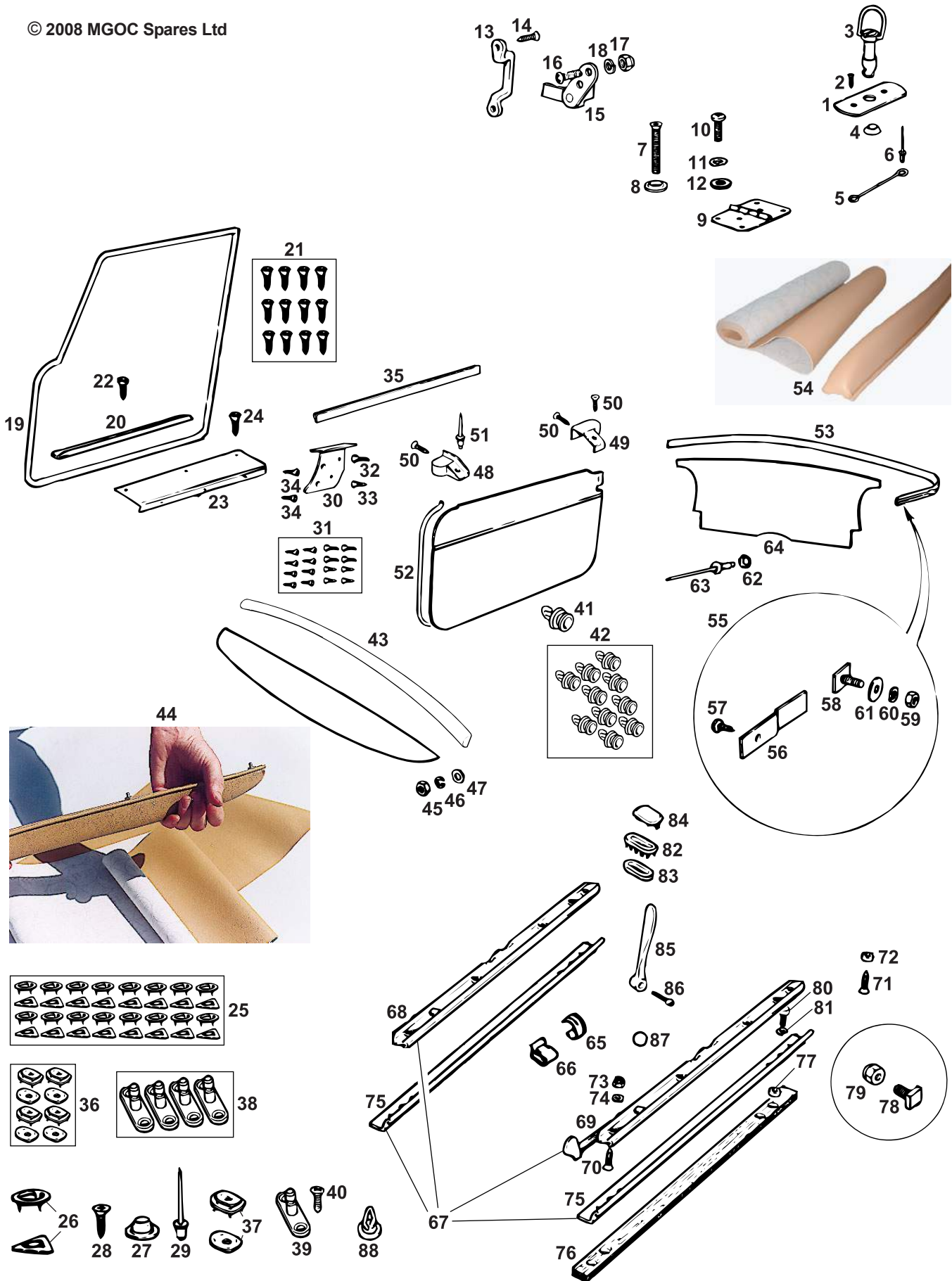
Trimmed rail, supplied with dash top vinyl, available in Black, Black with Red Piping, Black with White piping, Green, Brown, Red with Black piping, Red, Navy, Grey, Maroon, Magnolia or Biscuit. Special colours available on request.

44	R250 on	Crash rail covering kit - Various colours	1
----	---------	---	---

DIY retrim kit, containing edged vinyl to recover crash roll and dashboard top, complete with foam and beading. Available in Black, Black with Red Piping, Black with White piping, Green, Brown, Red with Black piping, Red, Navy, Grey, Maroon, Magnolia or Biscuit. Special colours available on request.

45	GHF206	Nut - Crash roll	8	}	Roadster
46	WL700101	Washer - Spring	8		
47	GHF306	Washer	8		
48	AHH6270	Finisher - Door seal - Front RH	1		
48	AHH6271	Finisher - Door seal - Front LH	1		
49	AHH6323	Finisher - Door seal - Rear RH	1		
49	AHH6324	Finisher - Door seal - Rear LH	1		
50	AC606043	Screw	6		
51	GHF600	Pop rivet	2		
52	KGA817M	Door seal - Furlflex - Black - Per metre	A/R		
52	KGM817M	Door seal - Furlflex - Red - Per metre	A/R		
52	XGA7927M	Door seal - Plastic - Black - Per metre	A/R		
53	AHH6416	Cockpit rail - Not trimmed	1		

© 2008 MGOC Spares Ltd





**MGB
& GT
1800**



54 RC140AA Cockpit rail covering kit - Black 1 Roadster. Fine grain; suitable for GHN3/4 cars
 54 R270AA Cockpit rail covering kit - Black 1 Roadster; coarse grain; suitable for GHN5 cars
 54 R270 on Cockpit rail covering kit - Various colours .. 1 Roadster
 DIY retrim kit. Available in Black, Black with Red Piping, Black with White piping, Green, Brown, Red with Black piping, Red, Navy, Grey, Maroon, Magnolia or Biscuit. Special colours available on request.

55	AHH6416FK	Fitting kit - cockpit rail 1	Roadster
56	AHH6418	Plate - Cockpit rail end 2	
57	AB608031	Screw 2	
58	AHH6417	Stud plate - Cockpit rail 9	
59	GHF206	Nut 9	
60	WL700101	Washer - Spring 9	
61	PWZ203	Washer 9	
62	FWP906	Washer - Cup 8	
63	GHF600	Pop rivet 8	
64	CP136 on	Rear cockpit panel - Various colours 1	
65	BHA4339	Seat clip - 3/4" tube 74	Non-reclining seats
65	MSC101	Seat clip - 7/8" tube 32	
65	MSC102	Seat clip - 1 1/4" tube 4	Reclining seats
66	GHF1500	Seat clip - Edge type 8	
67	BHH687K	Seat slide set - RH Seat - 4 pieces 1	Quantity reduced for reclining seats
67	BHH688K	Seat slide set - LH Seat - 4 pieces 1	
68	BHH719	Seat slide - Without catch 2	
69	BHH687	Seat slide - With catch - RH Seat 1	
69	BHH688	Seat slide - With catch - LH Seat 1	
70	SF604101	Screw 16/14	
71	SE604121	Screw - Long - Rear of slide with catch 2	
72	12H1062	Spacer - Rear of slide with catch 2	
73	GHF221	Nut - Self locking 16	
74	GHF300	Washer 16	
75	BHH741	Seat runner - RH 2	Reclining seats
75	BHH742	Seat runner - LH 2	
76	SRS101	Support - Seat runner - Wood 4	Rear of outer runner, limiting rearward movement (reclining seats only)
77	AHH6939	Spacer - Seat runner 8	
78	AHH8893	Stud - Seat runner 2	
79	53K1420	Nut - Self locking 2	
80	GHF117	Screw 8	
81	GHF321	Washer - Shakeproof 8	
82	CZA4500	Eyelet - Head restraint hole 2	
83	CZA4263	Washer - Head restraint hole 2	
84	BHA4985	Plug - Head restraint - Black 2	
85	24B4057	Handle - Reclining 2	
86	54K205	Screw 2	All reclining seats
87	HZA5076	Knob - Seat back release 2	
88	GHF1054	Button - Carpet retainer 2	

**Telephone: 01954 230928 Fax: 01954 231923, Email: sales@mgocspares.co.uk
 Buy Online at www.mgocspares.co.uk**



MGB
& GT
1800



1



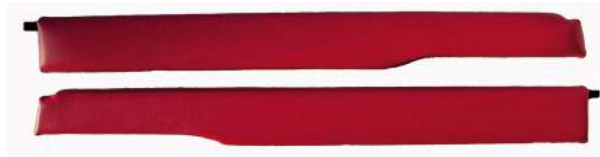
3



1



4



2



5



6



5



7



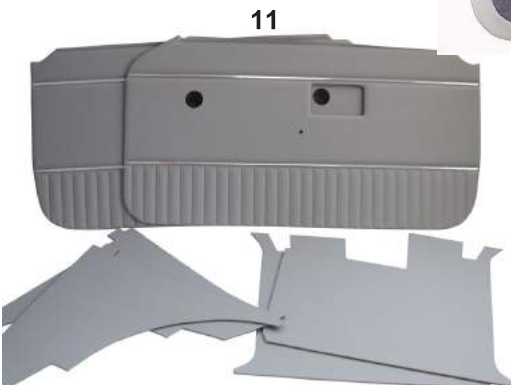
8



9



10



11



12

© 2008 MGOC Spares Ltd

Telephone: 01954 230928 Fax: 01954 231923, Email: sales@mgocspares.co.uk

- 1 P060 on Vinyl door capping set 1
 2 P090 on Leather door capping set 1

Roadster and GT sets available, in wide choice of standard and Club special colours to match interior trim kits. Roadster sets include door cappings, GT sets also include rear quarter cappings. In vinyl or sumptuous leather.

- 3 S020 on Burr walnut door capping set 1

Genuine burr walnut matched sets for MGB and GT. Supplied as pair for roadsters or full set of four for GT.

- 3 S920 on Burr elm door capping set 1

- 3 S620 on Black burr walnut door capping set 1

The extensive range of Club door cappings has now been extended to include the beautiful swirls of burr elm and the dark patterning of black burr walnut.

- 4 S520 on Carbon fibre door cappings - Pair 1

The very latest medium for MG interiors. A constantly changing chequered pattern is created by light reflecting through the carbon fibre laminated weave, making the pattern appear alive beneath the surface. A polymer lacquer surface finish creates depth and sheen. Supplied as pair for roadsters or full set of four for GT.

- 5 AHH6422/5 Door capping brackets set 1 Roadster

- 5 AHH7844/7 Door capping bracket set 1 GT

- 6 P130 Fitting kit - Door cappings 1

- 7 TSK102 Trim screw kit - Chrome 1

- 8 TSK101 Trim screw kit - Black 1

- 8 TSK201 Trim screw kit - Black 1

} Roadster

- 9 Y020 Door panel clips - Pack of ten A/R

- 10 P004 on Club panel set 1 Roadster and GT versions, 1970 on

Exclusive Club design eight piece MGB and nine piece GT sets feature carpeted lower section (tailored around door seal), winder handle or electric window facility, plus a wide choice of colours (see opposite) with contrasting piping if desired.

- 11 P040 on Classic panel set 1

- 12 P051 on Leather classic panel set 1

} Roadster and GT versions, 1970 on

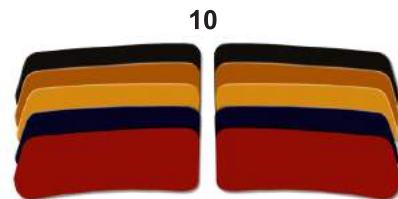
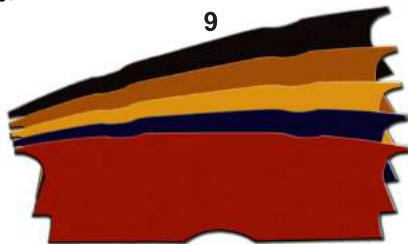
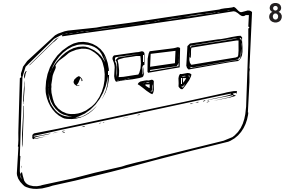
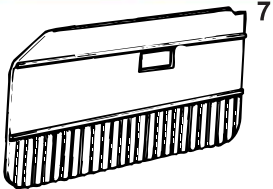
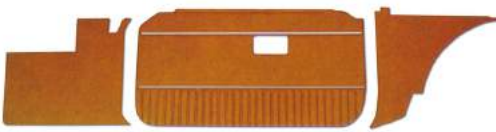
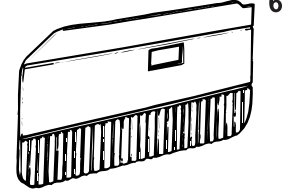
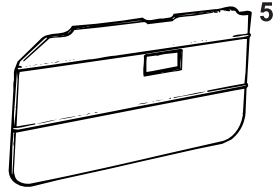
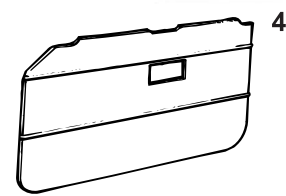
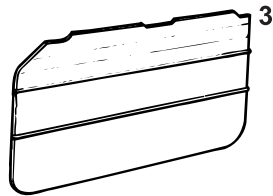
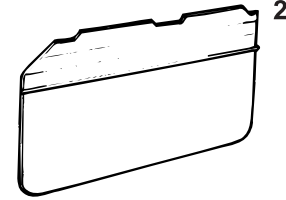
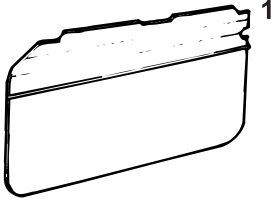
Classic panel sets feature 1960s MG design, specially created for 1970s MGBs and GTs. Window winder handle or electric windows are catered for. Sets include radio console panel and are available in a wide choice of colours (see opposite) with contrasting piping if desired. Choose from vinyl or luxury leather.

Note: Original style trim panels and sets are also available and are shown overleaf.

**Telephone: 01954 230928 Fax: 01954 231923, Email: sales@mgocspares.co.uk
 Buy Online at www.mgocspares.co.uk**



MGB
& GT
1800



© 2008 MGOC Spares Ltd

Telephone: 01954 230928 Fax: 01954 231923, Email: sales@mgocspares.co.uk

Item 1 - TK110 Trim panel set - Early GHN3 Roadster with 'pull handle' doors (1962-64).

Item 2 - TK111 Trim panel set - GHN3 Roadster with 'push button' doors (1964-67).

Item 3 - TK112 Trim panel set - GHD3 MGB GT (1965-67).

These are available in the following colour combinations:

AB	Black/Blue pipe	BB	Blue/Blue pipe
AM	Black/Red pipe	MA	Red/Black pipe
AW	Black/White pipe	MW	Red/White pipe

The suffix should be added to the TK number to give the complete part number eg: TK110AB, TK112MW etc.

Item 4 - TK113 Trim panel set - GHN4 Roadster (1968-69)

Item 5 - TK114 Trim panel set - GHD4 MGB GT (1968-69)

These are available in the following colour combinations:

AA	Black/Black pipe	BB	Blue/Blue pipe
AB	Black/Blue pipe	MA	Red/Black pipe
AM	Black/Red pipe	MW	Red/White pipe
AW	Black/White pipe		

The above type of door liners are of a stitched/sewn construction before being glued to the backing boards. All of the panels are held on with screws.

From 1970 on, the door liners were of welded construction and are held on to the door with plastic trim clips, screws still being required for the other panels:

Not ill. - TK115 Trim panel set - GHN5 Roadster with no chrome strip (1970-71).

Item 6 - TK116 Trim panel set - GHD5 MGB GT with no chrome strip (1970-71).

Item 7 - TK117 Trim panel set - GHN5 Roadster with chrome strip (1972 - September 1976).

Not ill. - TK118 Trim panel set - GHD5 MGB GT with chrome strip (1972 - September 1976).

These are available in the following colour combinations:

A	Black	N	Navy
K	Autumn leaf	T	Ochre

The suffix should be added to the TK number to give the complete part number eg: TK115A, TK118N etc.

Not ill. - TK119 Trim panel set - GHN5 Roadster (September 1976 on).

Item 8 - TK120 Trim panel set - GHD5 MGB GT (September 1976 on)

All UK specification cars were fitted with Black trim. We are also able to supply the Autumn leaf and Beige trim as fitted to the USA specification cars. These are an excellent way to personalise the car without losing its originality completely. Colour codes are:

A	Black
K	Autumn leaf
X	Beige

The suffix should be added to the TK number to give the complete part number eg: TK119A, TK120A etc.

A trim kit consists of: 1 pair of footwell liners, 1 pair of door liners, and 1 pair of wheel arch liners. We are also able to supply individual items out of the trim kits. Roadster cockpit liners are also available: see item 9 below. GT rear tailgate liners are also available: see item 10 below.

Item 9 - CP136 Rear cockpit liner - GHN3/4 Roadster (1962-69).

Available in:

A	Black
B	Blue
M	Red

Item 9 - CP137 Rear cockpit liner - GHN5 Roadster (1970-80).

Available in:

A	Black	T	Ochre
K	Autumn leaf	X	Beige
N	Navy		

Item 10 - TP138 Rear tailgate liners - Pair - GHD3/4 MGB GT (1965-69).

Available in:

A	Black
B	Blue
M	Red

Item 10 - TP139 Rear tailgate liners - Pair - GHD5 MGB GT (1970-1980)

Available in:

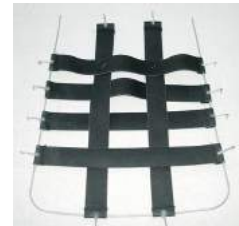
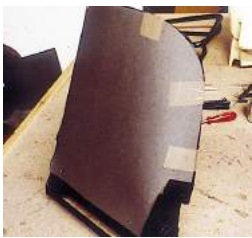
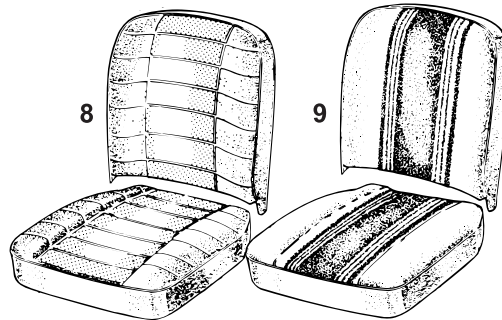
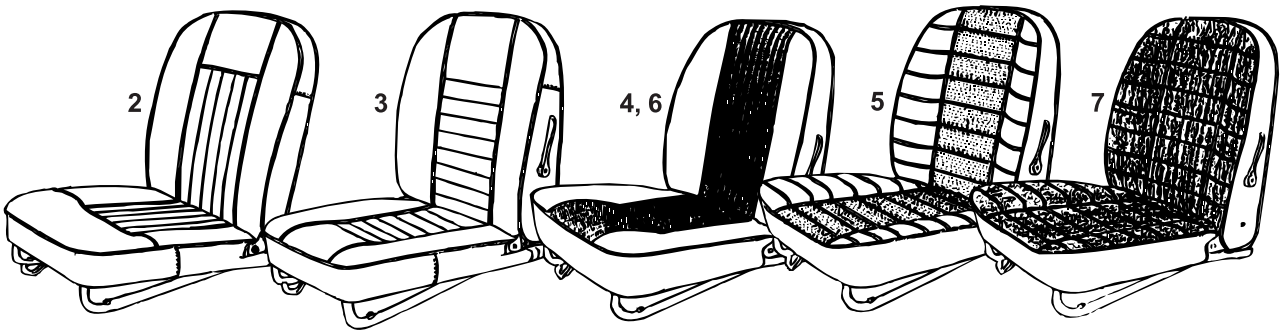
A	Black	T	Ochre
K	Autumn leaf	X	Beige
N	Navy		

Please state whether cockpit or rear tailgate liners are required when ordering trim kits. All of the above trim panels and kits are standard colours and are (normally) available off the shelf. For vehicles after 1970 we will be pleased to discuss any non-standard colour combinations or the use of leather in place of vinyl: please see items 10 to 12 in the previous section.

Telephone: 01954 230928 Fax: 01954 231923, Email: sales@mgocspares.co.uk

Buy Online at www.mgocspares.co.uk

© 2008 MGOC Spares Ltd



Note: Front seat covers are sold in kits to recover both seats. Rear seat covers are sold to recover both back and base. All other items are sold in single units. Leather seat covers are leather on the seat facings only, the backs and sides are leathercloth. The range of colours is vast, in both leather and vinyl materials, with both original colours and a wide choice of special colours available to choose from. Contrasting piping features on earlier styles of seat covers, in both original and non-original colour combinations.

We are also able to supply matching interior trim kits and carpets to complete the conversion. We would be pleased to discuss your special requirements.

1 R920 on Refurbished seats - Pair - Exchange 1

Original specification seats in leather, cloth or vinyl, plus upgrades to leather for later MGBs. The seats are totally refurbished including foams, backboards and webbing or diaphragm as appropriate, all professionally fitted. Excludes headrests. Excellent value for money. Heated seats option also available in refurbished seat scheme. Refurbished GT rear seats also offered.

2 SC101 on	Leather seat cover kit - Non-recliner 1	}	Roadster and GT 1962-68. Leather standard fitment
2 SC103 on	Vinyl seat cover kit - Non-recliner 1		
3 SC105 on	Leather seat cover kit - Recliner 1	}	Roadster and GT 1969 only. Leather standard fitment
3 SC107 on	Vinyl seat cover kit - Recliner 1		
4 SC111 on	Vinyl seat cover kit - 'Half perforated' 1	}	Roadster 1970-73, GT 1970. Vinyl basketweave vertical centre pleats
5 SC115 on	Vinyl seat cover kit - 'Perforated' 1		
6 SC113 on	Vinyl/nylon seat cover kit - 'Half cloth' 1	}	Roadster 1973-76. Vinyl basketweave horizontal centre panels
7 SC117 on	Vinyl/nylon seat cover kit - 'Cloth' 1		
8 SC119 on	Vinyl/nylon seat cover kit - 'Deckchair' 1	}	GT 1971-73. Brushed nylon vertical centre pleats
9 SC124 on	Vinyl seat cover kit - 'Perforated' 1		
			GT 1973-76. Brushed nylon full-width facings
			Roadster and GT 1976 on. Brushed nylon, in contrasting coloured stripes
			Roadster 1976 on, North American spec. Vinyl basketweave full width

Note: Seats fitted from 1970 to 1973 have a hump at the front of the seat base, as shown in illustration 3. From 1973 onwards the hump at the front was flattened out and raised sides added to the seat base. This is clearly seen in illustration 4.

10 SBB3001	Seat back board - Non-recliner 2	1962-68
10 SBB3002	Seat back board - Recliner 2	1969 only
10 SBB3003	Seat back board - Recliner 2	1970 on

Die-cut automotive millboard panel, provides correct shape to seat back.

11 AHH7037	Seat base foam - RH 1	}	1962-68
11 AHH7038	Seat base foam - LH 1		
12 AHH7036	Seat back foam - Non-recliner 2	}	1969 only
11 R110R	Seat base foam - RH 1		
11 R110L	Seat base foam - LH 1	}	1970-73
12 AHH9681	Seat back foam - Recliner 2		
11 R110R	Seat base foam - Humped front - RH 1	}	1973 on
11 R110L	Seat base foam - Humped front - LH 1		
12 R113	Seat back foam - Recliner 2	}	1972 approx.
11 R112R	Seat base foam - Raised sides - RH 1		
11 R112L	Seat base foam - Raised sides - LH 1	}	1972 approx. on
12 R114	Seat back foam - Recliner 2		
13 AHA7878	Seat diaphragm 2		
14 BHH580	Seat webbing 2		

Webbing and diaphragm may be fitted in place of each other, but some re-drilling of attachment holes in the seat frame may be necessary.

15 R150 Calico webbing 2
Calico webbing cover protects foam seat bases from abrasion.

16 R090 on	Leather head rest - 'D' shape 2
16 R108 on	Vinyl head rest - 'D' shape 2
17 R100 on	Leather head rest - 'Pear' shape 2
17 R109 on	Vinyl head rest - 'Pear' shape 2

Note: The 'D' shaped or 'eared' headrest fitted to GHN 5, GHD5 cars until September 1976 is available in either plain vinyl or leather, or with a perforated vinyl centre section (not shown) to match the half perforated seat covers. 'Pear' or 'Barrel' shaped headrests fitted from September 1976 on are available in either vinyl or leather. Both styles of headrest are offered in original colours and a wide choice of special colours with contrasting piping available on some colour schemes.

18 SC102 on	Leather rear seat cover kit 1	}	GT 1965-68. Leather standard fitment
18 SC104 on	Vinyl rear seat cover kit 1		
18 SC106 on	Leather rear seat cover kit 1	}	GT 1969 only. Leather standard fitment
18 SC108 on	Vinyl rear seat cover kit 1		
18 SC112 on	Vinyl rear seat cover kit - 'Half perforated' 1	}	GT 1970. Vinyl basketweave vertical centre pleats
18 SC114 on	Vinyl/nylon rear seat cover kit - 'Half cloth' 1		
18 SC118 on	Vinyl/nylon rear seat cover kit - 'Cloth' 1	}	GT 1971-73. Brushed nylon vertical centre pleats
18 SC120 on	Vinyl/nylon rear seat cover kit - 'Deckchair' 1		
			GT 1973-76. Brushed nylon full-width facings
			GT 1976 on. Brushed nylon, in contrasting coloured stripes

Both original colours and a wide choice of special colours available to choose from. Contrasting piping features on earlier styles of seat covers, in both original and non-original colour combinations.

19 R115 Rear seat foam set 1 GT



**MGB
& GT
1800**



Classic Plain Centre



Classic Perforated Centre



Executive Roused Centre



4



Heated Seat Option



*Sculptured back for
comfort and support*



*Contrasting colour
piping option*



*Rotary recliner
control*



BLACK



BISCUIT



NAVY



BROWN



MAGNOLIA



GREY



RED



GREEN



GRENADINE

Swatch samples available on request

Telephone: 01954 230928 Fax: 01954 231923, Email: sales@mgocspares.co.uk

Complete replacement seats with leather facings for MGB models offering unrivalled comfort and style. Soft leather pleated with plain, perforated or rouché centres. Available in a full range of colours with choice of contrasting or matching colour piping. Straightforward installation direct to existing seat runners. Headrests included.

- 1 R062 on Classic sports recliners -1
Pair including head rests
- 2 R063 on Executive sports recliners -1
Pair including head rests
- 3 R061 on Classic perforated recliners -1
Pair including head rests

Heated seats and squabs are now offered as an option when ordering both the Executive and Sports Recliner seats. These low energy heat pads operate using minimum current, and allow you to enjoy warmth and comfort with hood down motoring whatever the weather. Wiring loom, illuminated switches and straightforward instructions included.

- 4 R066 Heated seat option -2
For Club recliner seats

**Telephone: 01954 230928 Fax: 01954 231923, Email: sales@mgocspares.co.uk
Buy Online at www.mgocspares.co.uk**



MGB
& GT
1800



© 2008 MGOC Spares Ltd



1



2



3



4



Swatch samples available on request



5

Telephone: 01954 230928 Fax: 01954 231923, Email: sales@mgocspares.co.uk

Vinyl and leather seat covers in a classic style designed to perfectly match the classic trim panels detailed elsewhere in this catalogue. Available in the same wide choice of colours and, if desired, contrasting piping.

1	R050 on	Club leather front seat cover kit1	}	Roadster and GT 1970 on
2	R104 on	Club vinyl front seat cover kit1		
3	R070 on	Club leather rear seat cover kit1	}	GT 1970 on
4	R107 on	Club vinyl rear seat cover kit1		

Seat slip covers protect your seats during routine servicing and maintenance. Sold as a pair in grey with MG logo.

5	R002PP	Seat slip covers - Pair - Grey - 'MG'1	All models
---	--------	---------------------------------------	--------	------------

Telephone: 01954 230928 Fax: 01954 231923, Email: sales@mgocspares.co.uk
Buy Online at www.mgocspares.co.uk



**MGB
& GT
1800**



1

Ultimate Carpet Sets

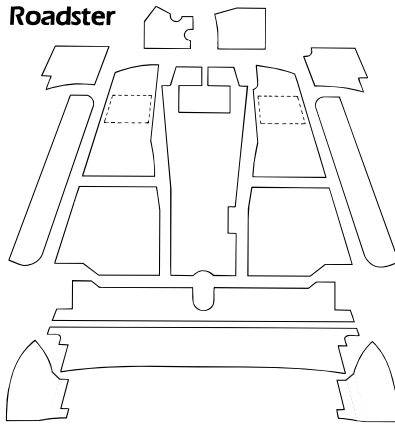


1

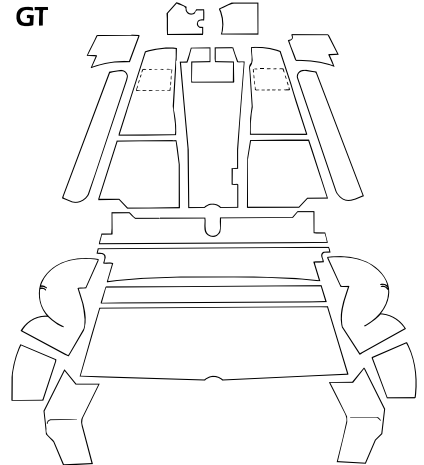


*Fully moulded gearbox tunnel
and GT rear wheel arches*

**MGB
Roadster**



**MGB
GT**



© 2008 MGOC Spares Ltd



*Firm millboard
backing*



*Neatly stitched
bindings*



*Bonded sound
proofing*



2

Club Carpet Sets



3



4



5



2



6



7



12



8



9



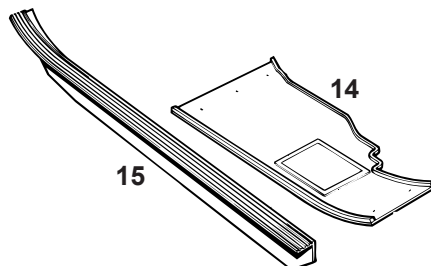
10



11



13



15

14



16



17

Telephone: 01954 230928 Fax: 01954 231923, Email: sales@mgocspares.co.uk

Ultimate carpet sets are the best quality, best fitting and most complete carpet sets for MGB & GT models. Each set includes moulded and pre-shaped transmission tunnel, soundproofing, and hardbacked footwell toeboards. All fixings included for D.I.Y installation. Please state colour when ordering - RHD and LHD specific sets available.

1	N030 on	Ultimate carpet set 1	3	Synchro roadster (1962-67)
1	N031 on	Ultimate carpet set 1	4	Synchro roadster (1968 on)
1	N032 on	Ultimate carpet set 1	3	Synchro GT (1965-67)
1	N033 on	Ultimate carpet set 1	4	Synchro GT (1968 on)

Club standard carpet sets feature an original quality carpet material. Available in a choice of seven colours, state colour when ordering.

Please note Club carpet sets do **not** include soundproofing

2	CK001 on	Club carpet set 1	3	Synchro roadster (1962-67)
2	N025 on	Club carpet set 1	4	Synchro roadster (1968 on)
2	CK002 on	Club carpet set 1	3	Synchro GT (1965-67)
2	N026 on	Club carpet set 1	4	Synchro GT (1968 on)
3	N035	Carpet adhesive - Brush on - 500ml	... A/R		
4	N036	Carpet adhesive - Aerosol - 400ml	... A/R		
5	N037	Carpet clip set - Pack of 12 1		Roadster
5	N038	Carpet clip set - Pack of 16 1		GT
6	N095A	Boot carpet set - Moulded - Black 1		Roadster

Four pre-formed black carpet sections guarantee a perfect, professional fit. Spare wheel cover available separately - see N096A below.

7	N080 on	Boot carpet set - Deluxe 1		Roadster
---	---------	--------------------------	---------	--	----------

Six part carpet set for all roadster models covering floor, inner wings, wheel arches and rear bulkhead. Available in a choice of seven colours matching the Ultimate and Club standard interior carpets, with contrasting bindings if desired. Spare wheel cover in carpet or vinyl available separately.

8	N070 on	Boot carpet set - Standard 1		Roadster
8	N075 on	Boot carpet set - Standard 1		GT

Tailored 4 piece roadster and GT carpet sets to cover boot floor, with spare wheel cover included. Available in seven colours, matching cockpit carpet sets.

9	N081 on	Spare wheel cover - Vinyl 1		Available in choice of 4 colours
10	N082 on	Spare wheel cover - Carpet 1		Available in seven colours, with contrasting bindings if desired
11	N096A	Spare wheel cover - Ultimate carpet 1		Available in black, matching moulded boot carpet set.
12	CK005 on	Footwell carpet mats - Pair 1	3	Synchro models (1962-67)
12	CK006 on	Footwell carpet mats - Pair 1	4	Synchro models (1968 on)

Tailored footwell mats with rubber heel pad on driver's side. Available in choice of seven colours, with contrasting binding option.

13	CK170	Footwell carpet mats - Pair - MG logo 1	3	Synchro models (1962-67)
13	CK171	Footwell carpet mats - Pair - MG logo 1	4	Synchro models (1968 on)

Needle Tuff black carpet with non-slip grip coating underside and discreet woven MG logo.

14	AHH9762/3	Rubber floor mats - Original style - Pair	... 1	4	Synchro models (1968-76), black only
15	XGA1300/1	Rubber sill mats - Original style - Pair	... 1	3 and 4	synchro models (1962-76), black only

For cars up to September 1976 rubber sill and floor mats were fitted as standard, in place of the corresponding carpet sections. Originally available in colours to match the carpet fitted to the rest of the interior, black 4 synchro floor mats as the most popular colour/shape combination is now the only one available. The floor mats are supplied with ready-attached sound deadening felt underneath, as original. The sill mats will also fit 3 synchro cars, if required. If original rubber mats are being fitted then it will be necessary to order these in addition to the carpet set. Please advise at time of ordering if this is required.

16	N060	Footwell rubber mats - Pair - MG logo 1	3	Synchro models (1962-67)
17	N061	Footwell rubber mats - Pair - MG logo 1	4	Synchro models (1968 on)

Heavy duty and accurately shaped protective mats, for 3 synchro and 4 synchro MGB models (4 synchro also fits MGC and V8). Keeps carpet clean and protects against heel wear.

Telephone: 01954 230928 Fax: 01954 231923, Email: sales@mgocspares.co.uk
Buy Online at www.mgocspares.co.uk

HOODS & HARDTOPS:

HOODS & HEADER RAIL

HOOD CARE

HOOD FRAMES

TONNEAU COVERS

WIND DEFLECTORS

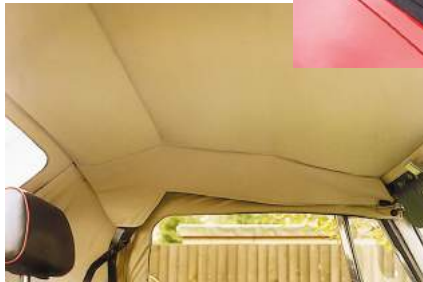
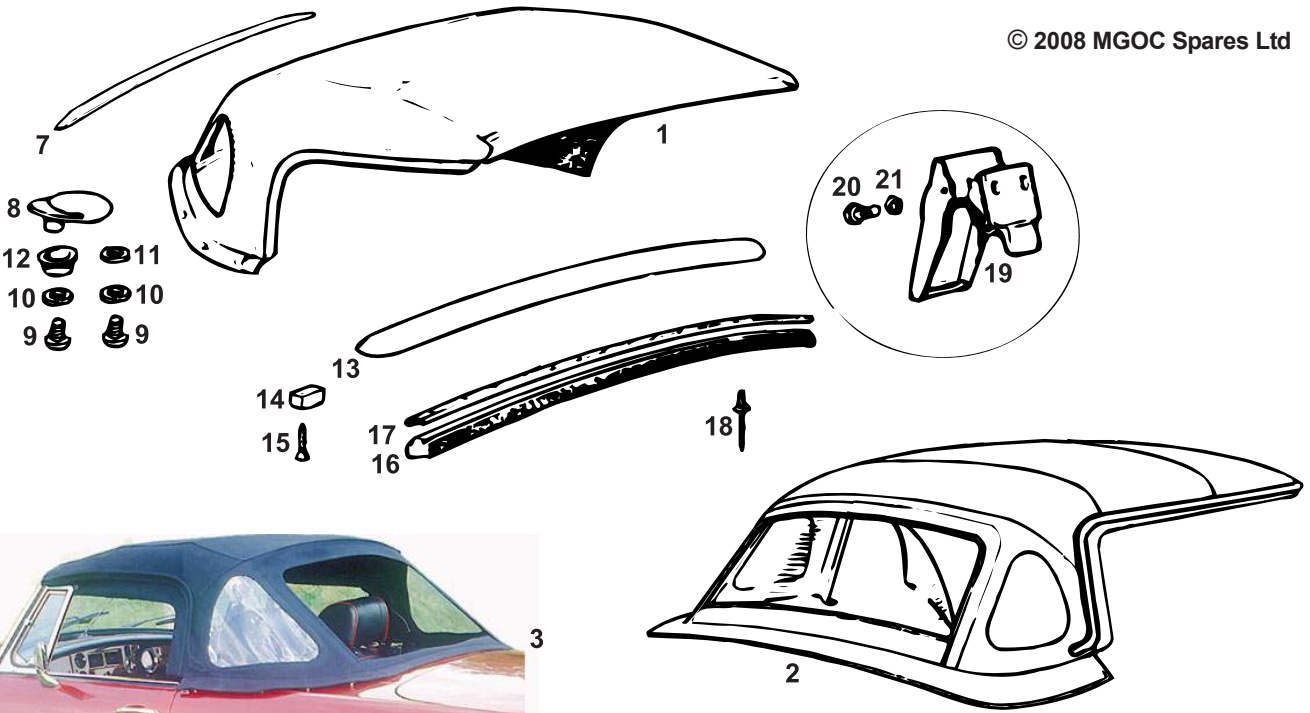
HARDTOPS

CAR COVERS

BODY SEALING

BODY SOUND DEADENING

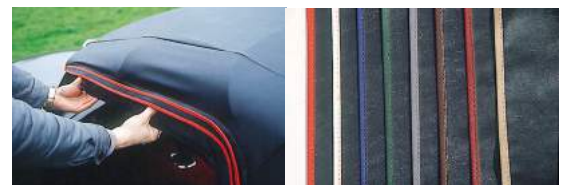




**Hood Fitting
Service Available**



22



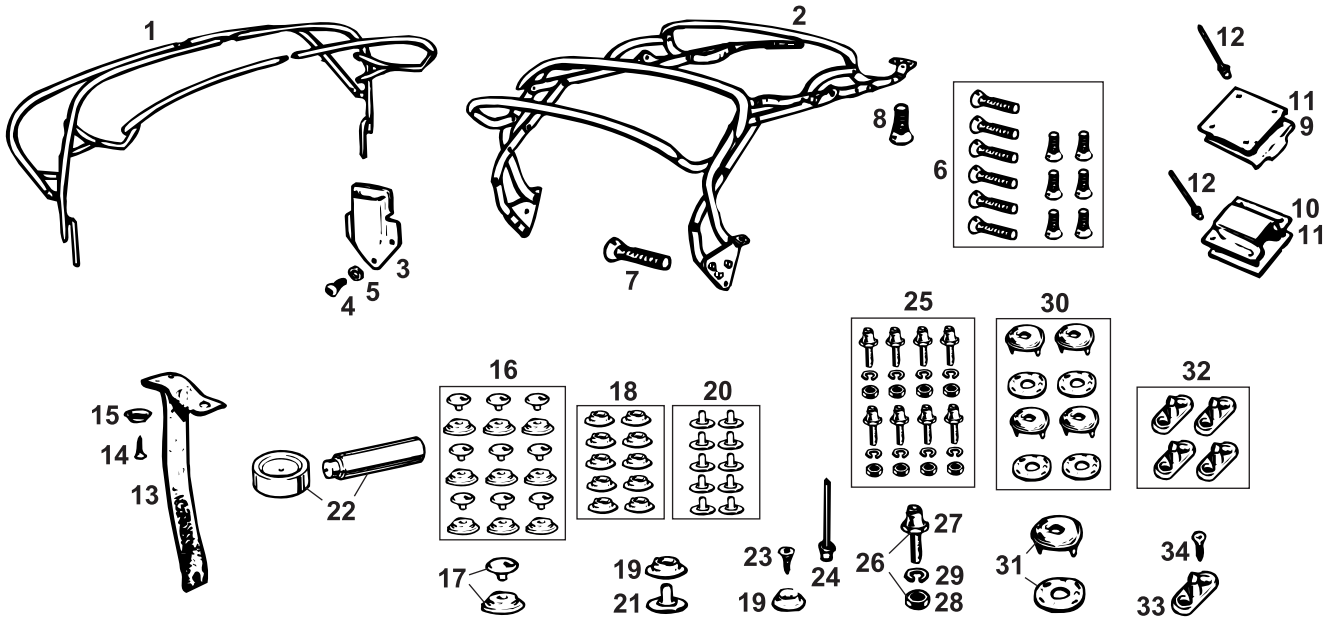
Choice of Colour Bindings

Note: Hoods with grey packaway and optional grey 'Deluxe' folding frames were fitted to GHN3/4/5 cars up to chassis number 219000 (1970). From GHN5-219001 onwards, hoods attached to a black folding frame were fitted. The hoods used on grey and black folding frames are **not** interchangeable, so please ensure that the type of frame in use on your car is correctly identified before placing an order (beware of frames that have been repainted).

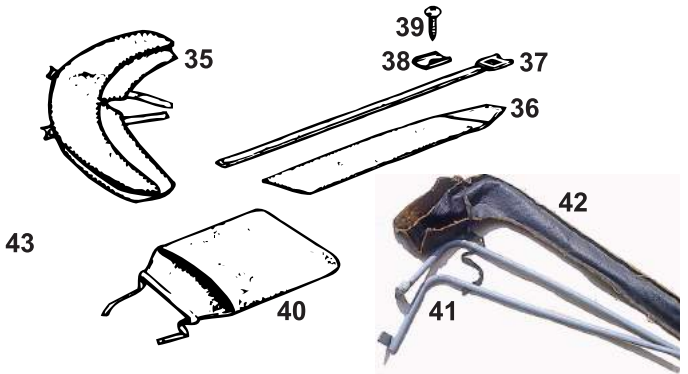
1	VAHH8516	Hood - With header rail 1	For grey packaway hood frame (1962-70)
1	VAKE5372	Hood - With header rail 1	For grey 'Deluxe' folding hood frame (1963-70)
2	VBHH905	Hood - With header rail 1	For black folding hood frame (1971-76)
2	VHZA5123	Hood - With header rail - Zip window 1	For black folding hood frame - with zip out rear window (1976 on)
Original equipment hoods, manufactured from O.E. type black vinyl, jig-built with rear retaining bar and header rail ready fitted for ease of installation. The header rail is ready fitted with its seal but minus windscreen catches. 1971-76 cars may be easily updated by fitting the 1976 on hood with zip out rear window; however no other hood designs may easily be interchanged due to hood frame differences. If desired, original equipment hoods may be ordered without the header rail by adding 'WOB' suffix to the part number.				
3	V150 on	Club vinyl hood - Without header rail 1	
Standard vinyl hoods, in versions for grey packaway frame, grey 'Deluxe' folding frame or black folding frame. All available in black with a choice of contrasting coloured bindings if desired and optional zip out rear window. While the header rail is not included, every possible fastener is factory fitted. All hoods include extra length valances, padded and strengthened for durability and increased weatherproofing.				
3	V250 on	O.E. quality vinyl hood - W/out header rail 1	
General specifications as per the Club vinyl hoods above, but available in a wide choice of colours in original equipment (O.E.) quality Superior Vinyl (black) or Everflex (colours). Along with the options of contrasting coloured bindings and zip out rear window, versions of the heavy duty hood may also be specified with a glass heated rear window.				
4	V350 on	Double duck hood - Without header rail 1	
General specifications as per Club vinyl hoods above, but manufactured from black Double Duck material. Double duck is two layers of automotive grade canvas, weatherproofed by a rubberised layer sandwiched in between, giving strength, durability and weatherproofing together with an affordable upmarket natural fabric appearance. Options of contrasting coloured bindings and zip out rear window available.				
4	V450 on	Mohair hood - Without header rail 1	
General specifications as per Club vinyl hoods above, but manufactured from Mohair material in black or a wide choice of colours. Mohair is a tightly woven fabric, used on the most expensive luxury convertible and cabriolet sports cars. It is manufactured using three layers: an external weather-resistant layer, a central rubberised waterproof membrane and an interior lining. Mohair hoods are available with the options of contrasting coloured bindings, zip out rear window or glass heated rear window.				
5	V360 on	Double duck hood - Club 'R' style 1	
5	V460 on	Mohair hood - Club 'R' style 1	
For 1971 onwards MGBs using the black folding hood frame only, the 'R' style hood features the arched zip out rear window without rear quarter windows, following the style of the MG RV8. Supplied without header rail but with all other fasteners fitted, the 'R' style hood incorporates all the other luxury features and options of the Club hood range. Available in Double Duck or Mohair.				
6	V480 on	Mohair hood - Club Cabrio style 1	
For 1971 onwards MGBs using the black folding hood frame only. The Club Cabrio hood features Mohair luxury hood material (vinyl alternative also available), a contrasting interior lining, single zip out rear window and separate padded headlining. The lining provides extra warmth and soundproofing and folds easily back into the hood frame. Comprehensive DIY fitting instructions are supplied. Available in hood colours Black, Black with Red bindings, Green, Red or Beige with a choice of Cream vinyl, Grey vinyl or Beige fabric lining.				
7	BHH101	Back bar - Hood 1	
8	14B1730	Hood retainer - Rear 2	
9	PMZ306	Screw 4	
10	WL700101	Washer - Spring 4	
11	PWZ203	Washer 2	
12	AAA5130	Washer - Cup 2	
13	BHH496	Header rail 1	
14	AHH6439	Pad - Header rail 2	
15	GHF400	Screw 4	
16	BHH2273	Seal - Header rail 1	
17	AHH6440	Retainer - Seal 1	
18	GHF600	Pop rivet 15	
19	AHA7709	Head catch - Chrome 2	GHN3/4/5 to 219000
19	AHA9772	Head catch - Satin 2	GHN5-219001 on
20	53K126	Screw 4	
21	WL700101	Washer - Spring 4	
Keep your hood and tonneau cover like new with a hood care kit, comprising ultraproofer, shampoo, cleaner, colour reviver, protector and window polish:				
22	A100A	Hood Care Kit - Renovo - Black 1	
22	A100N	Hood Care Kit - Renovo - Navy 1	
23	A104	Vinyl Ultraproof Protector - 500ml A/R	
24	A103	Vinyl Cleaner - Renovo - 500ml A/R	
25	A109	Fabric Shampoo - Renovo - 500ml A/R	
26	A110	Fabric Colour Reviver - Black - 1 Litre A/R	
27	A116	Hood Window Polish - Renovo - 50ml A/R	
28	A115	Hood Window Polish - Rnovo - 100ml A/R	
29	A105	Fabric Ultraproof Protector - 1 Litre A/R	
30	A102	Waterproofer - Fabsil - Clear Silicone A/R	Not included in hood care kits



MGB & GT 1800



© 2008 MGOC Spares Ltd



Telephone: 01954 230928 Fax: 01954 231923, Email: sales@mgocspares.co.uk



**MGB
& GT
1800**



1	AHH6109/10	Hood frames - Grey packaway - Pair	1	GHN3/4/5 to 219000 (1962-70)
1	8G9288	Hood frame ass'y - Grey folding 'Deluxe'	1	GHN3/4/5 to 219000 (1963-70); optional in place of AHH6109/10
2	BHH346	Hood frame ass'y - Black folding	1	GHN5-219001 on (1971 on)
3	AHH8391	Socket - Hood/Tonneau rail - Chrome	1	GHN3/4/5 to 246724
3	BHH611	Socket - Hood/Tonneau rail - Black	1	GHN5-246725 on
4	SE604063	Screw	6	Not used if folding frames fitted
5	GHF331	Washer - Spring	6	Not used if folding frames fitted
6	V540	Hood frame screw set	1	
7	CMZ428	Screw - Frame and socket to body	6	} Folding frames only
8	SF604061	Screw - Frame to header rail	6	
9	AHH6884	Tongue	A/R	
10	AHH6883	Socket	A/R	} When fitted with folding frames
11	AHH6882	Backplate	A/R	
12	GHF600	Pop rivet	A/R	
13	BHH913	Strap - Hood stowage	2	
14	AD608041	Screw	4	
15	FWP208	Washer - Cup	4	
16	Y002	Durable Dot set - Female - 9 Pairs	1	
17	7H9866S	Durable Dot - Female - 1 Pair - Bright	A/R	
17	7H9866B	Durable Dot - Female - 1 Pair - Black	A/R	
18	Y003	Durable Dot set - Male - 10 pieces	1	
19	ADB4811	Durable Dot - Male	A/R	
20	Y004	Durable Dot set - Bases - 10 pieces	1	
21	7H9868	Base - Durable Dot	A/R	
22	Y001	Durable Dot fixing tool	1	
23	AC606051	Screw	A/R	
24	GHF600	Pop rivet	A/R	
25	Y007	Lift the Dot peg set - 8 sets	1	Includes 8 pegs, 8 washers and 8 nuts
26	Y007A	Lift the Dot peg set - 1 set	8	Includes peg, washer and nut
27	97H717	Peg - Lift the Dot - Threaded	8	
28	GHF206	Nut	8	
29	WL700101	Washer - Spring	8	
30	Y009	Lift the Dot fastener set - 4 pairs	A/R	
31	LFS100S	Fastener - Lift the Dot - 1 pair	A/R	
32	Y008	Lift the Dot peg set - 4 pieces	1	
33	LFP116	Peg - Lift the Dot - T base	A/R	
34	AD606043	Screw	A/R	} When fitted with packaway frames
35	AHH6754	Stowage bag - Hood frames	1	
36	AHH6755	Stowage bag - Hood	1	
37	AHA5217	Strap - Hood stowage	2	
38	AHH6866	Plate	4	
39	GHF423	Screw	4	
40	AHH9276	Stowage bag - Hood cover	1	When fitted with folding frames
41	T500A	Support rails - Tonneau/Hood cover- Pair	1	
42	T500B	Stowage bag - Support rails	1	

Note - Chrome bumper: Cars fitted with seat belts fixed to rear panel will have to make two holes in the rear of the tonneau cover to clear the belt fixing bolts.

43 T150 on Club vinyl full tonneau cover 1 For all models
 44 T190 on Club vinyl hood cover 1 Also known as 'half tonneau cover'. For folding hood frame cars only
 Standard vinyl tonneau covers, with the full tonneau covers in versions for RHD, LHD, with or without head rests and chrome or rubber bumper. All available in black with a choice of contrasting coloured bindings if desired.

43 T250 on O.E. quality vinyl full tonneau cover 1 For all models
 44 T290 on O.E. quality vinyl hood cover 1 Also known as 'half tonneau cover'. For folding hood frame cars only
 General specifications as per Club vinyl tonneau covers above, with the full tonneau covers in versions for RHD, LHD, with or without head rests and chrome or rubber bumper. Available in a wide choice of colours in original equipment (O.E.) quality Superior Vinyl (black) or Everflex (colours).

43 T350 on Double duck full tonneau cover 1 For all models
 44 T390 on Double Duck hood cover 1 Also known as 'half tonneau cover'. For folding hood frame cars only
 General specifications as per Club vinyl tonneau covers above, with the full tonneau covers in versions for RHD, LHD, with or without head rests and chrome or rubber bumper. Manufactured from black Double Duck material. Double duck is two layers of automotive grade canvas, weatherproofed by a rubberised layer sandwiched in between, giving strength, durability and weatherproofing together with an affordable upmarket natural fabric appearance. Option of contrasting coloured bindings.

43 T450 on Mohair full tonneau cover 1 For all models
 44 T490 on Mohair hood cover 1 Also known as 'half tonneau cover'. For folding hood frame cars only
 General specifications as per Club vinyl tonneau covers above, with the full tonneau covers in versions for RHD, LHD, with or without head rests and chrome or rubber bumper. Manufactured from Mohair material in black or a wide choice of colours. Mohair is a tightly woven fabric, used on the most expensive luxury convertible and cabriolet sports cars. It is manufactured using three layers: an external weather-resistant layer, a central rubberised waterproof membrane and an interior lining. Also available with the option of contrasting coloured bindings.

45 T491 on Mohair padded hood cover 1 Also known as 'half tonneau cover'. For folding hood frame cars only
 All details as per the Mohair hood covers above, but with the added feature of padding for sleek appearance. Supplied with all fittings.

46 V664 Wind deflector - Plastic 1
 47 V654 Wind deflector - Mesh 1

Available in a choice of clear polycarbonate plastic, or stylish mesh with leather bound frame. The highly effective wind buffeting shield has become extremely popular since the product's inception a few years ago. Mesh version available with black leather binding as standard, with a choice of other colours also available.

**Telephone: 01954 230928 Fax: 01954 231923, Email: sales@mgoespares.co.uk
 Buy Online at www.mgoespares.co.uk**



MGB
& GT
1800



2

© 2008 MGOC Spares Ltd



5



6



7



8



9



10



11

- 1 V610 Works style hard top - Black 1
 1 V615 Works style hard top - White 1

Without doubt the original factory works hardtop was the most stylish design to compliment the MGB. We are pleased to be able to offer this excellent reproduction, finished in either black or white gloss finish. Features flock interior lining and fittings for straight forward installation. For personal collection only - free fitting service available by appointment.

- 2 V616 'Wraparound' hard top - Black 1
 2 V617 'Wraparound' hard top - White 1

New stylish wrap around rear screen design to compliment the MGB's classic styling. Features flock interior lining, gloss white or black finish. For personal collection only - free fitting service available by appointment.

- 3 V601 Hard top seal kit 1 Complete set of seals for original works hard tops only.
 4 V690 Hard top storage cover 1 Care for your hard top during its summer sojourn in the garage.

- 5 T713 Carcoon storage system - Clear 1
 5 T714 Carcoon storage system - Green 1
 5 T715 Carcoon storage system - Outdoor 1

The Carcoon storage system offers ultimate protection through constant air circulation, up to three complete changes per hour, around and through your MG. It eliminates condensation, keeps your MG aired and dry, is cheap to run and quick and simple to use. A variety of sizes and types are available in a range of Carcoon products that also includes replacement filters with which to service your storage system. Please contact MGOC Spares for details.

- 6 T602 Storm cockpit cover 1
 7 T612 Rhino cover 1
 7 T613 Rhino cover 1
- } Roadster
 } GT

Far more effective than the traditional tonneau cover, the Storm cockpit cover and Rhino cover fit in seconds and provide complete waterproofing of the entire cockpit area. Tailored specifically for the MGB. The Storm cockpit cover folds up neatly into its own 18" x 12" storage bag.

- 8 T623 Tailored allweather cover 1 Chrome bumper roadster
 8 T624 Tailored allweather cover 1 Rubber bumper roadster
 8 T625 Tailored allweather cover 1 GT
 T620C Cable and Lock Set - Tailored Cover 1

Designed for both indoor and outdoor use, the tailored allweather cover provides protection for your MGB in all weather conditions while the Technolon fabric allows the bodywork to breathe. It shields the exterior and interior of the car from damage from dirt, dust, tree droppings, salt air and even industrial pollution and acid rain. It also allows any moisture under the cover to evaporate and helps to keep your car looking 'showroom new'. A cable and lock set to keep all secure is also available.

- 9 T641 Universal Allweather Cover 1

The universal allweather cover, manufactured from the same material as the tailored item above, affords the same degree of protection for cars other than your MG. It is suitable for cars up to 211" combined length and width (the approximate overall length is 13 feet).

- 10 T651 Tailored Dust Cover 1 Roadster
 10 T652 Tailored Dust Cover 1 GT

A lightweight indoor dust cover with an elasticated hem, fully tailored to follow the bodywork contours of your MGB. The lightweight cotton allows air circulation and prevents dust build-up.

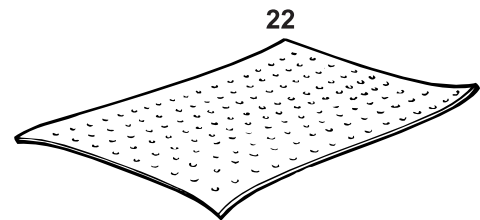
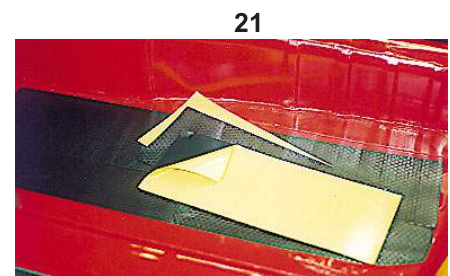
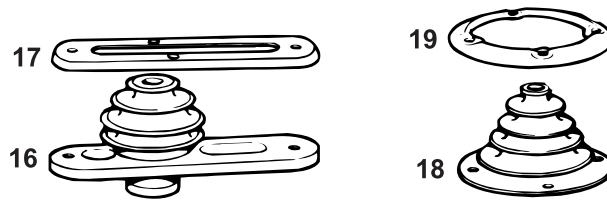
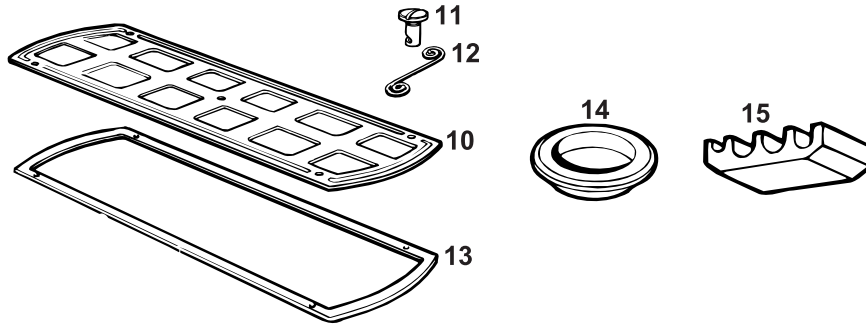
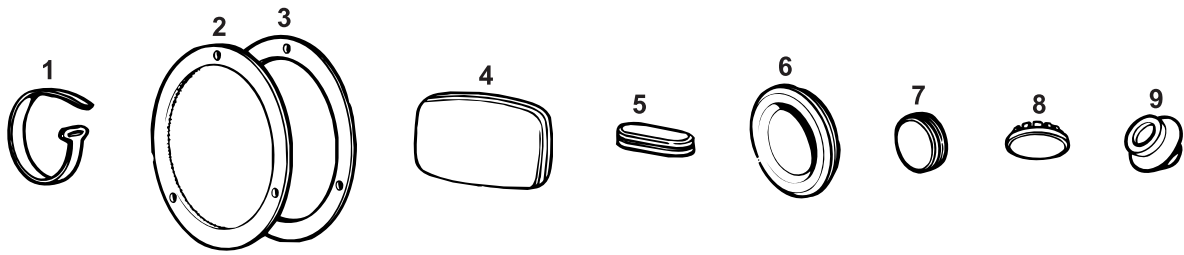
- 11 T659 Universal Dust Cover 1

Keeping your MG in pristine condition when laid up over the winter is made easy when you have a suitable cover with which to protect it. The universal cover is economically priced, excellent value and fits all MG sportscar models.

**Telephone: 01954 230928 Fax: 01954 231923, Email: sales@mgocspares.co.uk
 Buy Online at www.mgocspares.co.uk**



MGB
& GT
1800



© 2008 MGOC Spares Ltd

Telephone: 01954 230928 Fax: 01954 231923, Email: sales@mgocspares.co.uk



**MGB
& GT
1800**



1	ACH8650	Clip - Pipes and wiring	A/R		E.g. brake pipes to rear axle
2	11H1918	Plate - Blanking	1	}	Clutch pedal hole
3	AHC127	Seal - Blanking plate	1		
4	14B630	Plug - Blanking	A/R		Master cylinder (not fitted to rubber bumper cars)
5	AHH6478	Plug - Blanking	1		LHD steering column mounting holes (RHD only)
6	BHA4536	Plug - Blanking	A/R		Steering column hole, rear shock absorber filler holes
7	RFN207	Grommet - 11mm diameter of hole	A/R		
7	RFR210	Grommet - 16mm diameter of hole	A/R		
7	600400	Grommet - 38mm diameter of hole	A/R		
7	2H2065	Grommet - 41mm diameter of hole	A/R		
8	ACH9373	Plug - Blanking	1		Starter and ignition switch hole
9	CFP375	Blanking plug - 9.25mm diameter	A/R		LHD accelerator hole, paint drain holes, etc.
9	CFP625	Blanking plug - 15.87mm diameter	A/R		Speedometer and tachometer cable hole, paint drain holes etc.
9	CFP750	Blanking plug - 19.05mm diameter	A/R		Paint drain holes, etc.
9	CFP1000	Blanking plug - 25mm diameter	A/R		Quarter light holes in door, paint drain holes etc.
10	AHH6716	Battery access panel assembly	1		Chrome bumper
10	HZA4935	Battery access panel assembly	1		Rubber bumper
11	AHH7210	Dzus fastener - Battery access panel	A/R		
12	7H9828	Spring - Dzus fastener	A/R		
13	AHH6352	Seal - Battery access panel	1		
14	AHH6507	Plug - Blanking	1		Gearbox dipstick hole
15	AHH6286	Grommet - Service	4		Use in underfloor service pipe clips
16	AHH7170	Gear lever grommet	1	}	3 Synchro
17	AHH6486	Retainer - Gear lever grommet	1		
18	BHH2049	Gear lever grommet	1	}	4 Synchro
19	AHC187	Retainer - Gear lever grommet	1		
20	N040	Soundproofing kit	1		Roadster
20	N040A	Soundproofing kit supplement	1		GT
					Sealed, accurately tailored felt pad set to reduce engine, transmission and road noise intrusion in the cockpit.
21	N045	Sound deadening pads - Pack of 10	1		
22	CHM228	Sound deadening pad	A/R		
Anti-vibration adhesive pads for inside door skins, floor pans, inside wings and roof.					

**Telephone: 01954 230928 Fax: 01954 231923, Email: sales@mgocspares.co.uk
Buy Online at www.mgocspares.co.uk**

ACCESSORIES:

TOURING ACCESSORIES

DECALS & CHASSIS PLATES

PAINTS & UNDERSEALS

TOUCH UP PAINTS

ROLL OVER BAR

BODY STYLING

LUBRICANTS & FLUIDS

CAR CARE

SERVICING

TOOLS & TUNING

TERMS & CONDITIONS



© 2008 MGOC Spares Ltd



1



2



3



4



7



6



5



8



9



10



12



13

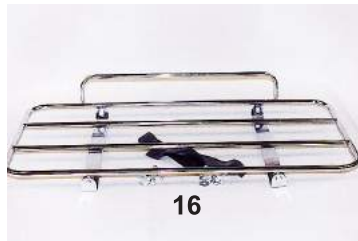
15



14



15



16



17



18



19



20



21



22



23



24



25



26



27



**MGB
& GT
1800**



1	V651	Sunroof wind deflector	1	Original equipment; no brackets
2	F001	Tow bar kit	1	Chrome bumper
3	F005	Tow bar kit	1	Rubber bumper

Specifically designed for the MGB, these tow bar kits are straight forward to fit and strong, attaching to the most appropriate mounting points on the car.

4	F020	Installation kit - Tow bar	1	Chrome bumper
4	F025	Installation kit - Tow bar	1	Rubber bumper

Including tow ball, chrome and black ball covers, wiring, socket, relay and interior warning light, this kit provides everything you need to fit out your tow bar.

5	K150	Petrol can - 5 Litre	1	Polished stainless steel
6	M124	Petrol can - 5 Litre	1	Red plastic

7	M125	Warning triangle - E Approved	1	
8	M151	Fire extinguisher - Firemaster - 0.95Kg	1	
9	M152	Fire extinguisher - Firemaster - 1Kg	1	
10	M154	Fire extinguisher - Firemaster - 2Kg	1	
11	M126	Tow rope - With hooks	1	
12	M110	Spare bulb kit	1	For halogen headlamp equipped cars
12	M111	Spare bulb kit	1	For standard headlamp equipped cars
13	M112	Headlamp beam deflector mask set	1	
14	K015	GB letters - Chrome	1	Letters fix by concealed lugs to bodywork
14	K016	GB letters - Stainless steel	1	Self adhesive

Of great practical use at home or abroad, many of these touring accessories are madatory in some countries. Make sure you are not caught out!

15	L025	Boot rack - Chrome	1	Permanently fixed. To original classic design
16	L020	Boot rack - Stainless steel	1	Permanently fixed. Marine quality
17	L120	Boot rack - Stainless steel	1	Clamp-on type
18	L101	Boot rack strap - With buckle - 2.5m	A/R	
19	F040 on	Mudflaps - Pair	1	Choice of designs and logos
20	A301	Body protector - Folia Tec	A/R	

Folia Tec self-adhesive film protects your paintwork from stone chips in low, vulnerable areas.

21	T550	Front mask - Stone chip and fly protection	1	Chrome bumper
21	T555	Front mask - Stone chip and fly protection	1	Rubber bumper
22	M122	Door reflectors - Set of 4	1	
23	F310	Front wheel arch undershields - Pair	1	

This pair of protective shields fit neatly under MGB front wings, guarding against damage to your immaculate new panelwork from stone chips and road salt.

24	E015	Load cover kit	1	GT. Conceal valuables from sight with this detachable load cover.
25	F030	Dog Guard	1	GT. Keep Fido in the boot where he belongs!
26	K715	Tax disc holder - Alloy - With MG logo	1	
26	K716	Tax disc holder - Alloy - Without logo	1	
27	K717	Tax disc holder - Carbon ultra-lite	1	

Maintaining chromework:

The Chromium Plating on all Club products is top quality and complies with BS1224 the industry standard for automotive products. To protect and preserve the chromium finish it is important that you apply Solvol Autochrome (A090) - BEFORE FITTING and re-apply at regular intervals. Wiping surfaces with a soft cloth soaked in Castrol DWF will also give excellent protection against corrosion in winter.

**Telephone: 01954 230928 Fax: 01954 231923, Email: sales@mgocspares.co.uk
Buy Online at www.mgocspares.co.uk**

1



2



3



4





**MGB
& GT
1800**



Exact reproductions of the original stickers, transfers, decals and plates in complete sets for all models by year. North American specification versions also available - please contact us for details.

1	A260	Chassis plate and decal set	1	3	Synchro roadster 1962-64
	A261	Chassis plate and decal set	1	3	Synchro roadster 1965-67
2	A262	Chassis plate and decal set	1	3	Synchro GT 1965-67
	A263	Chassis plate and decal set	1	4	Synchro roadster 1968-69
	A264	Chassis plate and decal set	1	4	Synchro GT 1968-69
	A265	Chassis plate and decal set	1	4	Synchro roadster 1970-71
	A266	Chassis plate and decal set	1	4	Synchro GT 1970-71
3	A267	Chassis plate and decal set	1	4	Synchro roadster 1972-74
	A268	Chassis plate and decal set	1	4	Synchro GT 1972-74
4	A269	Chassis plate and decal set	1	4	Synchro roadster 1975-80
	A270	Chassis plate and decal set	1	4	Synchro GT 1975-80

**Telephone: 01954 230928 Fax: 01954 231923, Email: sales@mgocspares.co.uk
Buy Online at www.mgocspares.co.uk**



1



2

3



4

5



6



7



17



8

9

10

11

12

13

14



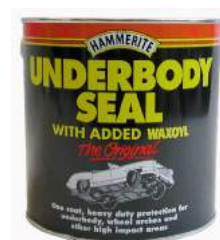
15



16



18



19



**MGB
& GT
1800**



1 A001 Waxoyl members' pack A/R

The renowned anti-rust treatment, custom-packed for MG owners. The pack includes five litres of Waxoyl, cartridge can, pressure pump, spray gun and rubber grommets. Extra injection hole grommets for the car body are also available individually, if required, as are the applicators. Please contact MGOC Spares for details.

- 2 A001T Top up can - Waxoyl - 2.5 Litre A/R
- 3 A002 Top up can - Waxoyl - 5 Litre A/R
- 4 A004 Waxoyl aerosol - 200ml A/R
- 5 A005 Waxoyl aerosol - 400ml A/R
- 6 A010 Hammerite paint - Black - 2.5 Litre can A/R
- 6 A011 Hammerite paint - Silver - 2.5 Litre can A/R
- 6 A013 Hammerite paint - Blue - 2.5 Litre can A/R
- 6 A014 Smoothrite paint - White - 2.5 Litre can A/R
- 7 A017 Hammerite No.1 - 2.5 Litre can A/R
- 8 A023 Smoothrite paint - Blue - 400ml A/R
- 9 A025 Smoothrite paint - Yellow - 400ml A/R
- 10 A020 Smoothrite paint - Black - 400ml A/R
- 11 A021 Smoothrite paint - Silver - 400ml A/R
- 12 A022 Smoothrite paint - Red - 400ml A/R
- 13 A024 Smoothrite paint - White - 400ml A/R
- 14 A026 Smoothrite paint - Green - 400ml A/R
- 15 A028 Chrome Look paint aerosol - 300ml A/R
- 16 A029 Wrinkle finish paint aerosol - 400ml A/R
- 17 A030 Engine paint - Enamel - Black A/R
- 17 A031 Engine paint - Enamel - MG Red A/R
- 17 A032 Engine paint - Enamel - BMC Green A/R
- 17 A033 Engine paint - Enamel - MGC Green A/R

Smooth primer with anti-rust properties. Suitable for most top coats

For refinishing dashboards. Only use in warm weather!

Calliper paint kits include heat resistant two pack paint and pre-cleaner. Sufficient for 4 callipers:

- 18 A350 Calliper paint kit - Red 1
- 18 A350A Calliper paint kit - Black 1
- 18 A350S Calliper paint kit - Silver 1

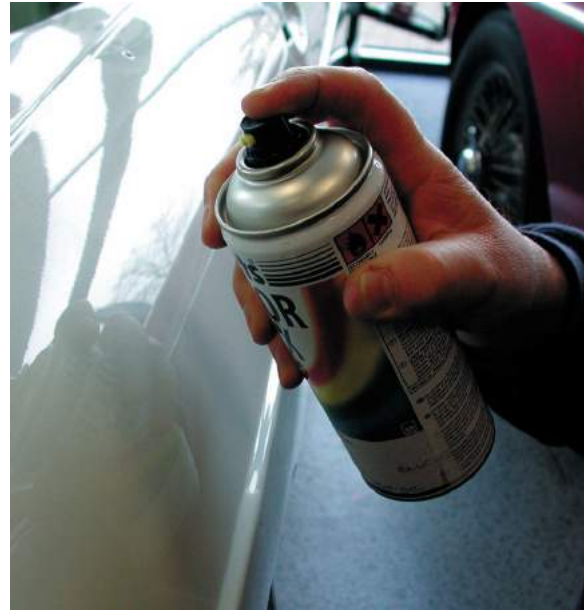
19 A003 Underbody Seal - 2.5 Litre can A/R

Thick, rust-resistant barrier for application under floor pans, wheel arches etc.

**Telephone: 01954 230928 Fax: 01954 231923, Email: sales@mgocspares.co.uk
Buy Online at www.mgocspares.co.uk**



1



2



3



**MGB
& GT
1800**

- 1 A051 on Touch up paint - 40ml - With brush A/R
2 A041 on Spray paint - 400ml A/R

Note: Please ensure that correct colour name is ordered as subsequent exchange is **not** possible if incorrect colour is ordered. N.B. Check colour match prior to spraying on car.

Stone chip repair kits include all you need to carry out a professional stone chip repair: 3M 'Finesse It' finishing block, feather-edging discs and correct grade rubbing compound to flatten and polish. One can of touch up paint to your body colour is optionally available as part of the kit.

- 3 A055 Stone Chip Repair Kit A/R] Does not include touch up paint -
please order separately



WHITE	YEAR
Old English	55 - 58
Old English	58 - 68
Snowberry	56 - 70
Glacier	69 - 77
Pendelican	80 on
BL White	77 on

BLACK all years

GREY	YEAR
Court	56 - 59
Birch	55 - 69
Yukon	56 - 59
Twilight	55 - 59
Farina	58 - 60
Mirage	73 - 77
Grampian	73 - 69
Chelsea	54 - 67
Carlton	58 - 71
Dove	59 - 68
Rose Taupe	56 - 69
Pewter Met	80 on
PRIMER	all years

GREEN	YEAR
Island	55 - 68
Mallard	71 - 74
Racing Light	69 - 69
Racing Dark	63 - 71
Tundra	73 - 77
Brooklands	75 - 78

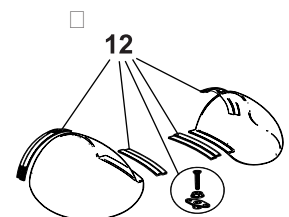
BEIGE/BROWN	YEAR
Bedouin	70 - 72
Beige Met	66 - 69
Bracken	73 - 77
Russet	75 on
Bronze	80 on

BLUE	YEAR
Speedwell	57 - 61
Mineral	58 - 69
Midnight	70 - 74
Iris 58 - 67	
Smoke	59 - 71
Teal	70 - 75
Bermuda	61 - 71
Riviera	64 - 69
Aqua	69 - 73
Tahiti	74 - 78
Aconite	73 - 74
Pageant	77 on
Riviera Met	66 - 69

YELLOW	YEAR
Primrose	65 - 71
Bronze	69 - 74
Harvest	71 - 75
Sandglow	75 - 80
Citron	73 - 77
Chartreuse	75 - 78
Inca	76 - 80
Snapdragon	79 on

RED	YEAR
Damask	55 - 78
Tartan	58 - 69
Blaze	70 - 73
Chariot MGA	59 - 62
Black Tulip	71 - 74
Flame	69 - 73
Vermillion	77 on
Flamenco	74 - 78
Carmine	76 on
Orient MGA	55 - 59
Cherry	59 - 61

© 2008 MGOC Spares Ltd





**MGB
& GT
1800**



- | | | | | |
|---|------|--------------------|--------|---|
| 1 | M001 | Club roll over bar |1 | 1962-70. For cars with packaway or Deluxe (grey frame) folding hood |
| 1 | M002 | Club roll over bar |1 | 1971 on. For cars with black frame folding hood |

Club roll over bars feature strong twin tubular steel construction. All fixings included for D.I.Y installation. Tailored removable covers in a choice of colours are also available separately.

- | | | | | |
|---|-------|------------------------|--------|--|
| 2 | M001A | Roll bar cover - Black |1 | |
| 2 | M001B | Roll bar cover - Blue |1 | |
| 2 | M001M | Roll bar cover - Red |1 | |
| 2 | M001W | Roll bar cover - White |1 | |

- | | | | | |
|---|------|-------------------------------|--------|--|
| 3 | H080 | Club spoiler - Special Tuning |1 | |
|---|------|-------------------------------|--------|--|

The Club spoiler is based on the Abingdon Special Tuning Department aerodynamic design for improved roadholding and engine cooling. Prepared ready to take primer and colour top coat, it is easily fitted as a replacement front valance.

- | | | | | |
|---|------|-------------------|--------|--|
| 4 | H081 | Club lamp spoiler |1 | |
|---|------|-------------------|--------|--|

Based on the Abingdon Special Tuning spoiler, this strong and durable fibre glass spoiler features the new concept of recesses into which driving or fog lamps may be fitted. Lamps and wiring kit not included - please see the front lamps section of this catalogue for details.

- | | | | | |
|---|------|----------------------|--------|--|
| 5 | H082 | Spoiler - L.E. style |1 | |
|---|------|----------------------|--------|--|

As fitted to the 1980 Limited Edition MGB model, now available in fibre glass.

- | | | | | |
|---|------|-------------------------------------|--------|----------|
| 6 | H092 | Boot lid spoiler - Competition type |1 | Roadster |
| 6 | H091 | Tailgate spoiler - Competition type |1 | GT |

Fibre glass replicas of the panels fitted to the famous Sebring MGCs are available - the ultimate body building kit for your MG!

- | | | | | |
|---|------|-------------------------------|--------|----------|
| 7 | H095 | Sebring wing kit - Four wings |1 | Roadster |
| 8 | H096 | Sebring wing kit - Four wings |1 | GT |
| 9 | H090 | Sebring rear valance |1 | |

As fitted to many competition MGBs and MGCs in the 1960s, improving aerodynamics and appearance.

- | | | | | |
|----|------|-----------------------|--------|--|
| 10 | H085 | Sebring front valance |1 | |
|----|------|-----------------------|--------|--|

This valance first appeared on the Sebring MG racing cars and features air scoops to direct air towards the front brakes. May be used as part of a Sebring conversion, or as a replacement front valance.

- | | | | | |
|----|---------|--------------------------------------|--------|--|
| 11 | AJJ3307 | Sebring headlamp cowls - Pair |1 | |
| 12 | AJJ3308 | Fitting kit - Sebring headlamp cowls |1 | |

**Telephone: 01954 230928 Fax: 01954 231923, Email: sales@mgocspares.co.uk
Buy Online at www.mgocspares.co.uk**



MGB & GT 1800



1



2



3



5



6



4



8



9



10



11



7



18



20

21



22

19

23



15



14



13



24



25



26



27



17

16



12



28



29



30



31



32



33



43

39

38

42



35



34



44



62



45

46

47

48

49

50

51

52



53



54

55

56

57

58

59

60



61

Servicing your MGB?

Thousands of MG owners derive a great deal of pleasure from carrying out their own routine MG servicing, and when using an MG Service Kit all necessary components are to hand at a fraction of the usual retail price. MG 12,000 Service Kits are tailored to suit various MGB models and comprise all that is necessary to carry out a full 12,000 mile service, even down to the originally specified Castrol oil. Components include: Spark plugs, Distributor points, Condenser, Fuel filter, Fan belt, Air Filters (where specified), Rocker cover gasket, Oil breather cap, Oil filter, 4.5 litres Castrol XL20w/50 engine oil, 125ml SU Carb oil.

1	BSK1C	12K service kit - With Castrol oil 1	1962-65; includes air filters
1	BSK1CA	12K service kit - With Castrol oil 1	1962-65; excludes air filters
1	BSK2C	12K service kit - With Castrol oil 1	1965-70; includes air filters
1	BSK2CA	12K service kit - With Castrol oil 1	1965-70; excludes air filters
1	BSK3C	12K service kit - With Castrol oil 1	1970-74; includes air filters
1	BSK3CA	12K service kit - With Castrol oil 1	1970-74; excludes air filters
1	BSK4C	12K service kit - With Castrol oil 1	1975-76; includes air filters
1	BSK4CA	12K service kit - With Castrol oil 1	1975-76; excludes air filters
1	BSK5C	12K service kit - With Castrol oil 1	1976 on; includes air filters
1	BSK5CA	12K service kit - With Castrol oil 1	1976 on; excludes air filters

2 G770 Castrol Valvemaster Plus A/R

Reduces pinking and knocking or the need to retune the engine when using unleaded fuel (raises octane rating). Treats 250 litres of fuel.

3 G600 Castrol Classic XL 20w/50 - 4.5 Litres . A/R

Low detergent classic multigrade engine oil

4 G610 Castrol Classic XL 20w/50 - 25 Litres . A/R

Supplied with 1 pint jug and drum tap

XL 20w/50, XL30, XXL40 and GP50 are all available in home workshop 25 litre drums, supplied with quick-flow pouring tap and Castrol pouring jug. Free delivery to all UK Mainland customers when spending over £30.00.

5 G605 Castrol Classic R40 SAE40 - 4.5 Litres A/R

High performance castor-based engine oil with distinctive aroma

6 2052/7065 Castrol Edge Sport 0w/40 - 4 Litres ... A/R

Fully synthetic oil for high performance and modified modern engines

2052/7112 Castrol Edge Sport 0w/40 - 1 Litre ... A/R

2053/7065 Castrol Edge Sport 10w/60 - 4 Litres .. A/R

Race-proven for highly stressed competition and modified older engines

2053/7112 Castrol Edge Sport 10w/60 - 1 Litre .. A/R

G657 Castrol Running In Oil - 5 Litres A/R

First fill for remanufactured engines

7 G700 on Castrol Classic Pouring Jug A/R

Half, one or two pint sizes, or set of three

8 G621 Castrol EP90 Gear Oil - 1 Litre A/R

For gearboxes and differentials requiring SAE90

9 G620 Castrol EPX80w/90 Gear Oil - 1 Litre . A/R

For differentials requiring SAE80w/90

10 1831/7184 Castrol SMX-S Gear Oil - 1 Litre A/R

Fully synthetic SAE75w/85 gear oil

11 1848/7160 Castrol Hypoy LS Gear Oil - 1 Litre ... A/R

Mineral based SAE90 gear oil for limited slip differentials in fast road use

12 1631 Castrol LM Lithium Base Grease - 500g A/R

Multi-purpose grease, ideal for wheel bearings etc.

13 1635/7318 Castrol LMX Lithium Base Grease - 400gA/R

High melting point multi-purpose grease, ideal for sustained high

14 1645 Castrol Moly Grease - 500g A/R

temperature work

15 5900 Castrol Red Rubber Grease - 500g ... A/R

Molybdenum grease for heavy load applications, knng pins etc.

16 1726/8941 Castrol DWF Multi Purpose - 400ml ... A/R

Prevents brake/clutch and suspension rubber components from swelling

17 1794/8941 Castrol Silicone Lubricant - 400ml A/R

or hardening

Superior water dispersant, penetrant and lubricant
General purpose spray designed specifically for plastics and rubber (and domestic curtain tracks!)

In addition, lifestyle accessories each bearing the classic Castrol logo tell others that you use the best lubricants in your MG:

18 G750 Race Cap - Castrol A/R

100% cotton with embroidered logo

19 G725 on Lapel Badge - Wakefield Castrol A/R

Enamelled Chrome. Available in different sizes

20 G720 Key Fob - Wakefield Castrol A/R

Enamelled Chrome. With leather fob

21 G752 Woven Race Decal - Castrol Classic .. A/R

Cloth overall motif in 60s racing theme

22 G732 on T Shirt - Castrol Classic A/R

Quality cotton in M, L or XL sizes

23 STR720 on Mechanic's Overalls - Castrol Classic . A/R

Made in white polyester and cotton, pre double-shrunk and with the Castrol Classic logo printed on front and rear. Available in sizes 36", 40", 44", 48" and 56".

You can choose from a range of brake/clutch fluids specially selected for road or competition use:

24 1774 Castrol - Response - Dot 4 - 1 Litre ... A/R

Excellent anti-corrosion and anti-vapour lock characteristics

24 1774/6610 Castrol - Response - Dot 4 - 500ml ... A/R

Covers Dot 4 and Dot 5.1 specs. Suitable for high performance vehicles

25 1775 Castrol - Response - Super Dot 4 - 1 Litre A/R

For competition use and where extreme braking conditions are common

26 1767 Castrol - SRF - 1 Litre A/R

27 F195 Silicone Brake Fluid - 1 Litre A/R

Non-hygroscopic and non-paint stripping alternative to normal brake fluid

27 F196 Silicone Brake Fluid - 500ml A/R

28 G231 Water Wetter - 335ml Bottle A/R

Lowers engine temperature by up to 15°C. One bottle treats 15 litres of coolant.

29 G230 Forlife Radiator Fluid A/R

Protects against corrosion and scale, preserves hoses and gives frost protection down to -42°C. Maintains properties for 10 years.

30 1729/8760 Castrol Anti-Freeze - 1 Litre A/R

For all year round use as anti-freeze and summer coolant in cast iron or aluminium engines. A 3:1 mix will protect down to -17°C.

31 G649 Castrol Brake Cleaner - 400ml Aerosol A/R

Fast drying, low odour. Compatible with metal and non-metallic parts

32 BCC500 S.U. - Carb Cleaner - Aerosol 500ml .. A/R

Removes gums and varnishes. Frees choke butterflies

33 BDR125 S.U. - Damper Oil - 125ml A/R

For use in damped S.U. and Zenith carburetters

34 C097 Exhaust Jointing Seal A/R

35 A140 Wellseal Jointing Compound - 100ml . A/R

Non-hardening, non-flammable engine building sealant, as traditionally

36 A120 Blue Hylomar Sealant - 40g A/R

used by most British motor manufacturers

37 A121 Blue Hylomar Sealant - 100g A/R

Non-setting gasket and sealing compound resistant to oils and coolants

Telephone: 01954 230928 Fax: 01954 231923, Email: sales@mgocspares.co.uk

Buy Online at www.mgocspares.co.uk



MGB & GT 1800



1



2



3



5



6



4



8



9



10



11



7



18



22



20



21

19

23



15



14



13



24



25



26



27



17



16



12



28



29



30



31



32



33



36



43



39



38



42



44



35



34



62



46

47

48

49

50

51

52

45



53

54



55

56

57

58

59

60



61



**MGB
& GT
1800**



38	A125	Hermetite Red Sealant - 50g	A/R] The original semi-hardening gasket joining compound
39	A130	Hermetite Instant Gasket - 38g	A/R	
40	A131	Hermetite Instant Gasket - 85g	A/R] Orange RTV silicone rubber making formed-in-place gaskets
41	A135	Hermetite Green Sealant - 40g	A/R	
42	A150	Bearing Fitting Adhesive - 3ml	A/R] Hard setting gasket compound
43	A155	Nutlock Adhesive - 3ml	A/R] For retaining bearings, bushes and splines For threadlocking of nuts, bolts and screws

Forte Liquid Maintenance is a range of automotive problem solving treatments for professional or home use, for classic and modern MGs:

44	A500	Forte Gas Treatment - 400ml	A/R
44	A501	Forte Carb and Injector Cleaner - 400ml	A/R
44	A502	Forte Diesel Conditioner - 400ml	A/R
44	A505	Forte Diff and Gear Treatment - 125ml	A/R
44	A507	Forte Seal Conditioner - 125ml	A/R
44	A510	Forte Motor Flush - 400ml	A/R
44	A512	Forte Oil Treatment - 400ml	A/R
44	A513	Forte Oil Fortifier - 400ml	A/R
44	A514	Forte Top End Treatment - 400ml	A/R
44	A520	Forte Radiator Stop Leak - 500ml	A/R
44	A521	Forte Cooling System Flush - 500ml	A/R
44	A522	Forte Cooling Conditioner - 500ml	A/R
44	A530	Forte Auto Gearbox Treatment - 125ml	A/R
44	A540	Forte Bio Degreaser - 400ml	A/R
44	A550	Forte Power Steering Treatment - 75ml	A/R
44	A560	Forte Air Intake Cleaner - 400ml	A/R
44	A570	Forte Air Conditioning Treatment - 200ml	A/R

Keep your hood and tonneau cover like new with a hood care kit, comprising ultraproofer, shampoo, cleaner, colour reviver, protector and window polish.

45	A100A	Hood Care Kit - Renovo - Black	1] Not included in hood care kits
45	A100N	Hood Care Kit - Renovo - Navy	1	
46	A104	Vinyl Ultraproof Protector - 500ml	A/R	
47	A103	Vinyl Cleaner - Renovo - 500ml	A/R	
48	A109	Fabric Shampoo - Renovo - 500ml	A/R	
49	A110	Fabric Colour Reviver - Black - 1 Litre	A/R	
50	A116	Hood Window Polish - Renovo - 50ml	A/R	
51	A115	Hood Window Polish - Rnovo - 100ml	A/R	
52	A105	Fabric Ultraproof Protector - 1 Litre	A/R	
53	A102	Waterproofer - Fabsil - Clear Silicone	A/R	

The Turtle Wax Platinum Series range of car care products is highly recommended and is available as individual products or as a valeting kit comprising car wax, car wash, tar, tree sap and insect remover, wheel cleaner (chrome friendly), tyre dressing and cockpit shine, each in 500ml containers. Further Turtle Wax car care products are also available for chrome polishing, leather and other upholstery cleaning and conditioning etc. Please contact MGOC Spares for details.

54	A400	Club Car Valeting Kit	A/R] Cleans, polishes and protects alloy, chrome or high polish wheels, all in one application The classic chrome cleaner. Also restores and polishes
55	A435	Tyre Dressing - Turtle Wax - 500ml	A/R	
56	A450	Cockpit Shine - Turtle Wax - 500ml	A/R	
57	A460	Tar, Sap and Insect Remover - 500ml	A/R	
58	A405	Car Wax - Turtle Wax - 500ml	A/R	
59	A445	Wheel Cleaner - Turtle Wax - 500ml	A/R	
60	A425	Car Wash - Turtle Wax - 500ml	A/R	
61	A095	Nano 8 Alloy Wax - 500ml	A/R	
62	A090	Solvol Autochrome Metal Polish - 100g	A/R	

**Telephone: 01954 230928 Fax: 01954 231923, Email: sales@mgocspares.co.uk
Buy Online at www.mgocspares.co.uk**

In addition to the periodic maintenance the following checks should be made weekly:

- Check/top up engine oil
- Check/top up brake fluid reservoir
- Check/top up battery electrolyte
- Check/top up cooling system
- Check/top up washer reservoir
- Check function of original equipment, i.e. exterior lamps, wipers, and warning indicators
- Check tyres for tread depth, visually for external cuts in fabric, exposure of ply or cord structure, lumps and bulges.
- Check/adjust tyre pressures, including spare. Check tightness of wheel fastenings.

MAINTENANCE INTERVALS

Carry out the services indicated by X in column

A at 6,000-mile (10000-km) or 6-month intervals

B at 12,000-mile (20000-km) or 12-month intervals

Items included in the 3,000-mile (5000-km) or 3-month interval Inspection Check are indicated in **column C**

ENGINE	A	B	C
Check/top up engine oil - Castrol XL20W 50		X	
Renew engine oil and filter	X	X	
Renew carburettor air cleaner elements		X	
Top up carburettor piston dampers - SU damper oil	X	X	
Check/adjust carburettor idle speed and mixture settings*	X	X	
Renew fuel filter		X	
Renew engine filler cap		X	
Check/adjust valve clearances		X	
Check cooling/heater systems for leaks and hoses for security and condition	X	X	X
Check/top up cooling system - Forlife/antifreeze	X	X	X
Check/adjust operation of screen washers and top up reservoir - Castrol screen wash	X	X	X
Check driving belt; adjust or renew	X	X	X
Lubricate accelerator control linkage (and pedal pivot) - check operation	X	X	
IGNITION			
Clean/adjust spark plugs	X		
Renew spark plugs		X	
Check distributor points; adjust or renew	X	X	
Lubricate distributor	X	X	
Check/adjust ignition timing and distributor characteristics using electronic equipment*	X	X	
TRANSMISSION			
Check/top up gearbox (XL20W 50and rear axle oil (EP80/90)	X	X	
Check/top up clutch fluid reservoir - Castrol Response Dot4	X	X	X
Lubricate propeller shaft	X	X	
Gearbox with - drain, clean filters, and fill with new oil			
STEERING AND SUSPENSION			
Check steering rack for oil leaks	X	X	X
Check hydraulic dampers for fluid leaks - Castrol medium damper oil	X	X	X
Check condition and security of steering unit joints and gaiter	X	X	X
Check/adjust front wheel alignment*	X	X	
Lubricate all grease points, excluding hubs - Castrol LM Grease	X	X	
BRAKES			
Check visually hydraulic pipes and unions for chafing, leaks and corrosion	X	X	X
Check/top up brake fluid reservoir - Castrol Response Dot 4/ Silicone brake fluid	X	X	X
Check/adjust foot brake and hand brake operation	X	X	X
Inspect brake pads for wear, discs for condition	X		
Inspect brake linings/pads for wear, drums/discs for condition		X	
Lubricate hand brake mechanical linkage (and cables)	X	X	
Clean servo filter element		X	
ELECTRICAL			
Check function of original equipment, i.e. interior and exterior lamps, screen wipers, horns, and warning indicators	X	X	X
Check/top up battery electrolyte	X	X	X
Clean and grease battery connections	X	X	
Check/adjust headlamp alignment*	X	X	X
Check, if necessary renew, windscreen wiper blades	X	X	X
EXHAUST, FUEL AND CLUTCH PIPES			
Check clutch pipes for leaks and chafing	X	X	X
Check fuel system for leaks, pipes and unions for chafing and corrosion*	X	X	X
Check exhaust system for leaks and security	X	X	X
Check fuel filler tank connections	X	X	X

Note: Ensure that the car is standing on a level surface when checking the oil levels.

Weekly

- (1) **ENGINE.** Check the oil level with the dipstick, and top up if necessary. After switching off the engine always allow a short period of time to elapse before checking the oil level.

Every 3,000 miles (5000km) or 3 months Optional Lubrication

- (1) **ENGINE.** Drain and refill with new oil.

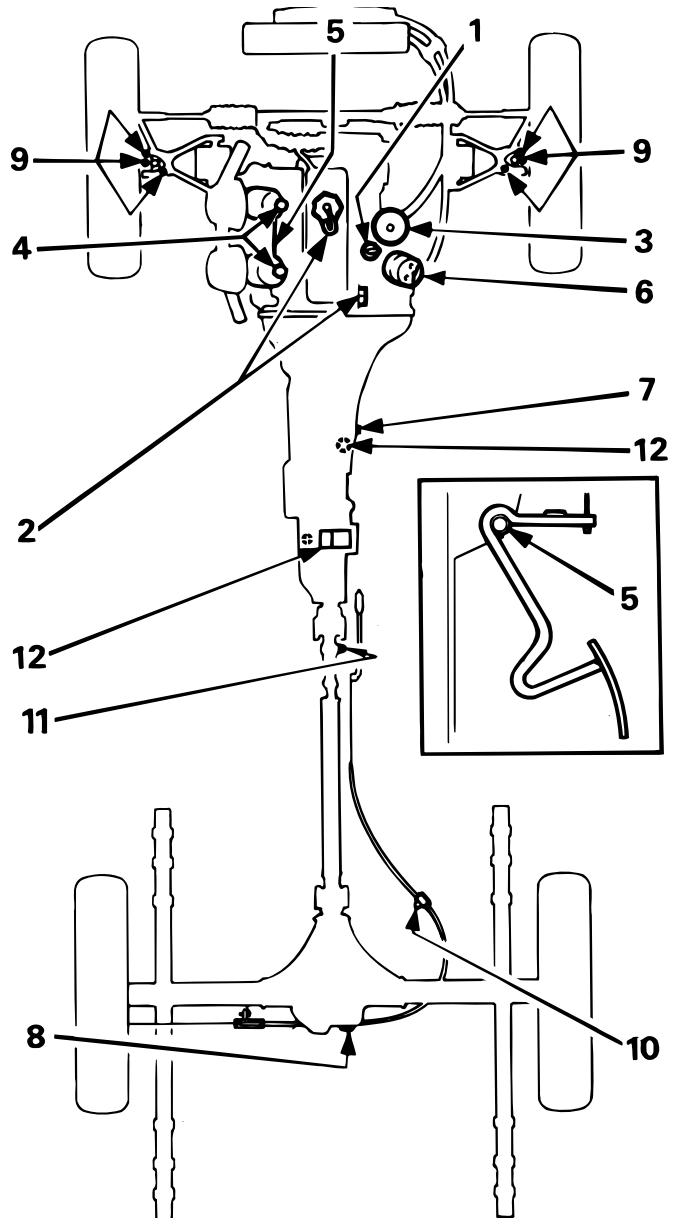
Every 6,000 miles (10000 km) or 6 months

- (2) **ENGINE.** Drain and refill with new oil.
 (3) **ENGINE OIL FILTER.** Remove the disposable cartridge, fit new.
 (4) **CARBURETTORS.** Top up the carburettor piston dampers.
 (5) **ACCELERATOR.** Lubricate accelerator control linkage, cable and pedal fulcrum.
 (6) **DISTRIBUTOR.** Lubricate all parts as necessary.
Do not oil the cam wiping pad.
 (7) **GEARBOX AND OVERDRIVE.** Check oil level, and top up if necessary.
 (8) **REAR AXLE.** Check oil level, and top up if necessary.
 (9) **FRONT SUSPENSION** (6 nipples). Give three or four stokes with a grease gun.
 (10) **HANDBRAKE CABLE** (1 nipple). Give three or four stokes with a grease gun.
AND MECHANICAL LINKAGE
 (11) **PROPELLER SHAFT** (1 nipple). Give three or four stokes with a grease gun.

LOCKS AND HINGES. Lubricate the bonnet release safety catch and all locks and hinges.
Do not oil the steering lock.

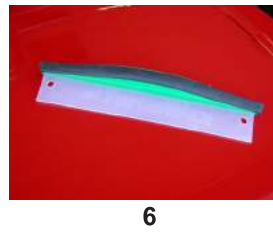
Every 24,000 miles (40000 km) or 24 months

- (12) **GEARBOX WITH OVERDRIVE.** Drain, clean overdrive filters and refill with new oil.





MGB & GT 1800



© 2008 MGOC Spares Ltd

Telephone: 01954 230928 Fax: 01954 231923, Email: sales@mgocspares.co.uk



**MGB
& GT
1800**



- | | | | | |
|---|-------|---|---|--|
| 1 | F199 | Brake Hose Clamp | 1 | |
| 2 | T4 | Girling Shoe Horn | 1 | Brake shoe lever tool makes easy work of brake shoe replacement |
| 3 | F197 | Pipe Bending Tool - Small | 1 | |
| 3 | F198 | Pipe Bending Tool - Large | 1 | |
| 4 | T2 | Girling Retraction Tool | 1 | Designed to replace brake pads without damaging calliper pistons |
| 5 | Z251 | Brake Adjusting Spanner | 1 | Turns 1/4" square and 5/16" square brake shoe adjusters |
| | | | | |
| 6 | A063 | Squeegee - Silicone | 1 | |
| The silicone squeegee effortlessly moulds itself to the contours of your car, removes water in one-third the time of a chamois leather, and will not scratch your car's finish. Also great for clearing car windows fast on damp mornings. | | | | |
| 7 | F305 | Car Polisher | 1 | |
| This mains-operated orbital motion car polisher has a 24cm polishing head supplied with a cotton bonnet for applying polish and a soft wool bonnet for buffing. This is the effortless way to restore your paintwork to a showroom shine. | | | | |
| | | | | |
| 8 | Z015 | Carburettor Tuning Tool Kit - SU | 1 | Original style set of exactly the right tools for your carburettors |
| 9 | Z067 | Panel Cutter | 1 | Attaches to power drill and cuts cleanly through steel body panels |
| 10 | Z096 | Scissor Jack - 1000Kg capacity | 1 | Lift height from 180mm to 350mm |
| 11 | Z090 | Trolley Jack - 2 Ton Capacity | 1 | Ideal for home workshop use |
| 12 | Z094 | Axle Stands - Pair - 1500Kg Capacity | 1 | Adjustable to maximum height of 370mm |
| 13 | Z091 | Bottle Jack - Hydraulic - 2000Kg Capacity | 1 | Lift height from 181mm to 346mm |
| 14 | Z093 | Extending Wheel Nut Wrench | 1 | Extends to 530mm for more torque and ease of operation |
| 15 | Z092 | Wheel Nut Wrench - Four Way | 1 | |
| 16 | Z097 | Wheel Chocks - Pair | 1 | For increased safety when jack is used |
| 17 | Z195 | Tyre Gauge - Angled Fitment | 1 | Accurate tyre pressure measurement up to 60 p.s.i. |
| 18 | Z095 | Foot Pump | 1 | |
| 19 | Z120 | Mechanics Mate Wing Cover - Non-Slip A/R | 1 | 76cm long |
| 19 | Z121 | Workshop Mate Wing Cover - Non-Slip A/R | 1 | Full wing length - 120cm long |
| Mechanics Mate and Workshop Mate covers are made from machine-washable nylon with a non-slip padded backing and featuring an MG logo. Choose from 76 or 120cm long versions. | | | | |
| | | | | |
| 20 | Z222 | Flexi Driver - Hose Clip Fastening | 1 | Easy way to deal with hard-to-get-to cooling hose clips |
| 21 | Z250 | Socket Set - 3/8" Drive - 42 Piece Set | 1 | |
| 22 | Z215 | Crimp Terminal Set - 150 Pieces | 1 | Includes selection of ring, spade, fork and tube connectors |
| 23 | Z223 | Punch Plier - Revolving 6 Size Punch Head | 1 | Ideal for piercings for hood fixings and in other fabrics, plastics or rubbers |
| 24 | Z224 | Rivet Gun | 1 | For most break-stem and pop rivets in automotive use |
| 25 | Z225 | Grease Gun - 300bar/4350psi pressure | 1 | For lubrication of steering king pins, handbrake cable etc. |
| 26 | Z226 | Oil Can - Force Feed | 1 | |
| 27 | Z200 | MG Tool Roll - Includes 15 Tools | 1 | |
| Specially selected for MG use, the canvas 15 compartment tool roll contains the following quality tools: 7" combination pliers, 6 imperial spanners in the most commonly used sizes, spark plug wrench, spark plug brush, Posidrive and slotted screwdrivers, feeler gauge set, tyre gauge, circuit tester and adjustable wrench. | | | | |
| | | | | |
| MGOC Spares offer the range of Gunsons tuning products to help tune your MG for peak economy and performance: | | | | |
| 28 | Z013 | Tappet Adjuster - Gunsons 'Clik-Adjust' | 1 | Micrometer tappet adjuster for absolutely precise clearance |
| 29 | Z011 | Advance Xenon Timing Light - Gunsons | 1 | Stroboscopic timing light powered by the car battery for perfect dynamic timing |
| 30 | Z010 | Gastester - Gunsons | 1 | Analyses exhaust CO level |
| 31 | Z004 | Carbalancer - Gunsons | 1 | Helps equalise air flow through multiple carburettors |
| 32 | Z005 | Colortune - Gunsons | 1 | Use Colortune to ensure perfect air/fuel mixture |
| | Z005A | Adaptor Kit - 10mm - Colortune | 1 | |
| | Z005B | Adaptor Kit - 12mm - Colortune | 1 | |
| | Z005E | Adaptor Kit - 18mm - Colortune | 1 | |
| 33 | Z009 | Hi-Gauge - Gunsons | 1 | For compression testing cylinders |
| 34 | Z001 | Lo-Gauge - Gunsons | 1 | This useful vacuum gauge has several scales for checking fuel pumps, vacuum servos, multiple carburettors, engine economy etc. |
| 35 | Z012 | Eezibleed - Gunsons | 1 | Automatic hydraulic brake and clutch bleeding kit |

**Telephone: 01954 230928 Fax: 01954 231923, Email: sales@mgocspares.co.uk
Buy Online at www.mgocspares.co.uk**

TERMS & CONDITIONS OF SALE

1. All orders must be paid for prior to despatch unless other arrangements have been made.
2. All products supplied carry the manufacturer's warranty. This does not affect your statutory rights. When notifying a claim for faulty products, the original invoice number must be quoted.
3. All parts offered subject to availability. We reserve the right to alter prices without notice. All part numbers, illustrations and photographs used in our catalogues are intended for reference/identification purposes only, and are not necessarily an exact representation of the goods supplied. Whilst we make every effort to ensure the accuracy of product descriptions in our catalogues, they are based upon information supplied by the manufacturer/distributor at the time of publication.
4. All mail order parts are insured in transit either by ourselves, or our appointed carrier. Claims for shortages or damage must be notified to us within 24 hours of timed receipt of order.
5. We are unable to replace damaged goods if they have been signed for "Received in Good Condition". Do not sign until you have verified the condition of the consignment.
6. Retention of goods for a period of seven days or fitment will be taken as acceptance of the above conditions.
7. All goods supplied remain the property of MGOC (Spares) Ltd, until paid for in full.

WARRANTY

All products are fully warranted against defects in materials and workmanship. Please contact us immediately if any problem occurs within the warranty period. (12 months from the date of invoice) Claims are limited to the cost of the warranted component and do not extend to cover garage labour, delivery or any other consequential costs. No warranty claim will be accepted if failure is caused by misuse, neglect, overheating (engines), incorrect installation, or failure of a related component. Any replacement under warranty will have the benefit of the outstanding balance of the warranty given with original product. With any claim or correspondence, a copy of the purchase invoice must be produced. The warranty is in addition to, and does not detract from your statutory right as a consumer.

OTHER RETURNS FOR CREDIT OR EXCHANGE

To return any item you will need a Return Goods Authorisation number tel: 01954 230928. Goods returned without authorisation cannot be processed.

Where we have correctly supplied a part as ordered, but find it is not the one you really needed, you may return it for exchange. If you require credit instead of exchange, there is a returns handling charge (usually 15%) to cover administration and stores costs. This charge is waived if the value of the return is offset against another order. The original invoice must accompany the goods returned and be within 1 month of purchase. Every effort is made to process returns as quickly and efficiently as possible, though in busy periods this could take up to 2 weeks. Please supply as much information as possible when making a return i.e. Membership No, Invoice No, reason for return etc, otherwise a delay may be incurred.

EXCHANGE DEPOSITS

When reconditioned or new products are sold on an exchange basis, an exchange deposit (sometimes called a surcharge) is applied. This is refunded to you when your old unit is received by us and checked to establish its suitability for reconditioning. The system allows you to have exchange replacement parts fitted thereby reducing garage bills for specialist reconditioning, and minimises the time your vehicle is off the road. Exchange Deposits are refunded in full except where returned components are incomplete, cracked or broken, thereby rendering them unserviceable for reconditioning. In such cases we reserve the right to retain all or part of the exchange deposit. When returning your old unit, always label it with your name, address, invoice number, and any exchange label provided for that purpose. Make sure old units are drained of oil, water, brake fluid etc. and packed properly for transport. Owing to the rarity of a certain few MG components, these can only be exchanged on a "one for one" basis. It may be that your component will be required for reconditioning and returned to you upon completion.

Continue ►



MGOC Spares and Accessories
recommend and stock the
Castrol Classic range of lubricants.



MG Trade mark reproduced unde BMH licence

© 2018 MGOC Spares Ltd
Octagon House Swavesey
Cambridge
CB24 4QZ

